



US00D567702S

(12) **United States Design Patent**  
**Walters**

(10) **Patent No.:** **US D567,702 S**  
(45) **Date of Patent:** **\*\* Apr. 29, 2008**

(54) **EARRING**

(76) Inventor: **Brian L. Walters**, P.O. Box 603,  
Excelsior, MN (US) 55331

(\*\*) Term: **14 Years**

(21) Appl. No.: **29/279,625**

(22) Filed: **May 4, 2007**

(51) **LOC (8) Cl.** ..... **11-01**

(52) **U.S. Cl.** ..... **D11/53**

(58) **Field of Classification Search** ..... D11/40-47,  
D11/75, 78, 79, 91, 92; 63/12-14.3, 20,  
63/27, 28

See application file for complete search history.

(56) **References Cited**

**U.S. PATENT DOCUMENTS**

|                |         |            |       |        |
|----------------|---------|------------|-------|--------|
| D257,024 S *   | 9/1980  | Barr       | ..... | D11/43 |
| D261,247 S *   | 10/1981 | Epstein    | ..... | D11/75 |
| 4,497,186 A    | 2/1985  | Mason      |       |        |
| D415,446 S *   | 10/1999 | Kattan     | ..... | D11/43 |
| D474,992 S *   | 5/2003  | Deorah     | ..... | D11/40 |
| 6,568,213 B2 * | 5/2003  | Butler     | ..... | 63/27  |
| D541,695 S *   | 5/2007  | Chan       | ..... | D11/91 |
| D542,174 S *   | 5/2007  | Schumacher | ..... | D11/91 |
| D544,394 S *   | 6/2007  | Olsen      | ..... | D11/91 |
| D552,011 S *   | 10/2007 | Kothari    | ..... | D11/91 |

\* cited by examiner

*Primary Examiner*—Louis S Zarfaz

*Assistant Examiner*—Anhdao Doan

(74) *Attorney, Agent, or Firm*—Thomas J. Nikolai; Nikolai & Mersereau, P.A.

(57) **CLAIM**

The ornamental design for the earring, as shown and described.

**DESCRIPTION**

FIG. 1 is a front view of a first embodiment of an earring showing my design;

FIG. 2 is a rear view thereof;

FIG. 3 is a top view thereof;

FIG. 4 is a bottom view thereof;

FIG. 5 is a right view thereof;

FIG. 6 is a front view of a second embodiment of an earring showing my new design;

FIG. 7 is a rear view thereof;

FIG. 8 is a top view thereof;

FIG. 9 is a bottom view thereof;

FIG. 10 is a right view thereof;

FIG. 11 is a front view of a third embodiment of an earring showing my new design;

FIG. 12 is a rear view thereof;

FIG. 13 is a top view thereof;

FIG. 14 is a bottom view thereof;

FIG. 15 is a right view thereof;

FIG. 16 is a front view of a fourth embodiment of an earring showing my new design;

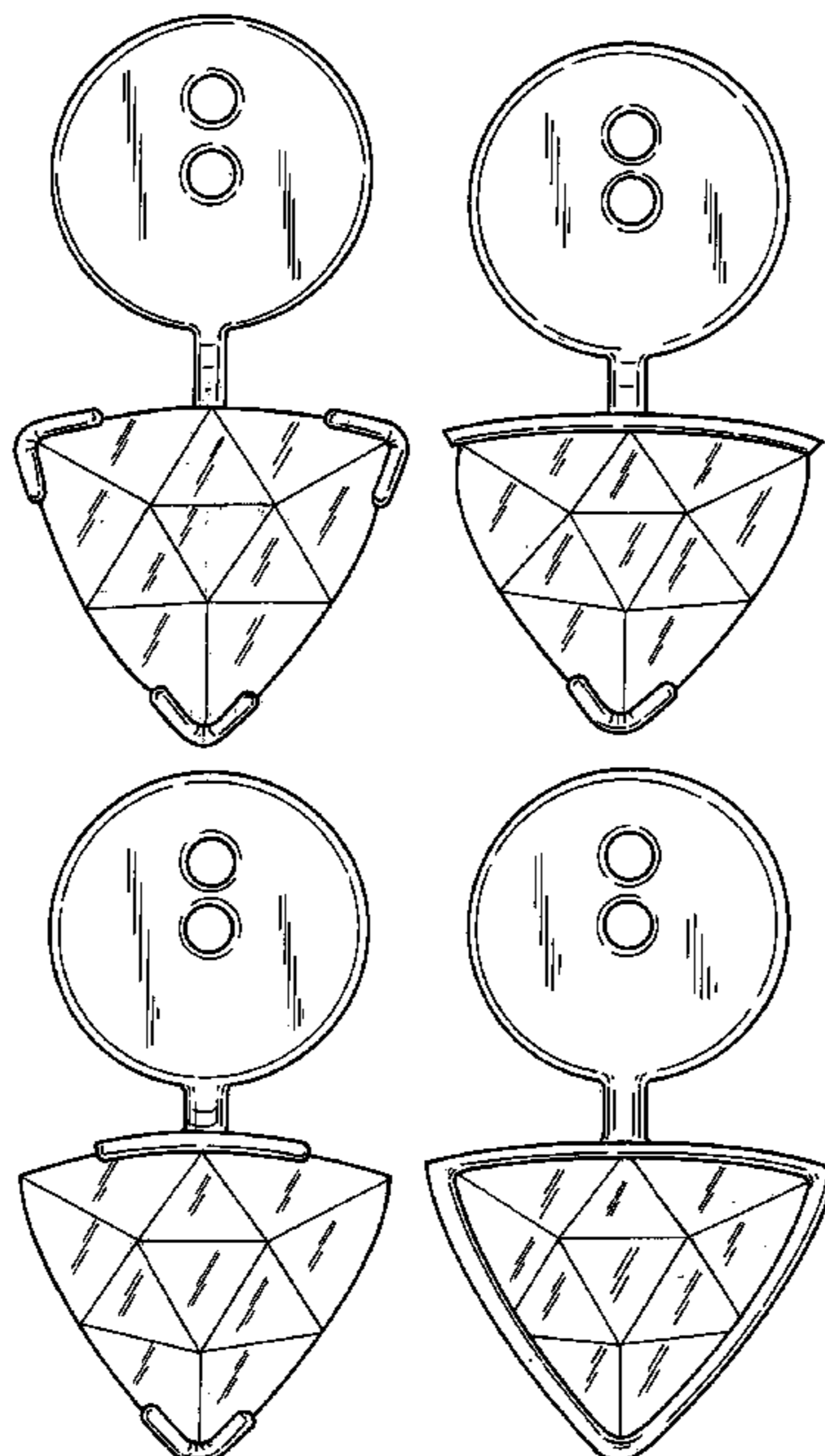
FIG. 17 is a rear view thereof;

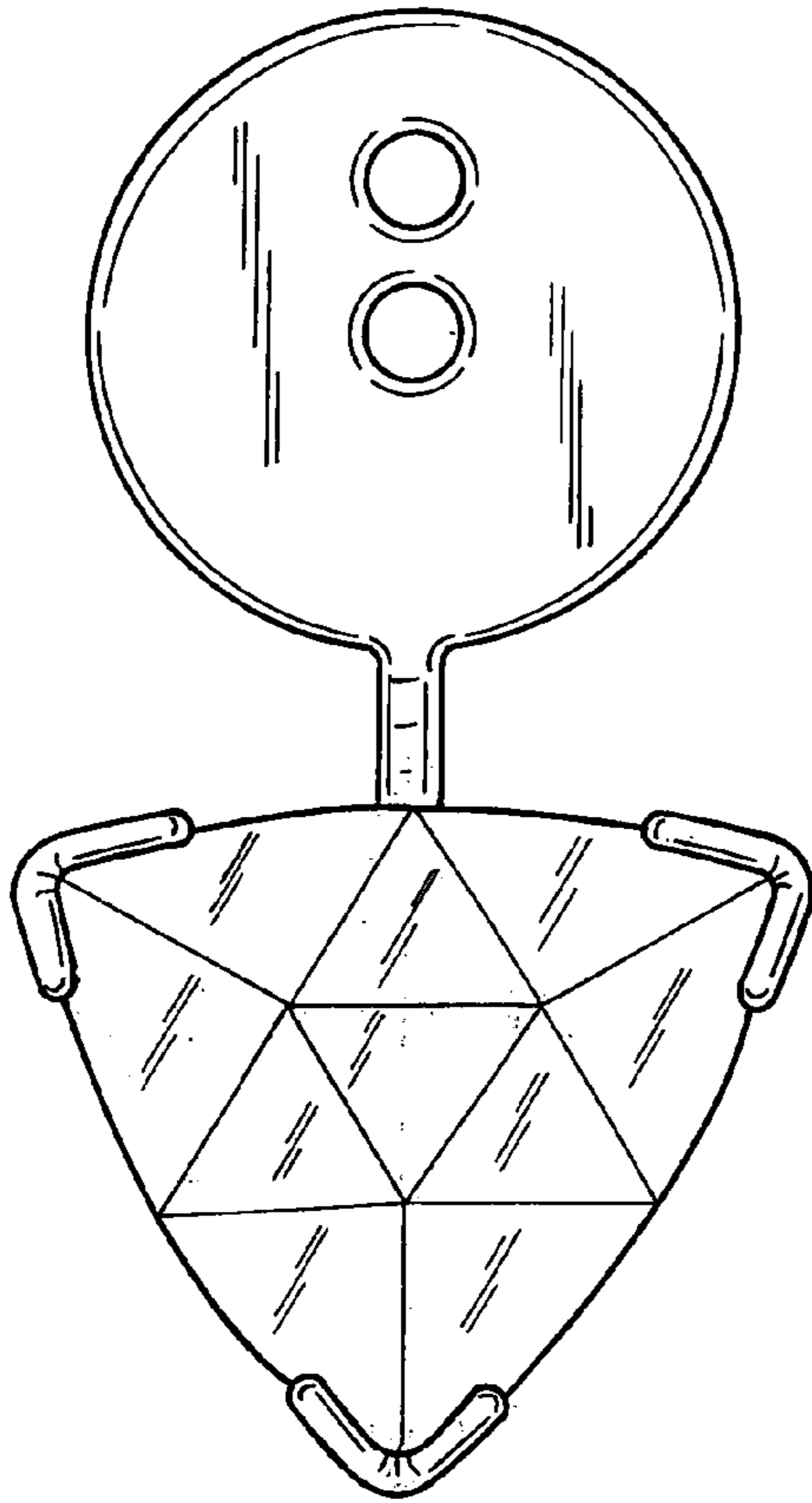
FIG. 18 is a top view thereof;

FIG. 19 is a bottom view thereof; and,

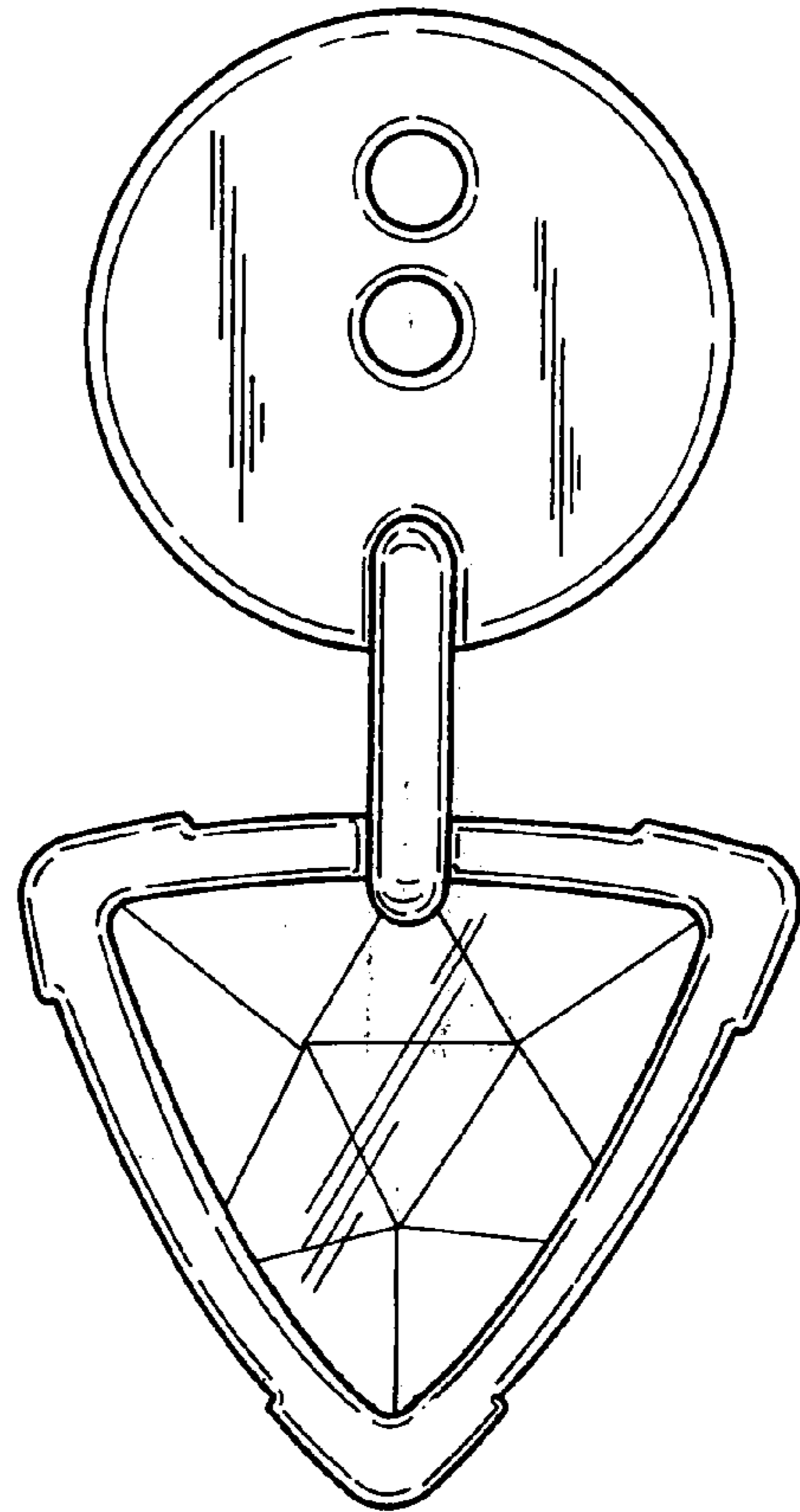
FIG. 20 is a right view thereof.

**1 Claim, 8 Drawing Sheets**

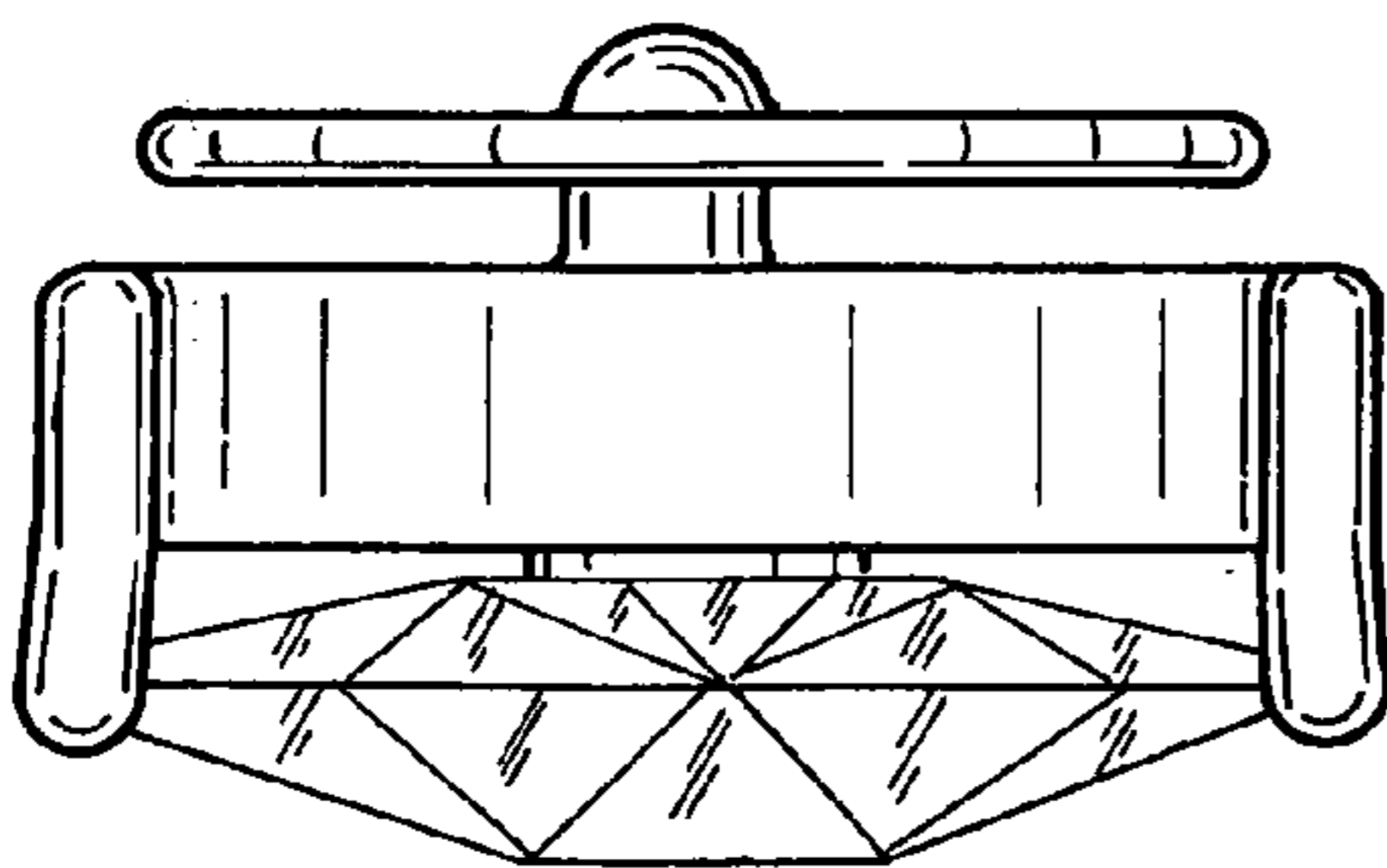




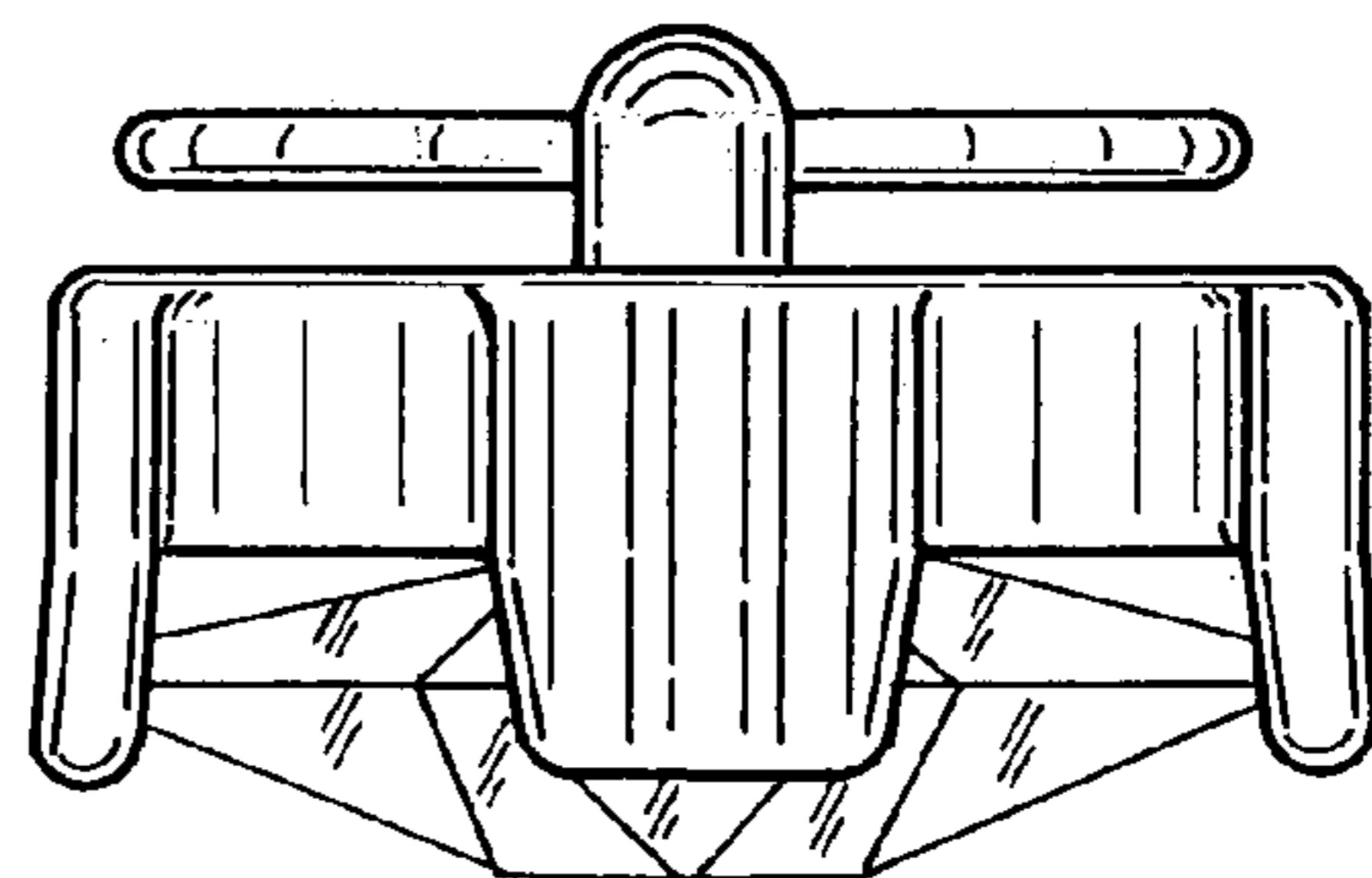
*FIG. 1*



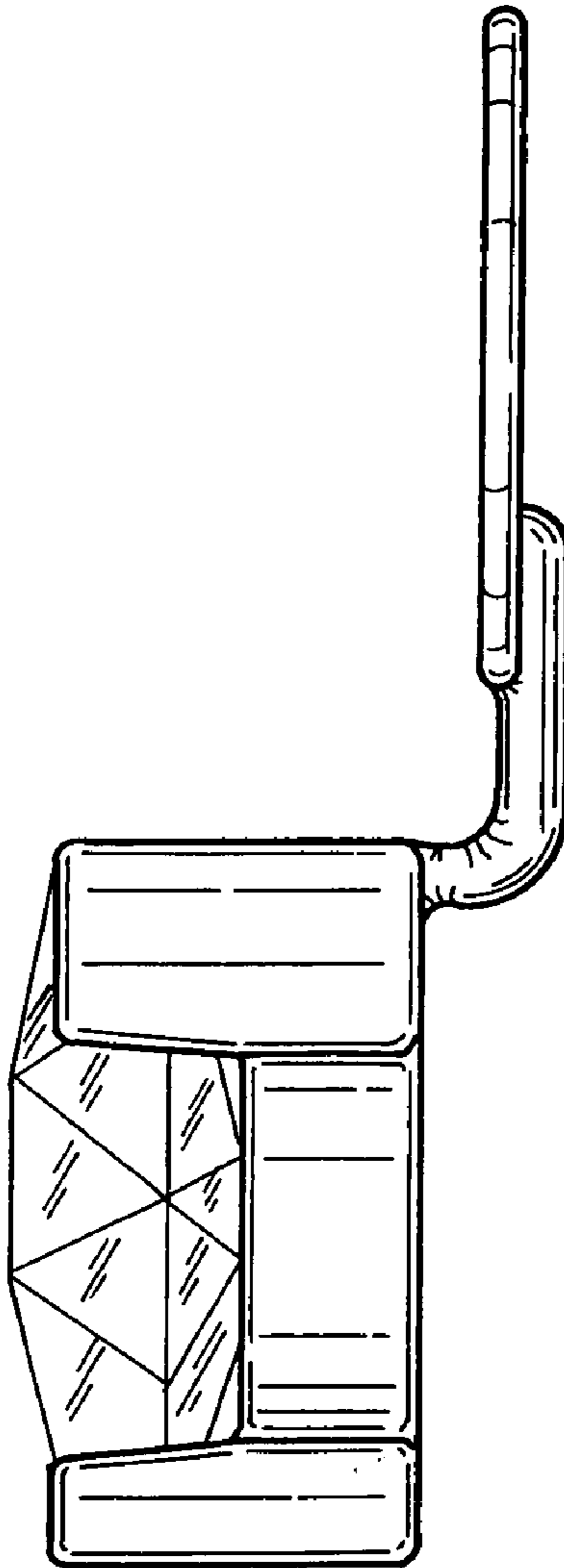
*FIG. 2*



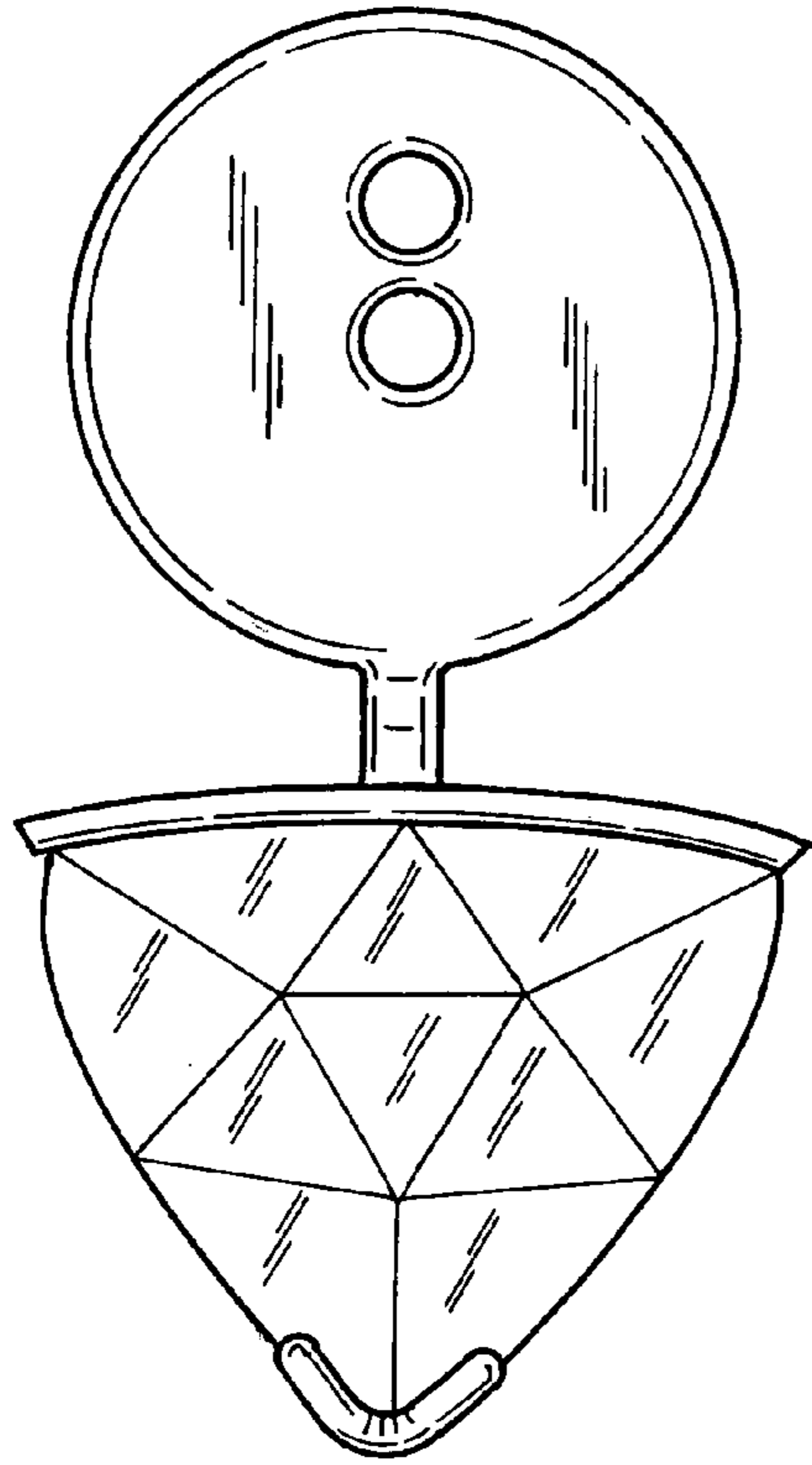
*FIG. 3*



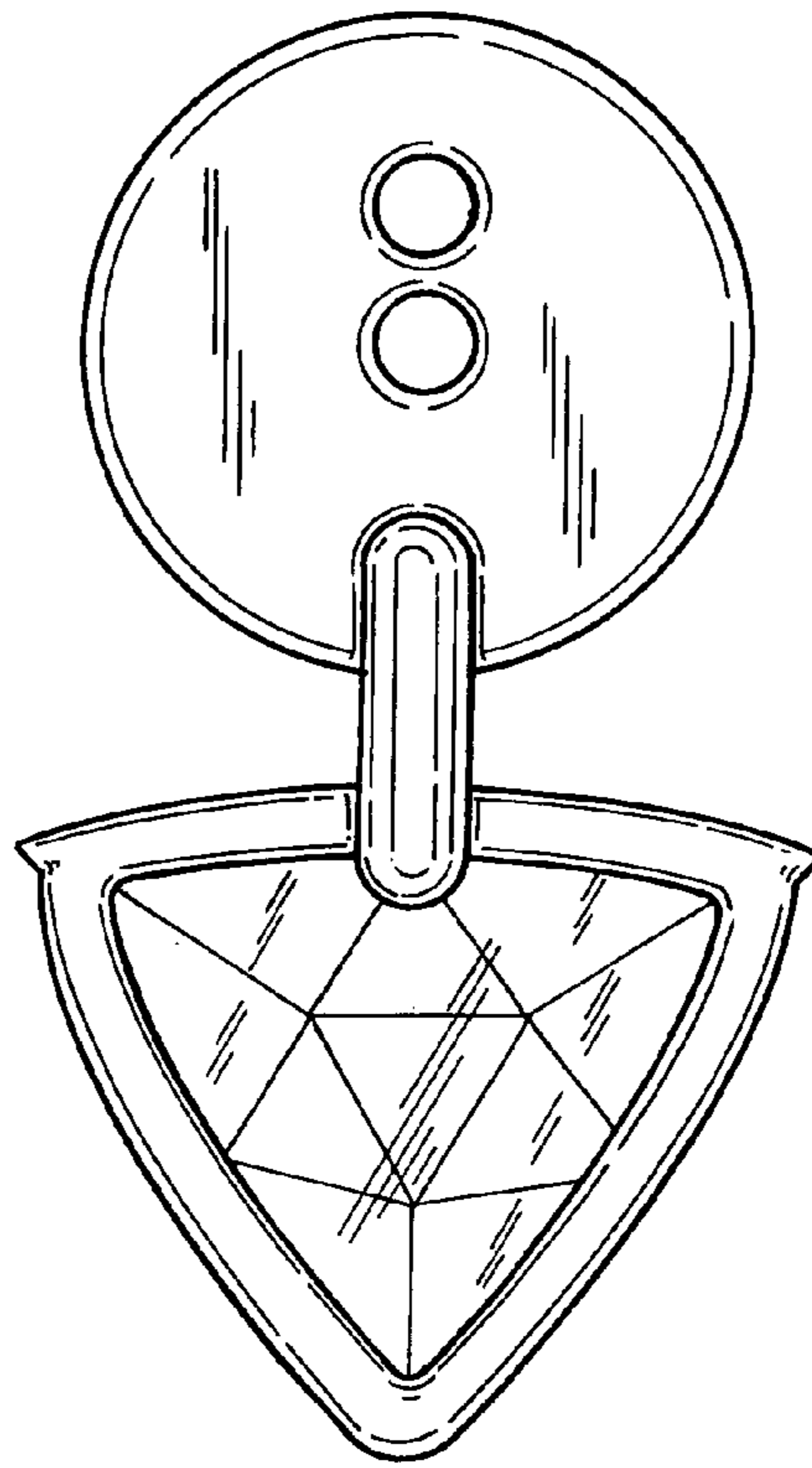
*FIG. 4*



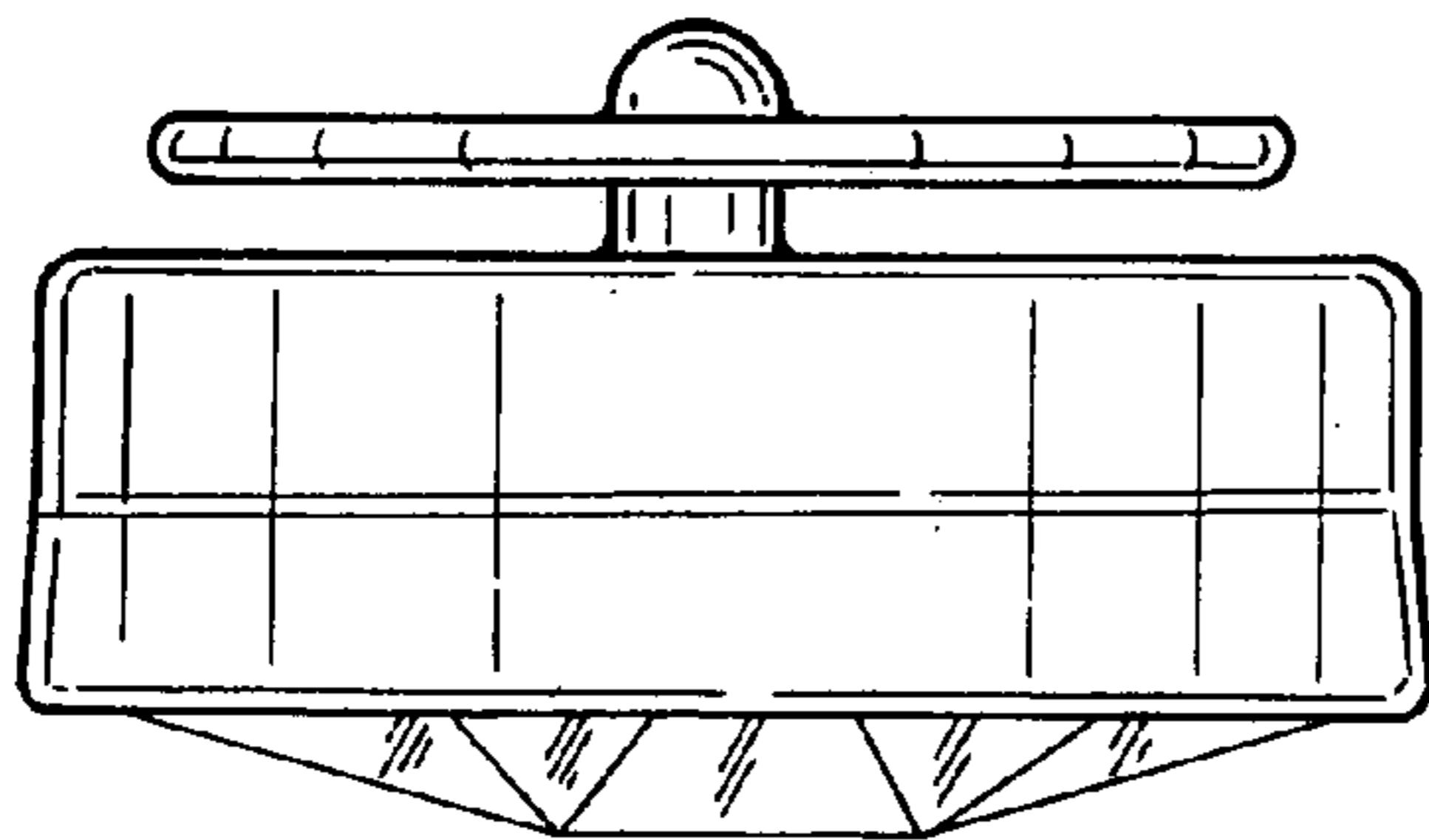
*FIG. 5*



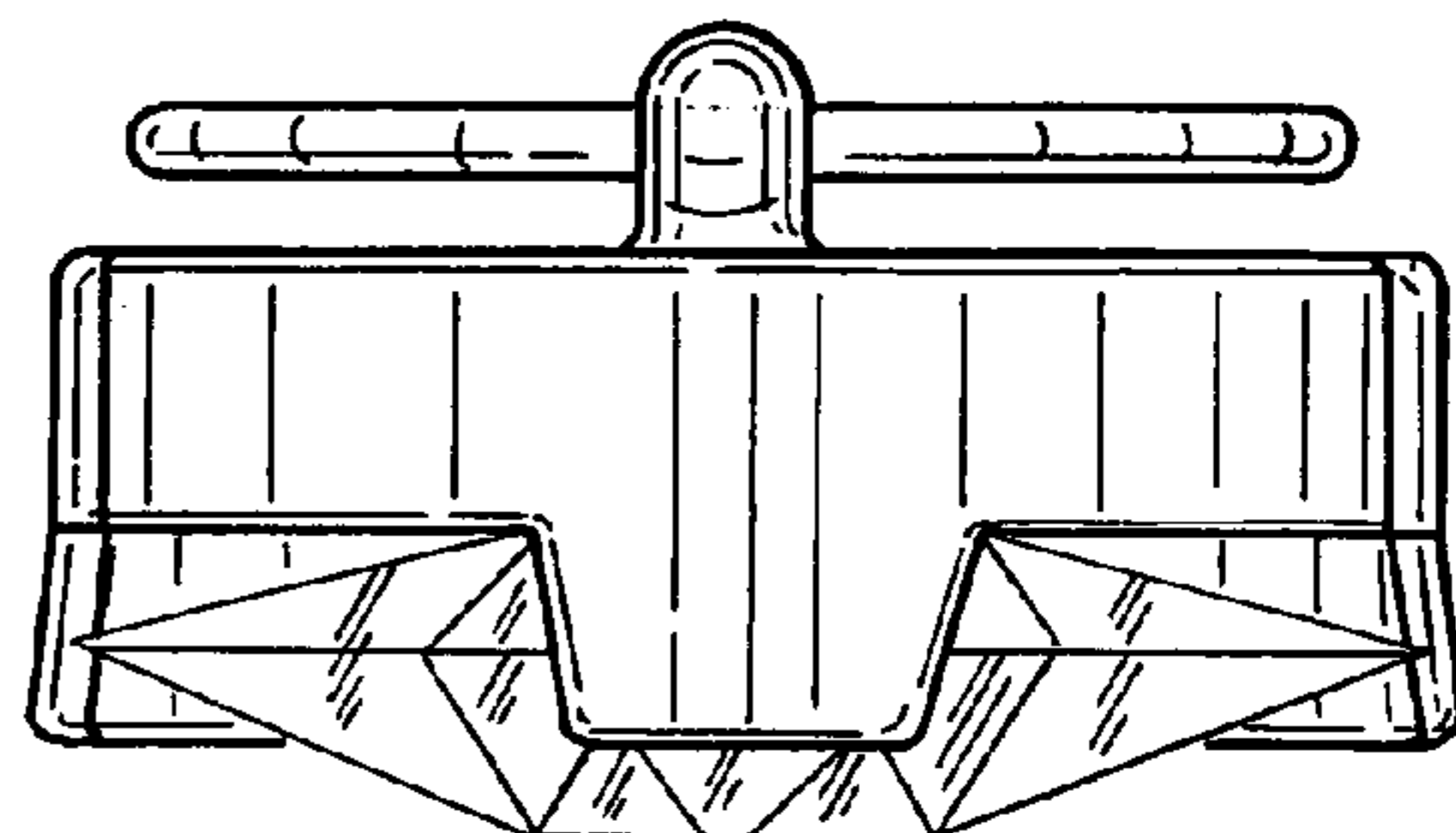
*FIG. 6*



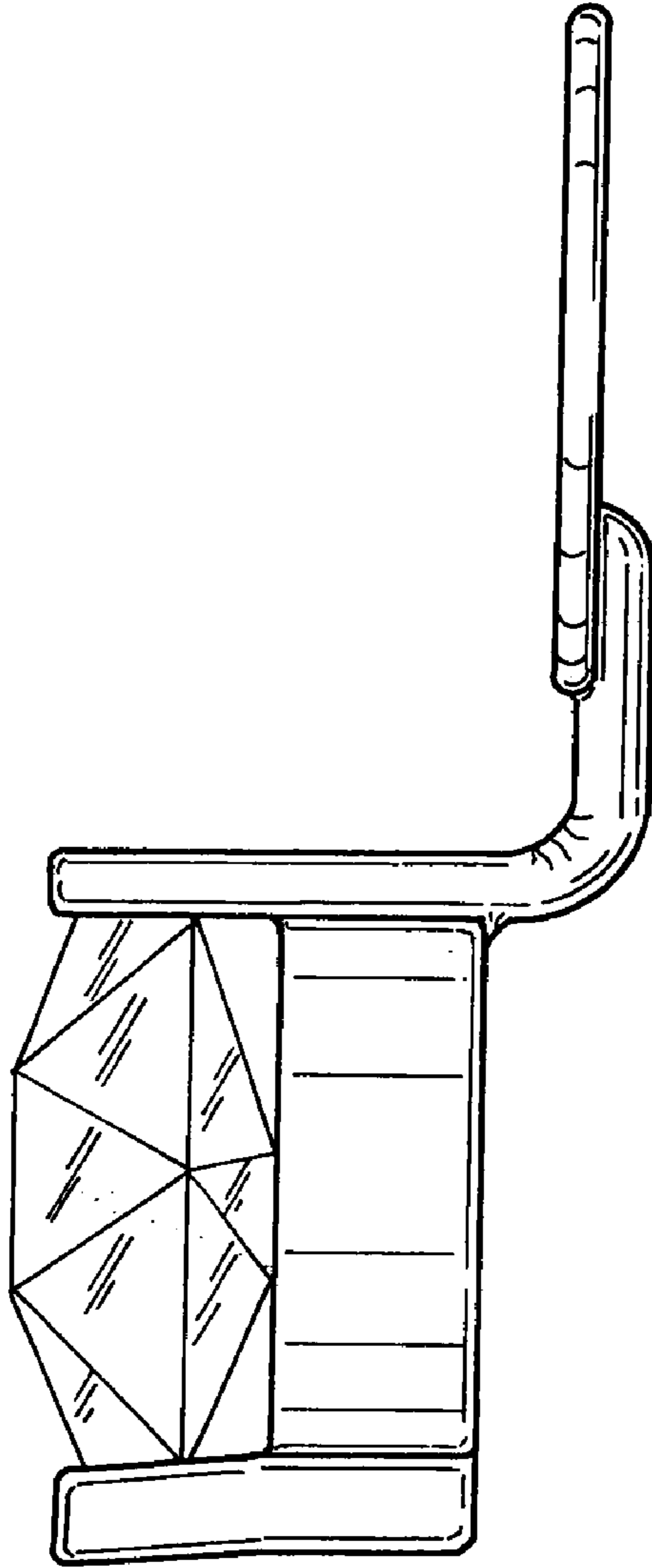
*FIG. 7*



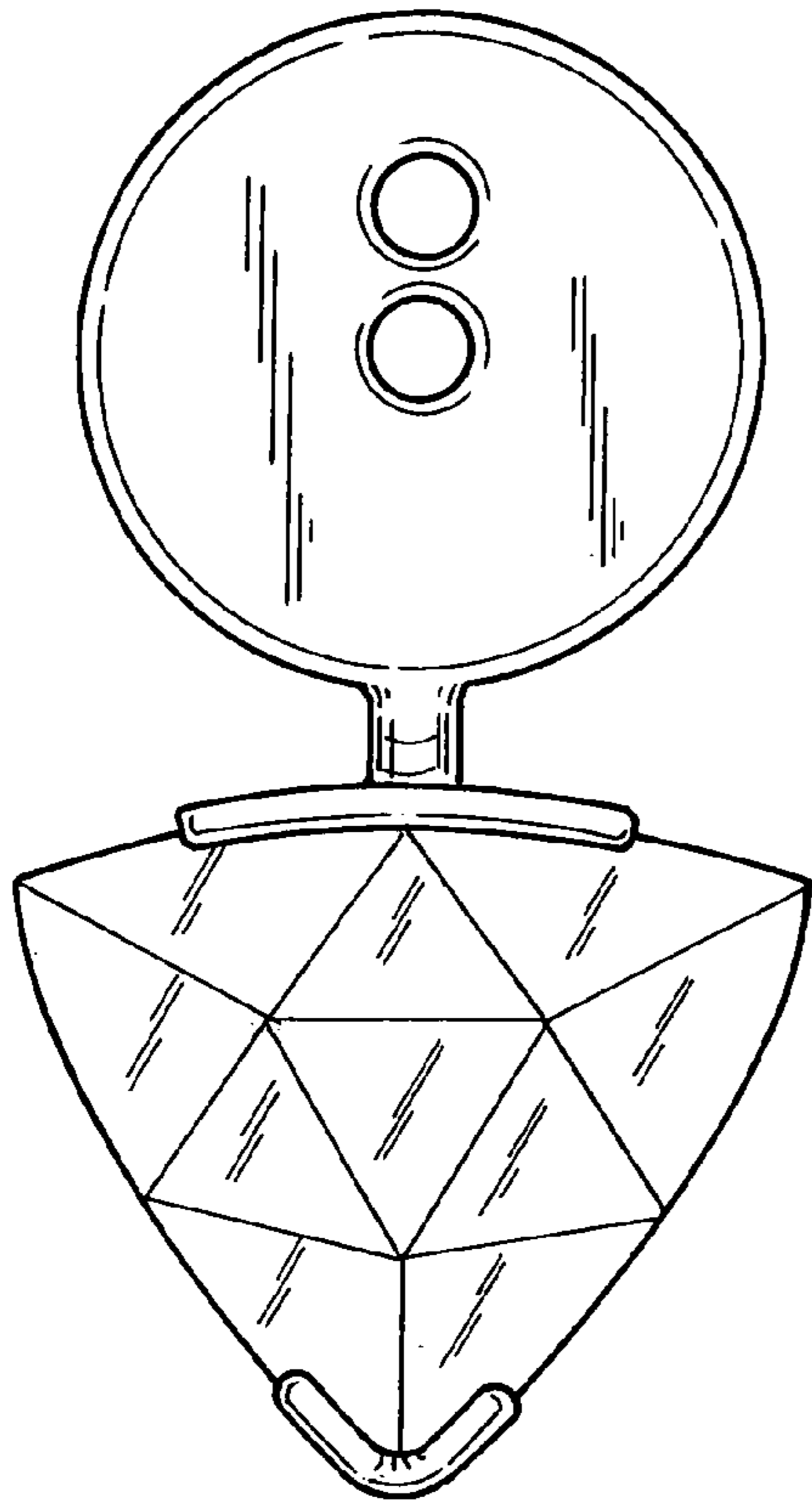
*FIG. 8*



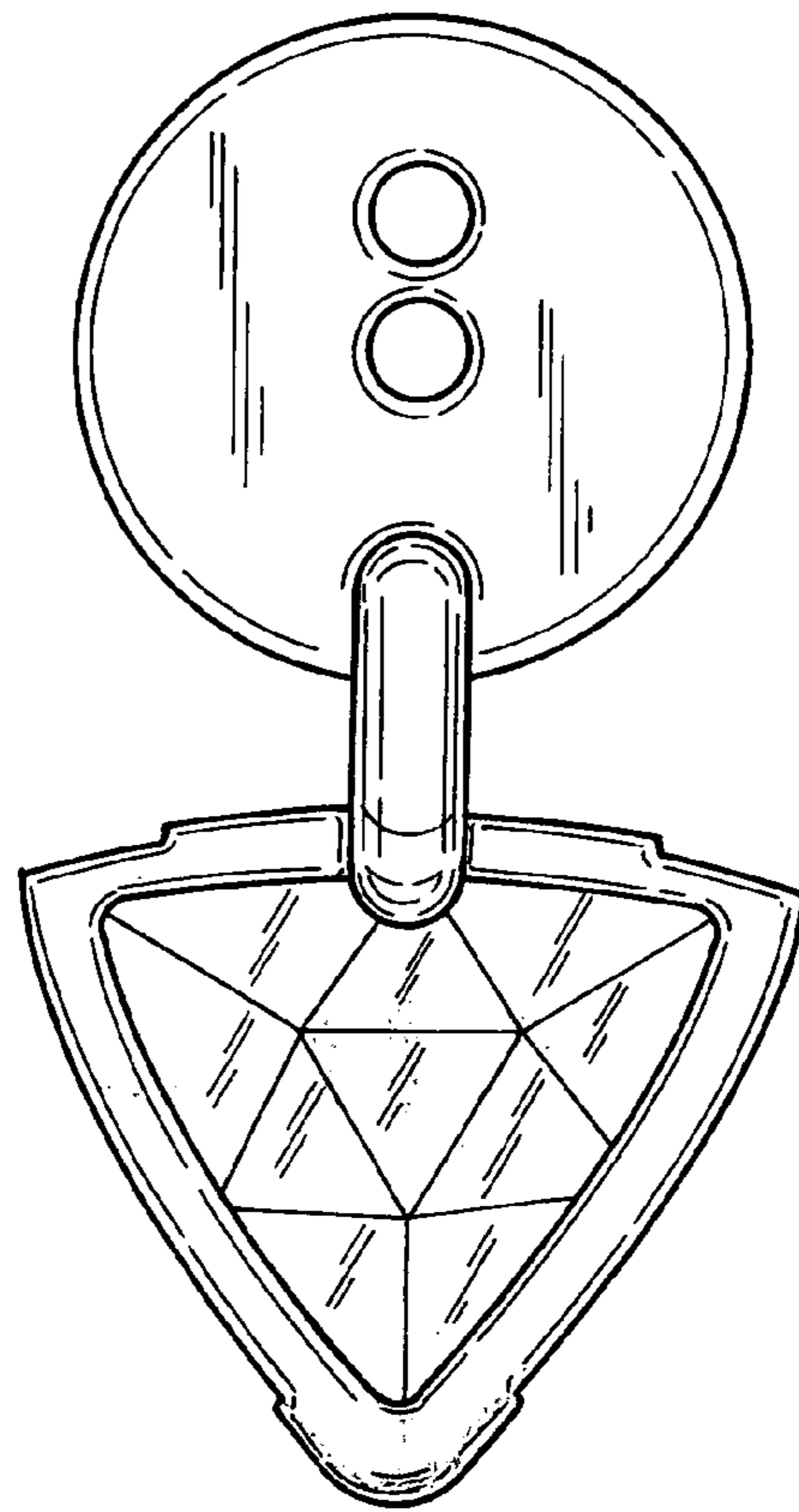
*FIG. 9*



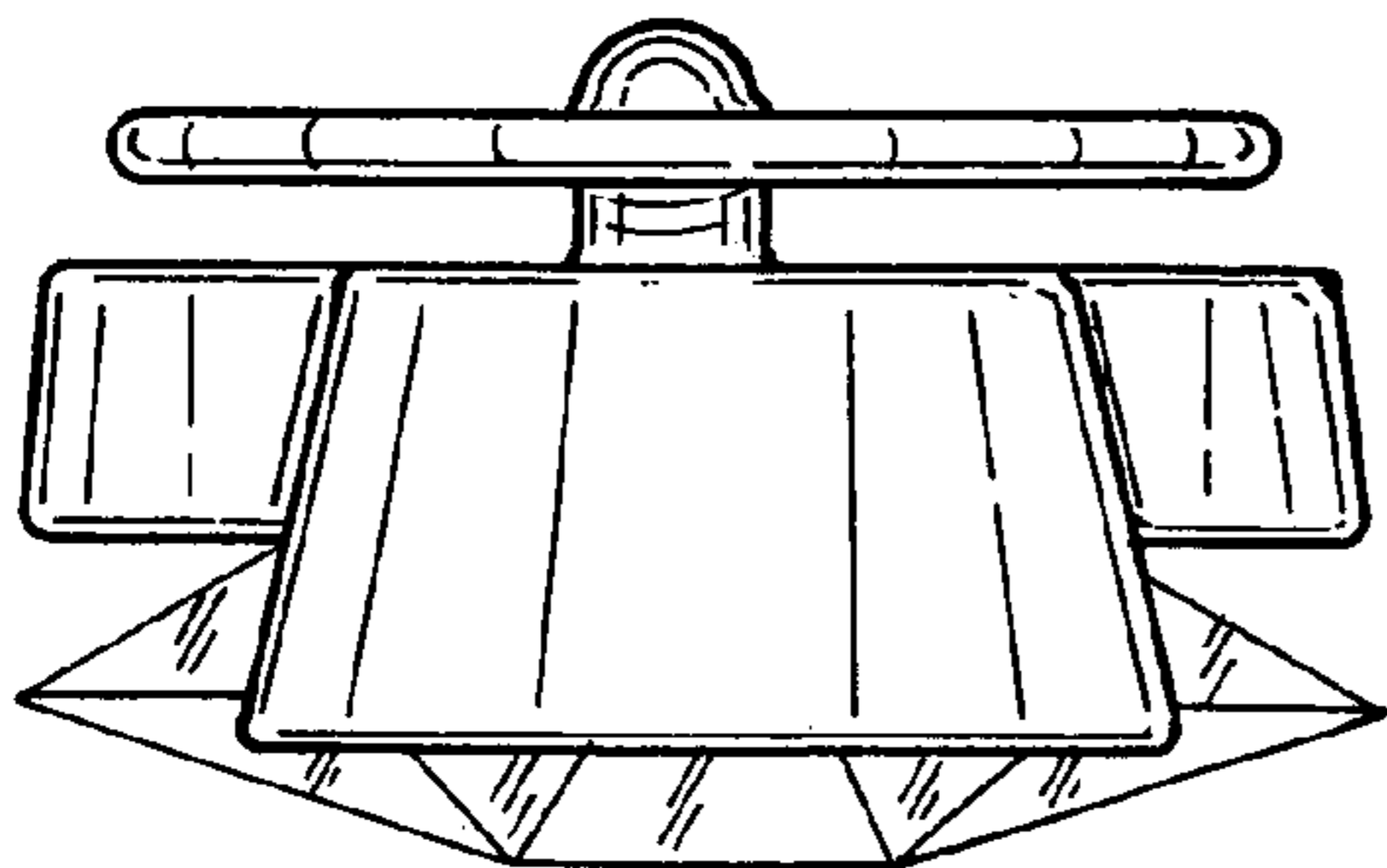
*FIG. 10*



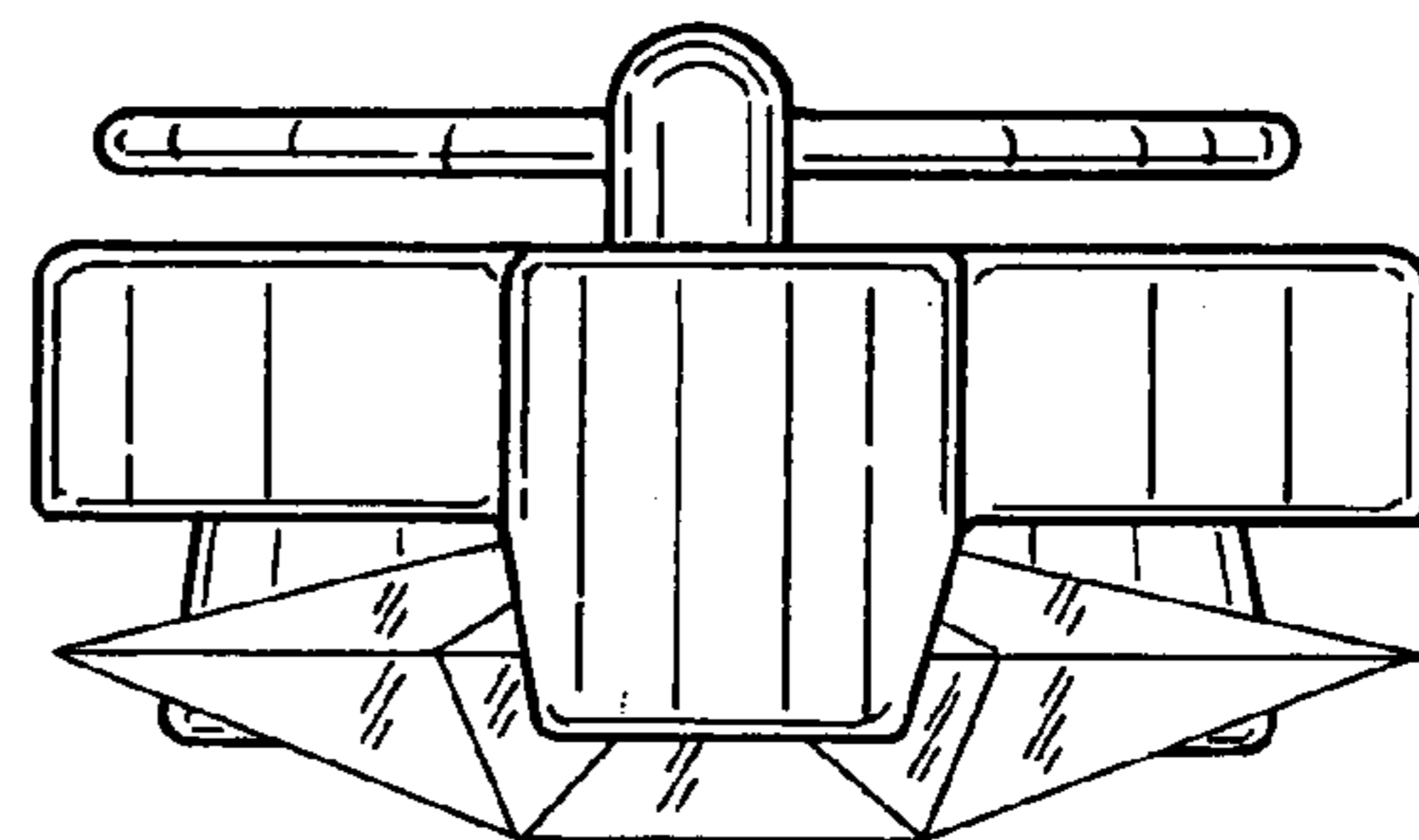
*FIG. 11*



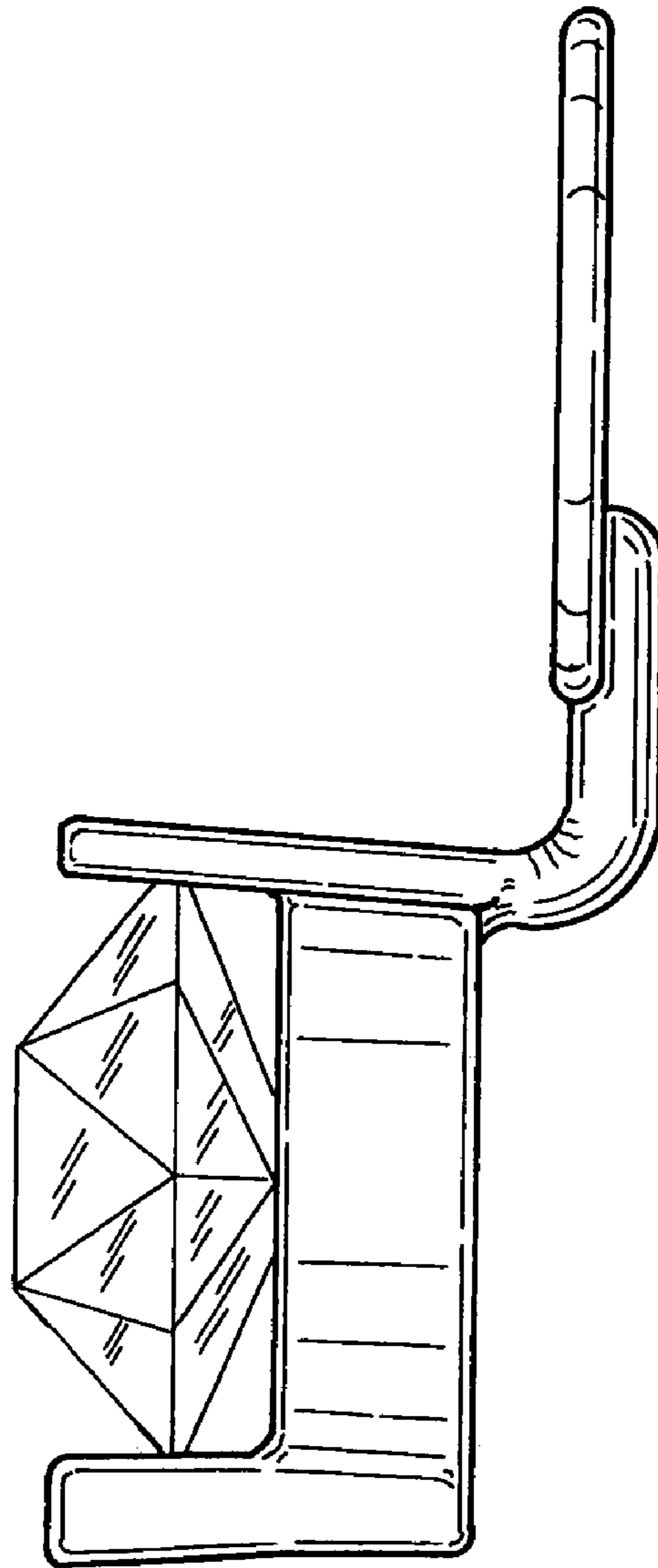
*FIG. 12*



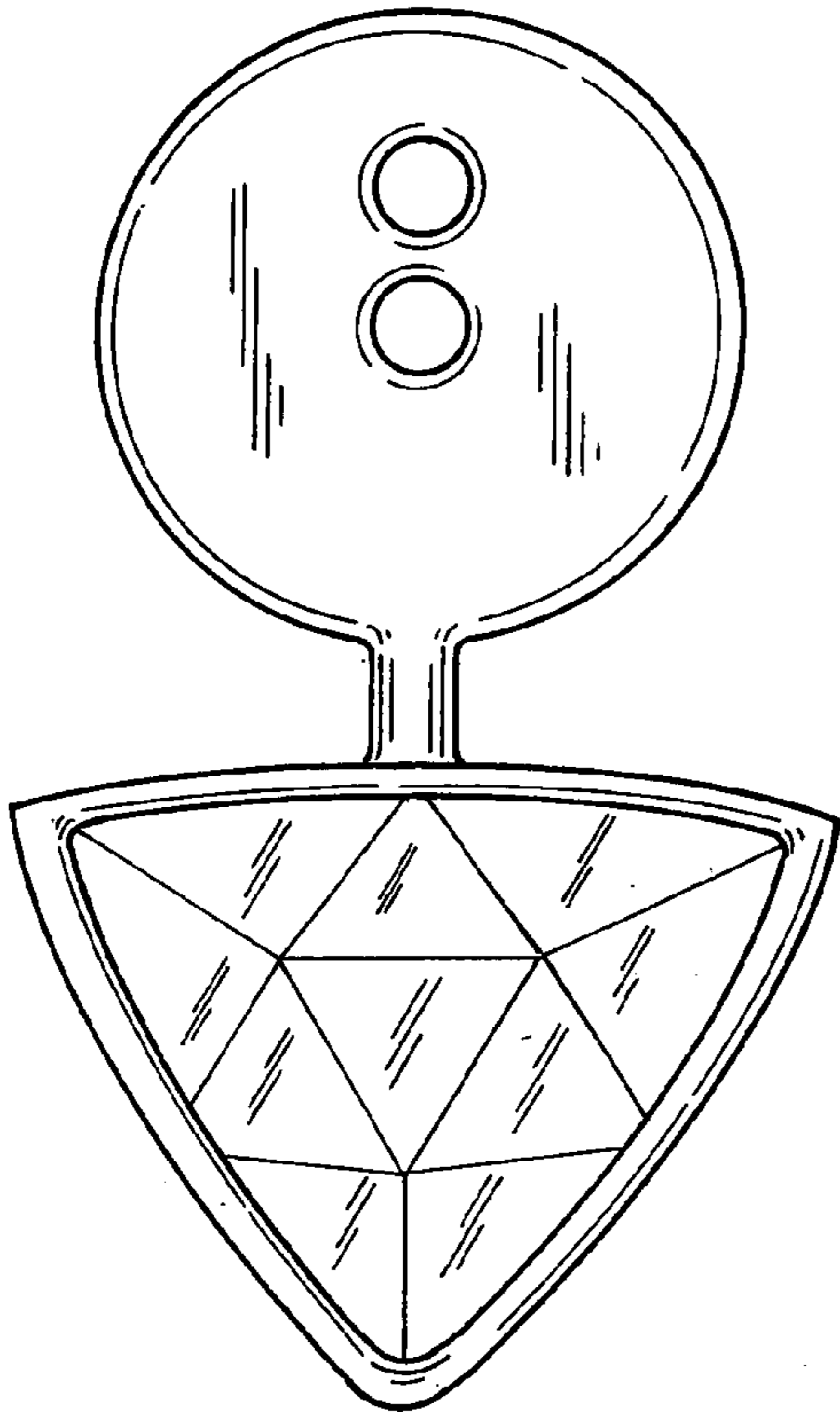
*FIG. 13*



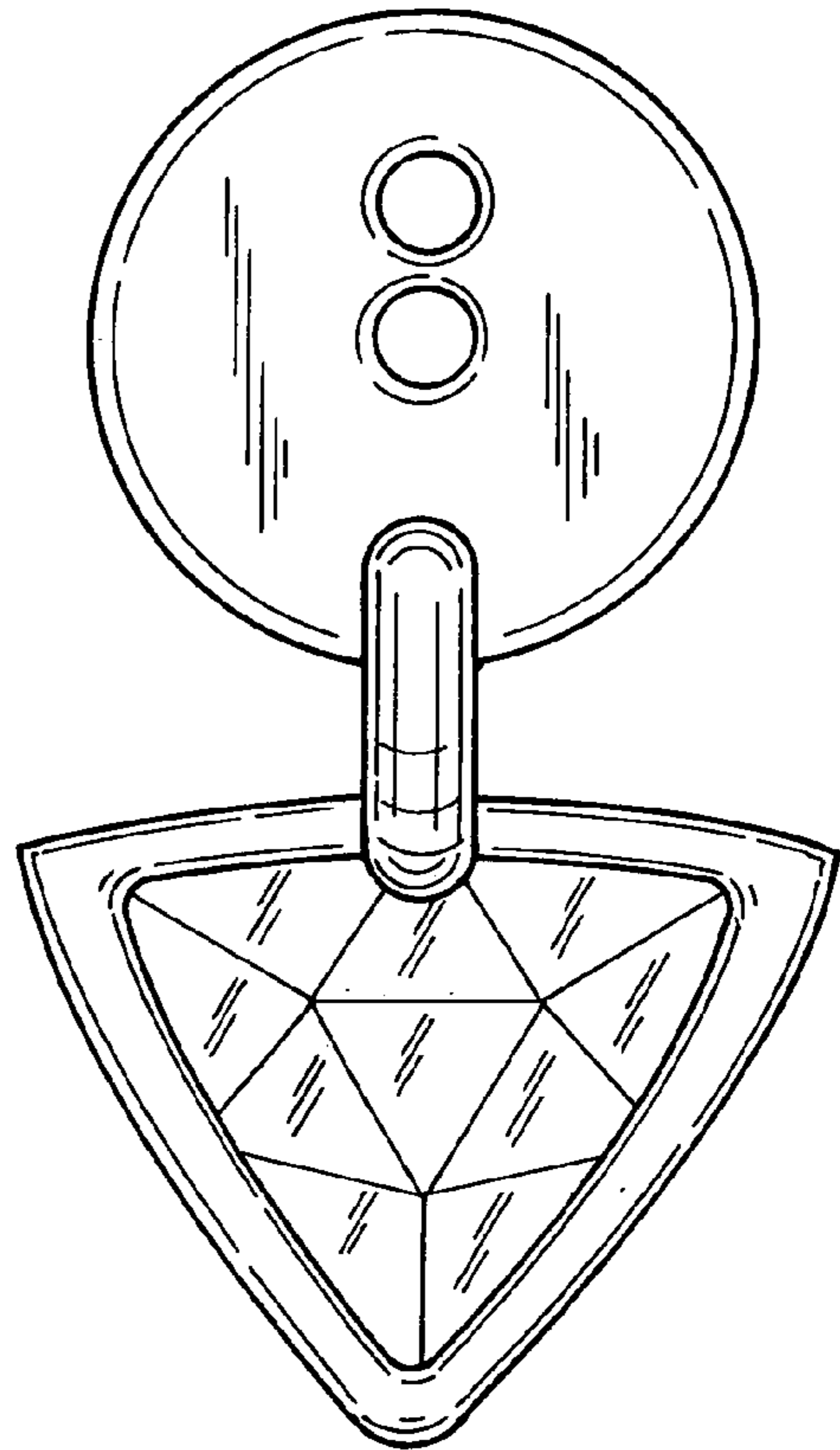
*FIG. 14*



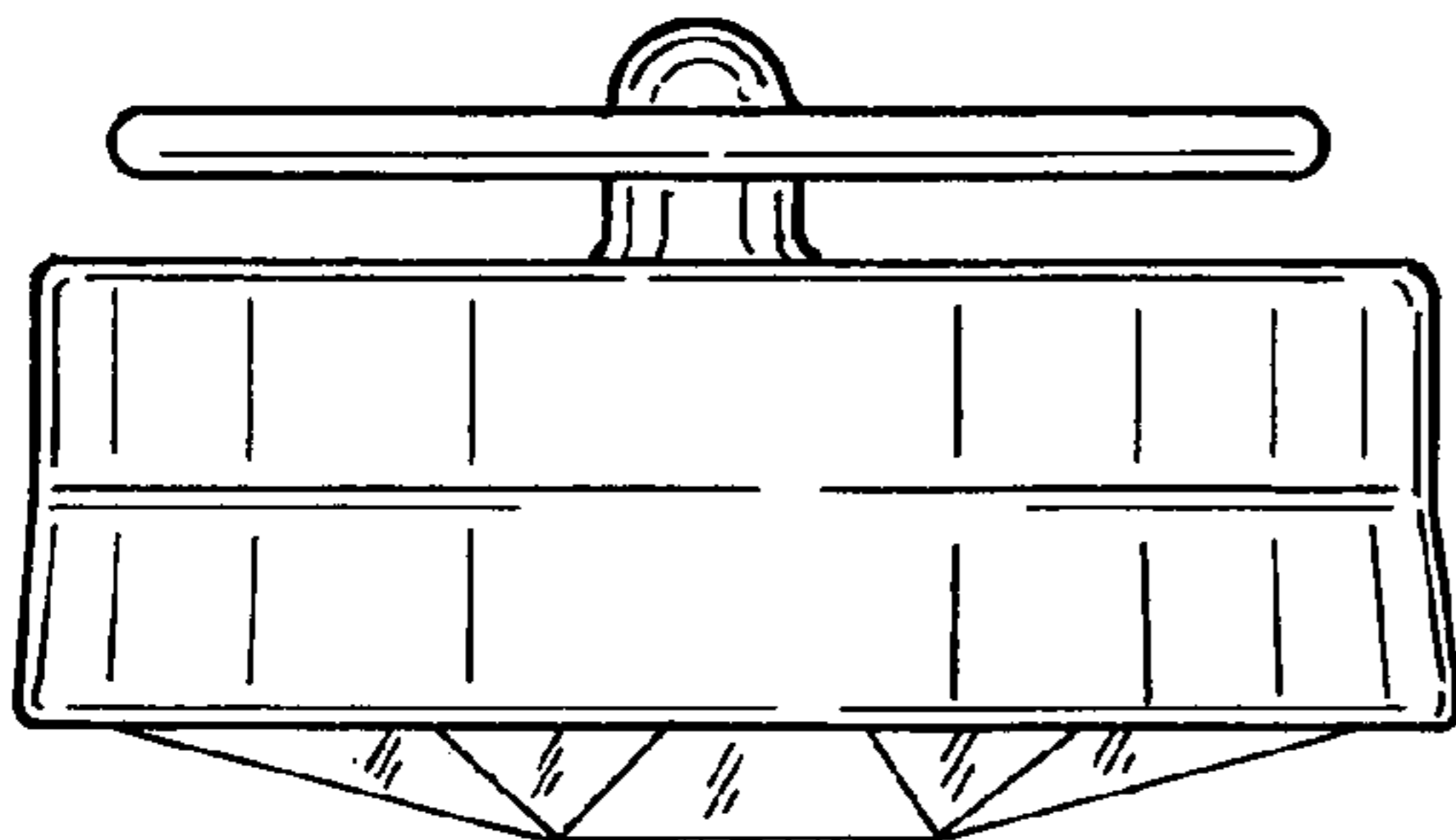
**FIG. 15**



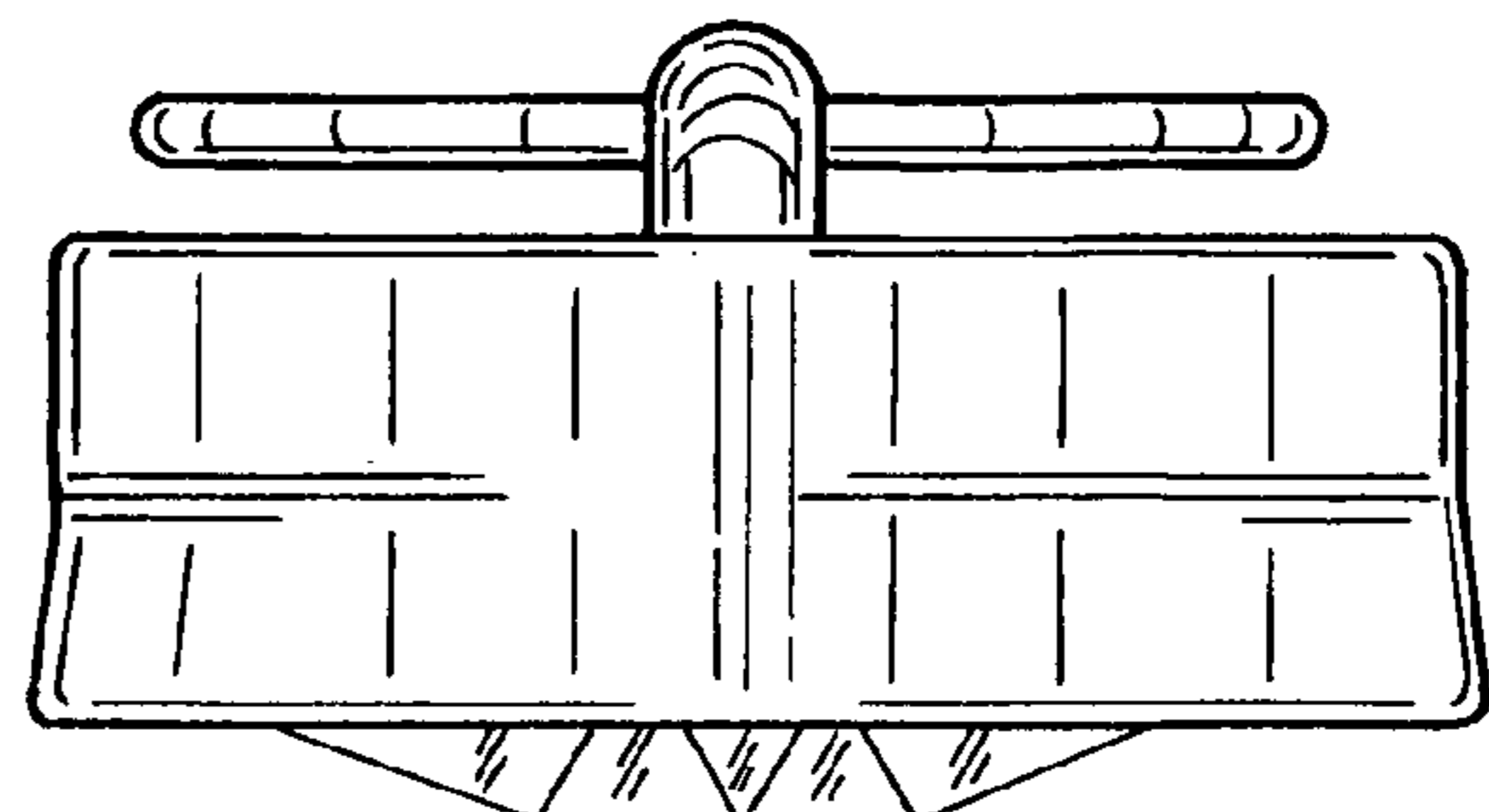
*FIG. 16*



*FIG. 17*

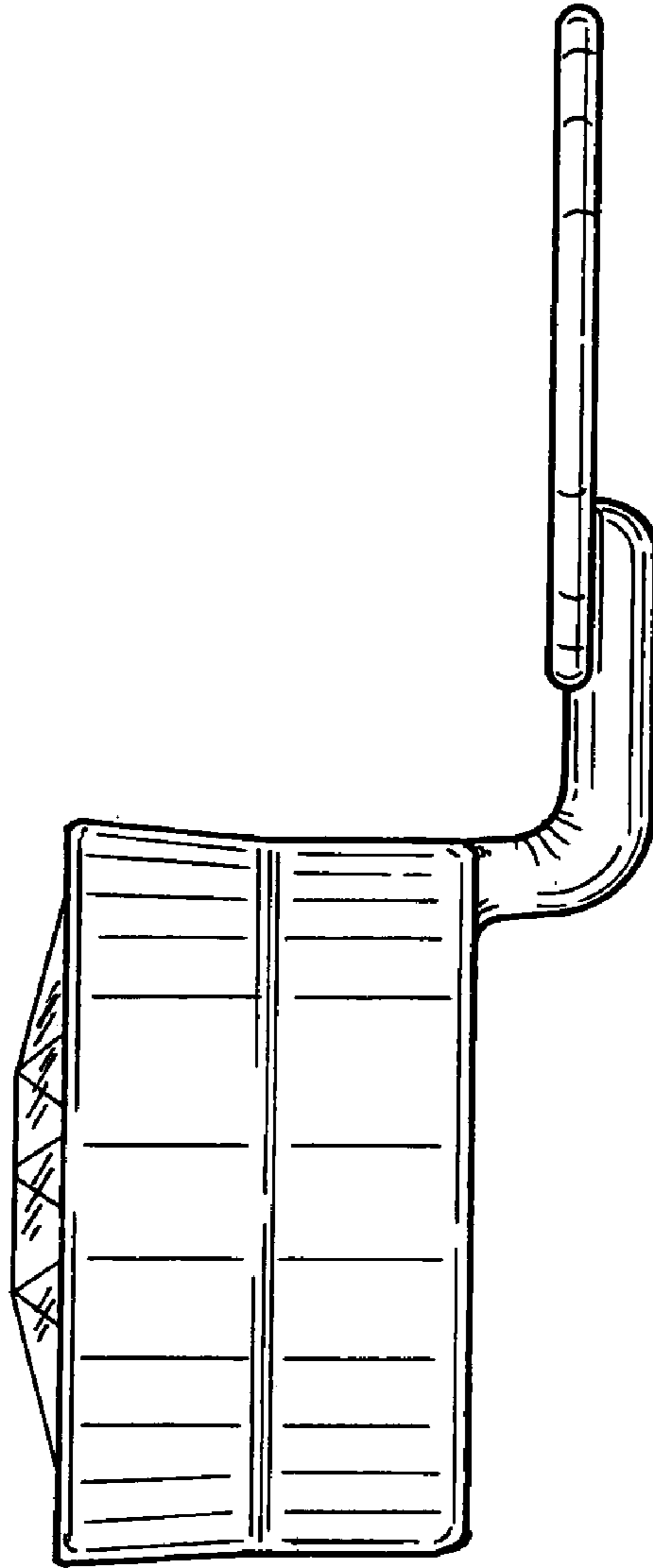


*FIG. 18*



*FIG. 19*





*FIG. 20*