



US00D567699S

(12) **United States Design Patent**  
**Jorgensen**

(10) **Patent No.:** **US D567,699 S**

(45) **Date of Patent:** **\*\* Apr. 29, 2008**

(54) **RING WITH MALTESE CROSS**

D440,516 S \* 4/2001 Siemon ..... D11/26  
D522,903 S \* 6/2006 Jorgensen ..... D11/26

(76) Inventor: **Ragnar R. Jorgensen**,  
Handvaerkerhaven 33, st. th., 2400  
Kobenhavn NV (DK)

\* cited by examiner

*Primary Examiner*—Charles A. Rademaker  
*Assistant Examiner*—Melanie Levy  
(74) *Attorney, Agent, or Firm*—Gifford Krass Sprinkle  
Anderson & Citkowski

(\*\*) Term: **14 Years**

(21) Appl. No.: **29/253,530**

(22) Filed: **Feb. 8, 2006**

(57) **CLAIM**

I claim the ornamental design for a ring with Maltese cross,  
as shown.

(51) **LOC (8) Cl.** ..... **11-01**

(52) **U.S. Cl.** ..... **D11/26**

(58) **Field of Classification Search** ..... D11/3,  
D11/26-39; 63/15, 15.1-15.4, 15.45, 15.5,  
63/15.6, 15.65, 15.7, 26-27  
See application file for complete search history.

**DESCRIPTION**

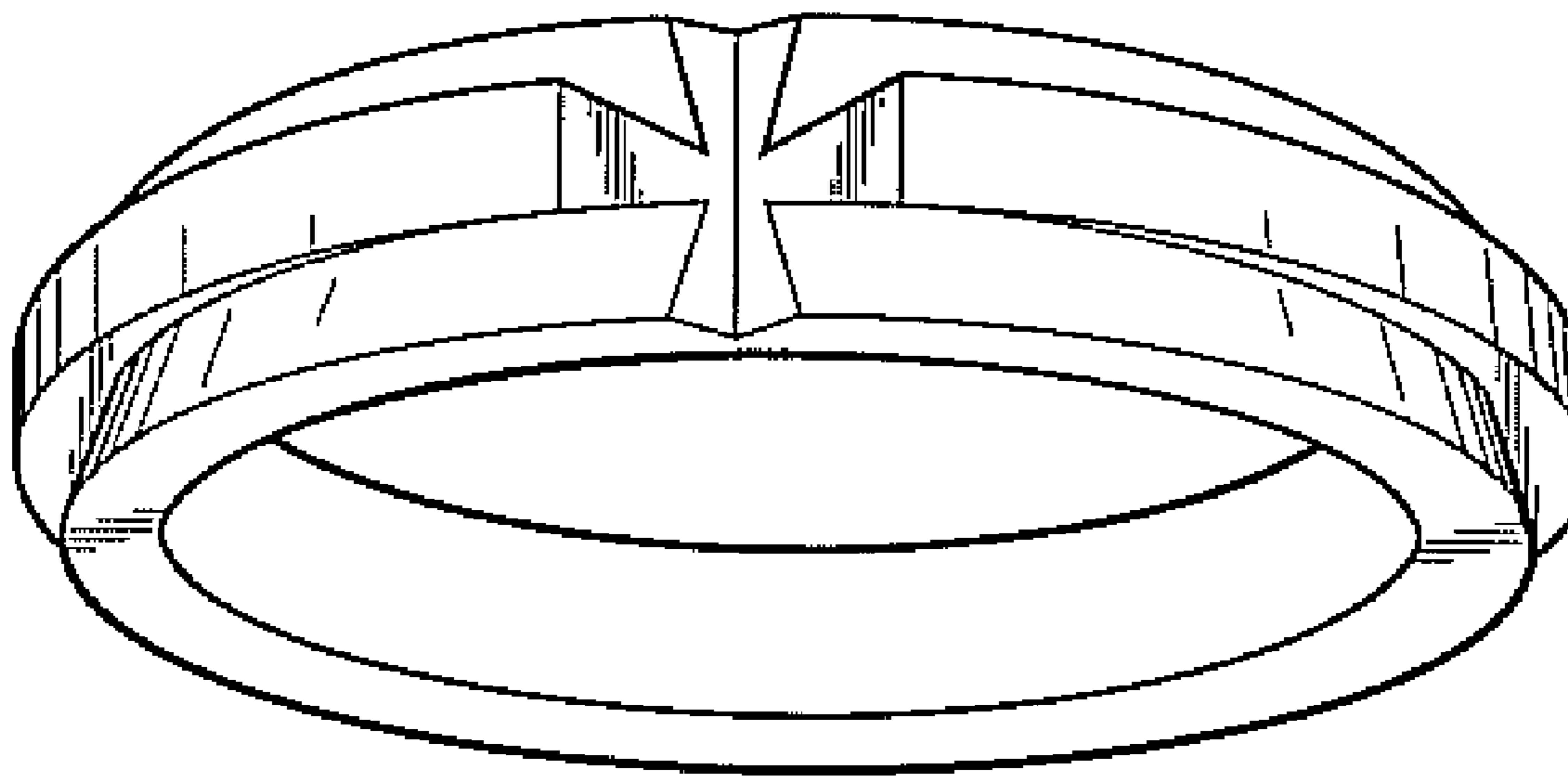
FIG. 1 is a perspective view of the Maltese cross ring of the  
present invention showing the ornamental aspects thereof;  
FIG. 2 is a front elevation view of the ring of FIG. 1;  
FIG. 3 is a top plan view of the ring of FIG. 1, it being  
understood that the bottom plan view is identical; and,  
FIG. 4 is a rear elevation view of the ring of FIG. 1.

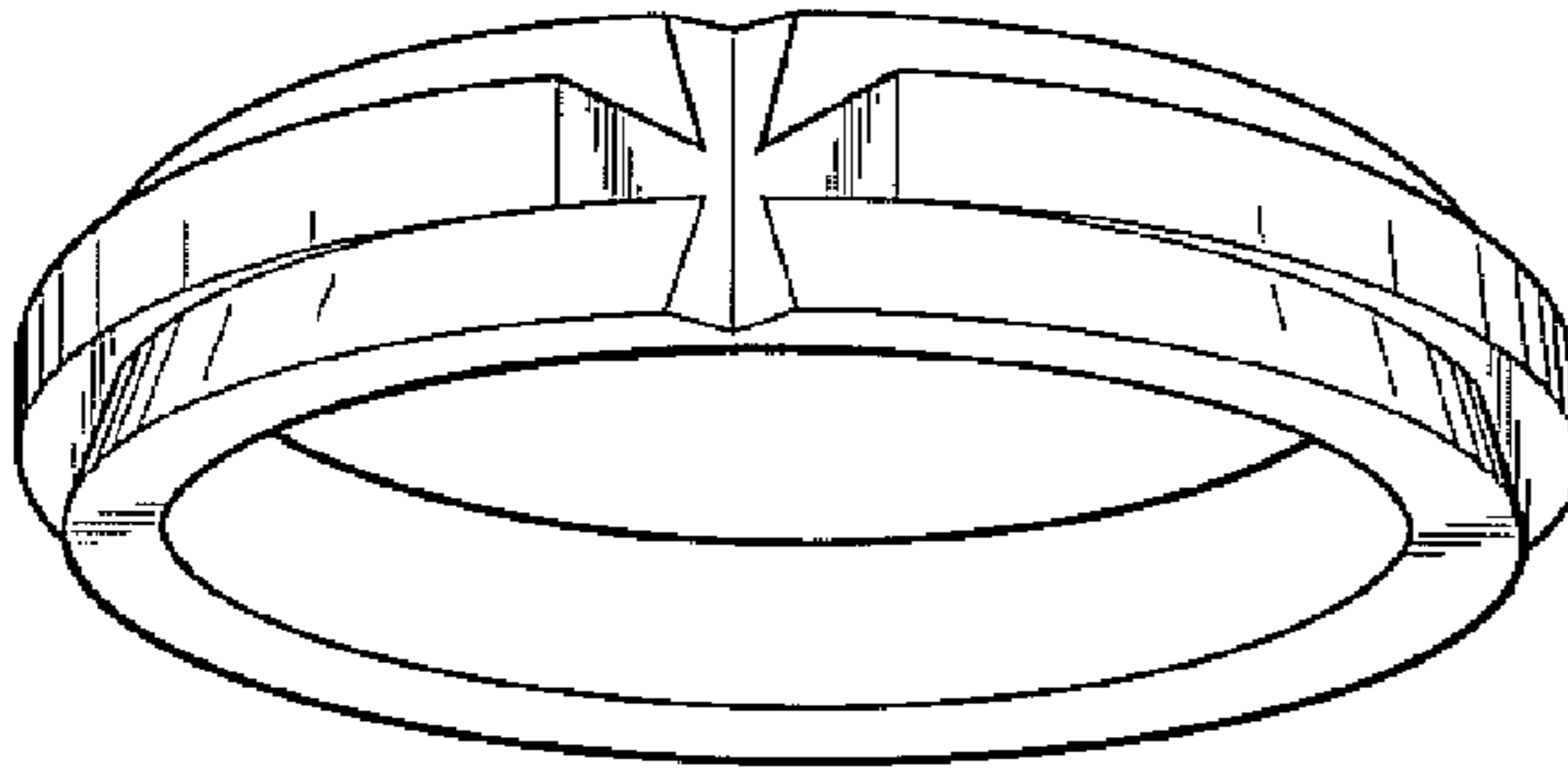
(56) **References Cited**

**U.S. PATENT DOCUMENTS**

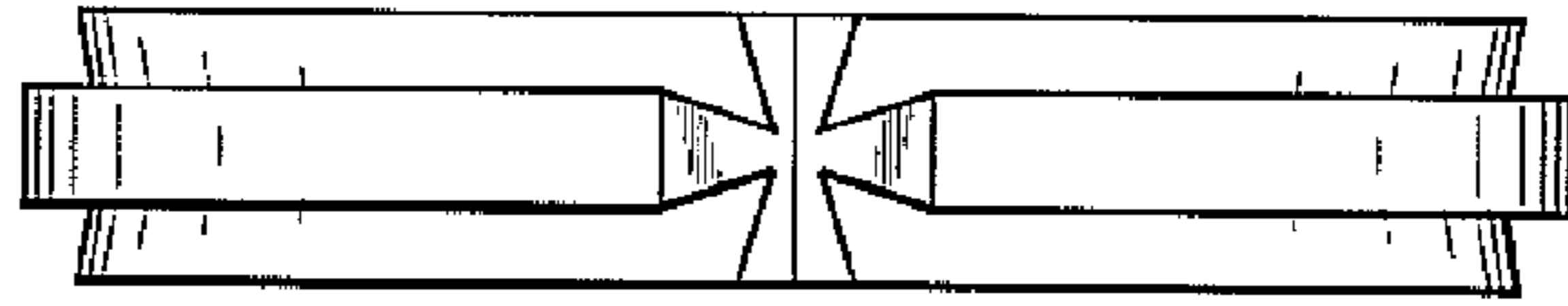
D337,543 S \* 7/1993 Caldow ..... D11/27  
D424,966 S \* 5/2000 Ofiesh, II ..... D11/26  
D440,180 S \* 4/2001 Giesen ..... D11/26

**1 Claim, 1 Drawing Sheet**

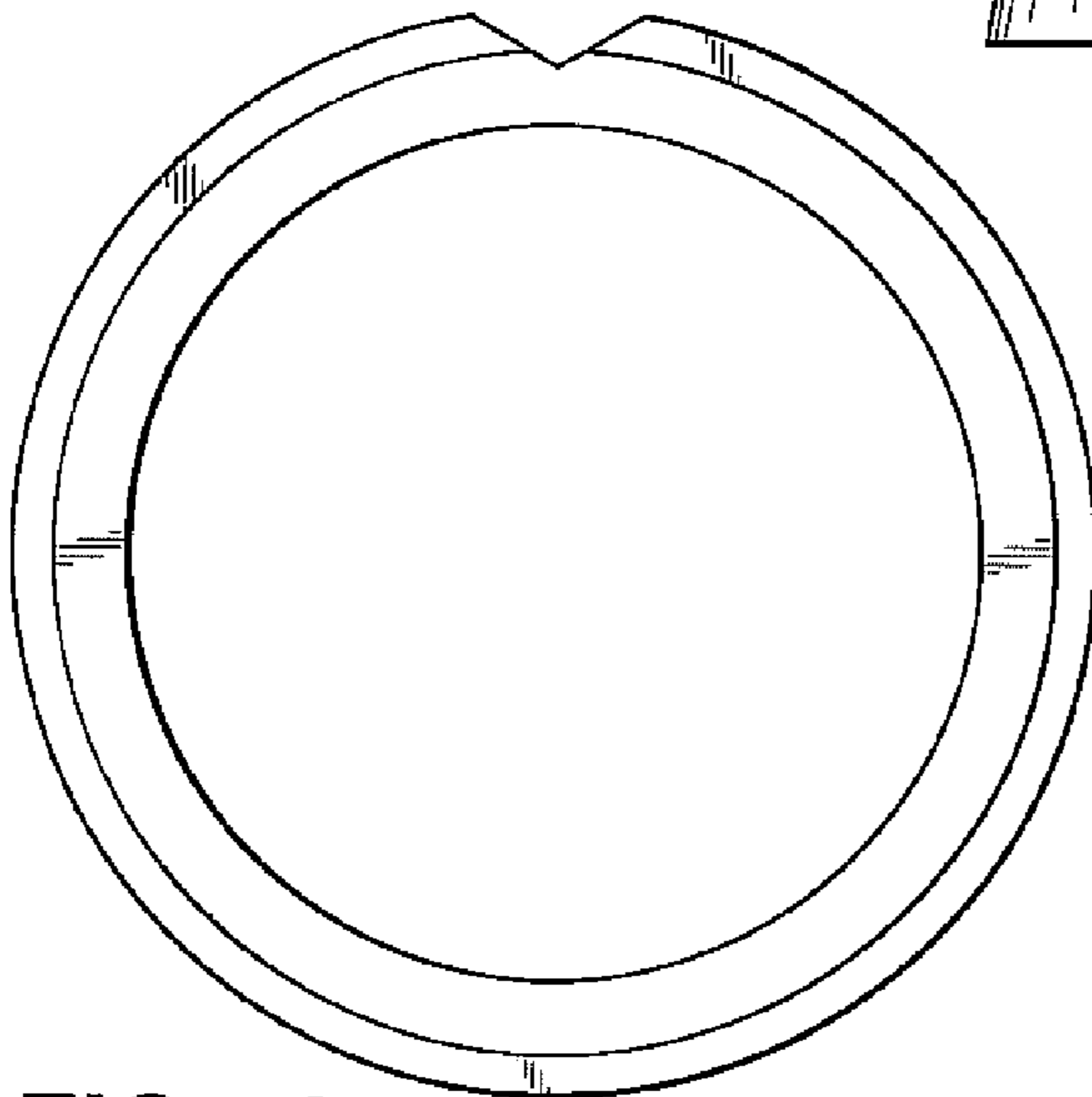




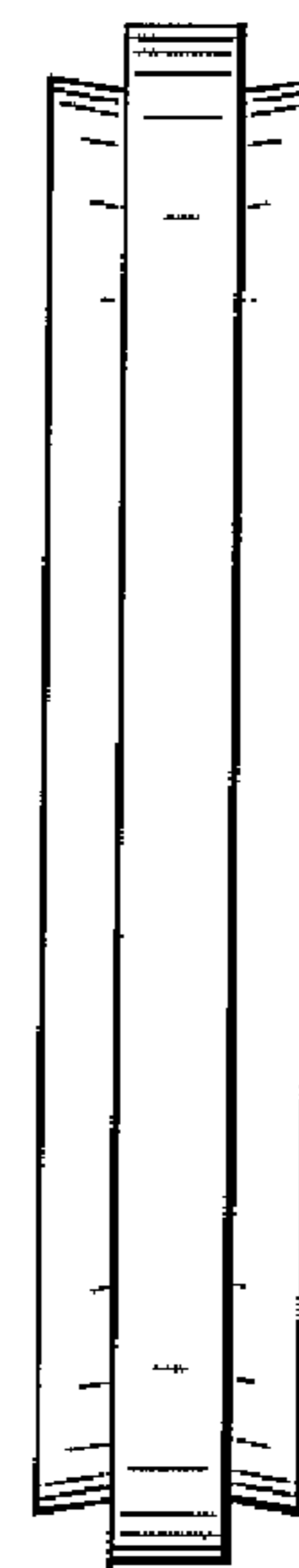
**FIG - 1**



**FIG - 2**



**FIG - 3**



**FIG - 4**