

US00D567693S

(12) **United States Design Patent**
Ichimura et al.

(10) **Patent No.:** **US D567,693 S**
(45) **Date of Patent:** **** Apr. 29, 2008**

- (54) **BELL**
- (75) Inventors: **Kyoji Ichimura**, Tokyo (JP); **Atsushi Endo**, Tokyo (JP); **Kazuharu Seki**, Tokyo (JP)
- (73) Assignee: **Tokyo Bell Seisakusho Co., Ltd.**, Tokyo (JP)
- (**) Term: **14 Years**
- (21) Appl. No.: **29/286,358**
- (22) Filed: **May 2, 2007**
- (51) **LOC (8) Cl.** **10-05**
- (52) **U.S. Cl.** **D10/118; D10/116**
- (58) **Field of Classification Search** D10/116, D10/118, 120; D8/16, 349, 354, 367; 116/52, 116/159, 166; 370/469
See application file for complete search history.

D360,159 S *	7/1995	Moore	D10/116
D395,615 S *	6/1998	Lin	D10/116
D416,153 S *	11/1999	Chen	D6/524
D439,859 S *	4/2001	Morgan	D10/116
D440,243 S *	4/2001	Jacquet	D16/135
D444,729 S *	7/2001	Lin	D10/116
6,450,115 B1 *	9/2002	Ichimura et al.	116/152
D471,080 S *	3/2003	Baumbach	D8/354
2004/0057463 A1 *	3/2004	Fu	370/469
2006/0096520 A1 *	5/2006	Ichimura et al.	116/164

OTHER PUBLICATIONS

Original Incredibell, Mirrycle Corporation, Apr. 14, 2006 web.archive.org archived page of www.mirrycle.com.*
 New Original Incredibell, <http://www.mirrycle.com/original-new.htm> Dec. 10, 2007.*
 Zefal Ping Bell, Performance Bike, <http://www.performancebike.com> Dec. 5, 2007.*

* cited by examiner

Primary Examiner—Robert M. Spear
Assistant Examiner—George D Kirschbaum
 (74) *Attorney, Agent, or Firm*—Flynn, Thiel, Boutell & Tanis, P.C.

(56) **References Cited**

U.S. PATENT DOCUMENTS

D26,991 S *	4/1897	Hoyt	D6/500
616,015 A *	12/1898	Rockwell	116/159
621,759 A *	3/1899	Rockwell	116/159
702,160 A *	6/1902	Seabrook	116/166
1,182,109 A *	5/1916	Simmons	248/113
1,457,705 A *	6/1923	Kidney	116/159
D106,175 S *	9/1937	Bevin	D10/116
D109,032 S *	3/1938	Bevin	D10/116
D197,382 S *	1/1964	Huntley et al.	D8/383
D202,672 S *	10/1965	Winkhaus	D10/116
D209,013 S *	10/1967	McElroy	D8/383
D306,689 S *	3/1990	Hamann	D8/363
D316,055 S *	4/1991	Rixen	D10/116
5,307,756 A *	5/1994	Ichimura et al.	116/166

(57) **CLAIM**

The ornamental design for a bell, as shown and described.

DESCRIPTION

FIG. 1 is a front view of a bell showing our new design;
 FIG. 2 is a rear view thereof;
 FIG. 3 is a left side view thereof;
 FIG. 4 is a top view thereof; and,
 FIG. 5 is a bottom view thereof.

1 Claim, 2 Drawing Sheets

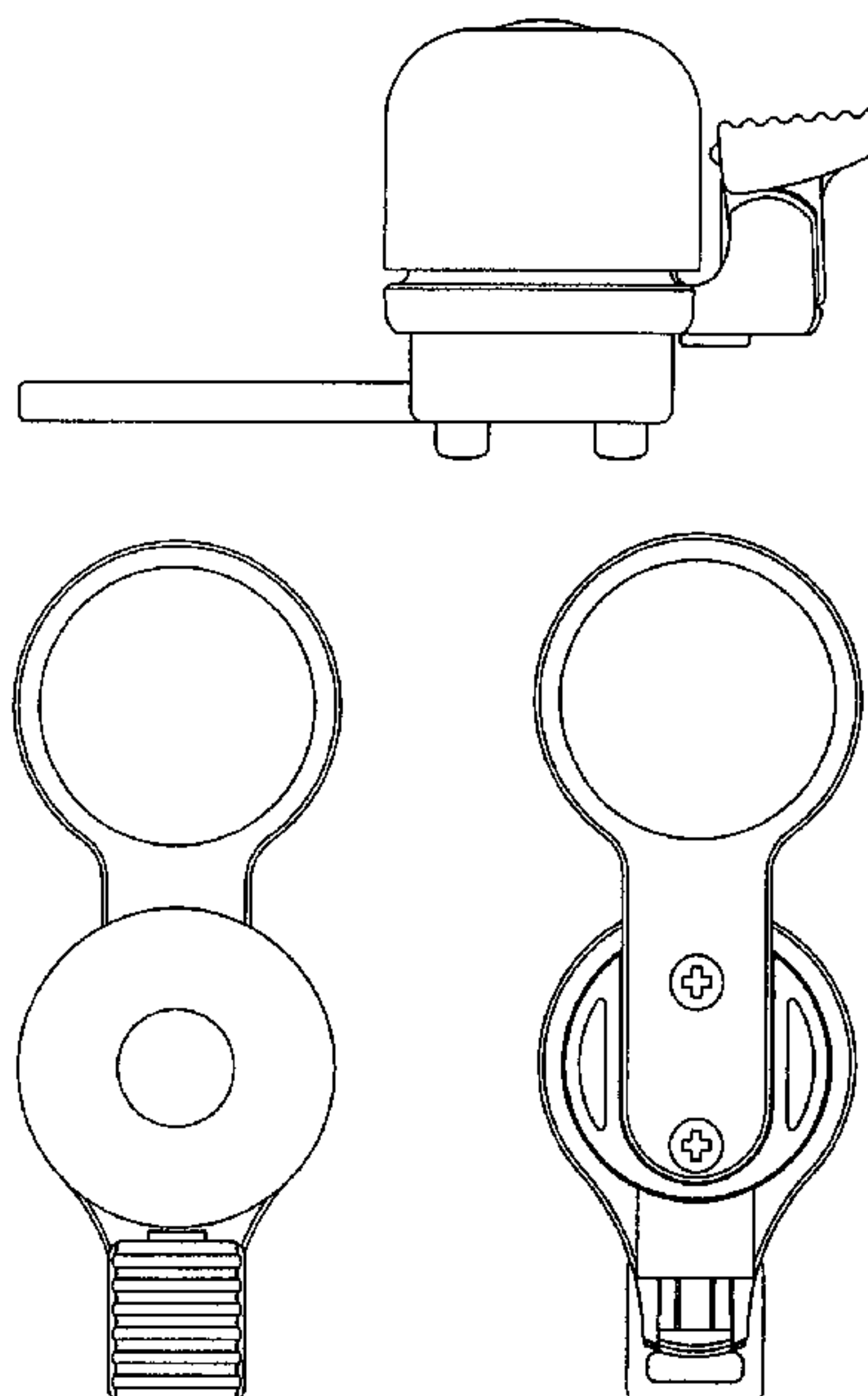


Fig. 1

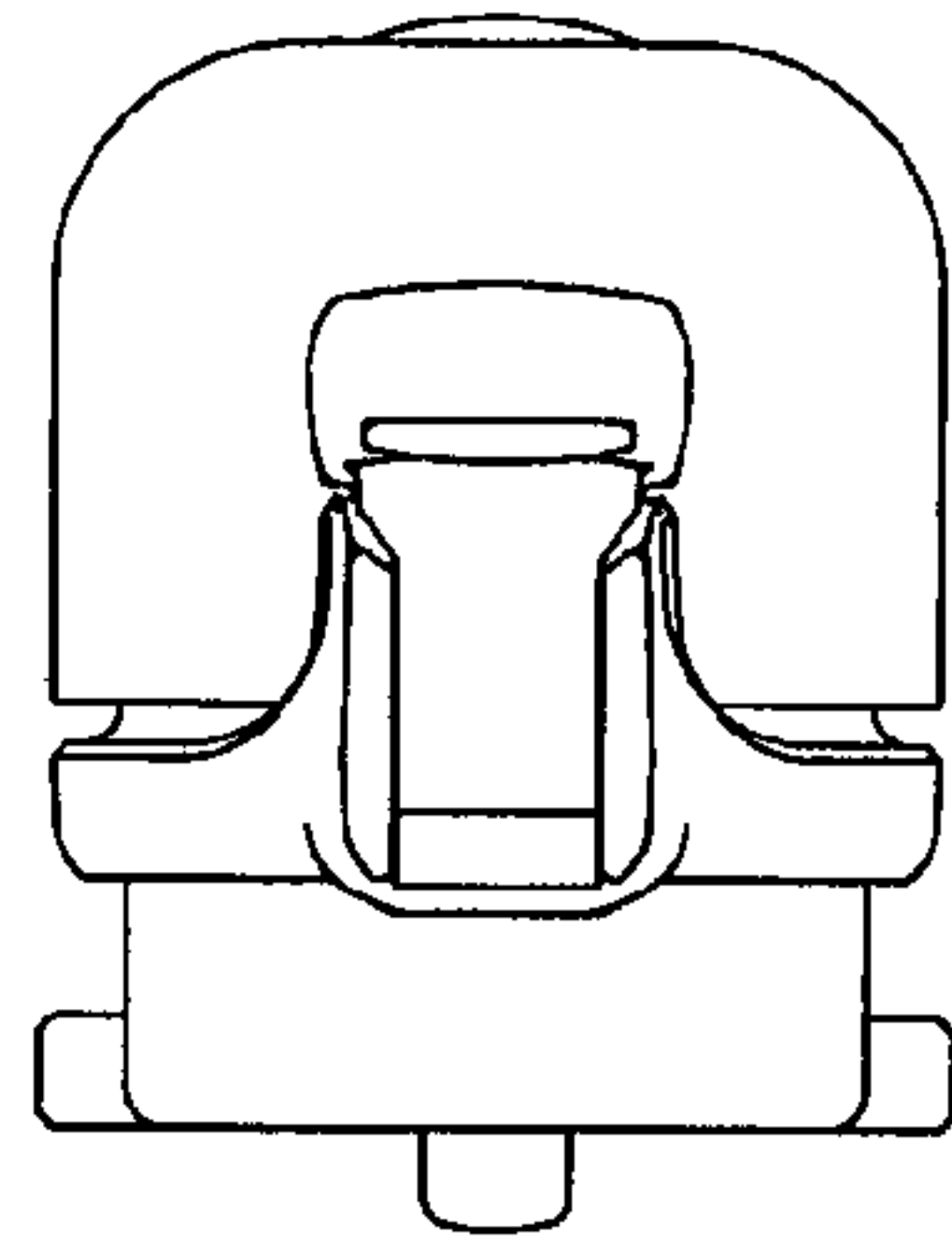


Fig. 2

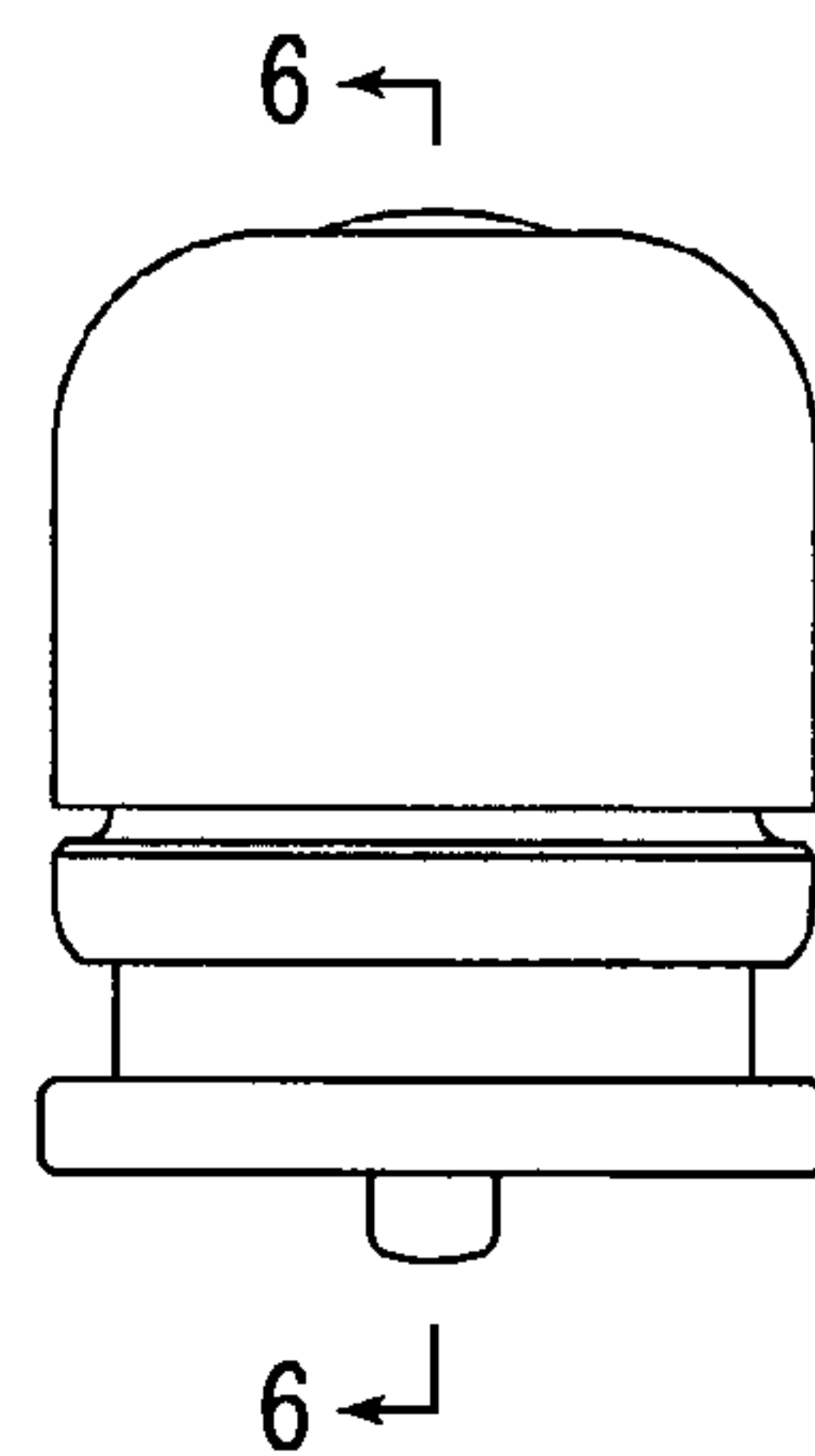


Fig. 3

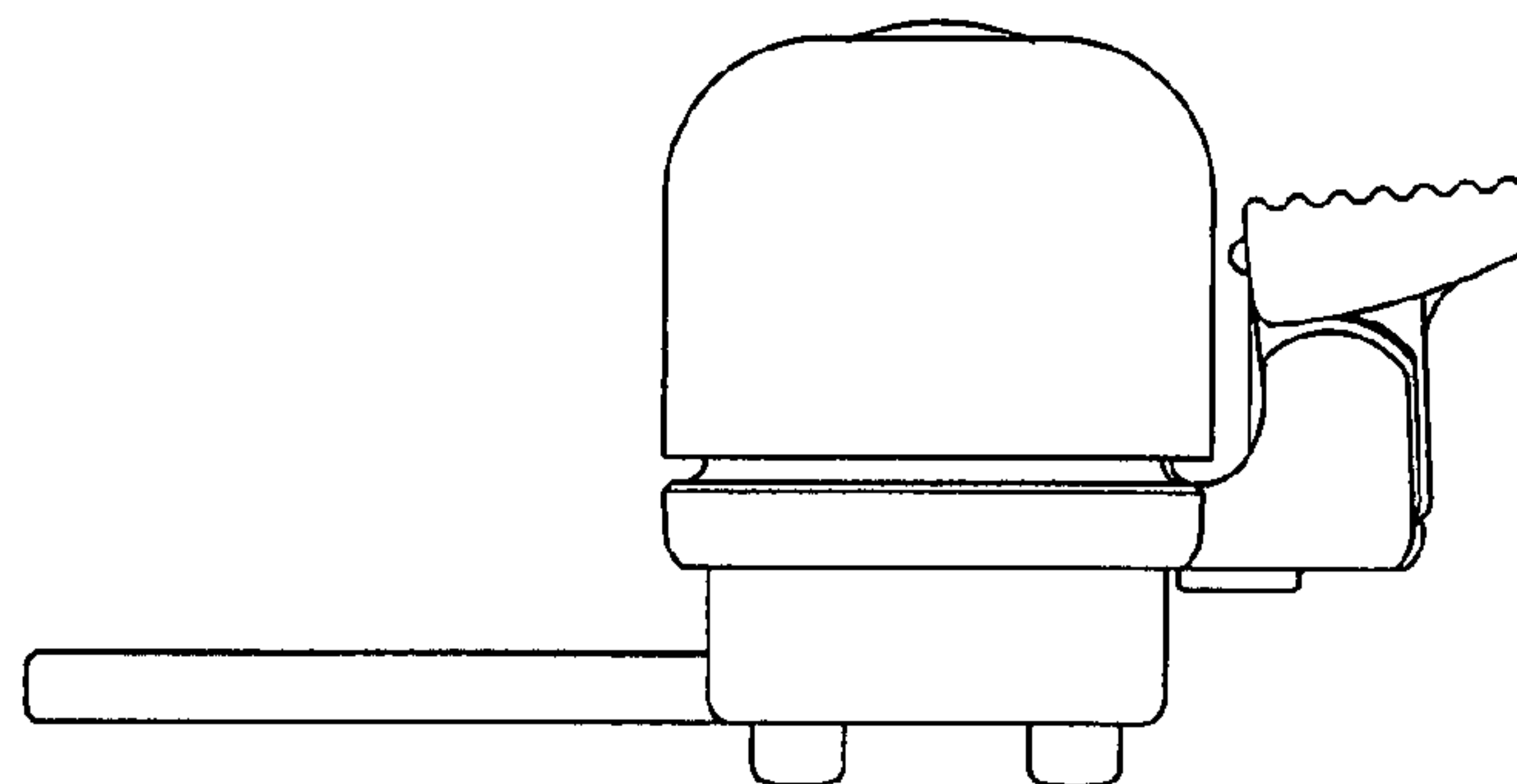


Fig. 4

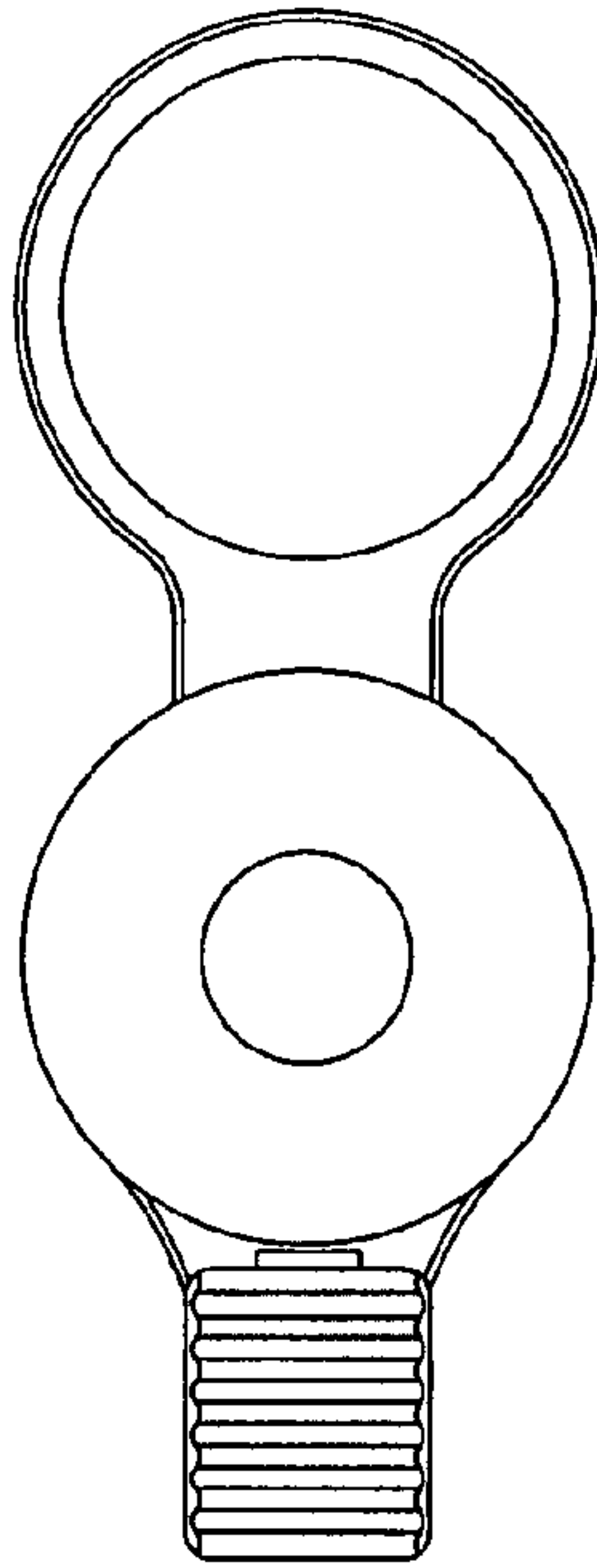


Fig. 5

