

US00D567692S

(12) **United States Design Patent**  
**Meyers et al.**

(10) **Patent No.:** **US D567,692 S**  
(45) **Date of Patent:** **\*\* Apr. 29, 2008**

(54) **DISPLAY DOORBELL CHIME COVER**

FOREIGN PATENT DOCUMENTS

(75) Inventors: **David O. Meyers**, Kaysville, UT (US);  
**Alfredo D. Carreno**, Aurora, IL (US);  
**Suzanne M. Loose**, Pewaukee, WI  
(US)

GB 2087980 \* 9/1999

(73) Assignee: **Broan-NuTone LLC**, Hartford, WI  
(US)

OTHER PUBLICATIONS

www.cybergiftcenter.com: picture of GE Smarthome JASSH51298  
(Picture Frame Wireless Door Chime Kit), dated Apr. 1, 2005 (1  
page).\*

(\*\*) Term: **14 Years**

(Continued)

(21) Appl. No.: **29/221,358**

*Primary Examiner*—Elizabeth A. Albert  
*Assistant Examiner*—Karen E Eldridge Powers  
(74) *Attorney, Agent, or Firm*—Michael Best & Friedrich  
LLP

(22) Filed: **Jan. 13, 2005**

(51) **LOC (8) Cl.** ..... **10-05**

(57) **CLAIM**

(52) **U.S. Cl.** ..... **D10/118**

The ornamental design for a display doorbell chime cover,  
as shown and described.

(58) **Field of Classification Search** ..... D6/300,  
D6/441, 446; D8/353, 16; D10/116, 118,  
D10/121; D23/366; D26/26, 85, 87, 118;  
116/141, 148; 40/738, 743, 792; D14/214,  
D14/371–382; D32/46

**DESCRIPTION**

See application file for complete search history.

FIG. 1 is a perspective view of a display doorbell chime  
cover;

(56) **References Cited**

U.S. PATENT DOCUMENTS

D114,688 S	5/1939	Rittenhouse et al.	
D141,481 S	6/1945	Abramson	
2,757,633 A	8/1956	Roseman	
2,850,724 A	9/1958	Bassani	
2,856,890 A	10/1958	Rinker	
D186,899 S	12/1959	Jolly	
3,012,538 A	12/1961	Roseman	
D208,917 S *	10/1967	Mellyn	D8/350
D257,601 S *	12/1980	Cyplik	D6/332
D257,602 S *	12/1980	Cyplik	D6/332
4,567,846 A	2/1986	Kurtz	
D303,255 S *	9/1989	Bratasevec	D14/371
D306,565 S	3/1990	Pawlik et al.	
5,182,872 A	2/1993	Lee et al.	
5,365,214 A	11/1994	Angott et al.	

FIG. 2 is a front view of the display doorbell chime cover  
shown in FIG. 1;

FIG. 3 is a rear view of the display doorbell chime cover  
shown in FIGS. 1 and 2;

FIG. 4 is a top view of the display doorbell chime cover  
shown in FIGS. 1–3;

FIG. 5 is a bottom view of the display doorbell chime cover  
shown in FIGS. 1–4;

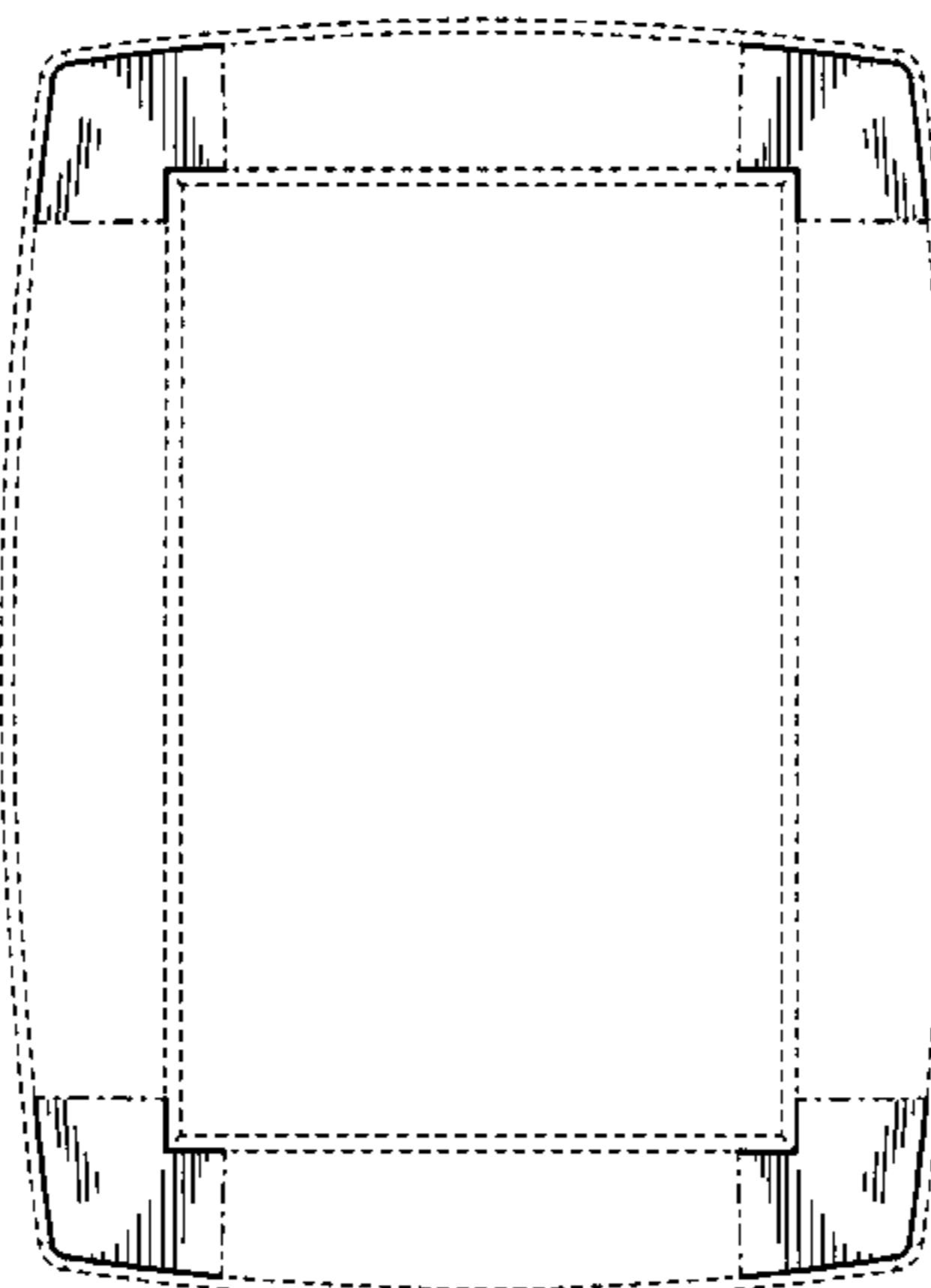
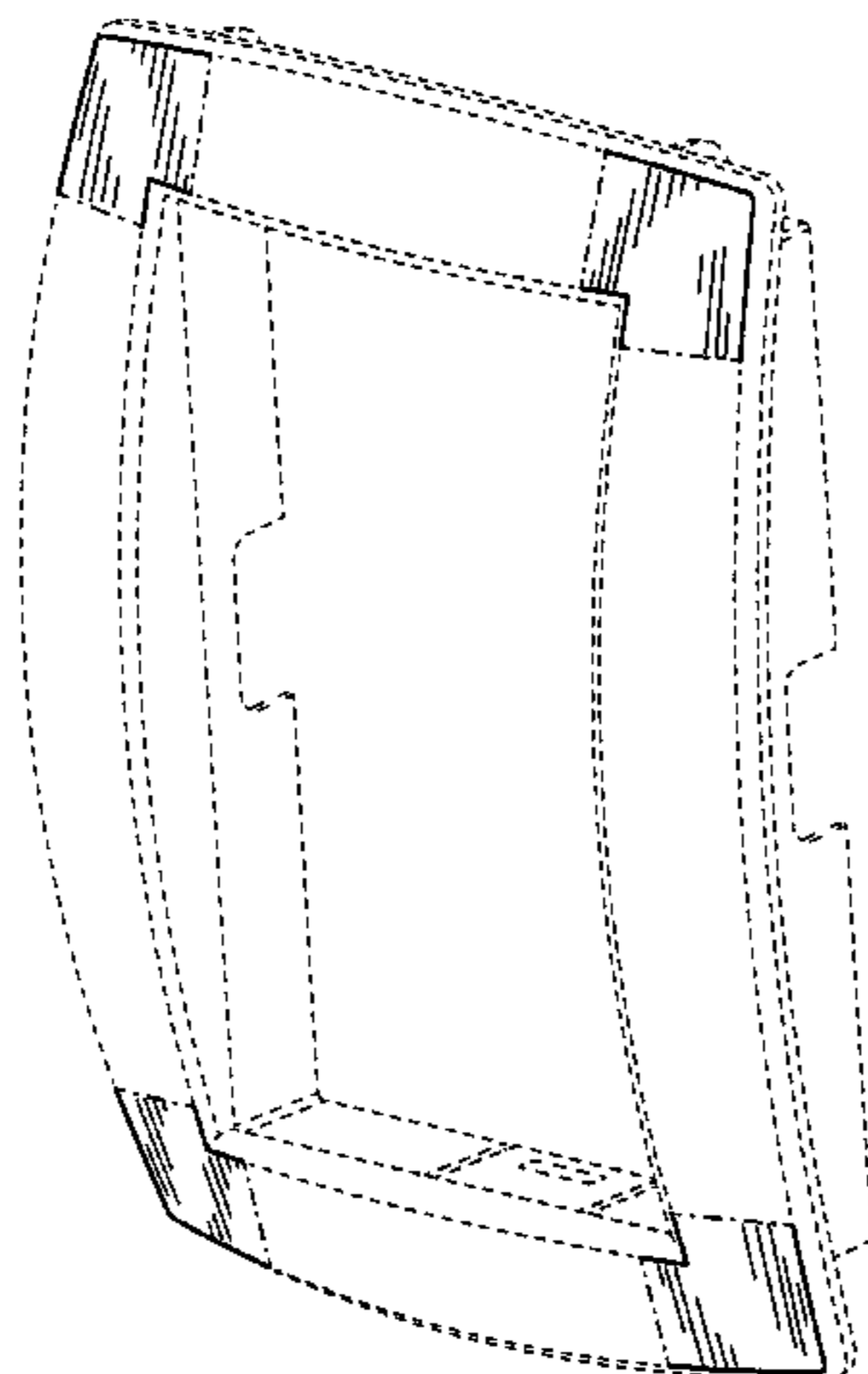
FIG. 6 is a right side view of the display doorbell chime  
cover shown in FIGS. 1–5; and,

FIG. 7 is a left side view of the display doorbell chime cover  
shown in FIGS. 1–6.

An alternate style of broken line, including alternating long  
and short dashes, is used to indicate the boundaries of the  
claimed subject matter and forms no part of the claimed  
design.

(Continued)

**1 Claim, 5 Drawing Sheets**



# US D567,692 S

Page 2

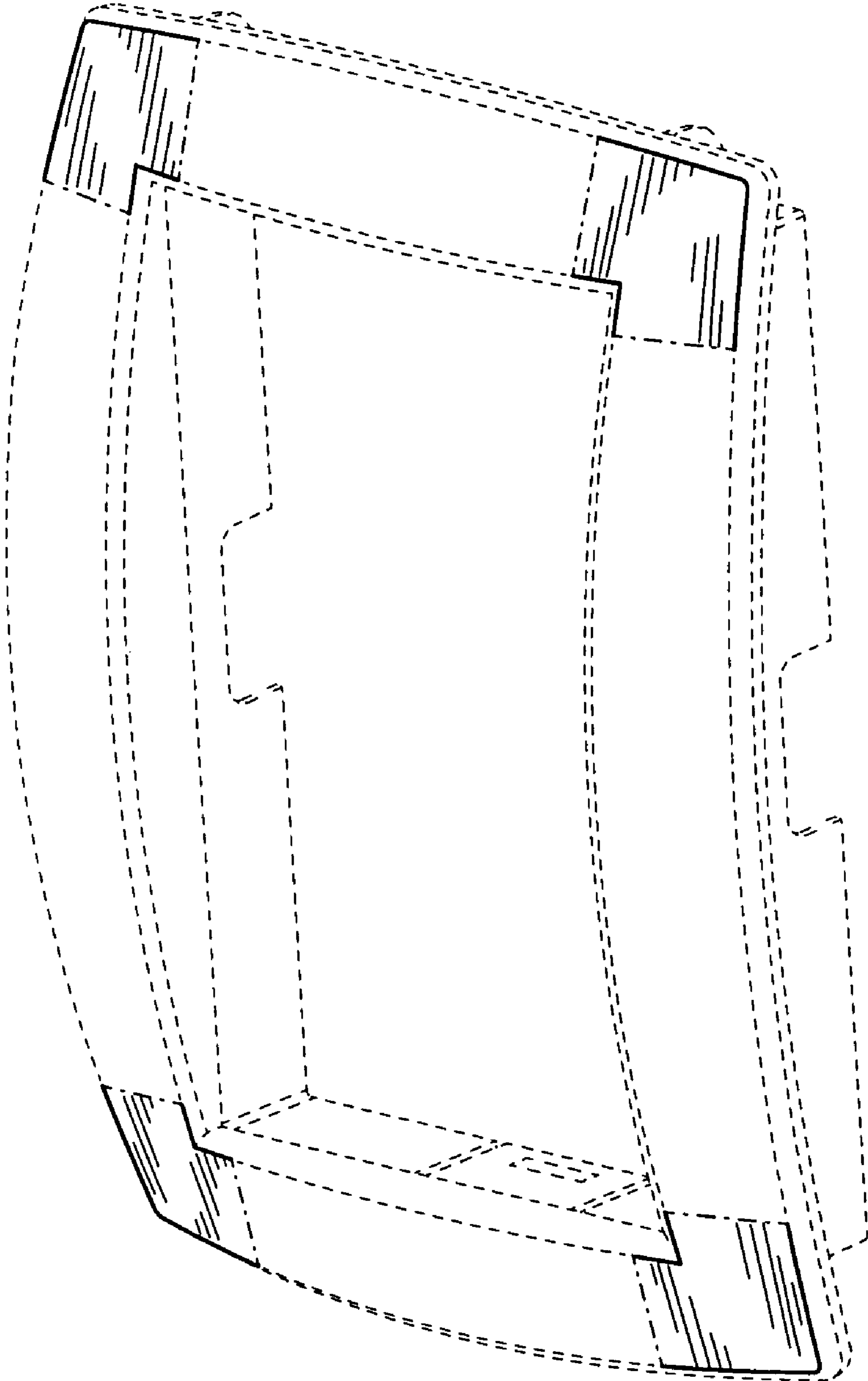
## U.S. PATENT DOCUMENTS

5,373,428	A *	12/1994	Day	362/223			
D357,469	S *	4/1995	Baek	D14/382			
D358,716	S *	5/1995	Chenevert	D6/300			
5,420,564	A	5/1995	Remington				
D364,987	S *	12/1995	Chow	D6/629			
5,475,369	A	12/1995	Baker				
5,499,465	A	3/1996	Manico				
D370,664	S *	6/1996	Oates	D14/382			
5,533,290	A	7/1996	Lee et al.				
D375,249	S *	11/1996	Scherer et al.	D8/353			
5,576,690	A	11/1996	Waugh et al.				
D376,214	S *	12/1996	Pinchuk	D26/26			
D376,798	S *	12/1996	Renk	D14/133			
5,604,478	A	2/1997	Grady et al.				
5,652,568	A	7/1997	Ko				
5,659,286	A	8/1997	Lin				
D384,947	S *	10/1997	Barthelemy et al.	D14/382			
D392,873	S *	3/1998	Scherer et al.	D8/353			
5,744,218	A *	4/1998	Barnes	428/192			
5,774,039	A	6/1998	Housley				
5,774,041	A	6/1998	Xydis et al.				
D399,673	S *	10/1998	Gongora et al.	D6/478			
D405,963	S *	2/1999	Arbak	D6/300			
D406,047	S *	2/1999	Scherer et al.	D8/353			
D407,666	S *	4/1999	Churchville	D11/132			
5,905,438	A	5/1999	Weiss et al.				
5,952,926	A	9/1999	Syverson				
5,969,627	A	10/1999	Tarlton				
5,973,591	A	10/1999	Schwartz et al.				
6,028,504	A	2/2000	Segan				
6,094,139	A	7/2000	Moore				
D430,478	S *	9/2000	De brey et al.	D8/353			
6,127,935	A	10/2000	Davidson et al.				
6,144,289	A	11/2000	Le Bel				
D442,587	S *	5/2001	Chang et al.	D14/380			
6,356,773	B1 *	3/2002	Rinot	455/575.1			
6,369,707	B1	4/2002	Neer				
6,380,852	B1	4/2002	Hartman et al.				
D456,932	S *	5/2002	Crosby	D26/85			
6,393,401	B1	5/2002	Loudermilk et al.				
D460,575	S *	7/2002	Tergny et al.	D26/89			
6,420,973	B2	7/2002	Acevedo				
D461,393	S *	8/2002	Aubert Capella	D8/353			
D462,253	S *	9/2002	Caveney et al.	D8/353			
D462,691	S *	9/2002	Attwood et al.	D14/439			
6,445,302	B2	9/2002	Vena				
D471,366	S *	3/2003	Park	D6/310			
D472,071	S *	3/2003	Peota	D6/475			
6,549,109	B1	4/2003	Yang				
D476,628	S *	7/2003	Millar	D13/158			
D478,832	S *	8/2003	Dipple	D10/106			
6,606,030	B2	8/2003	Vena				
6,653,931	B2	11/2003	Chiang				
6,750,760	B2	6/2004	Albritton et al.				
6,759,955	B2	7/2004	Koneff et al.				
D497,486	S *	10/2004	Quiel	D6/332			
D521,360	S *	5/2006	Chen	D8/353			
D525,794	S *	8/2006	Ball et al.	D6/332			
D527,192	S *	8/2006	Schaefer et al.	D6/300			
D527,534	S *	9/2006	Schaefer et al.	D6/300			
D529,722	S *	10/2006	Schaefer et al.	D6/300			
7,203,416	B2 *	4/2007	Craw et al.	392/350			
2003/0080855	A1	5/2003	Koneff et al.				
2004/0257222	A1	12/2004	Bentley				

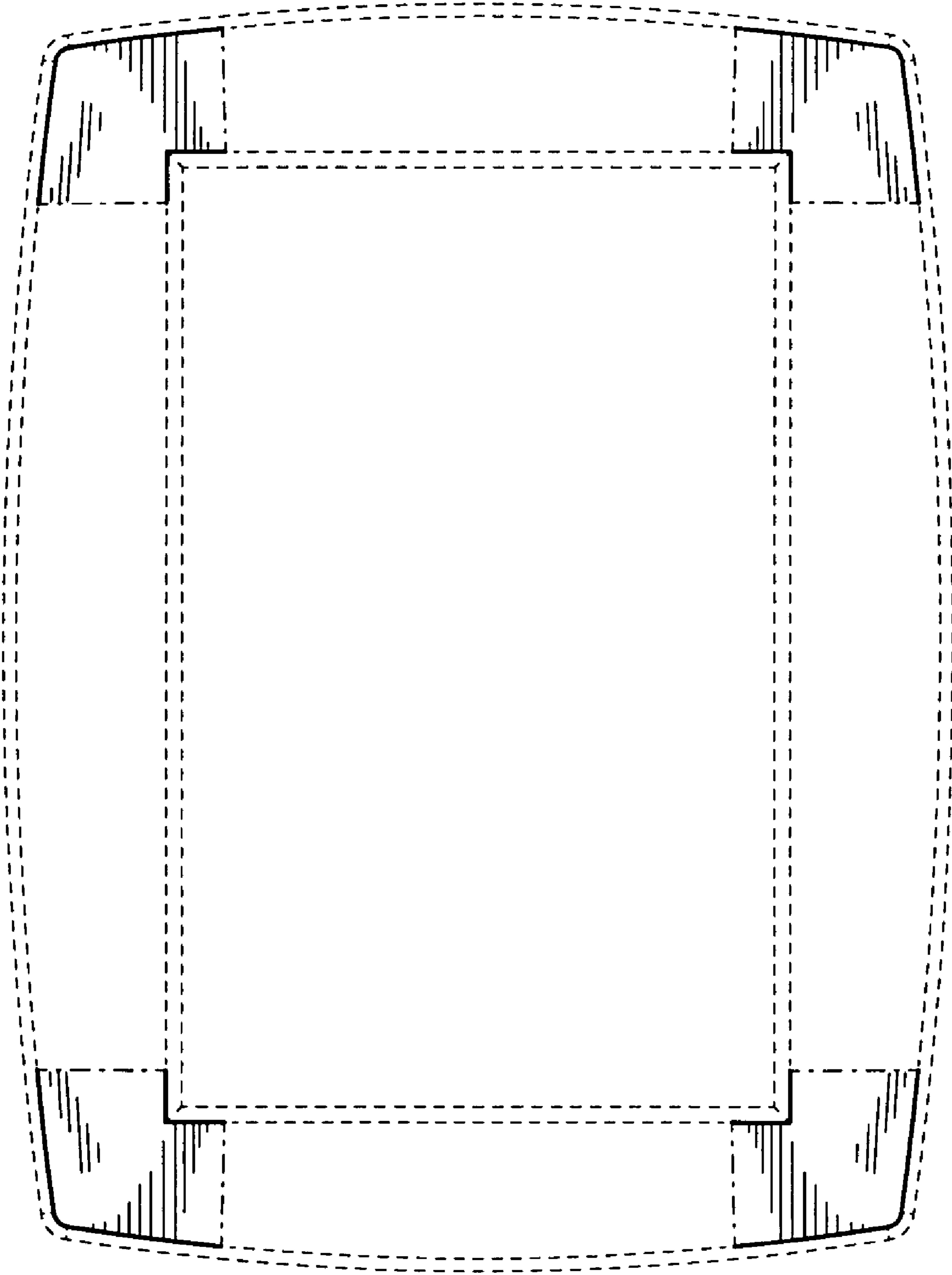
## OTHER PUBLICATIONS

www.holtkotter.com: picture of Trendline by ASL-Lichttechnik  
Wall Sconne No. 11210/1, dated Feb. 9, 2005 (1 page).\*

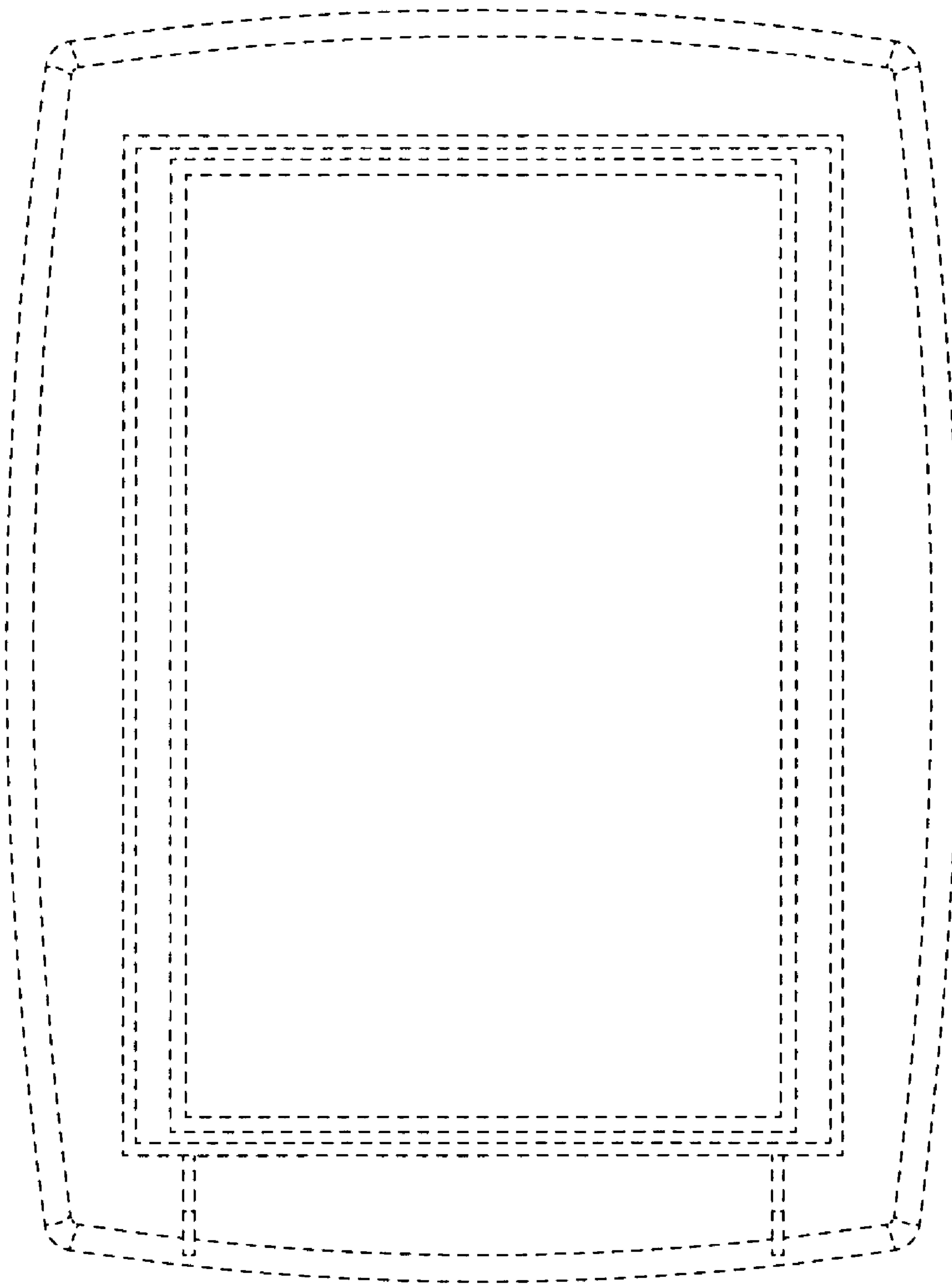
\* cited by examiner



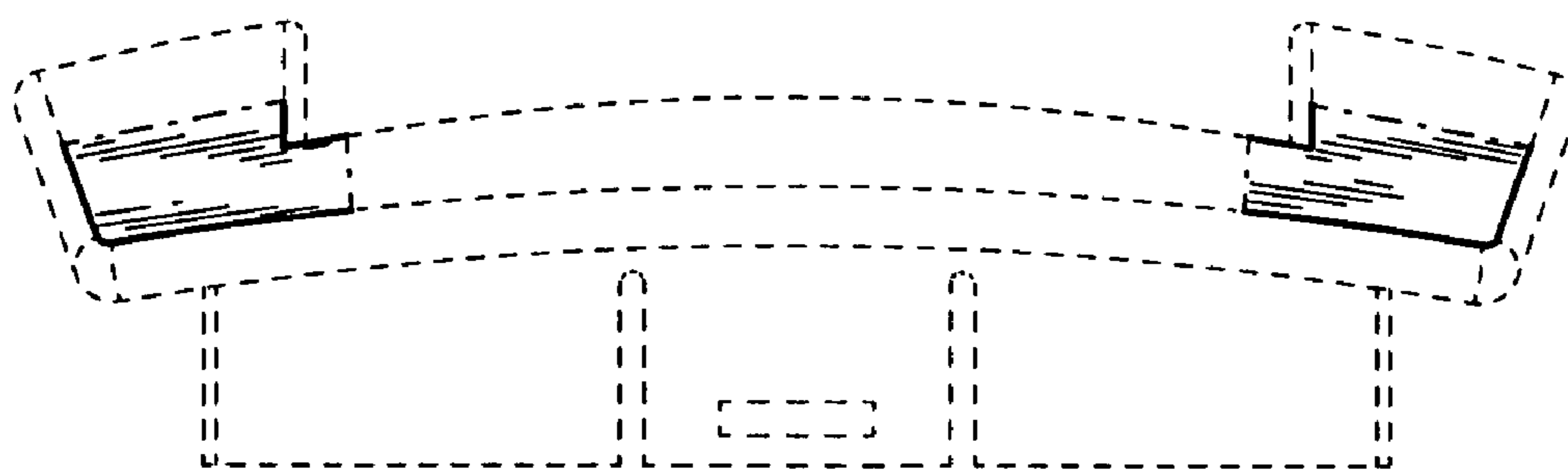
**FIG. 1**



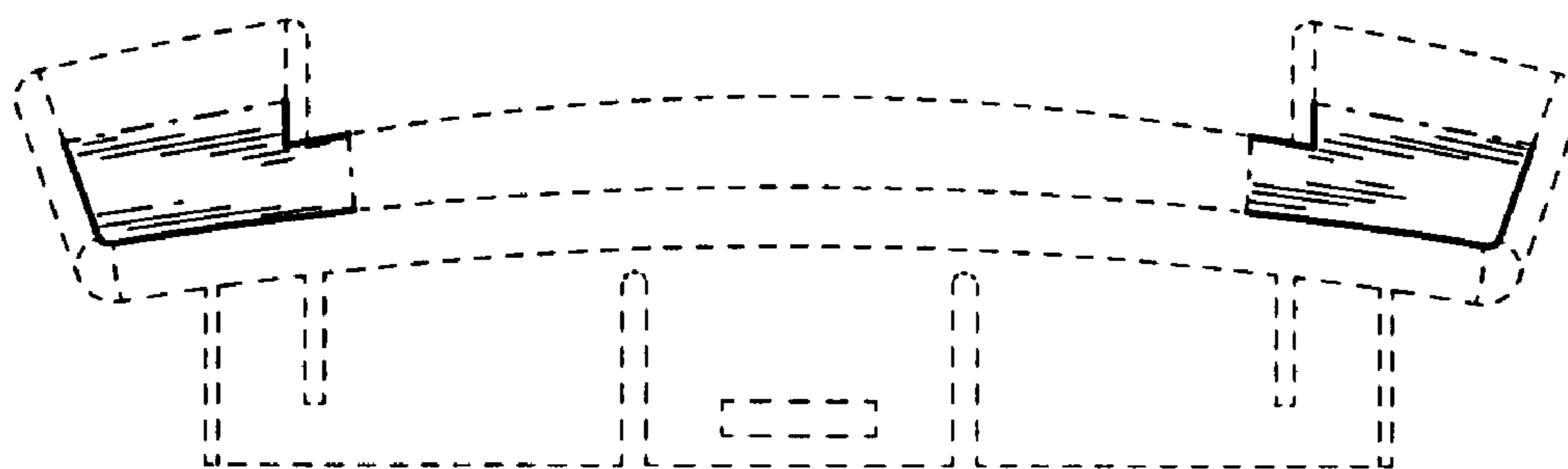
**FIG. 2**



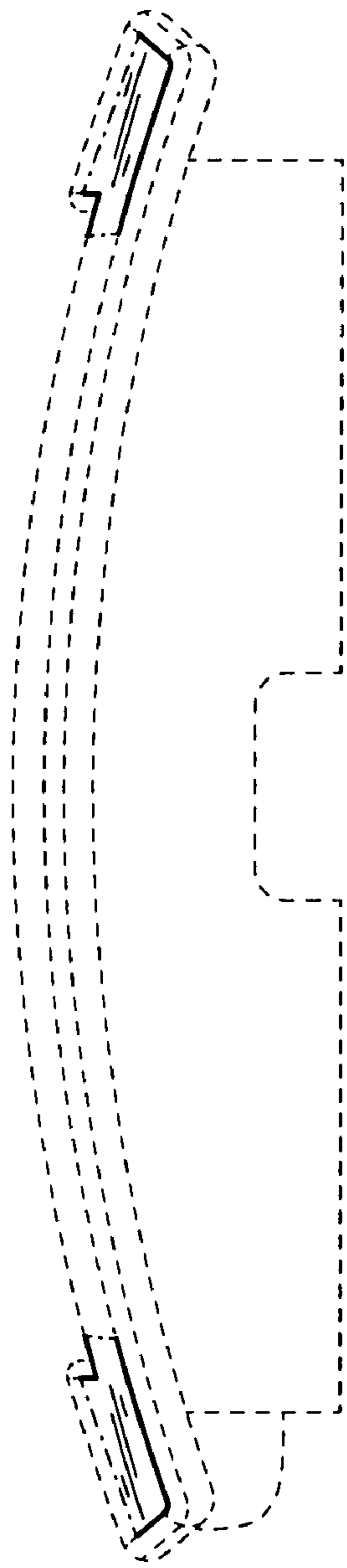
**FIG. 3**



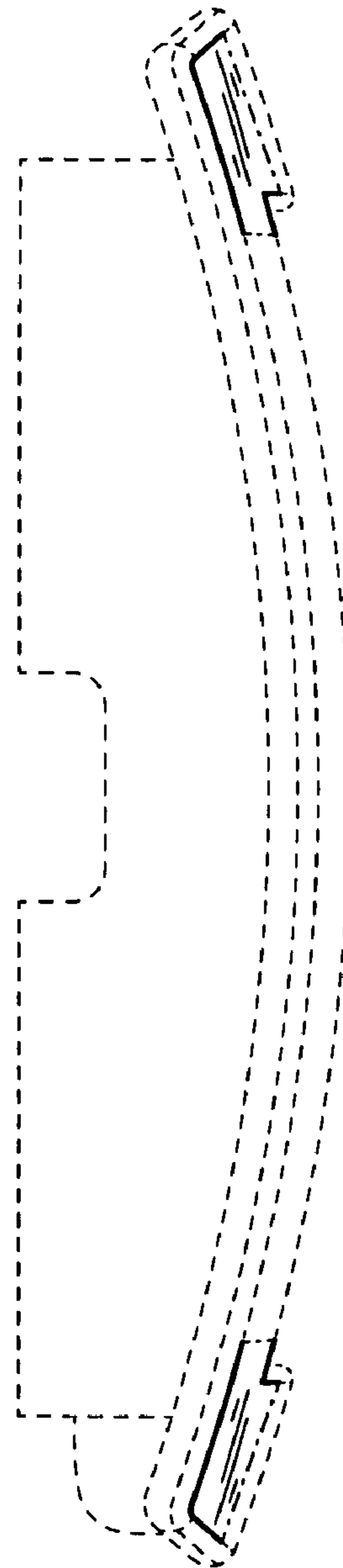
**FIG. 4**



**FIG. 5**



**FIG. 6**



**FIG. 7**