

US00D567689S

(12) **United States Design Patent**
Chung

(10) **Patent No.:** **US D567,689 S**

(45) **Date of Patent:** **** Apr. 29, 2008**

(54) **LIGHTNING ROD**

2004/0105211 A1* 6/2004 Chung 361/220

(76) Inventor: **Young-ki Chung**, 102-1404, Samsung Apt., 374, Dongsan-dong, Yeongdongpo-gu, Seoul 150-040 (KR)

OTHER PUBLICATIONS

Co-pending U.S. Appl. No. 29/271,787, filed Jan. 26, 2007.
Co-pending U.S. Appl. No. 29/266,864, filed Sep. 29, 2006.

(**) Term: **14 Years**

* cited by examiner

(21) Appl. No.: **29/271,797**

Primary Examiner—Robert M. Spear
Assistant Examiner—George D Kirschbaum

(22) Filed: **Jan. 26, 2007**

(74) *Attorney, Agent, or Firm*—Hamre, Schumann, Mueller & Larson, P.C.

(30) **Foreign Application Priority Data**

(57) **CLAIM**

Dec. 27, 2006 (KR) 30-2006-0051712

The ornamental design for a lightning rod, as shown and described.

(51) **LOC (8) Cl.** **10-05**

(52) **U.S. Cl.** **D10/105**

(58) **Field of Classification Search** D10/104-121;
361/220; 174/3, 33

DESCRIPTION

See application file for complete search history.

FIG. 1 is a front perspective view of a lightning rod in accordance with my invention thereof;

FIG. 2 is a front view thereof;

(56) **References Cited**

U.S. PATENT DOCUMENTS

D305,104 S	*	12/1989	Heary	D10/105
D375,272 S	*	11/1996	Heary	D10/105
D487,028 S	*	2/2004	Chung	D10/105
6,815,606 B1	*	11/2004	Chung	174/3
D502,658 S	*	3/2005	Chung	D10/105
D502,659 S	*	3/2005	Chung	D10/105
D511,115 S	*	11/2005	Chung et al.	D10/105

FIG. 3 is a rear view thereof;

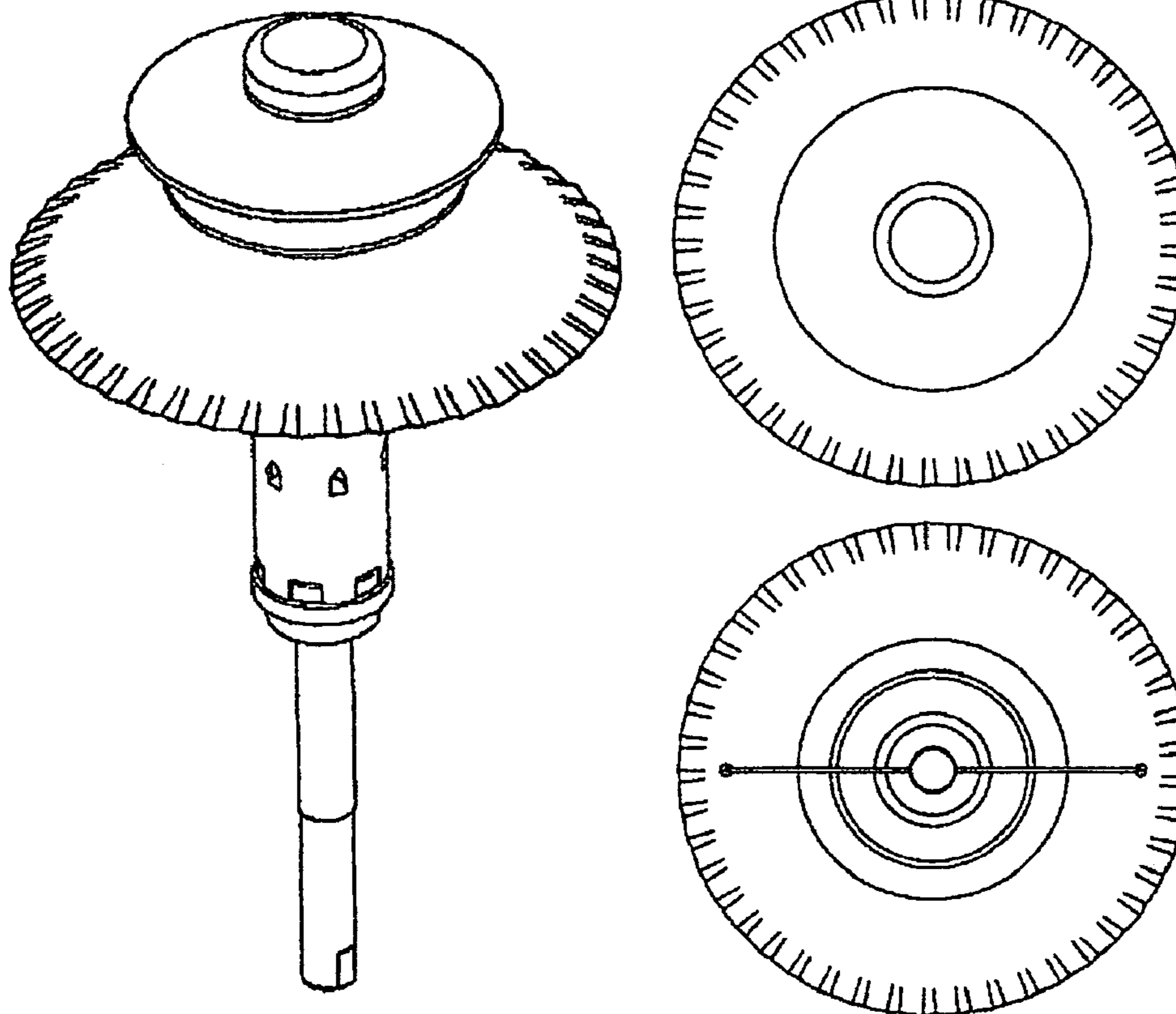
FIG. 4 is a left view thereof;

FIG. 5 is a right view thereof;

FIG. 6 is a top view thereof; and,

FIG. 7 is a bottom view thereof.

1 Claim, 7 Drawing Sheets



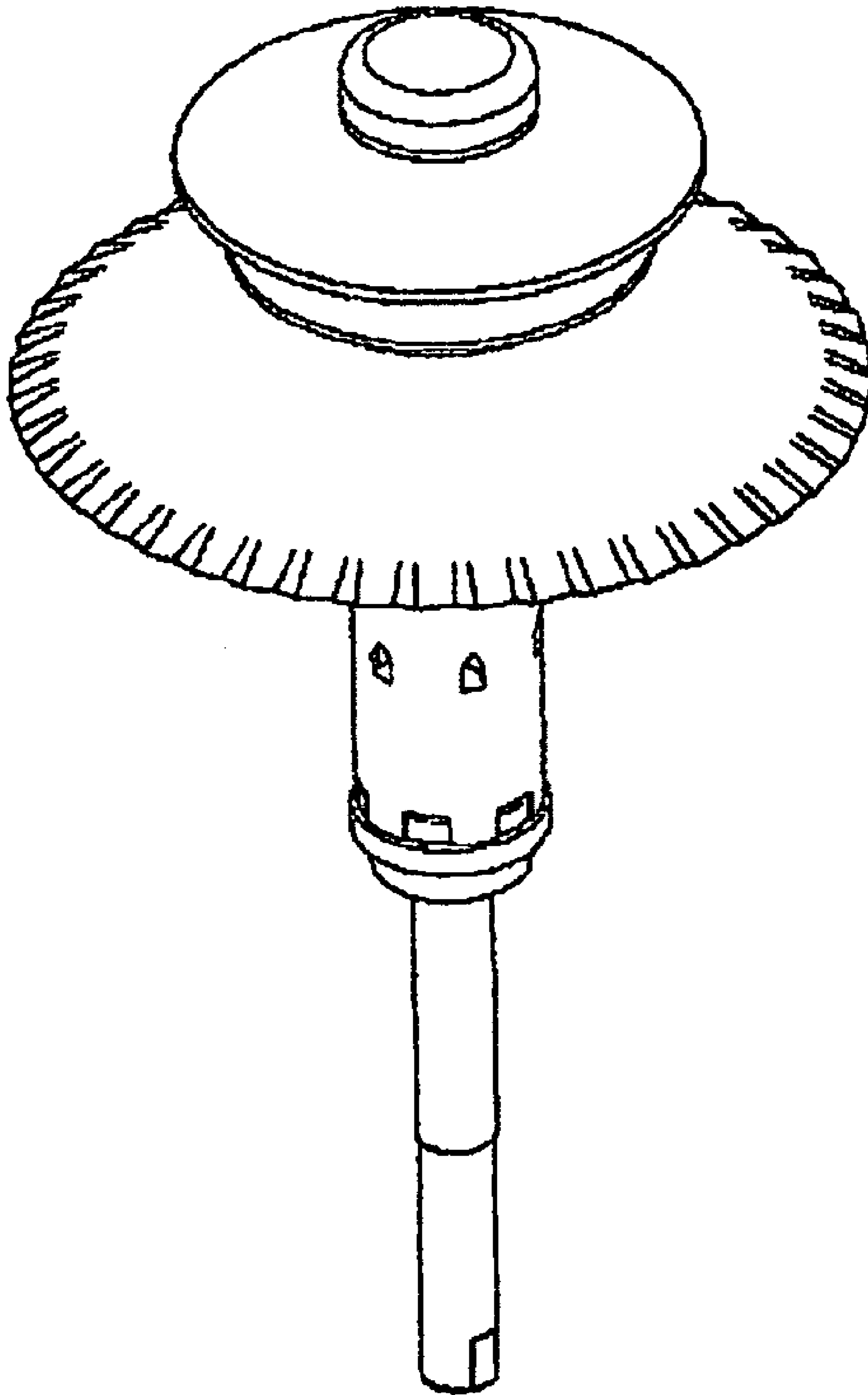


Fig. 1

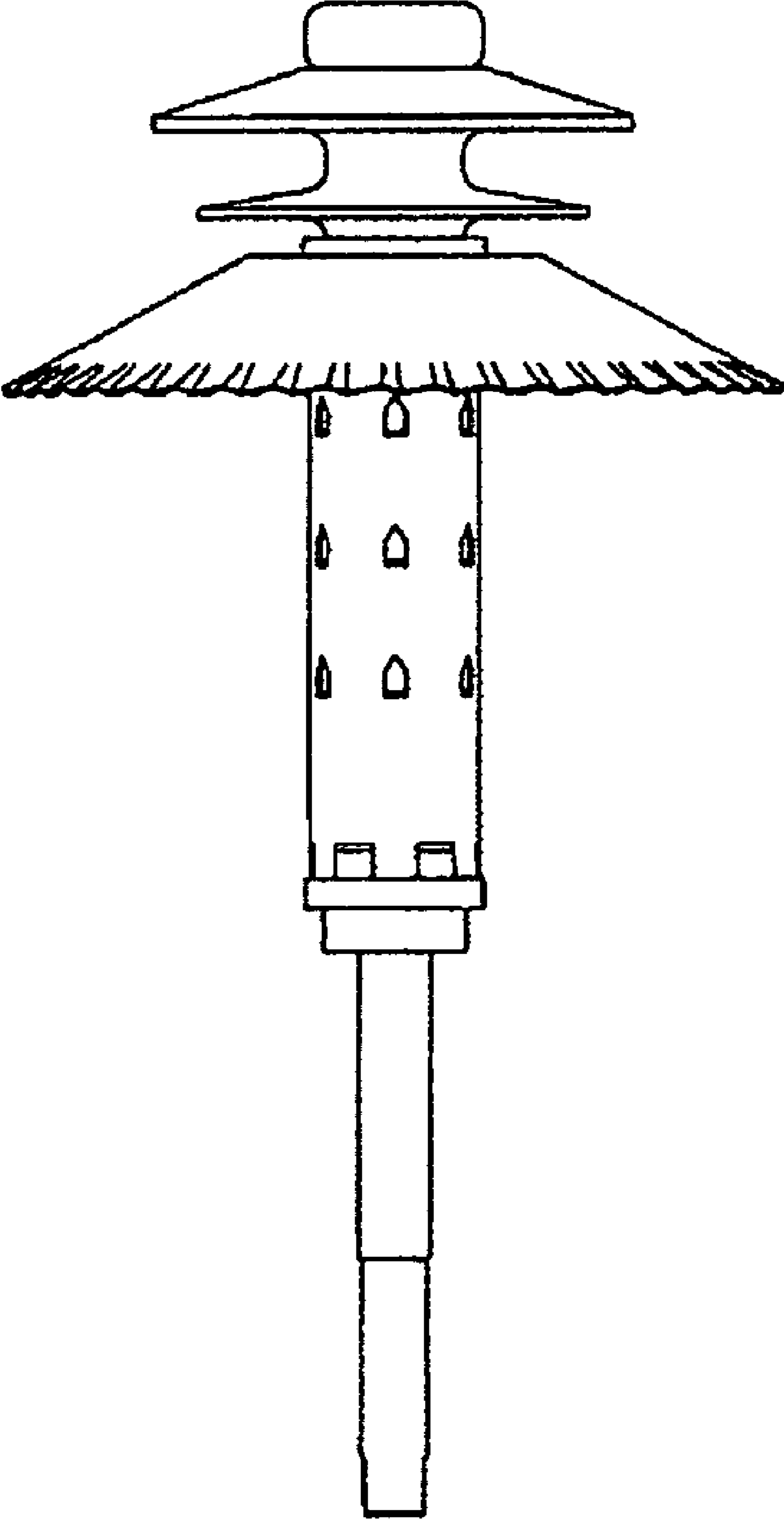


Fig. 2

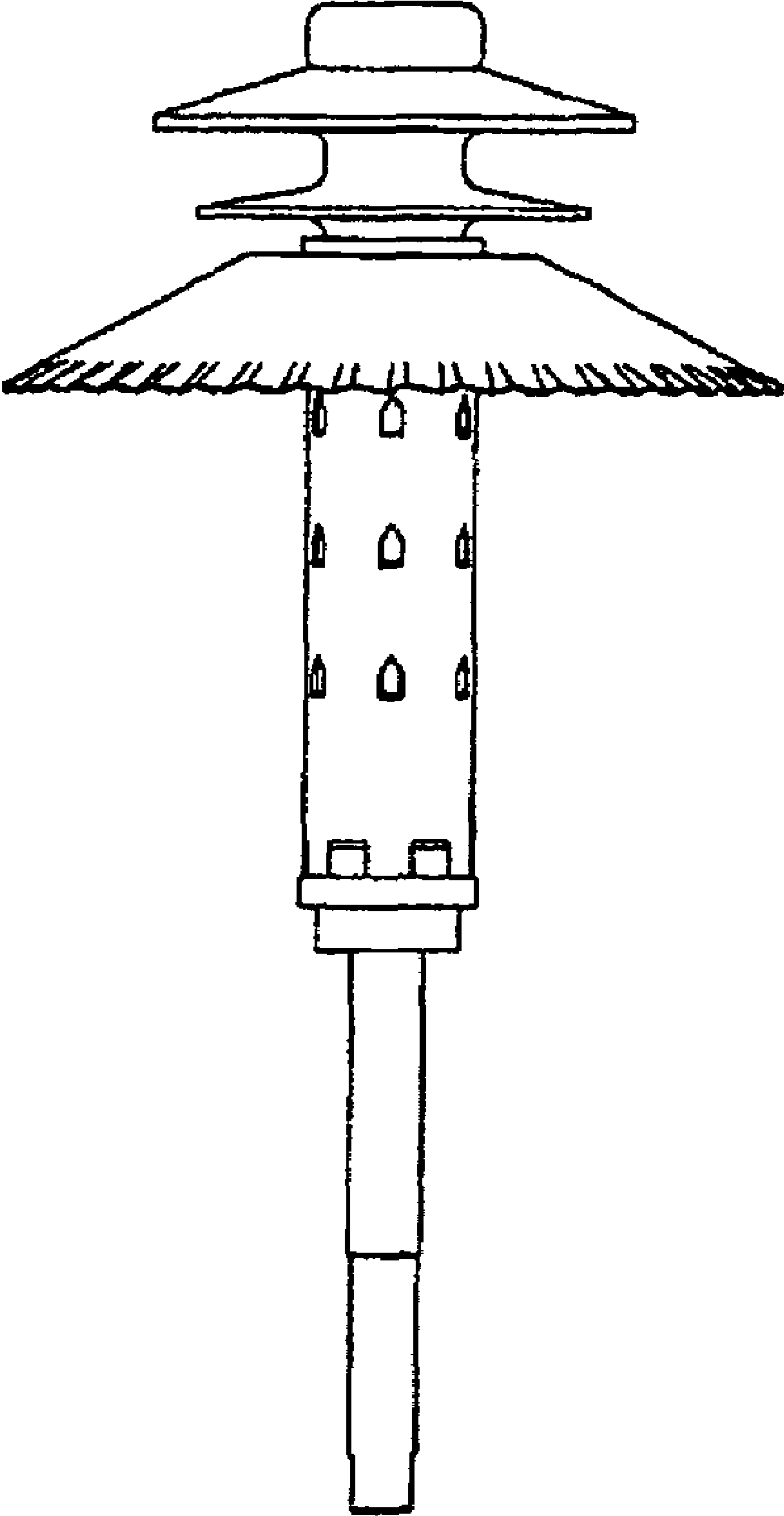


Fig. 3

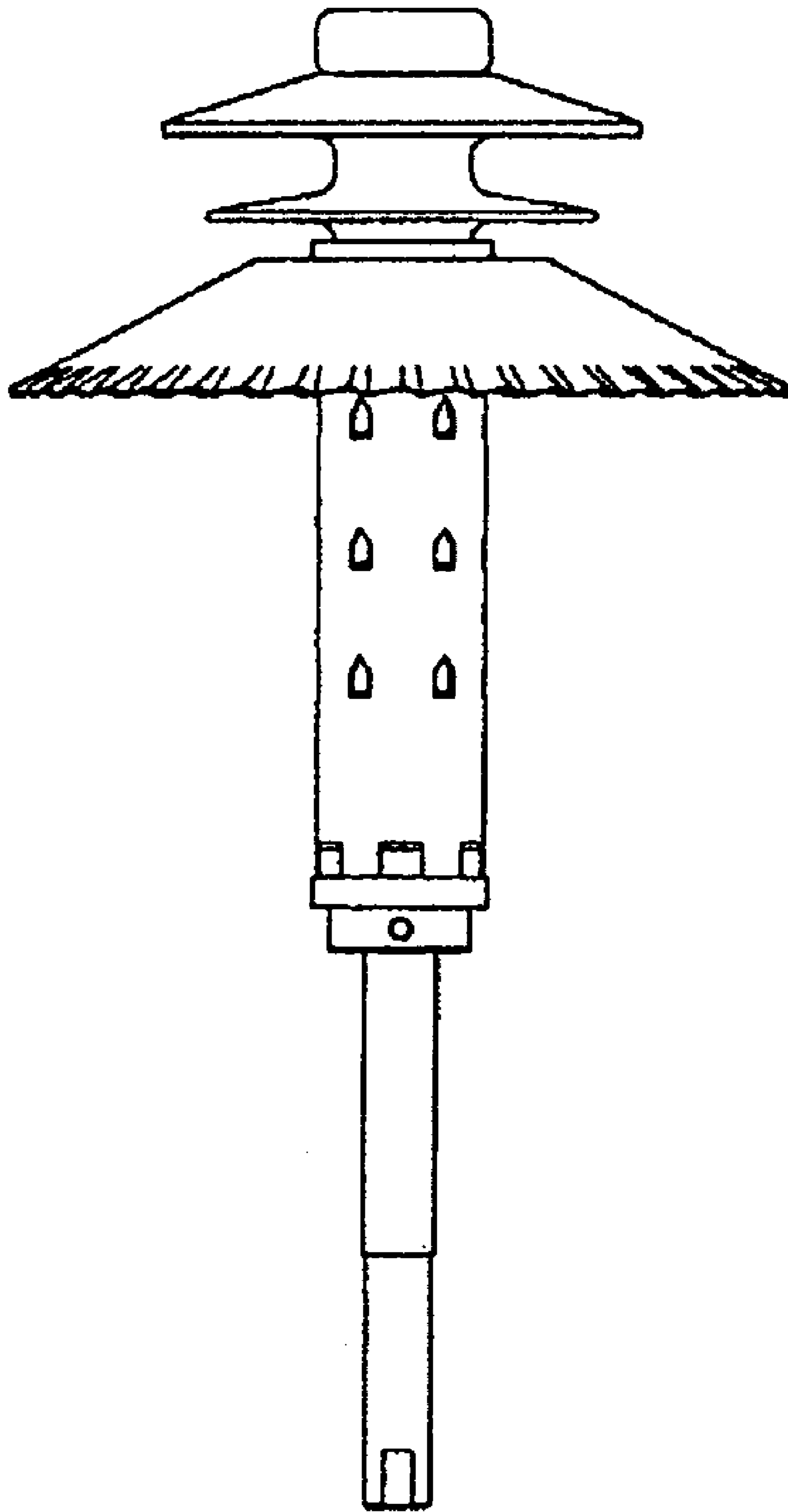


Fig. 4

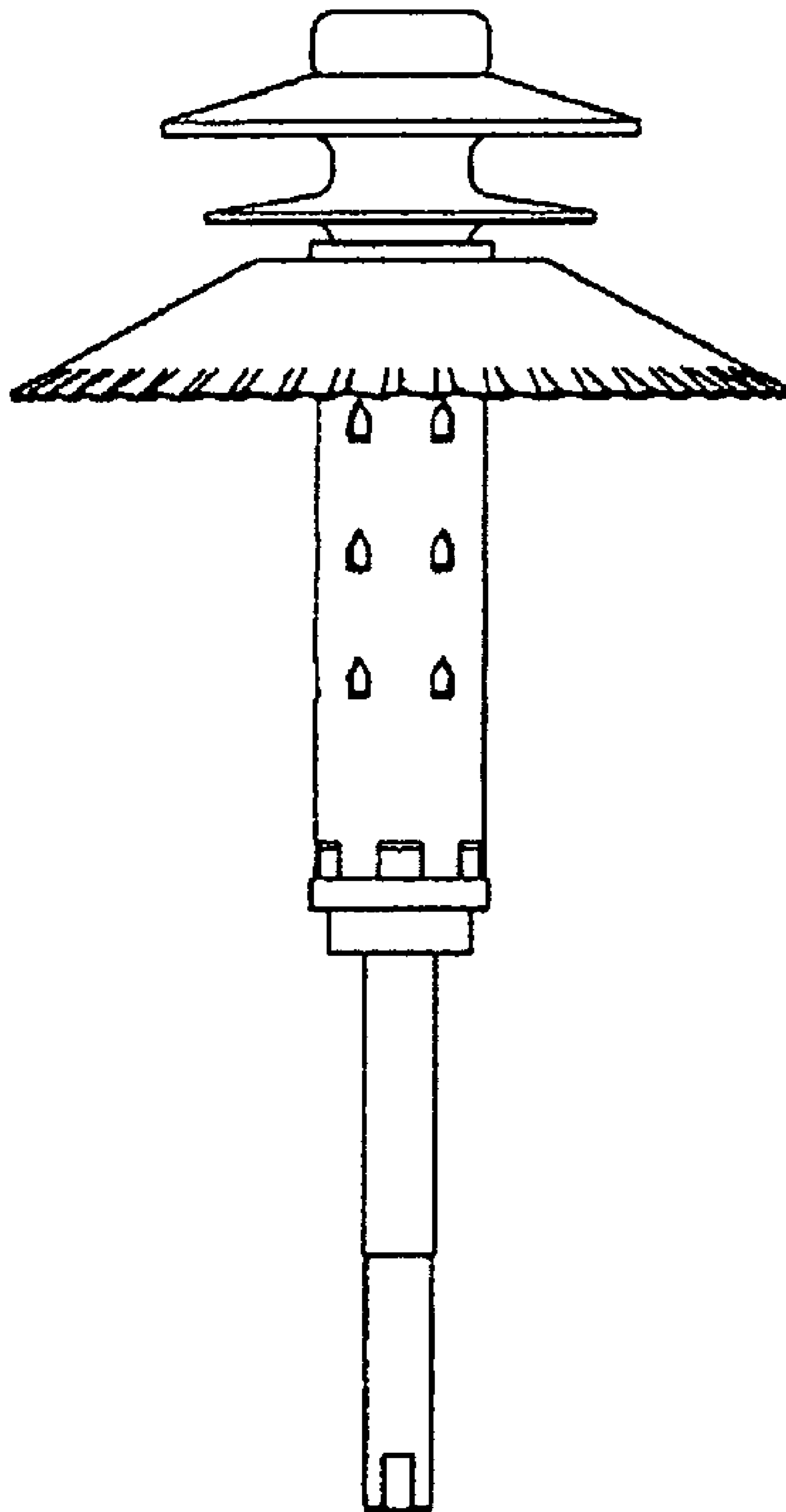


Fig. 5

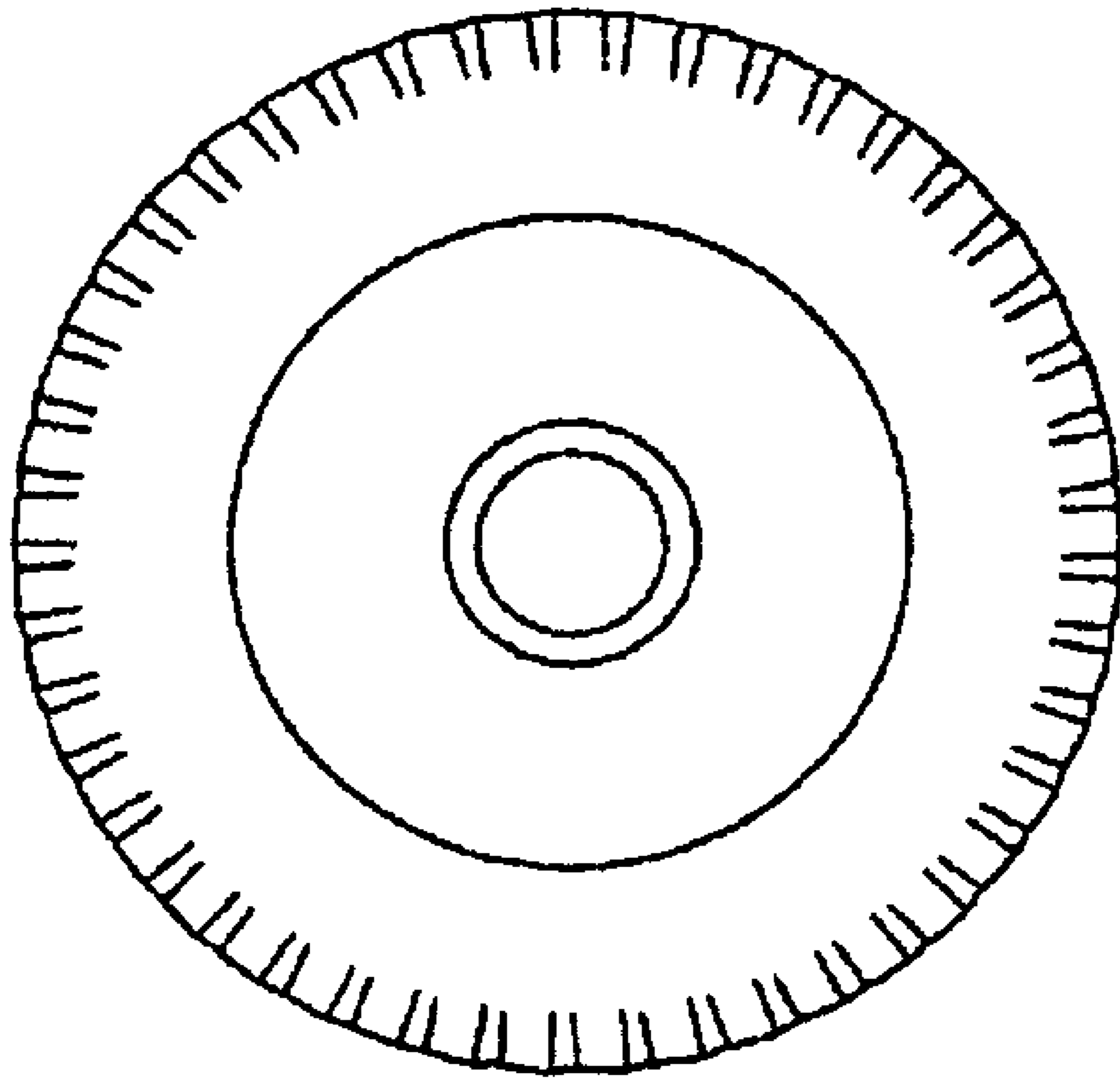


Fig. 6

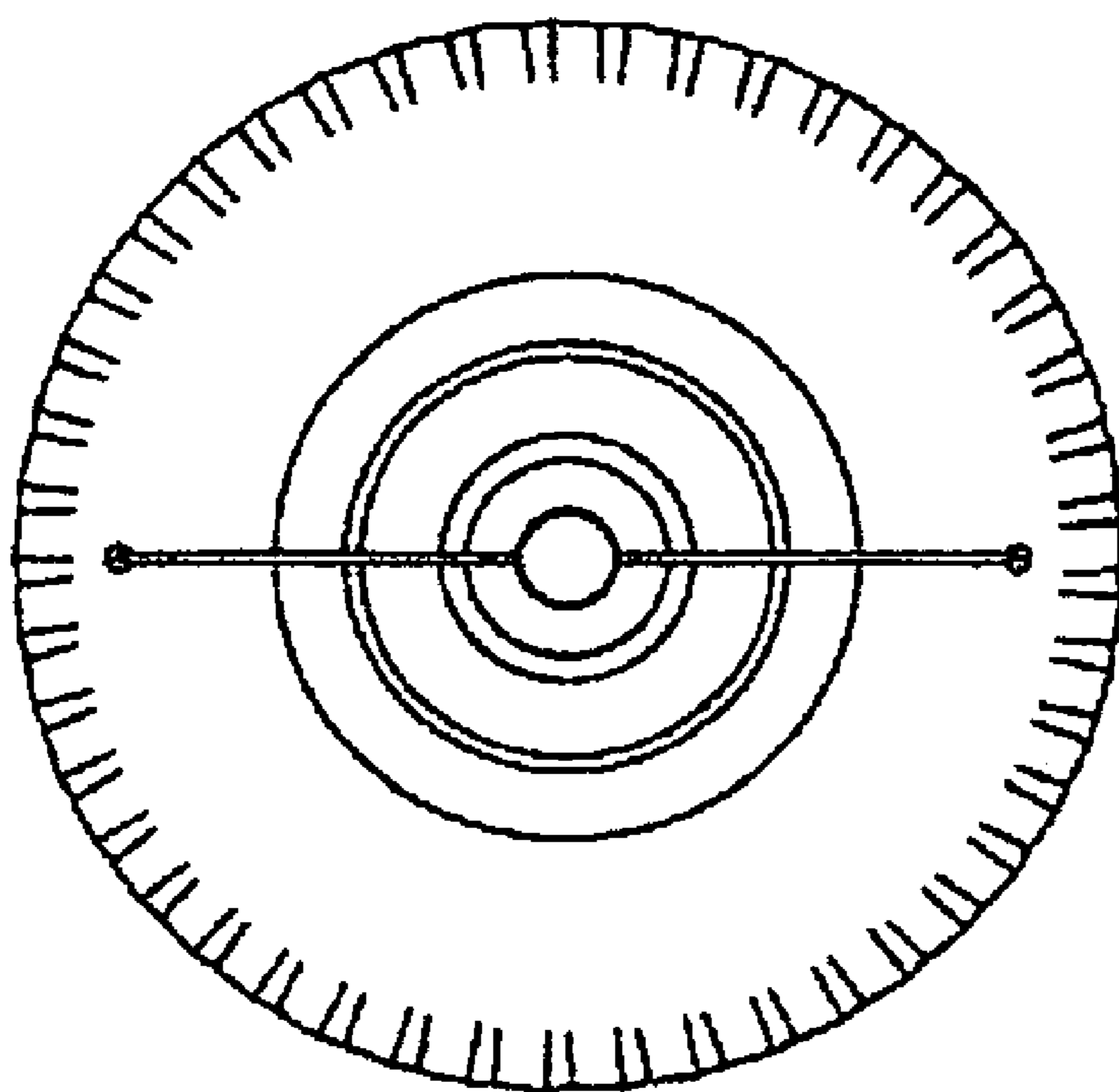


Fig. 7