

US00D567686S

(12) **United States Design Patent**
Davies

(10) **Patent No.:** **US D567,686 S**

(45) **Date of Patent:** **** Apr. 29, 2008**

(54) **ELECTRONIC TAPE MEASURE**

(75) Inventor: **Rosalind Ann Davies**, London (GB)

(73) Assignee: **C-Measurement Solutions Limited**,
Bangor (GB)

(**) Term: **14 Years**

(21) Appl. No.: **29/278,400**

(22) Filed: **Mar. 28, 2007**

(51) **LOC (8) Cl.** **10-04**

(52) **U.S. Cl.** **D10/72**

(58) **Field of Classification Search** D10/72;
D19/67, 69; 33/755-771; 242/292, 381.1-381.6
See application file for complete search history.

(56) **References Cited**

U.S. PATENT DOCUMENTS

D328,471 S *	8/1992	Halm	D19/69
D328,921 S *	8/1992	Halm	D19/69
D379,770 S *	6/1997	Trevino	D10/72
6,477,785 B1 *	11/2002	Hsu	33/761

* cited by examiner

Primary Examiner—Antoine D. Davis

(74) *Attorney, Agent, or Firm*—Robert L. Stearns;
Dickinson Wright PLLC

(57) **CLAIM**

I claim the ornamental design for an electronic tape measure,
as shown and described.

DESCRIPTION

FIG. 1 is a right side view of the electronic tape measure of
the invention;

FIG. 2 is a left side view of the electronic tape measure of
the invention;

FIG. 3 is a front view of the electronic tape measure of the
invention;

FIG. 4 is a back view of the electronic tape measure of the
invention;

FIG. 5 is a top view of the electronic tape measure of the
invention; and,

FIG. 6 is a bottom view of the electronic tape measure of the
invention.

1 Claim, 4 Drawing Sheets

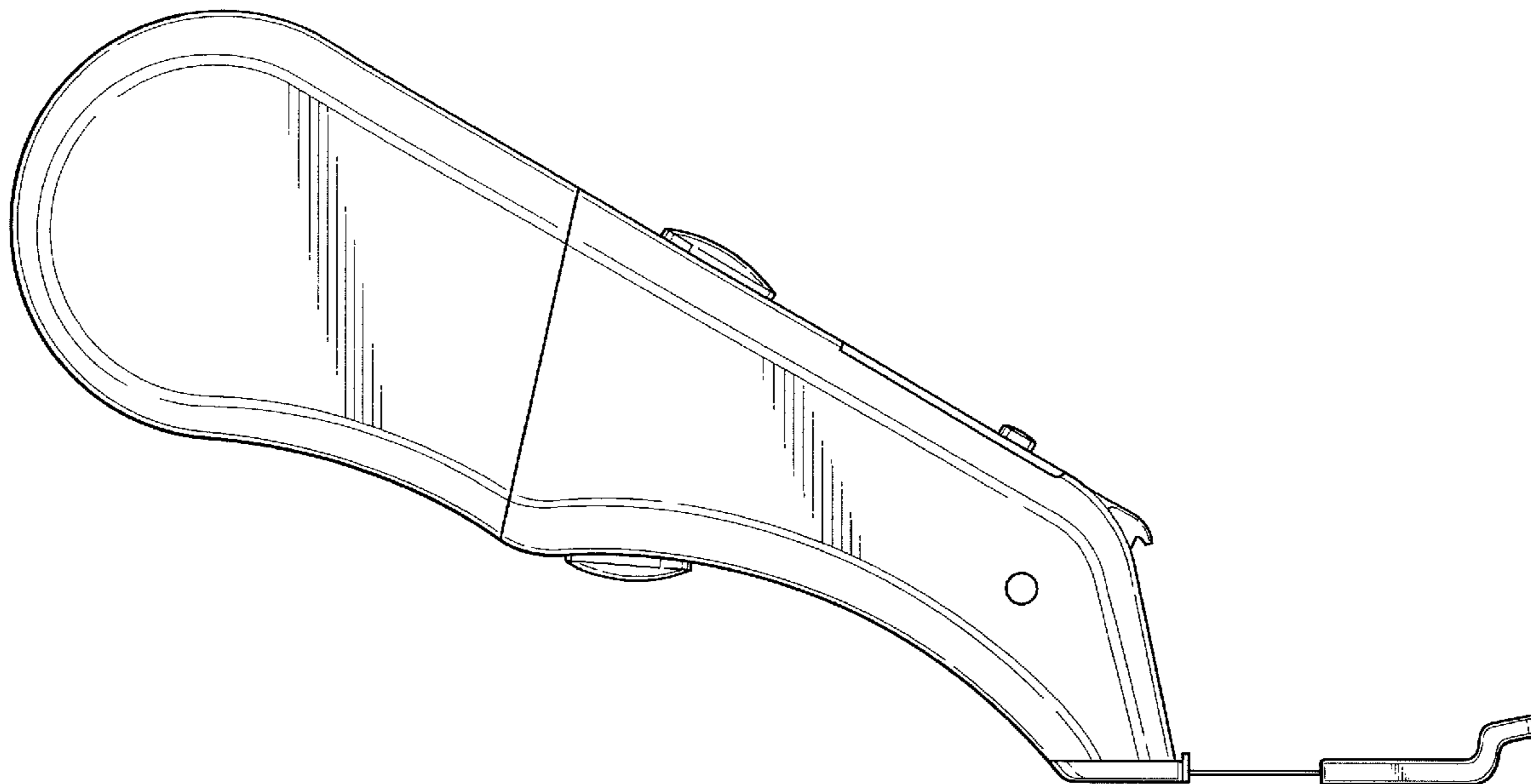
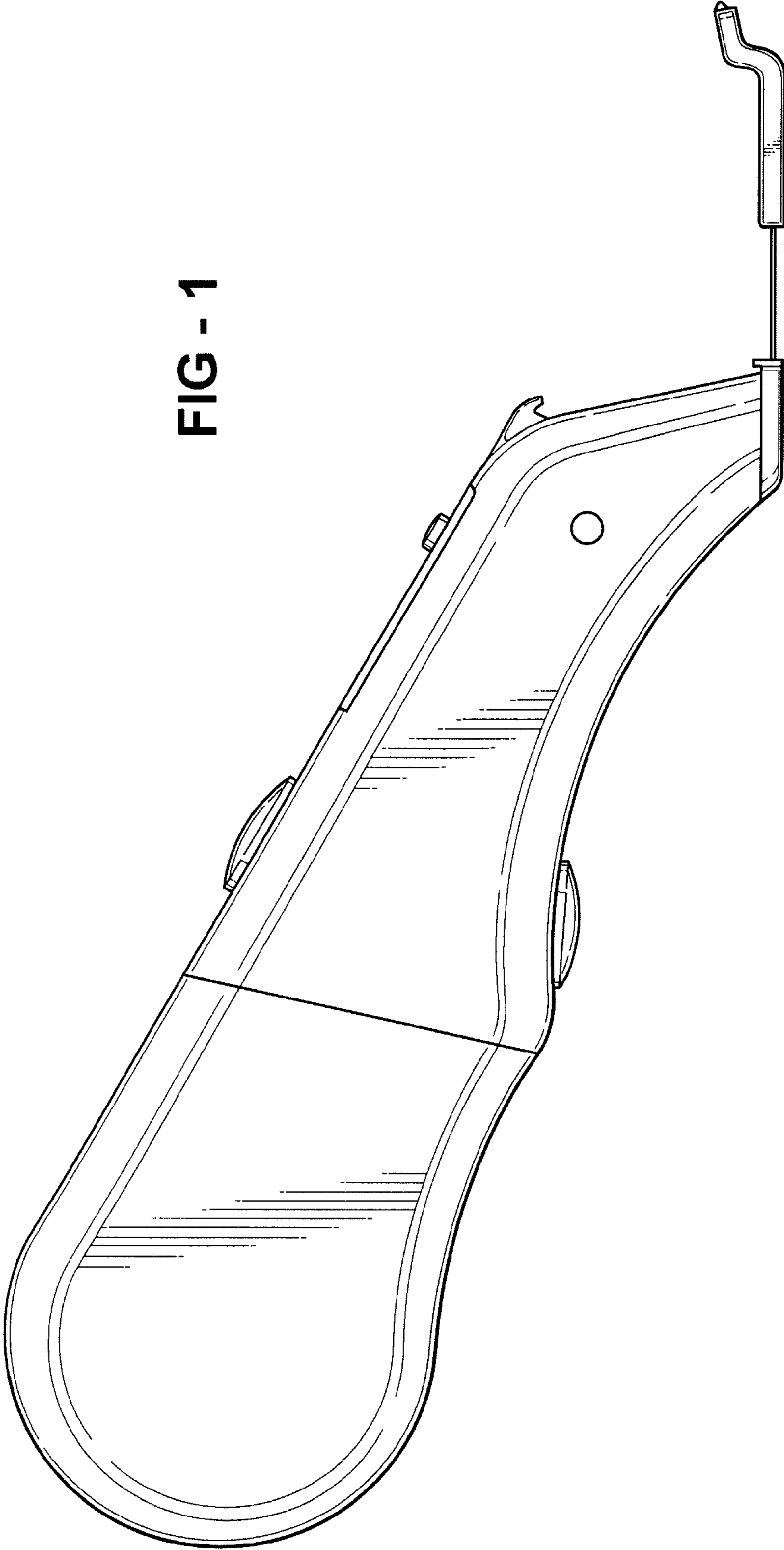


FIG - 1



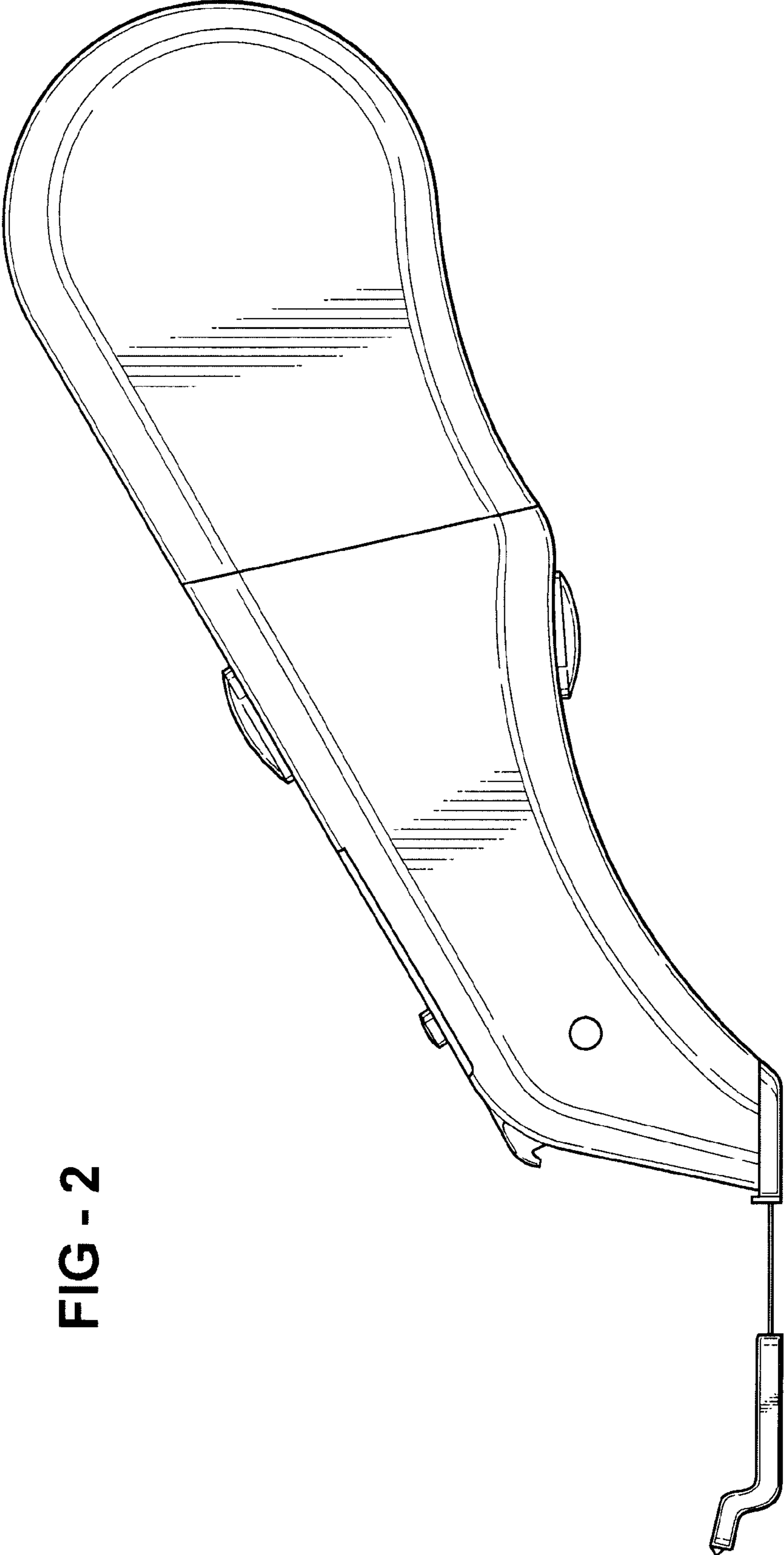


FIG - 2

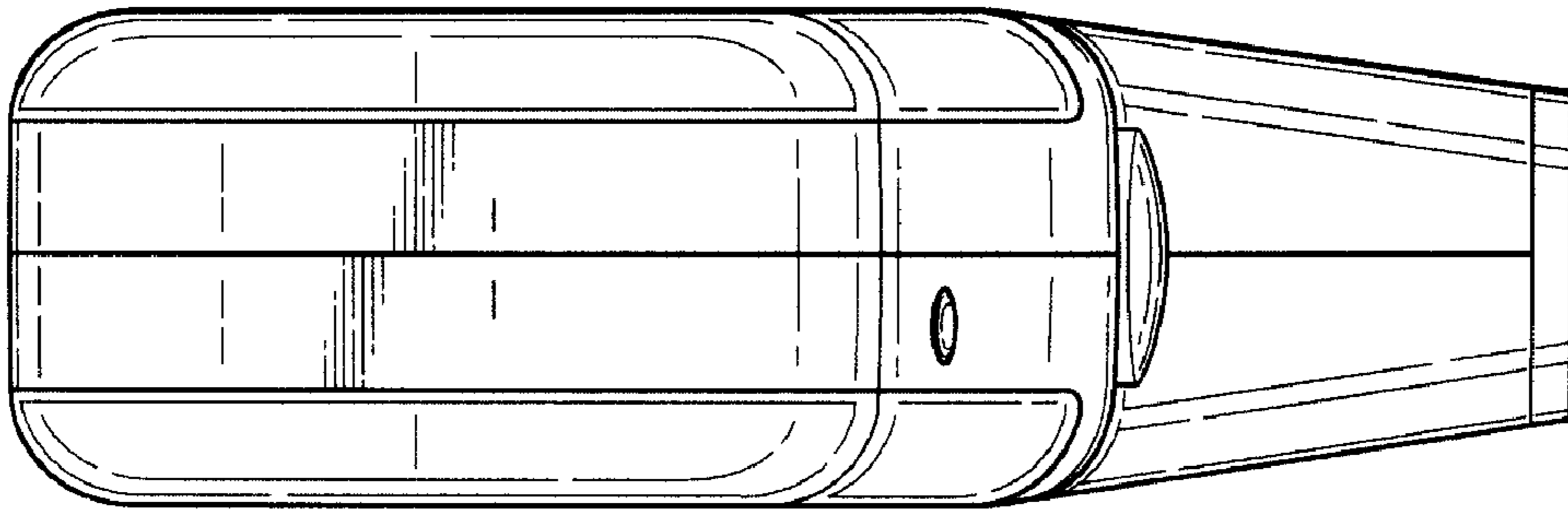


FIG - 4

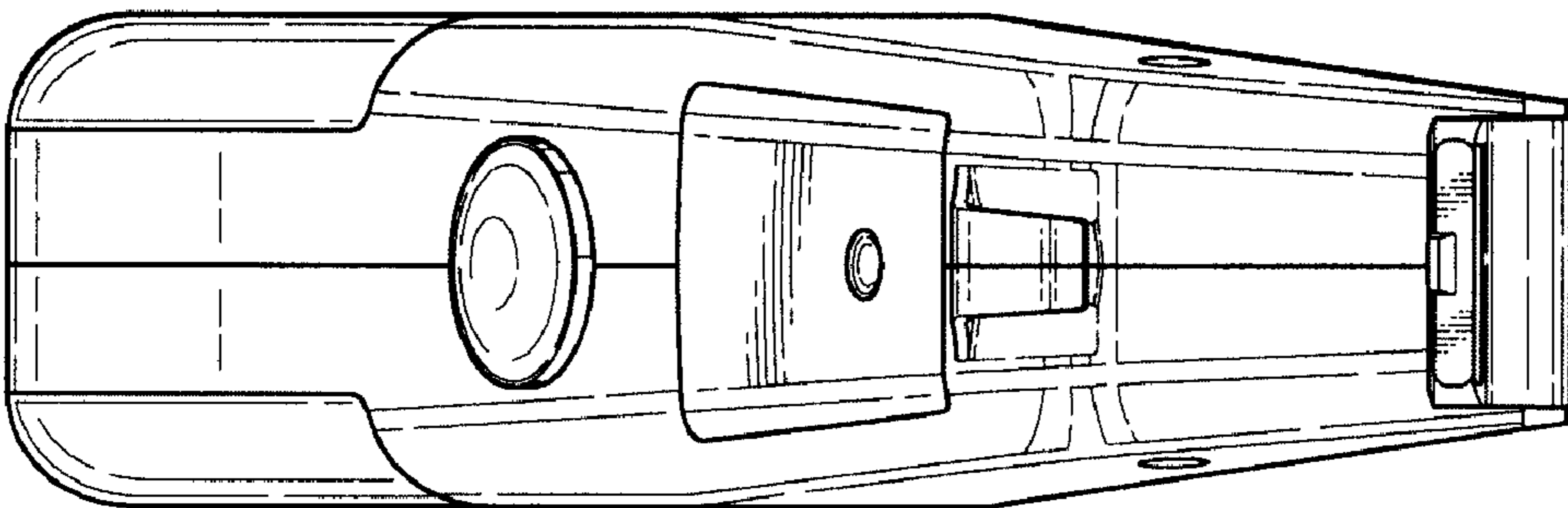


FIG - 3

FIG - 5

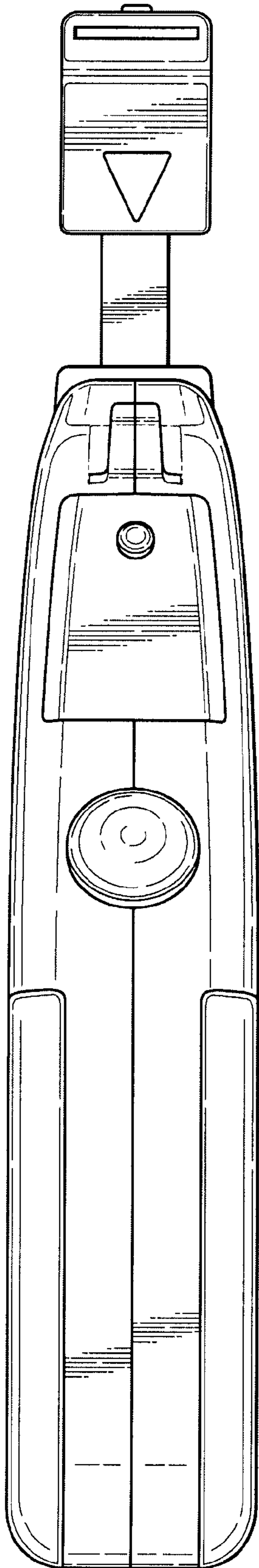
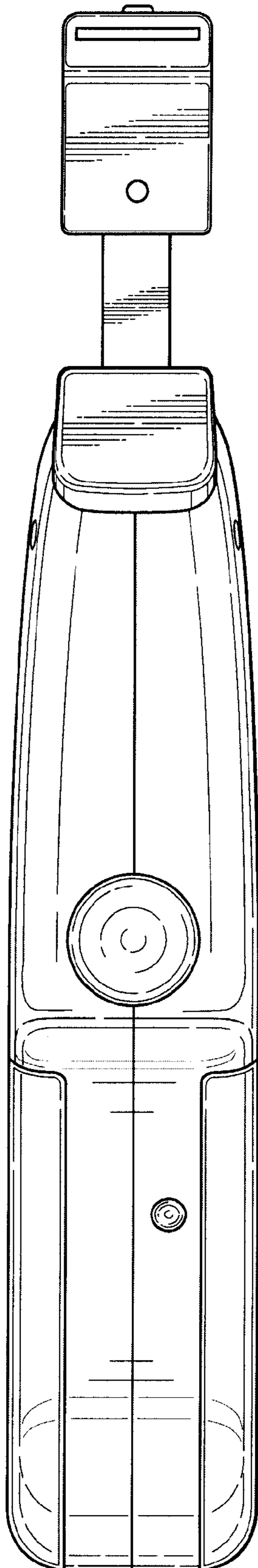


FIG - 6



UNITED STATES PATENT AND TRADEMARK OFFICE
CERTIFICATE OF CORRECTION

PATENT NO. : Des. 567,686 S
APPLICATION NO. : 29/278400
DATED : April 29, 2008
INVENTOR(S) : Rosalind Ann Davies

Page 1 of 1

It is certified that error appears in the above-identified patent and that said Letters Patent is hereby corrected as shown below:

On the title page, item:
(73) Assignee: "C-Measurement Solutions Limited" should read -- E-Measurement Solutions Limited --.

Signed and Sealed this

Twenty-ninth Day of July, 2008

A handwritten signature in black ink that reads "Jon W. Dudas". The signature is written in a cursive style with a large, looped initial "J".

JON W. DUDAS
Director of the United States Patent and Trademark Office