



US00D567685S

(12) **United States Design Patent**  
**Burkandt**

(10) **Patent No.:** **US D567,685 S**

(45) **Date of Patent:** **\*\* Apr. 29, 2008**

(54) **LINE LASER DEVICE**

(75) Inventor: **Marco Burkandt**, Isernhagen (DE)

(73) Assignee: **Leica Geosystems, AG**, Heerbrugg (CH)

(\*\*) Term: **14 Years**

(21) Appl. No.: **29/277,304**

(22) Filed: **Feb. 21, 2007**

(51) **LOC (8) Cl.** ..... **10-04**

(52) **U.S. Cl.** ..... **D10/69**

(58) **Field of Classification Search** ..... D10/69,  
D10/70; 33/276, 277, 281, 285, 286, 290,  
33/291-299, DIG. 21; 340/573.1, 573.4,  
340/539, 825.36, 825.46, 825.49, 555-557;  
356/5.15, 4.01, 5.01, 4.05, 5.05-5.09, 5.12,  
356/28.5, 345, 375, 3, 128-155, 399-400;  
385/83, 97-99, 134-139; 701/211-213,  
701/150, 158; 264/1.24-1.25

See application file for complete search history.

(56) **References Cited**

**U.S. PATENT DOCUMENTS**

D521,400 S \* 5/2006 Liu ..... D10/69  
D523,363 S \* 6/2006 Wu ..... D10/69  
7,134,211 B2 \* 11/2006 Bascom et al. .... 33/286

D537,373 S \* 2/2007 Lin ..... D10/69  
7,178,250 B2 \* 2/2007 Nash et al. .... 33/286  
D538,691 S \* 3/2007 Munroe et al. .... D10/69  
7,204,027 B2 \* 4/2007 Tacklind ..... 33/286  
D548,118 S \* 8/2007 Snider et al. .... D10/69  
7,260,895 B2 \* 8/2007 Long et al. .... 33/286  
D550,106 S \* 9/2007 Baumgaertner ..... D10/69

\* cited by examiner

*Primary Examiner*—Antoine D. Davis

(74) *Attorney, Agent, or Firm*—Woodard Emhardt Moriarty  
McNett & Henry LLP

(57) **CLAIM**

The ornamental design for a line laser device, as shown and described.

**DESCRIPTION**

FIG. 1 is a left side elevational view of the device of FIG. 4;

FIG. 2 is a rear view;

FIG. 3 is a right side elevational view;

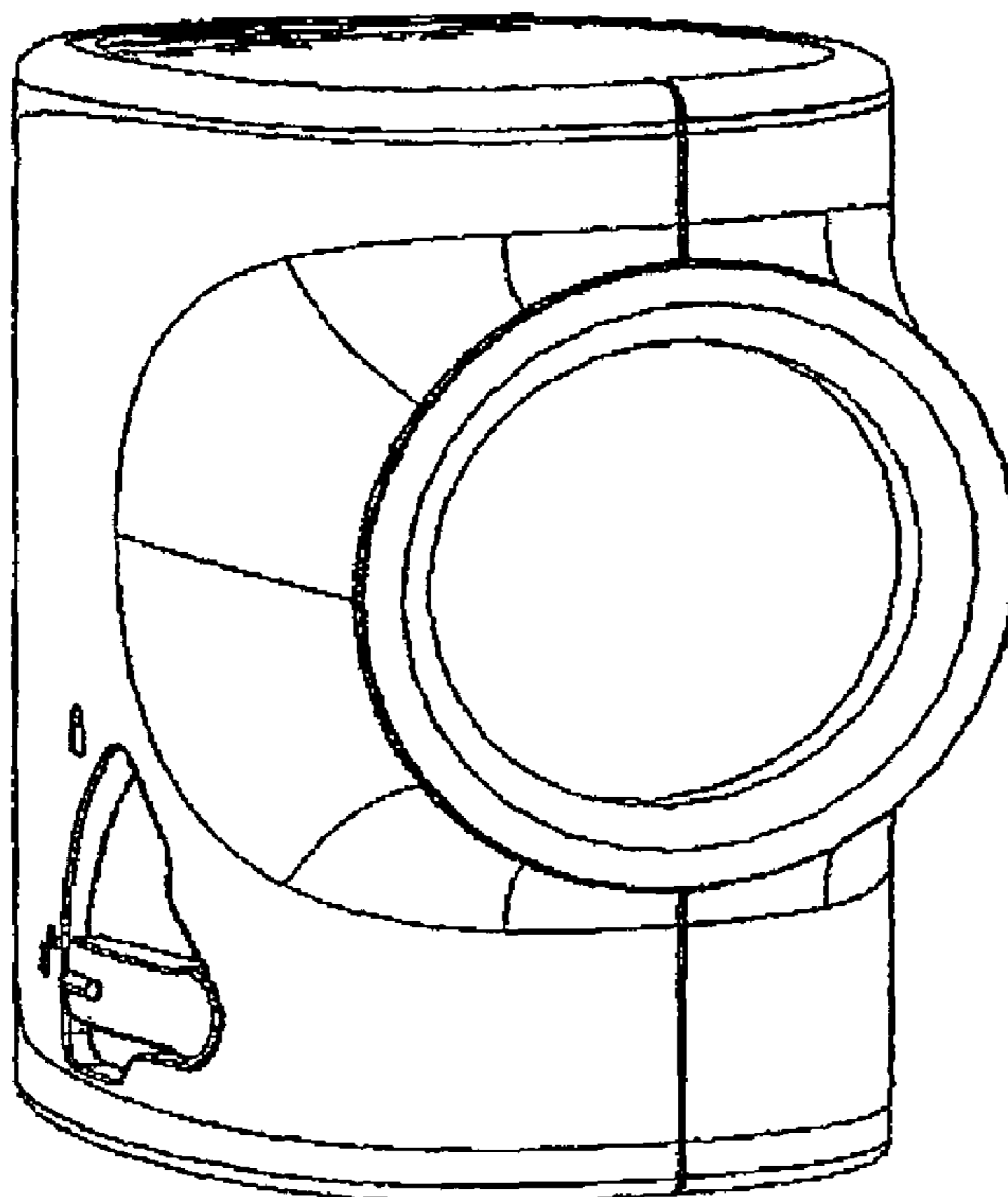
FIG. 4 is a front elevational view showing my new design;

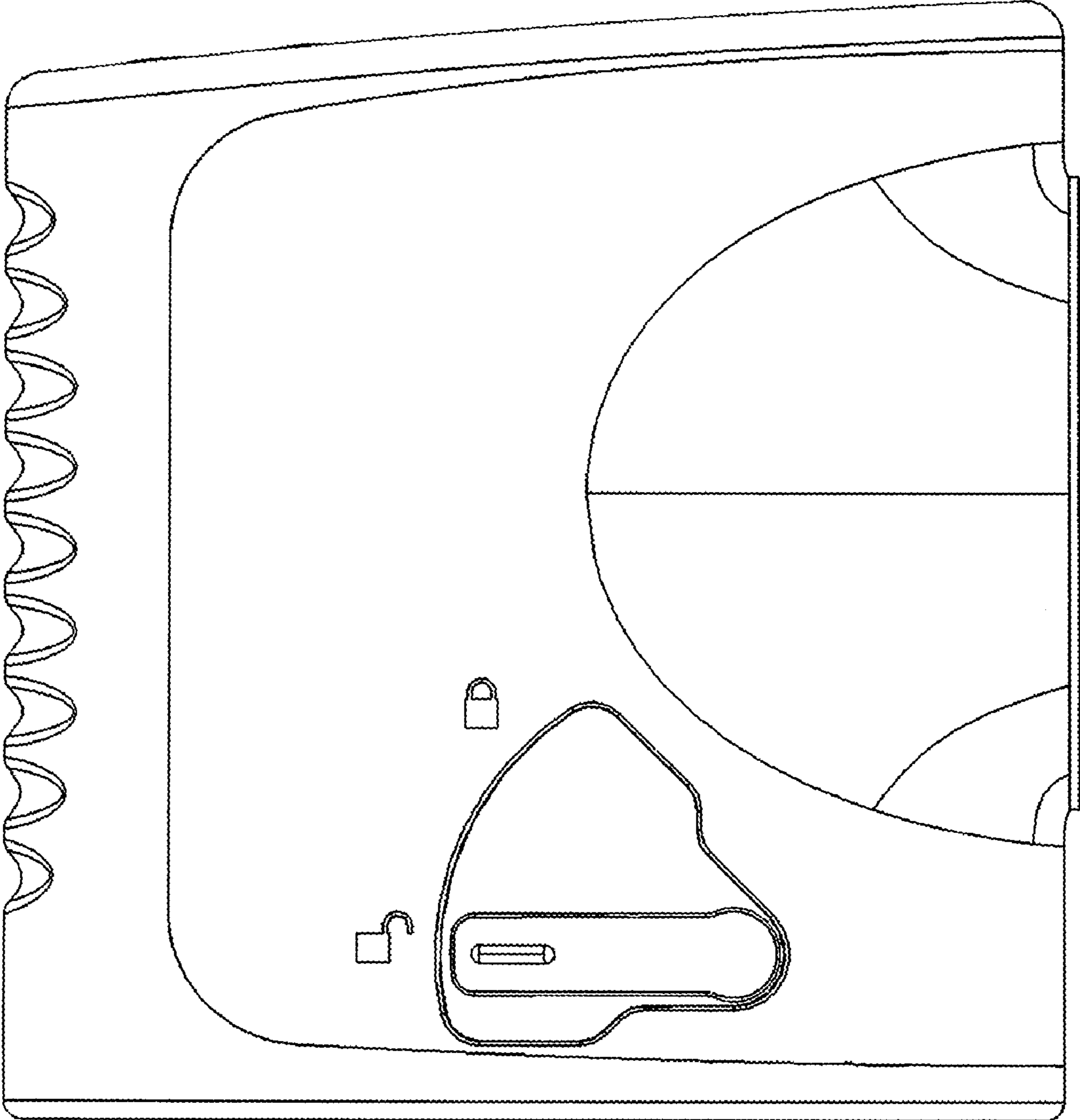
FIG. 5 is a top plan view;

FIG. 6 is a bottom plan view; and,

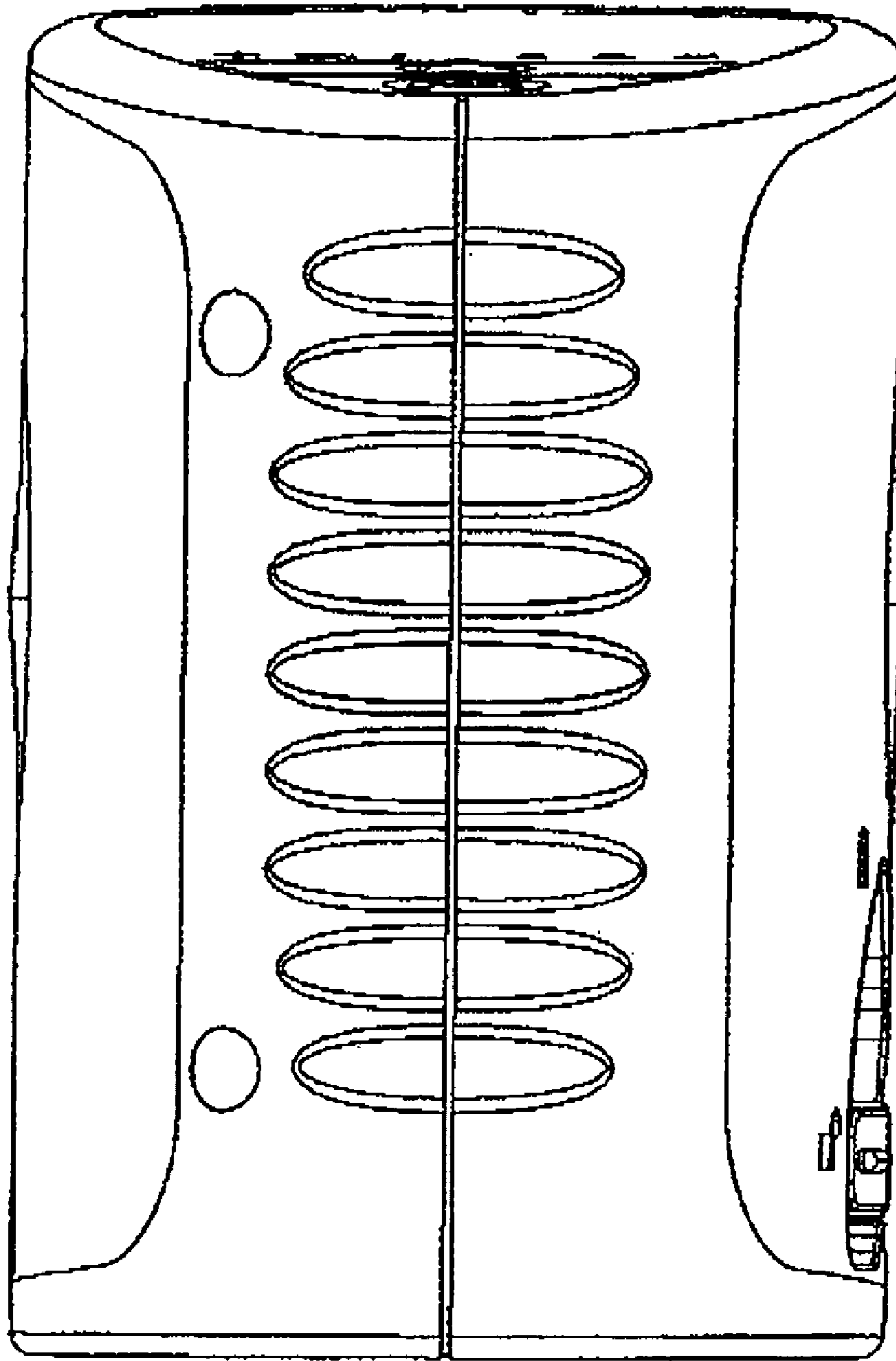
FIG. 7 is a front perspective view.

**1 Claim, 7 Drawing Sheets**

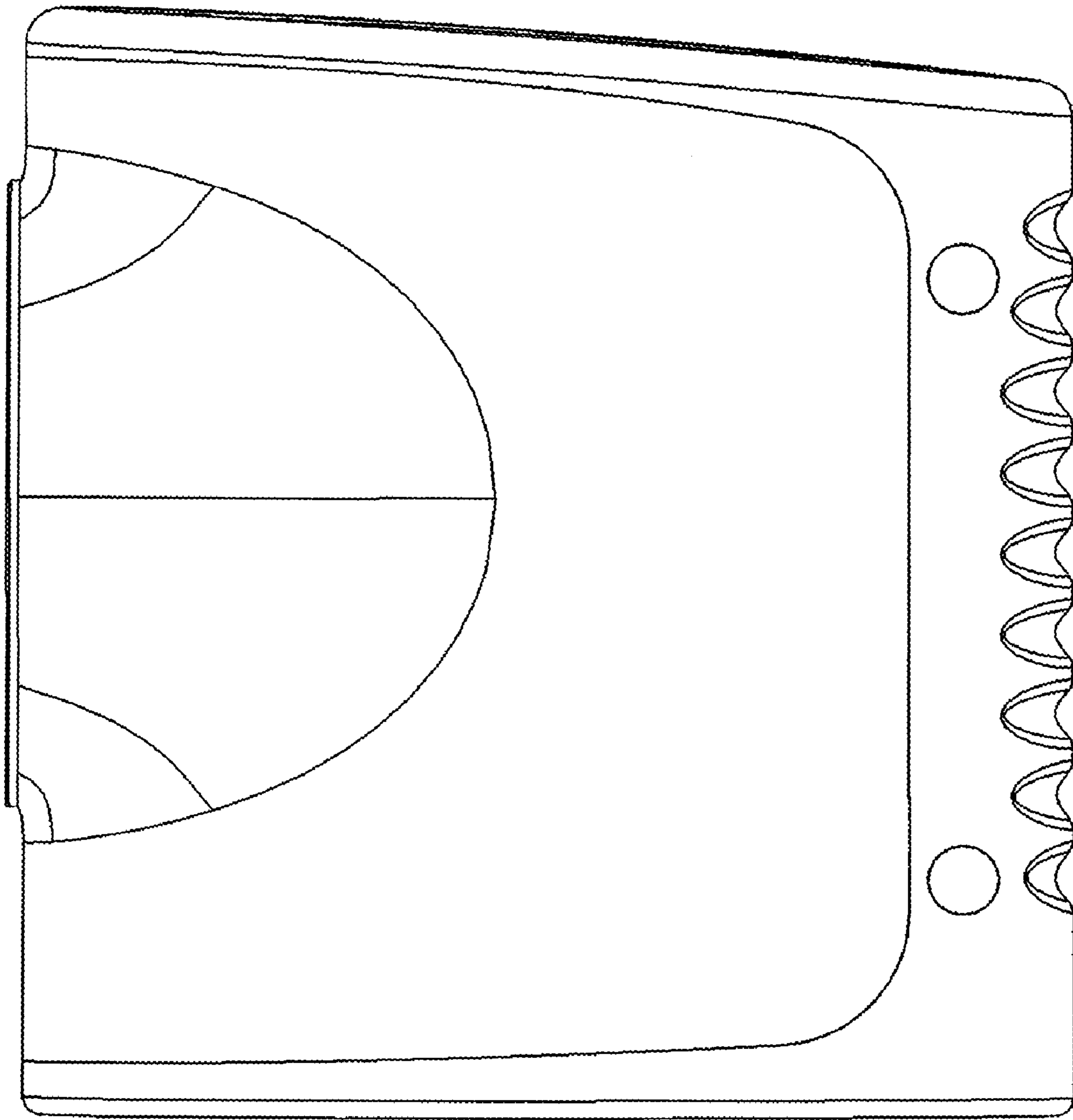




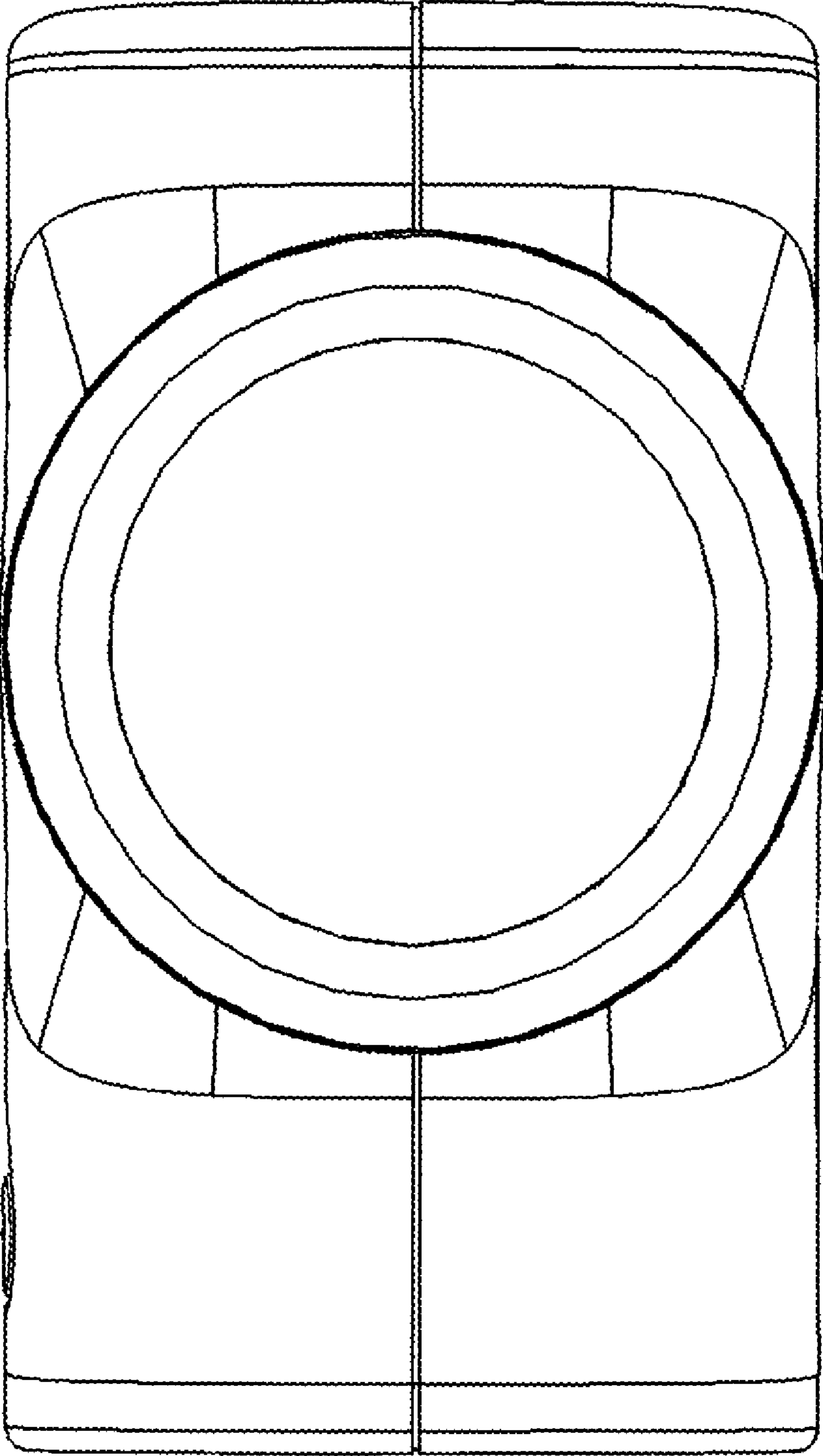
*Fig. 1*



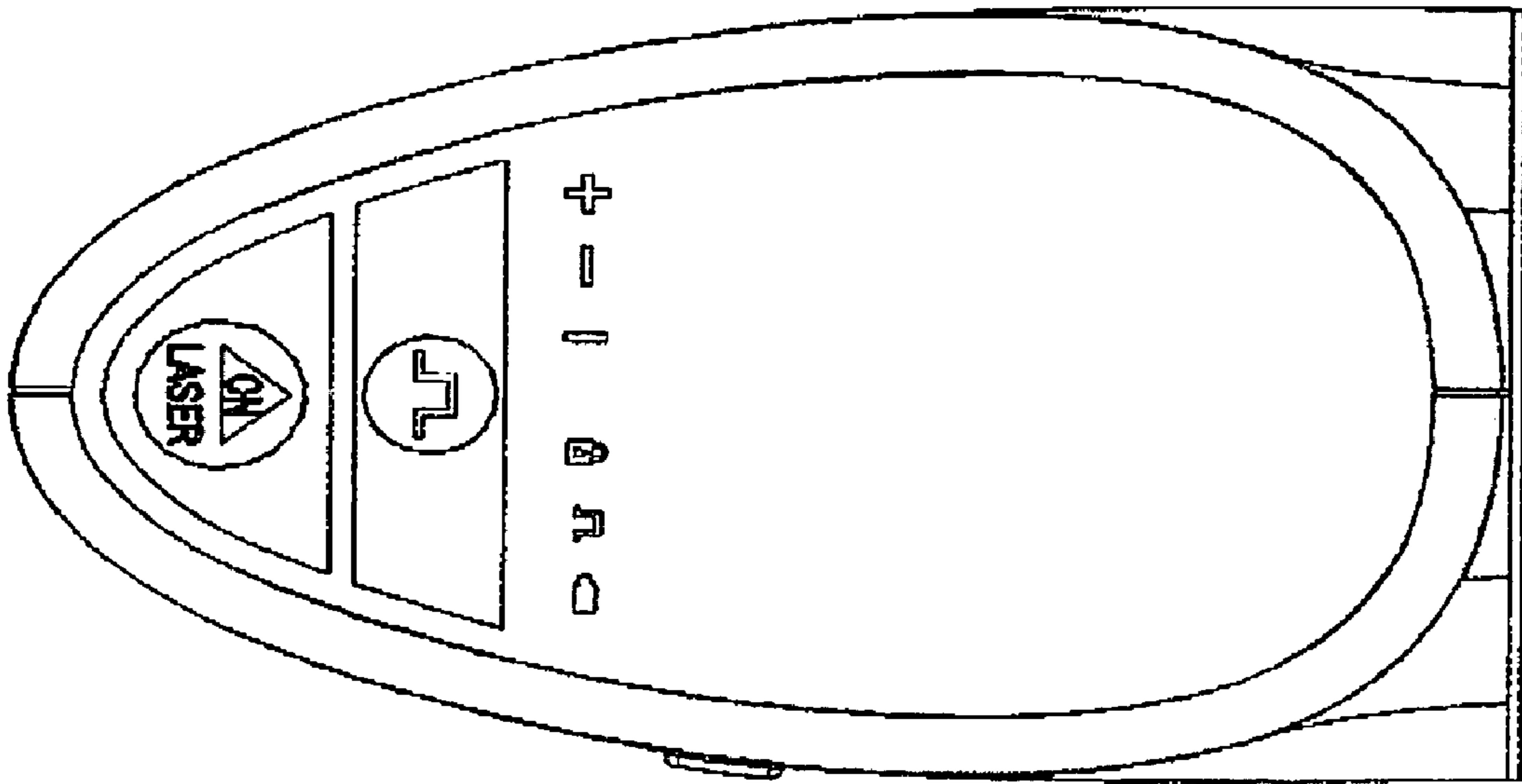
*Fig. 2*



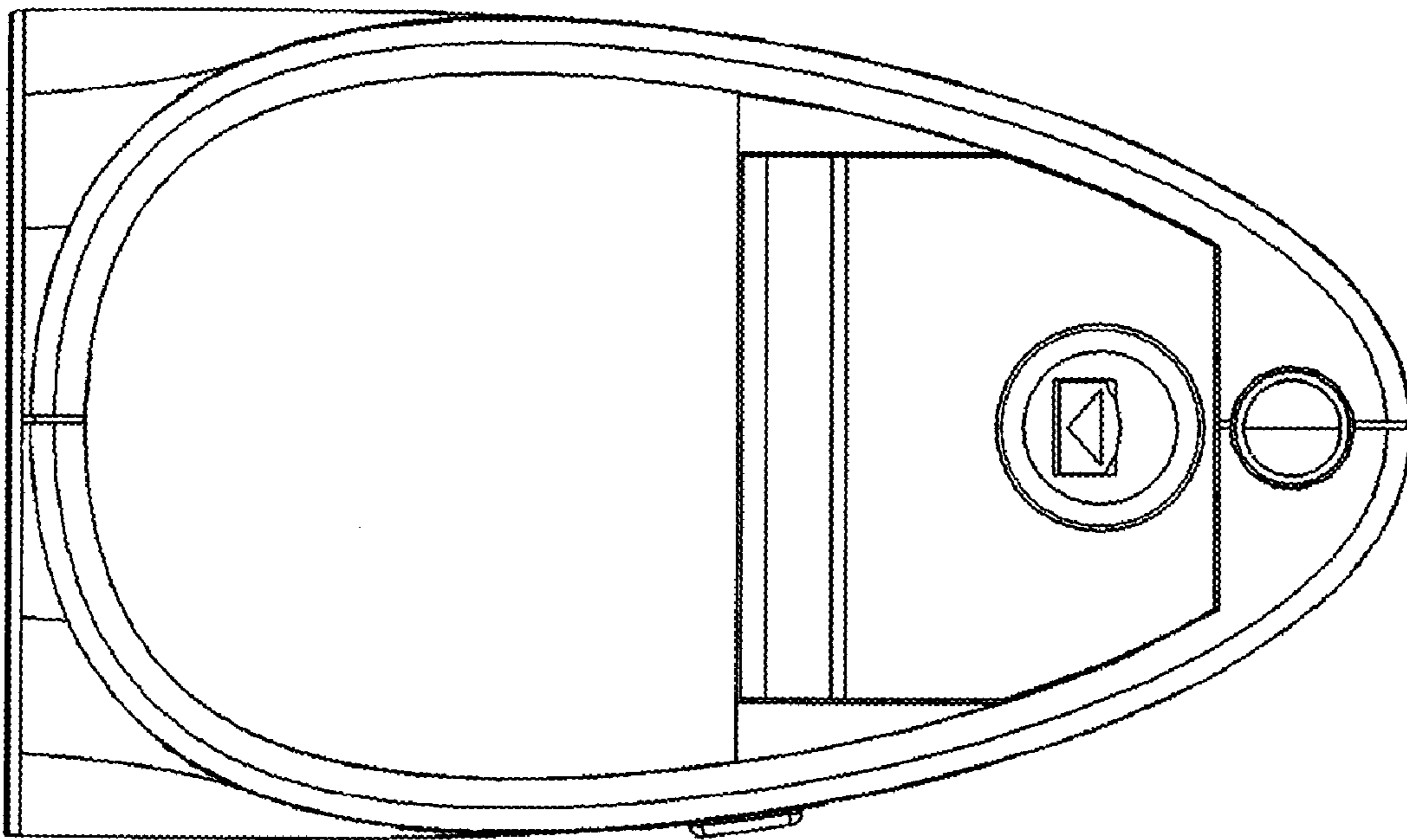
*Fig. 3*



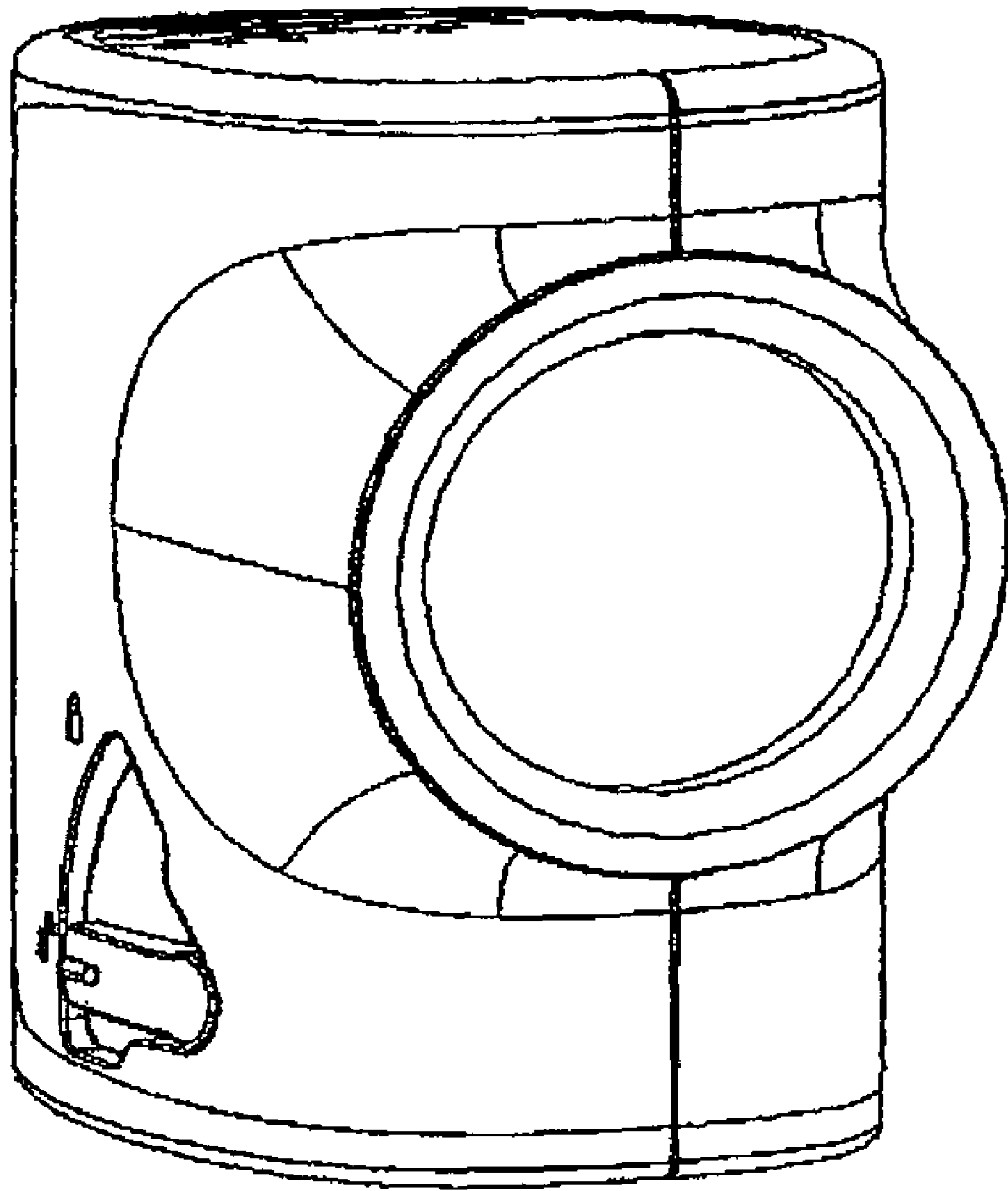
*Fig. 4*



*Fig. 5*



*Fig. 6*



*Fig. 7*



UNITED STATES PATENT AND TRADEMARK OFFICE  
**CERTIFICATE OF CORRECTION**

PATENT NO. : Des. 567,685 S  
APPLICATION NO. : 29/277304  
DATED : April 29, 2008  
INVENTOR(S) : Marco Burkandt

Page 1 of 1

It is certified that error appears in the above-identified patent and that said Letters Patent is hereby corrected as shown below:

Title Page; item (30);

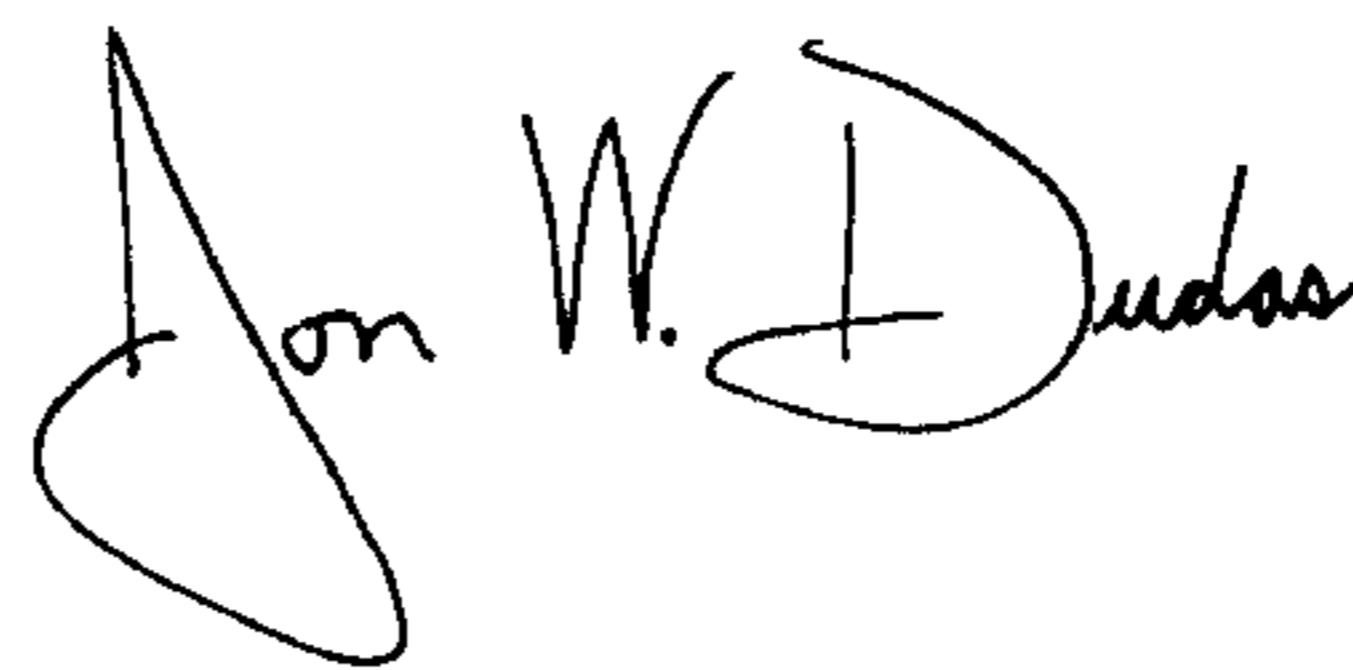
On the cover sheet of the issued patent, please insert: after line 9 and before line 10 the following:

--Foreign Application Priority Data

Sept. 29, 2006 (CH).....133200--

Signed and Sealed this

Eleventh Day of November, 2008



JON W. DUDAS

*Director of the United States Patent and Trademark Office*