



US00D567684S

(12) **United States Design Patent**
Haddadin

(10) **Patent No.:** **US D567,684 S**
(45) **Date of Patent:** **** Apr. 29, 2008**

(54) **CIRCLE AND BI-DIRECTIONAL RAY DRAWING DEVICE**

6,467,179 B1 10/2002 Wolf

* cited by examiner

(76) Inventor: **Renae Haddadin**, 2440 Vail Cir.,
Sandy, UT (US) 84093

Primary Examiner—Antoine D. Davis
(74) *Attorney, Agent, or Firm*—Thorpe North & Western
LLP

(**) Term: **14 Years**

(21) Appl. No.: **29/292,290**

(57) **CLAIM**

(22) Filed: **Oct. 5, 2007**

What is claimed is the ornamental design for a circle and bi-directional ray drawing device, as shown and described herein.

Related U.S. Application Data

(63) Continuation of application No. 29/256,181, filed on Mar. 15, 2006, now Pat. No. Des. 557,623.

DESCRIPTION

(51) **LOC (8) Cl.** **10-04**

(52) **U.S. Cl.** **D10/65**

(58) **Field of Classification Search** D10/65;
33/27.01, 27.031, 27.032, 27.033, 465, 468,
33/471, 534, 538, 481, 485, 489, 678, 666,
33/1 AP, 1 N

FIG. 1 is an elevated, perspective view of the circle and bi-directional ray drawing device, which includes a 360° protractor pivotally connected to a pair of radius arms;

See application file for complete search history.

FIG. 2 is a top plan view of the embodiment shown in FIG. 1;

(56) **References Cited**

U.S. PATENT DOCUMENTS

2,054,420	A	9/1936	Hochman	
2,612,690	A	10/1952	Cotton	
2,857,674	A	10/1958	Feldhake	
3,096,586	A *	7/1963	Albright et al.	33/465
D220,208	S *	3/1971	Dhir	D10/65
3,791,036	A	2/1974	Stober, Jr. et al.	
4,173,829	A	11/1979	Khait	
4,267,638	A	5/1981	Heinz	
D259,546	S *	6/1981	Simon	D10/65
D298,806	S *	12/1988	Tandy	D10/65
D314,157	S *	1/1991	Telles	D10/65
D376,110	S *	12/1996	Quint, Jr.	D10/65
5,615,485	A	4/1997	Stoneberg	
D396,813	S *	8/1998	Le et al.	D10/65
5,987,760	A	11/1999	Hsu	
6,405,443	B1	6/2002	Thorn et al.	
6,457,247	B1	10/2002	Lin	

FIG. 3 is a bottom plan view of the embodiment shown in FIG. 1;

FIG. 4 is a right side edge view taken perpendicularly with respect to the radius arms of FIG. 1;

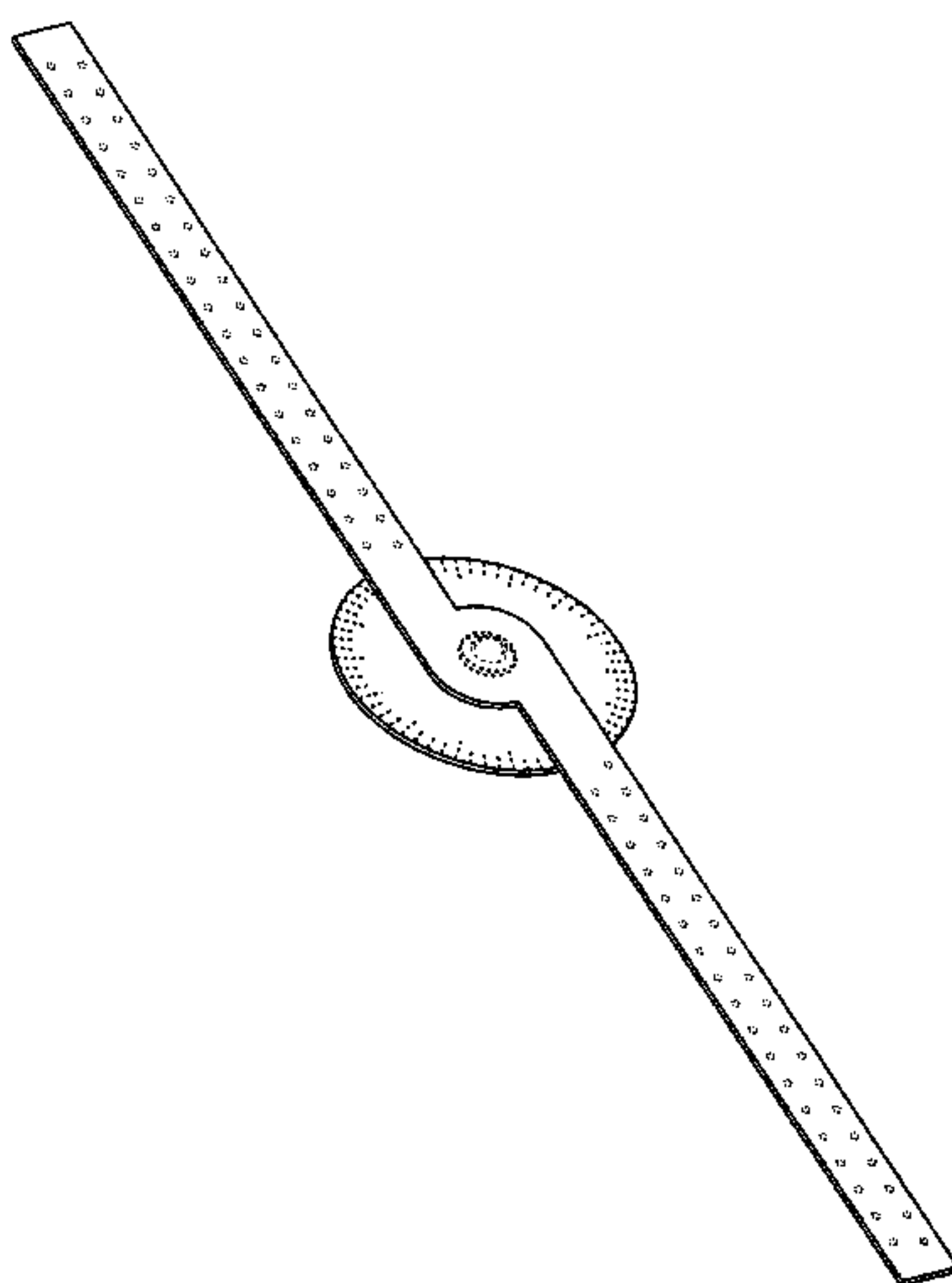
FIG. 5 is an upper edge view of the embodiment shown in FIG. 1 taken perpendicular to the view of FIG. 4;

FIG. 6 is a lower edge view of the embodiment shown in FIG. 1 taken perpendicular to the view of FIG. 4; and,

FIG. 7 is a left side edge view taken perpendicularly with respect to the radius arms of FIG. 1.

The thicknesses shown in FIGS. 1, 4, 5, 6, and 7 of the disk and the radius arm are not necessarily to scale, due to line thicknesses and/or other illustration limitations. Typically, the thicknesses of these layers will each be less than about 1 centimeter, with no relative thicknesses being implied by the drawings. Additionally, certain design features are shown in phantom or broken lines for illustrative purposes only, thereby forming no part of this claimed invention.

1 Claim, 4 Drawing Sheets



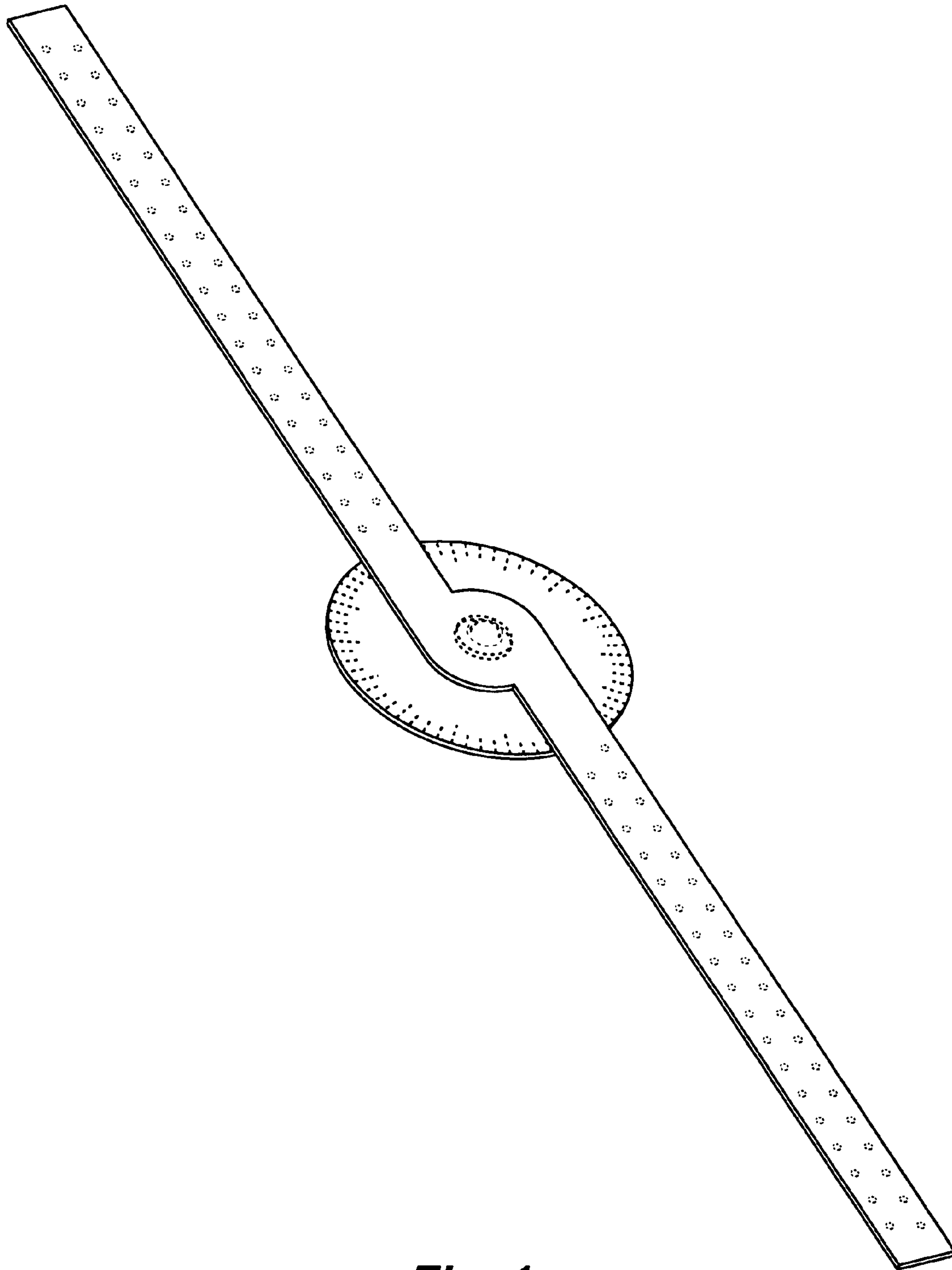


Fig. 1

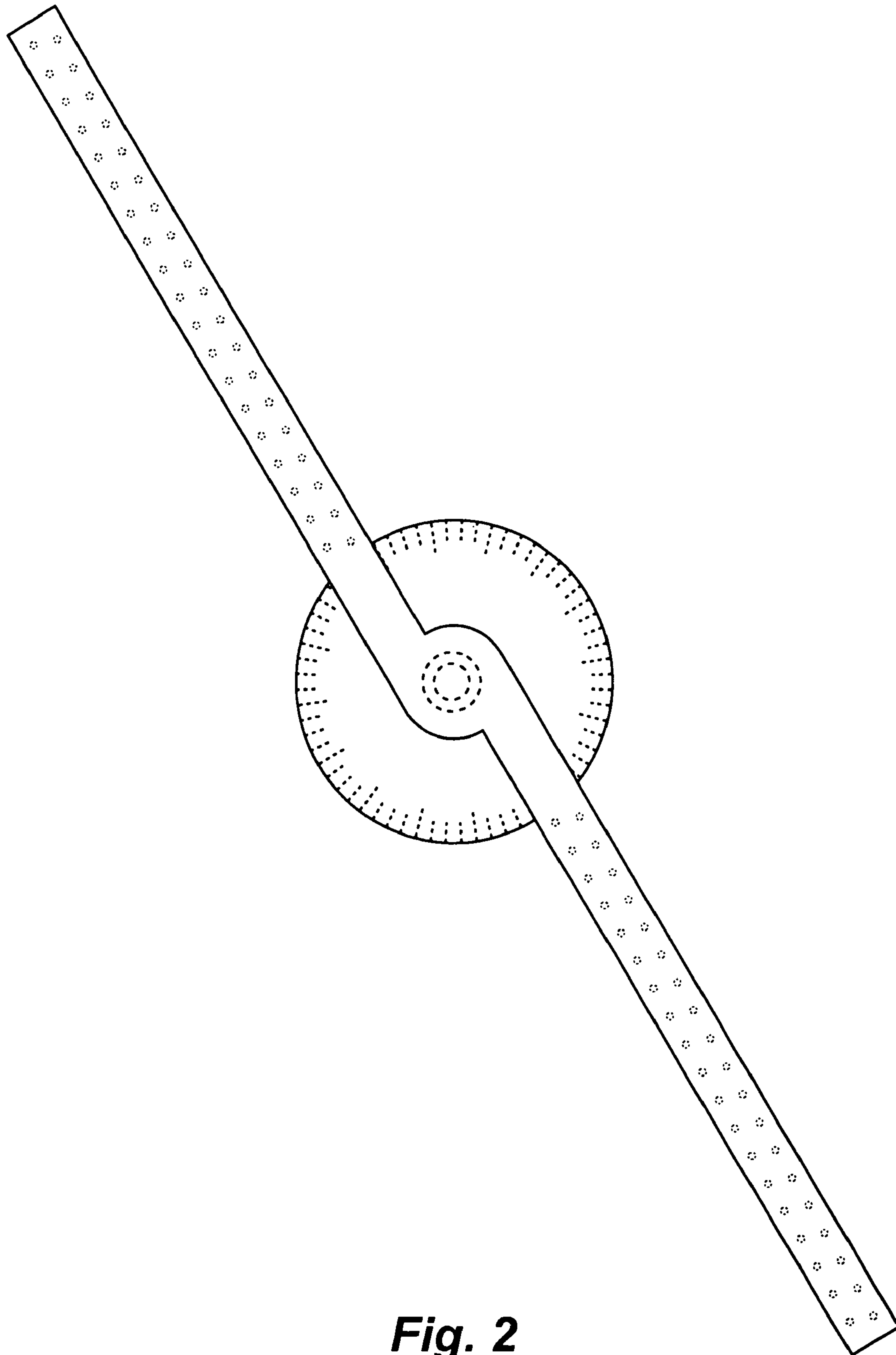


Fig. 2

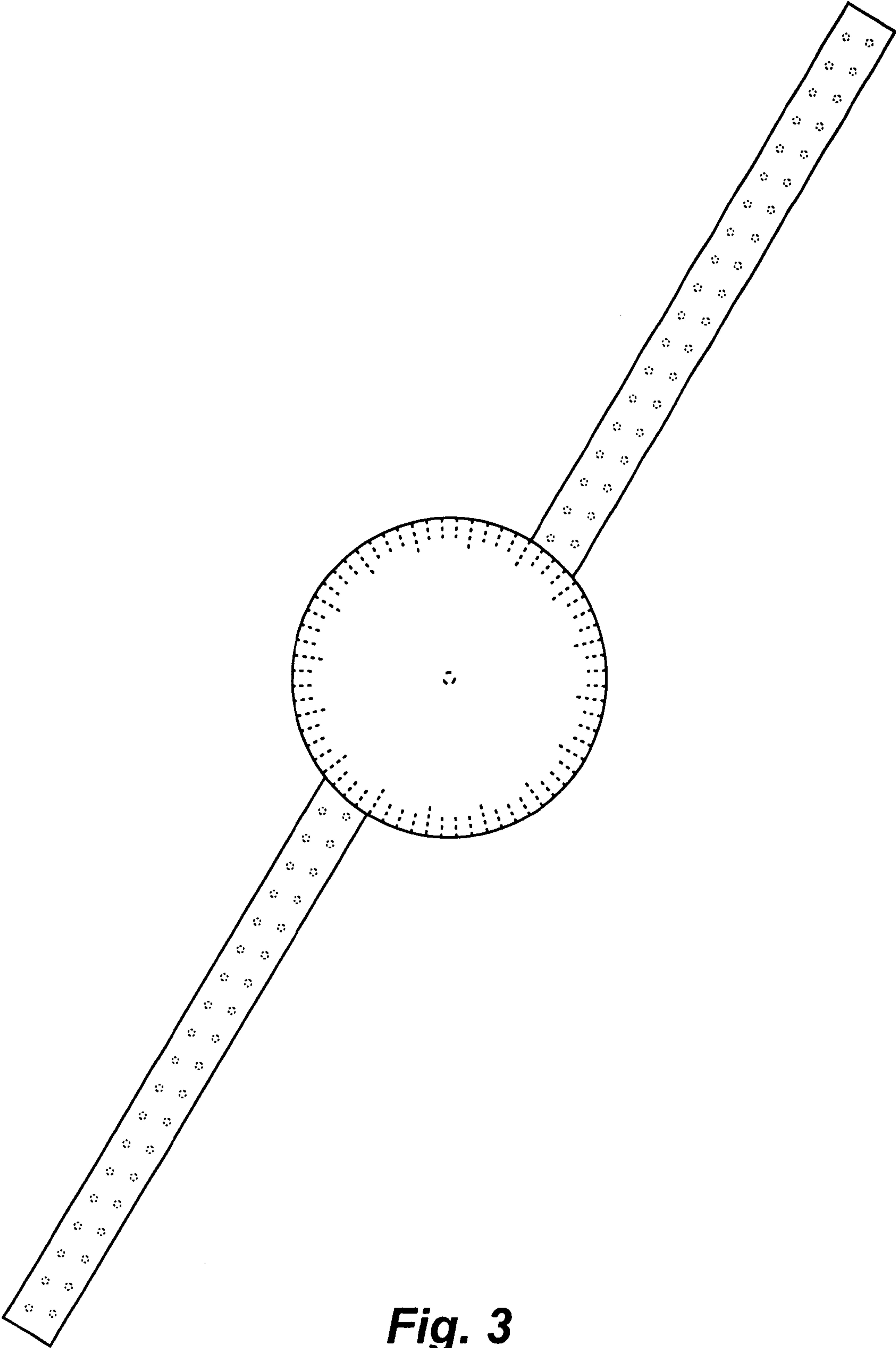


Fig. 3



Fig. 4



Fig. 5



Fig. 6



Fig. 7