



US00D567683S

(12) **United States Design Patent**
Okuno et al.

(10) **Patent No.:** **US D567,683 S**

(45) **Date of Patent:** **** Apr. 29, 2008**

(54) **POSITION DETECTOR WITH ATTACHMENT**

2002/0014128 A1* 2/2002 Kroll et al. 73/866.5

* cited by examiner

(75) Inventors: **Haruhiko Okuno**, Tsukubamirai (JP);
Norimasa Ozaki, Tsukubamirai (JP);
Gen Uchimido, Tsukubamirai (JP);
Katsumi Kobayashi, Tsukubamirai (JP)

Primary Examiner—Antoine D. Davis
(74) *Attorney, Agent, or Firm*—Oblon, Spivak, McClelland,
Maier & Neustadt, P.C.

(73) Assignee: **SMC Kabushiki Kaisha**, Tokyo (JP)

(57) **CLAIM**

(**) Term: **14 Years**

The ornamental design for a position detector with attachment, as shown.

(21) Appl. No.: **29/277,060**

(22) Filed: **Feb. 12, 2007**

DESCRIPTION

(51) **LOC (8) Cl.** **10-04**

FIG. 1 is a top, front and right-side perspective view of a position detector with attachment showing our new design;

(52) **U.S. Cl.** **D10/65**

FIG. 2 is a front view thereof;

(58) **Field of Classification Search** D10/65;
73/866.5, 431

FIG. 3 is a rear view thereof;

See application file for complete search history.

FIG. 4 is a top plan view thereof;

FIG. 5 is a bottom plan view thereof;

FIG. 6 is a left side view thereof; and,

FIG. 7 is a right side view thereof.

(56) **References Cited**

U.S. PATENT DOCUMENTS

D366,430 S * 1/1996 Grundl D10/65
D462,019 S * 8/2002 Fierro D10/65

1 Claim, 7 Drawing Sheets

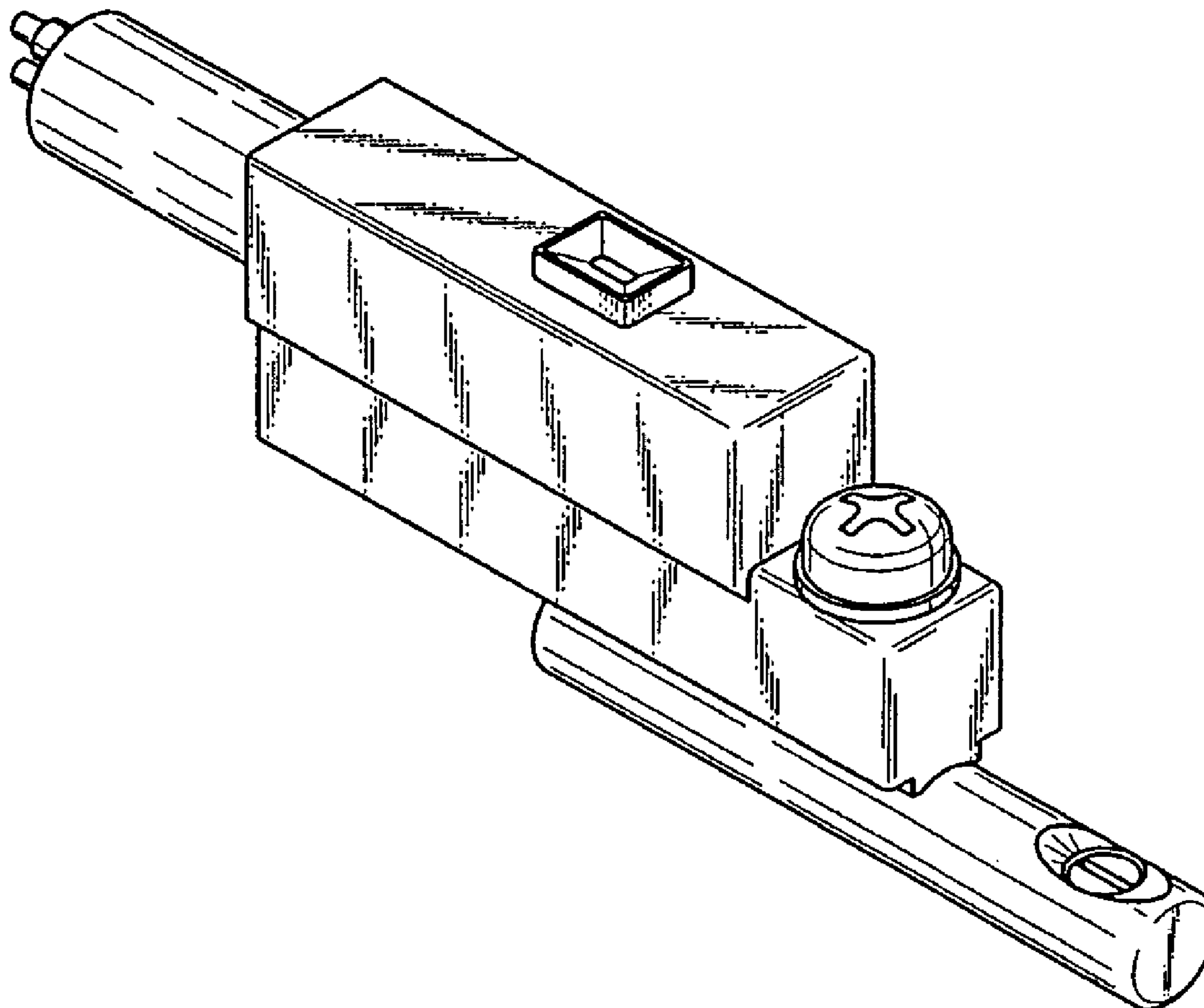


FIG. 1

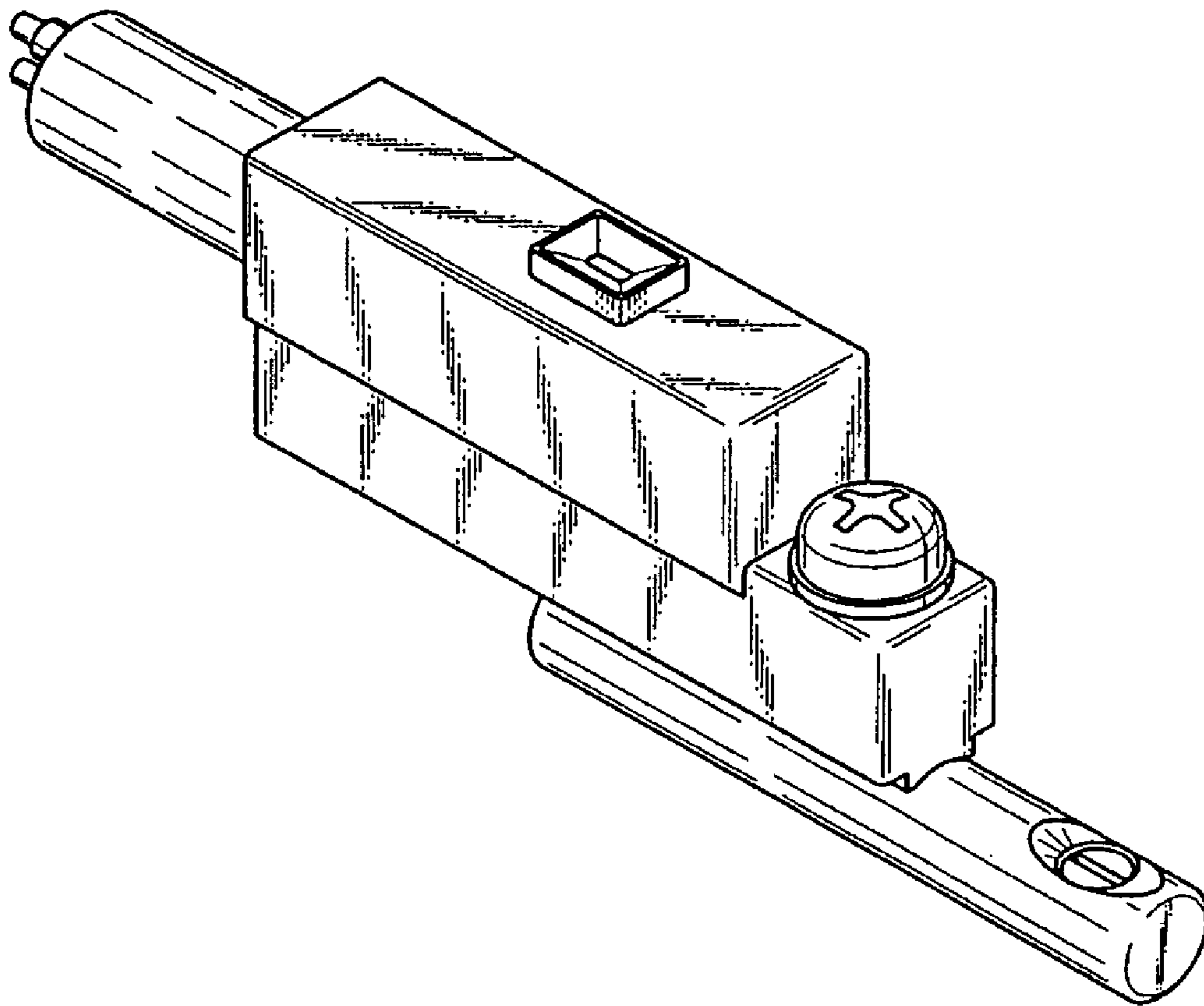


FIG. 2

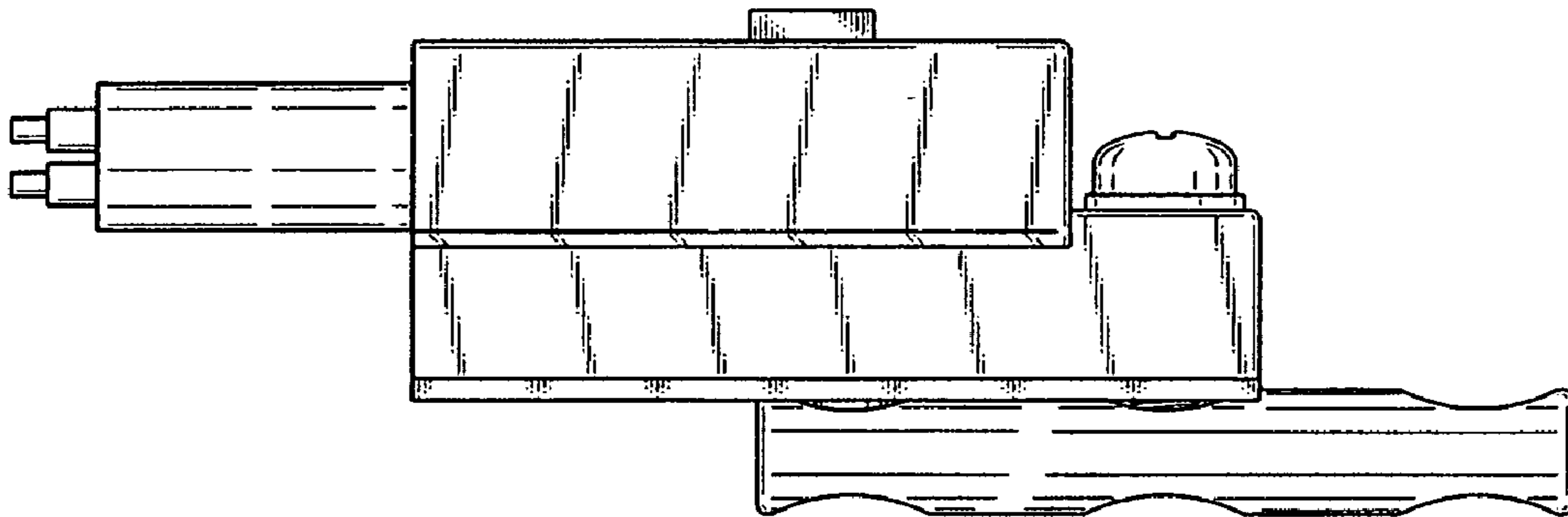


FIG. 3

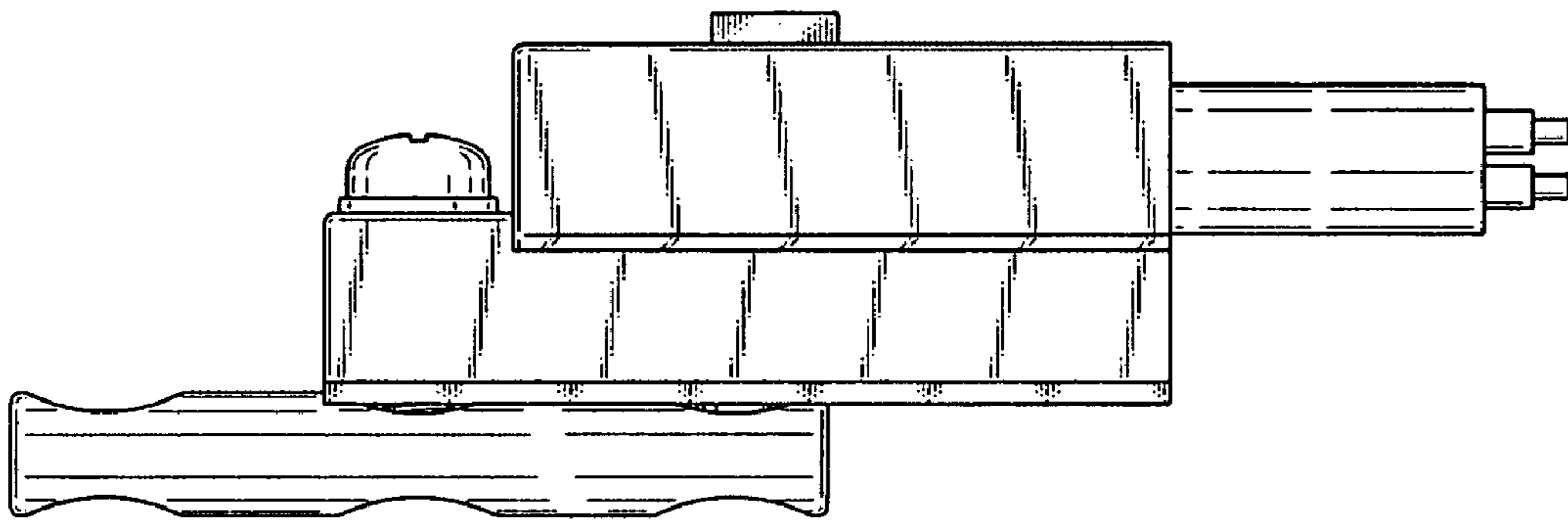


FIG. 4

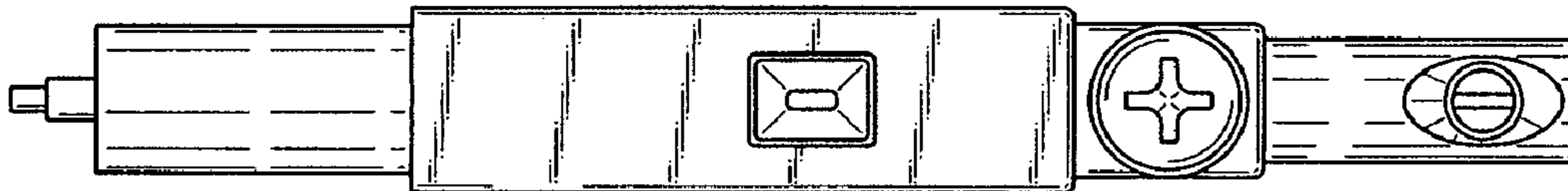


FIG. 5

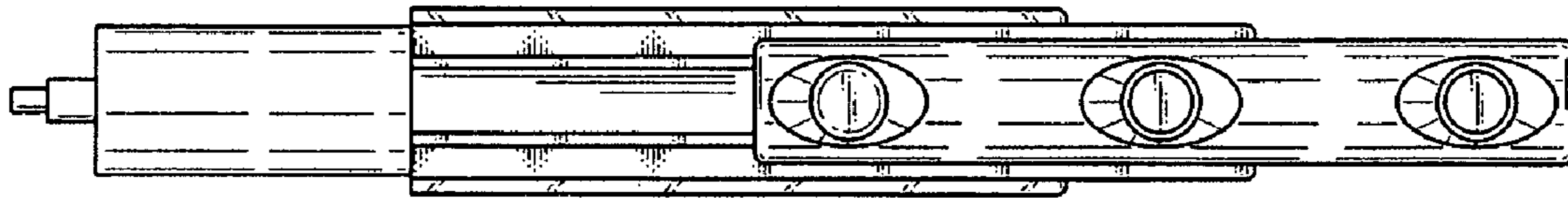


FIG. 6

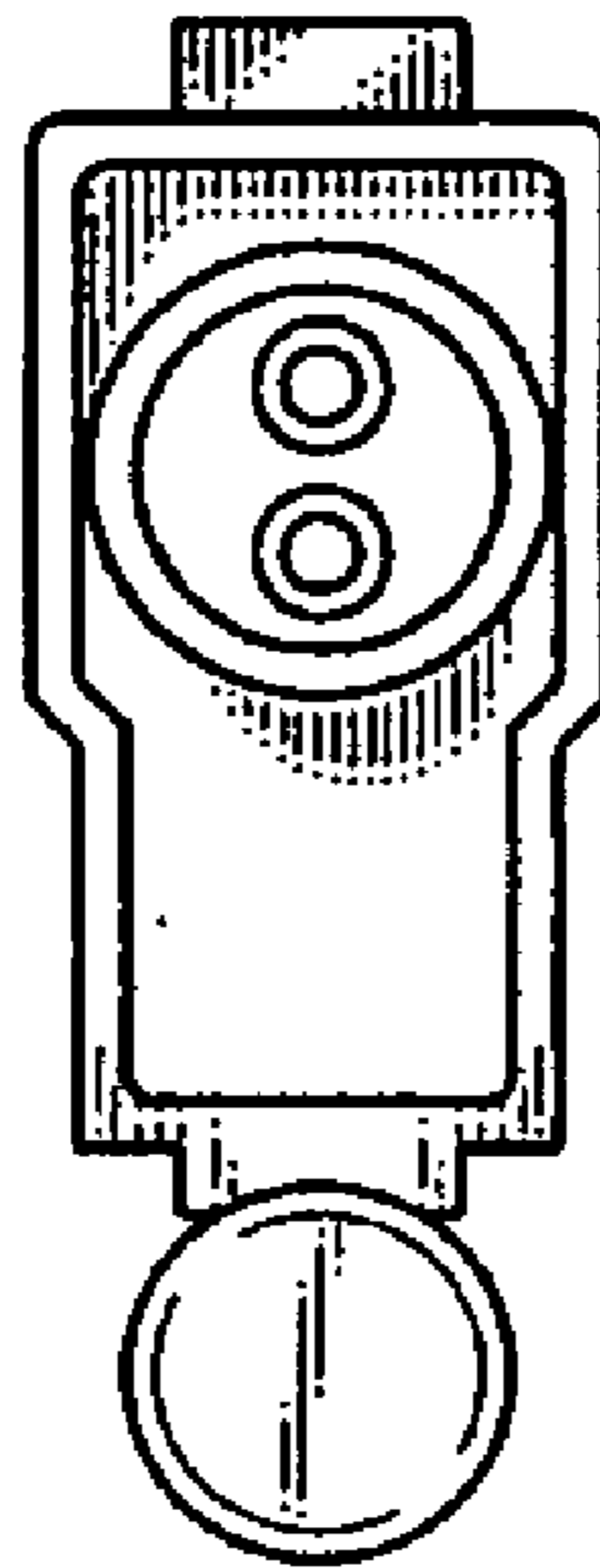


FIG. 7

