



US00D567681S

(12) **United States Design Patent**  
**Michael et al.**

(10) **Patent No.:** **US D567,681 S**  
(45) **Date of Patent:** **\*\* Apr. 29, 2008**

(54) **ELECTRONIC TIMER**

(75) Inventors: **Vicky Ann Michael**, Winchester, VA (US); **James Daniel Carter**, Winchester, VA (US); **Juergen Nies**, Winchester, VA (US); **Ha Van Duong**, Winchester, VA (US)

(73) Assignee: **Melnor, Inc.**, Winchester, VA (US)

(\*\*) Term: **14 Years**

(21) Appl. No.: **29/296,243**

(22) Filed: **Oct. 16, 2007**

5,143,290 A	9/1992	Wang	
D365,771 S	1/1996	Clivio	
D377,316 S	1/1997	Roman et al.	
5,816,619 A	10/1998	Schaede	
D430,044 S	8/2000	Clivio	
D431,195 S	9/2000	Clivio	
6,283,139 B1	9/2001	Symonds et al.	
D451,037 S	11/2001	Jacobs et al.	
D451,412 S	12/2001	Jacobs et al.	
6,337,635 B1 *	1/2002	Ericksen et al.	..... 340/825.69
6,397,888 B1	6/2002	Wang	
D467,187 S	12/2002	Clivio	
D477,287 S	7/2003	Roman	
D485,502 S	1/2004	Clivio	
6,719,010 B1	4/2004	Yi-Chang	
6,986,364 B1	1/2006	Wang	
7,252,113 B2 *	8/2007	Jacobs et al.	..... 137/624.11

**Related U.S. Application Data**

(62) Division of application No. 29/276,114, filed on Jan. 16, 2007.

(51) **LOC (8) Cl.** ..... **10-03**

(52) **U.S. Cl.** ..... **D10/40**

(58) **Field of Classification Search** ..... D10/40;  
368/107-123, 82-84, 187, 97-100; 239/69,  
239/70; 700/284; 137/624.11-624.19, 624.2,  
137/624.21

See application file for complete search history.

(56) **References Cited**

**U.S. PATENT DOCUMENTS**

3,097,762 A *	7/1963	Charlota et al.	..... 220/20
4,592,505 A	6/1986	Bruninga et al.	
4,633,905 A	1/1987	Wang	
4,708,264 A	11/1987	Bruninga	
4,722,478 A *	2/1988	Fletcher et al.	..... 239/69
D298,962 S *	12/1988	Bruninga	..... D23/245
4,807,664 A	2/1989	Wilson et al.	
D304,224 S	10/1989	Wilson et al.	
5,101,859 A	4/1992	Roman	

\* cited by examiner

*Primary Examiner*—Lucy Lieberman

(74) *Attorney, Agent, or Firm*—Westerman, Hattori, Daniels & Adrian, LLP.

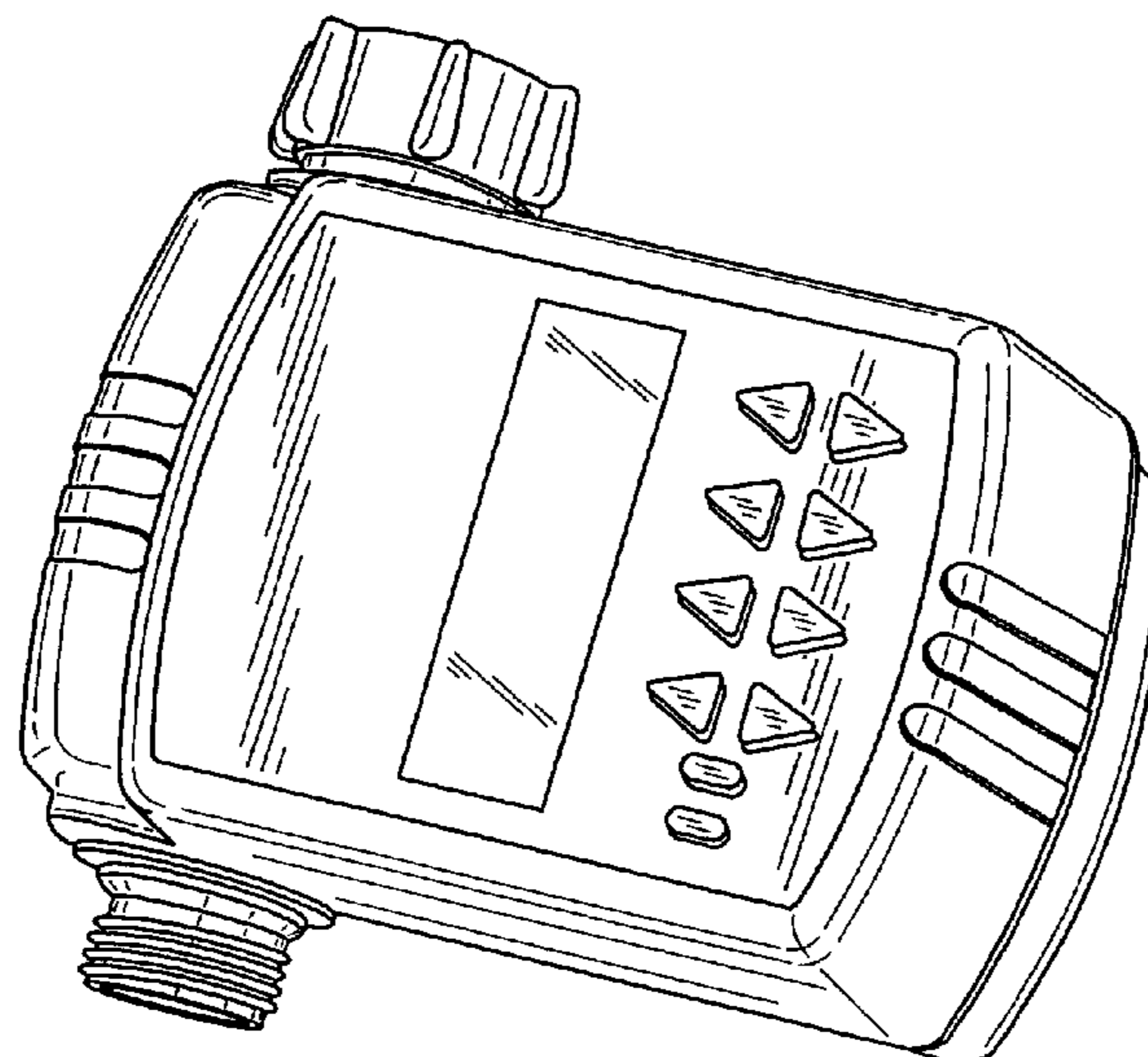
(57) **CLAIM**

The ornamental design for an electronic timer, as shown and described.

**DESCRIPTION**

FIG. 1 is a perspective view of an electronic timer;  
FIG. 2 is a front view of the electronic timer;  
FIG. 3 is a rear view of the electronic timer;  
FIG. 4 is a top view of the electronic timer;  
FIG. 5 is a bottom view of the electronic timer;  
FIG. 6 is a left side view of the electronic timer; and,  
FIG. 7 is a right side view of the electronic timer.

**1 Claim, 4 Drawing Sheets**



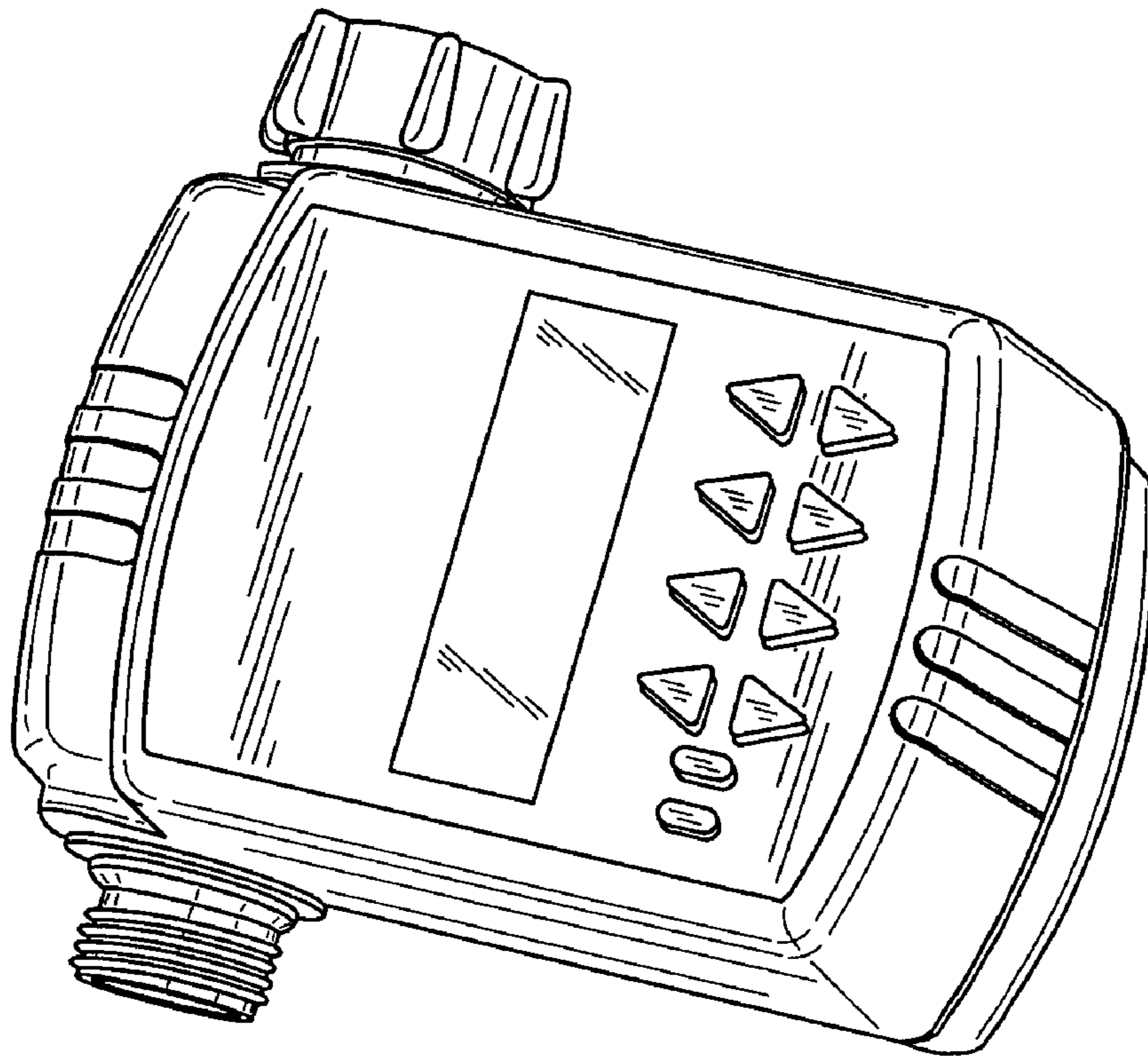


FIG. 1

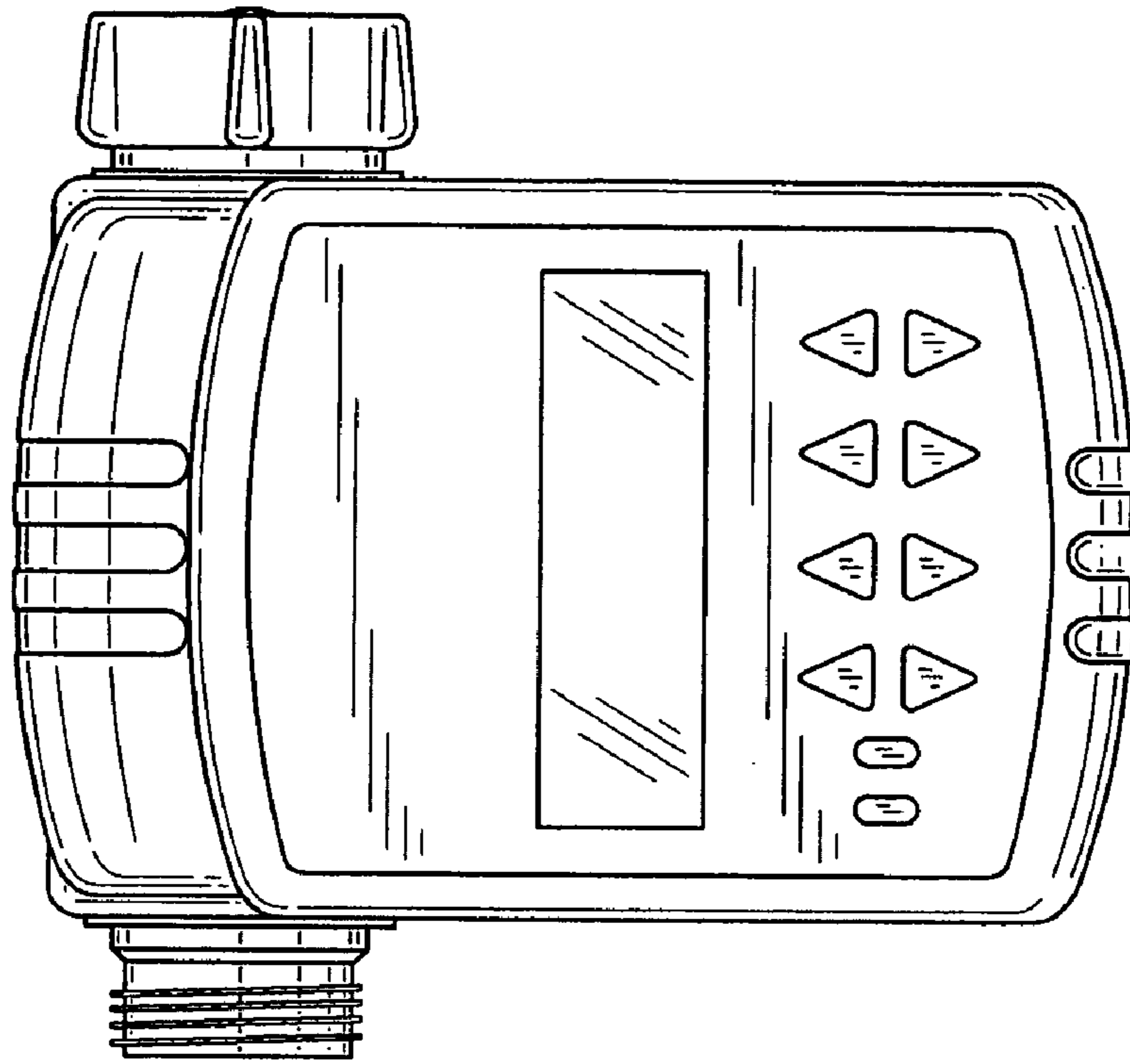


FIG. 2

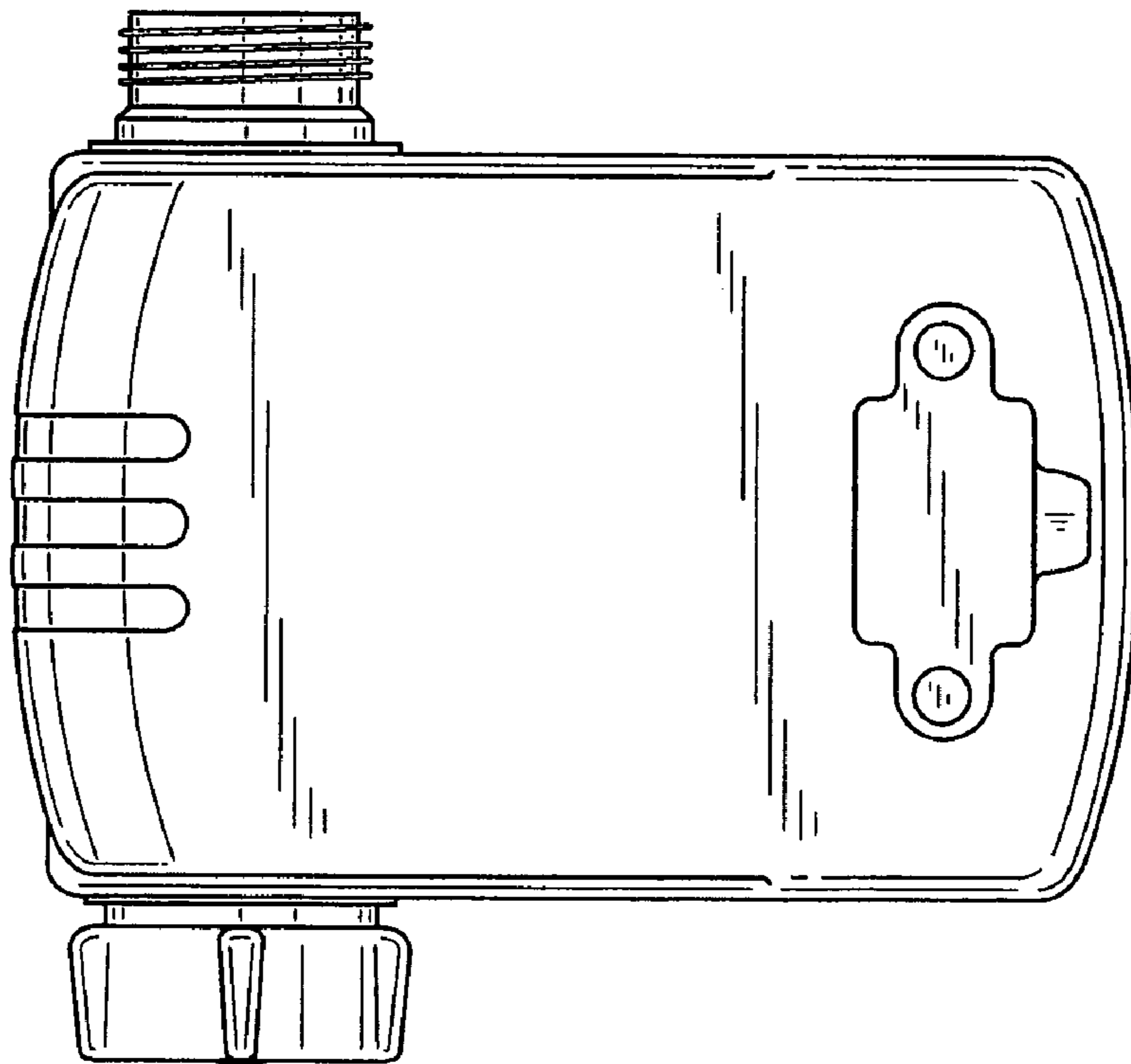


FIG. 3

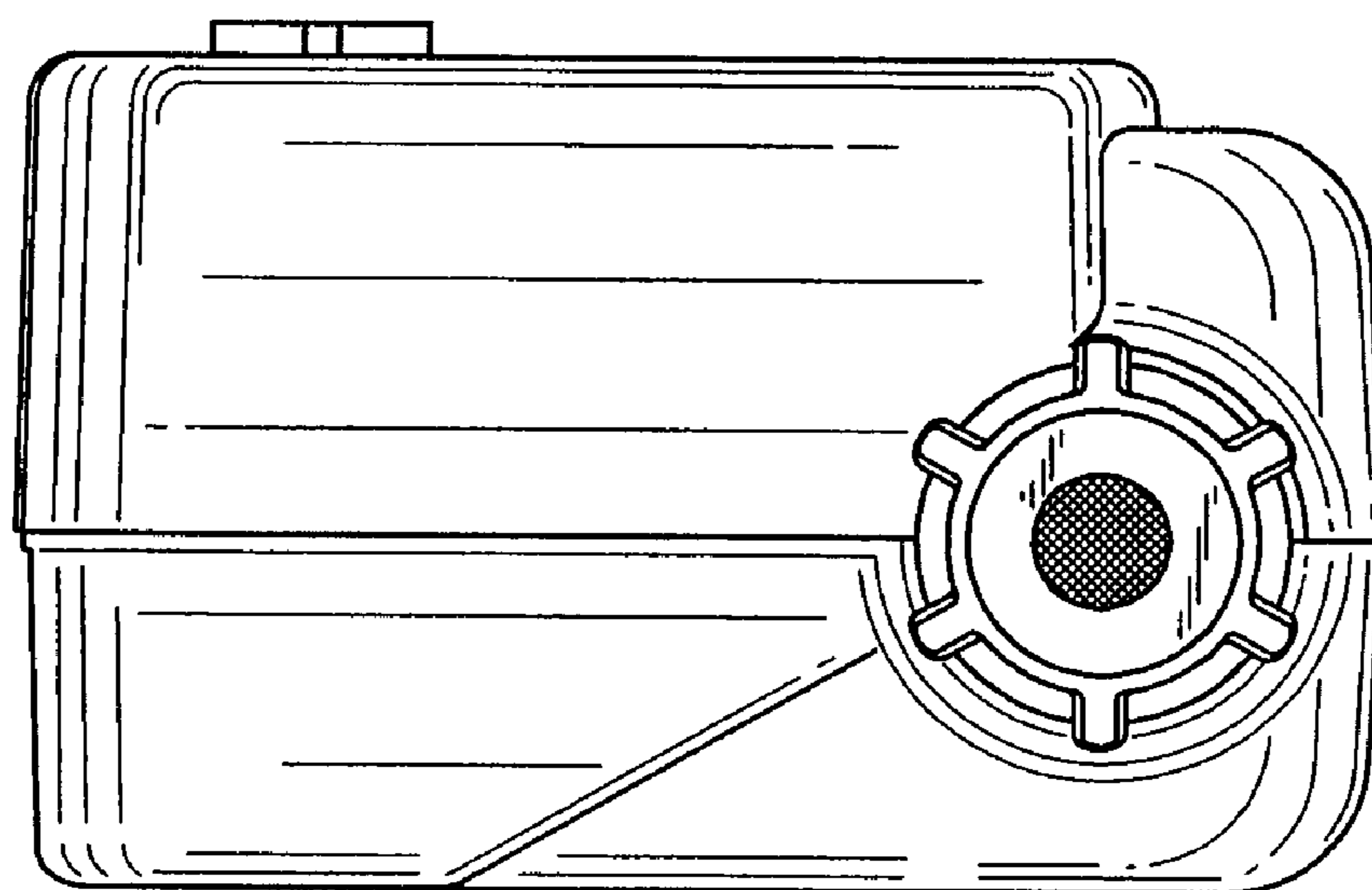


FIG. 4

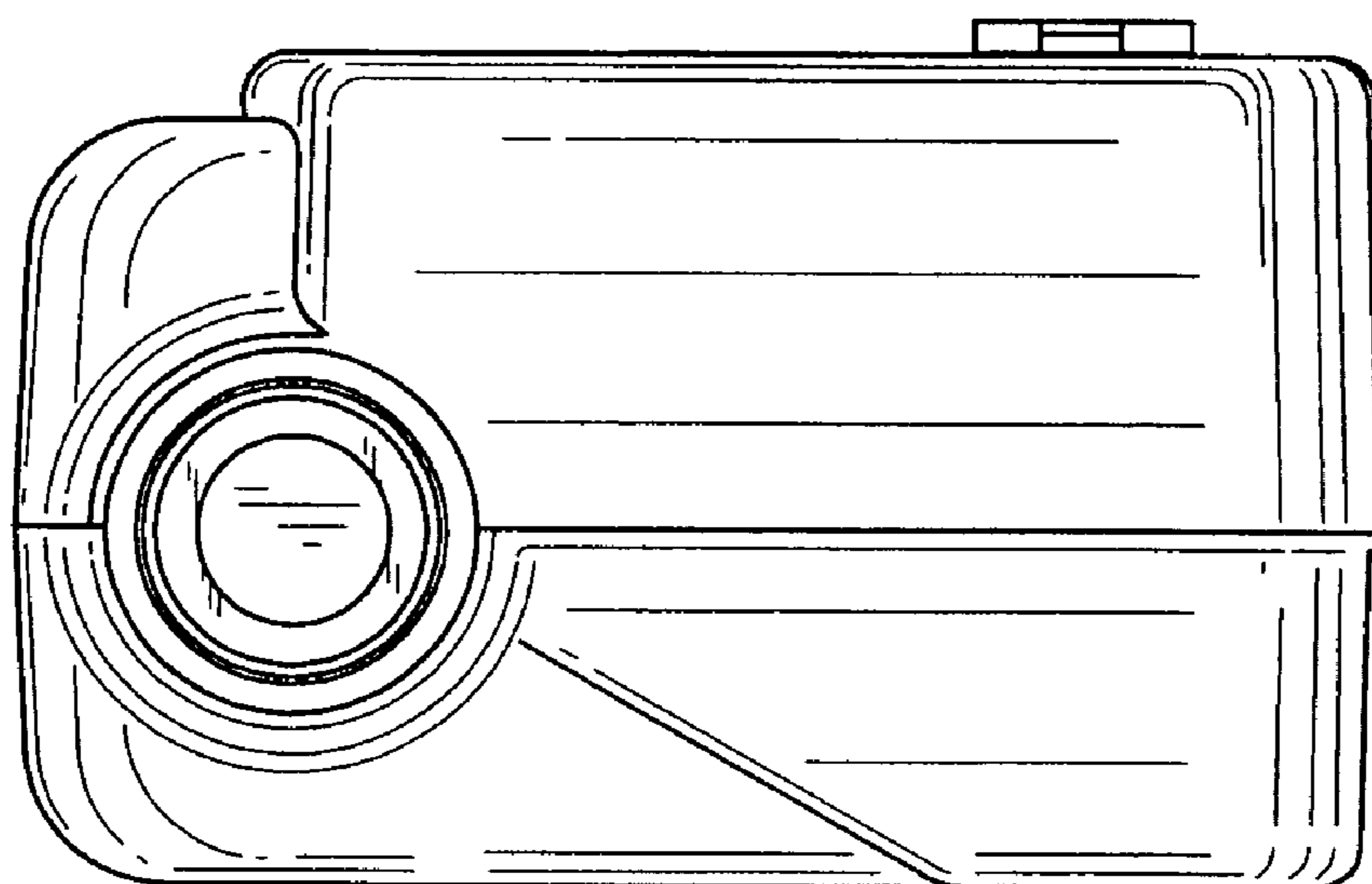


FIG. 5

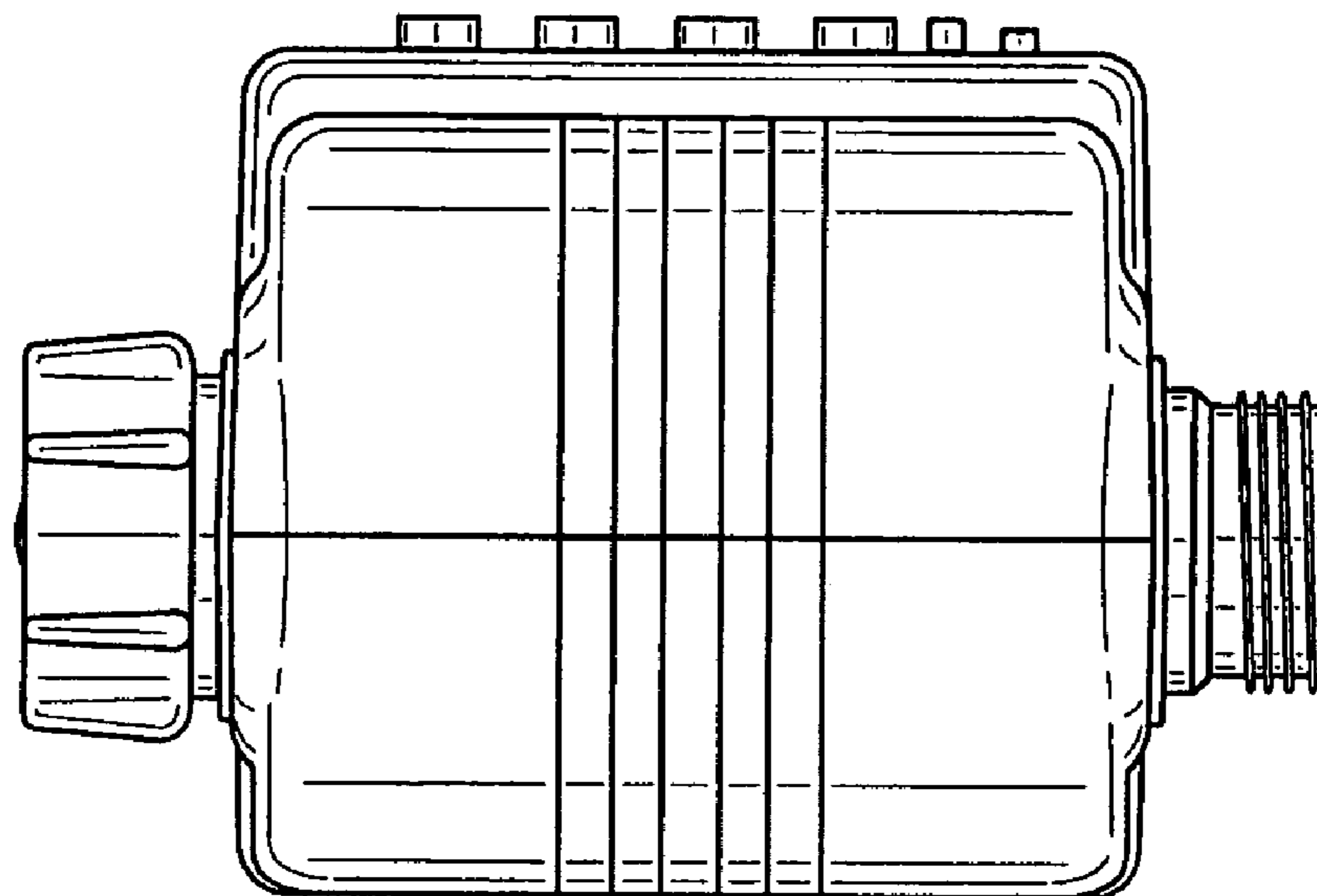


FIG. 6

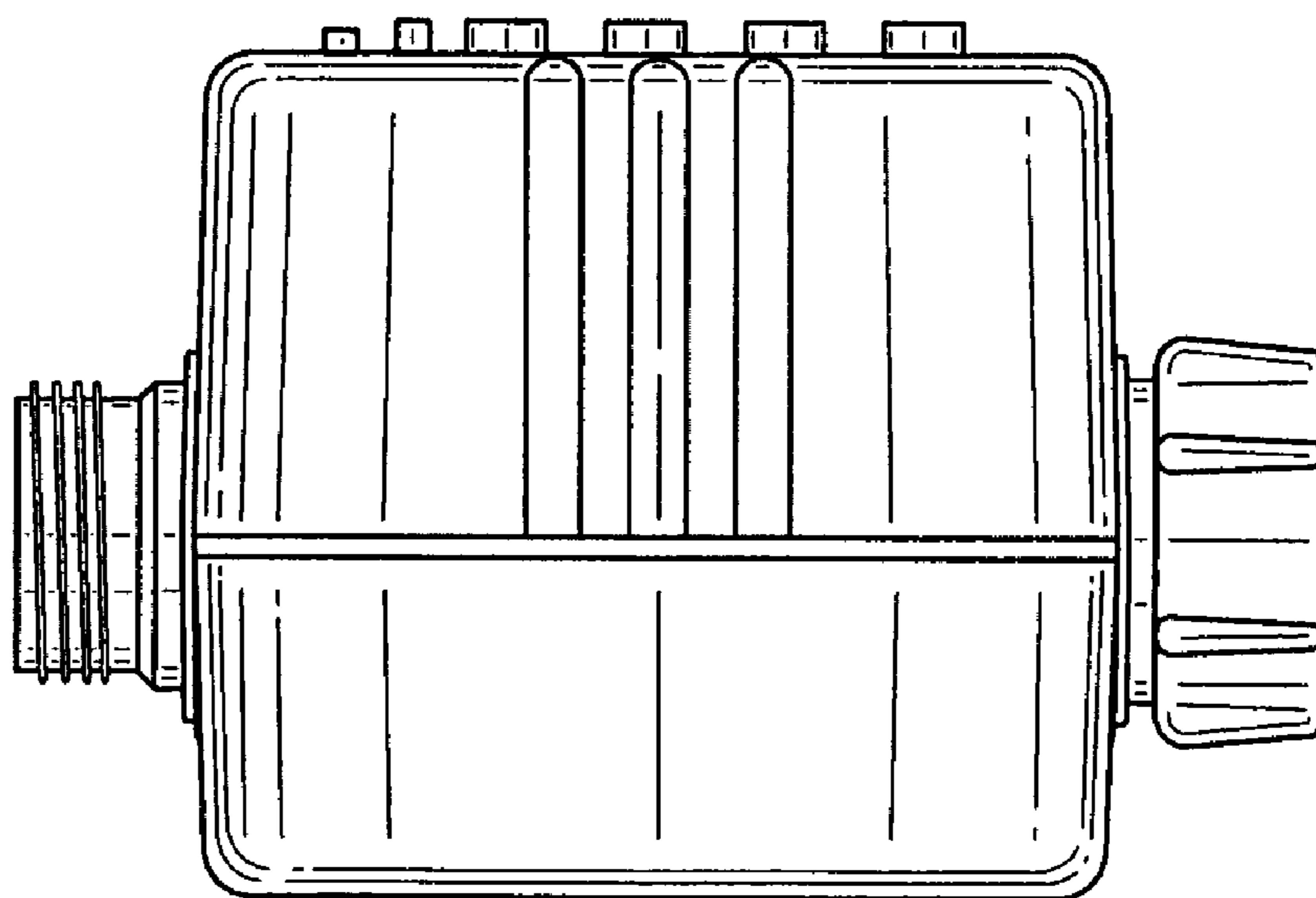


FIG. 7