



US00D567676S

(12) **United States Design Patent**
Tang

(10) **Patent No.:** **US D567,676 S**

(45) **Date of Patent:** **** Apr. 29, 2008**

(54) **WATCH BAND**

D543,192 S * 5/2007 Jung D14/138
D548,113 S * 8/2007 Burton D10/32
D549,221 S * 8/2007 Yagi et al. D14/218

(75) Inventor: **Lai Chun Tang**, Hong Kong (CN)

(73) Assignee: **Sweda Limited**, Kowloon (HK)

(**) Term: **14 Years**

(21) Appl. No.: **29/257,752**

(22) Filed: **Apr. 11, 2006**

(30) **Foreign Application Priority Data**

Jan. 27, 2006 (HK) 0600263

(51) **LOC (8) Cl.** **10-02**

(52) **U.S. Cl.** **D10/32**

(58) **Field of Classification Search** D10/2-39,
D10/123-132; D11/3-25; D14/4, 138, 218,
D14/489; 224/164-168, 179; 368/10, 21,
368/28-30, 69, 76, 77, 124-128, 139-144,
368/223, 228-234, 239-242, 276-277, 281-288,
368/294-295, 308, 319-321; 63/3, 3.1
See application file for complete search history.

(56) **References Cited**

U.S. PATENT DOCUMENTS

2,057,913 A * 10/1936 Piacentini 224/179
D143,816 S * 2/1946 Flatau D11/4
D158,759 S * 5/1950 Katz D11/4
2,584,270 A * 2/1952 Hucknall 368/281
D256,105 S * 7/1980 Durante D11/4
5,418,760 A * 5/1995 Kawashima et al. 368/69
D446,461 S * 8/2001 Wunderman D10/32
D525,149 S * 7/2006 Plan D10/32

* cited by examiner

Primary Examiner—Caron D. Veynar

Assistant Examiner—Ricky Pham

(57) **CLAIM**

The ornamental design for a watch band, as shown and described.

DESCRIPTION

FIG. 1 is a front elevational view of a watch band showing my new design;

FIG. 2 is a rear elevational view thereof;

FIG. 3 is a left side view thereof;

FIG. 4 is a right side view thereof;

FIG. 5 is a top plan view thereof;

FIG. 6 is a bottom plan view thereof;

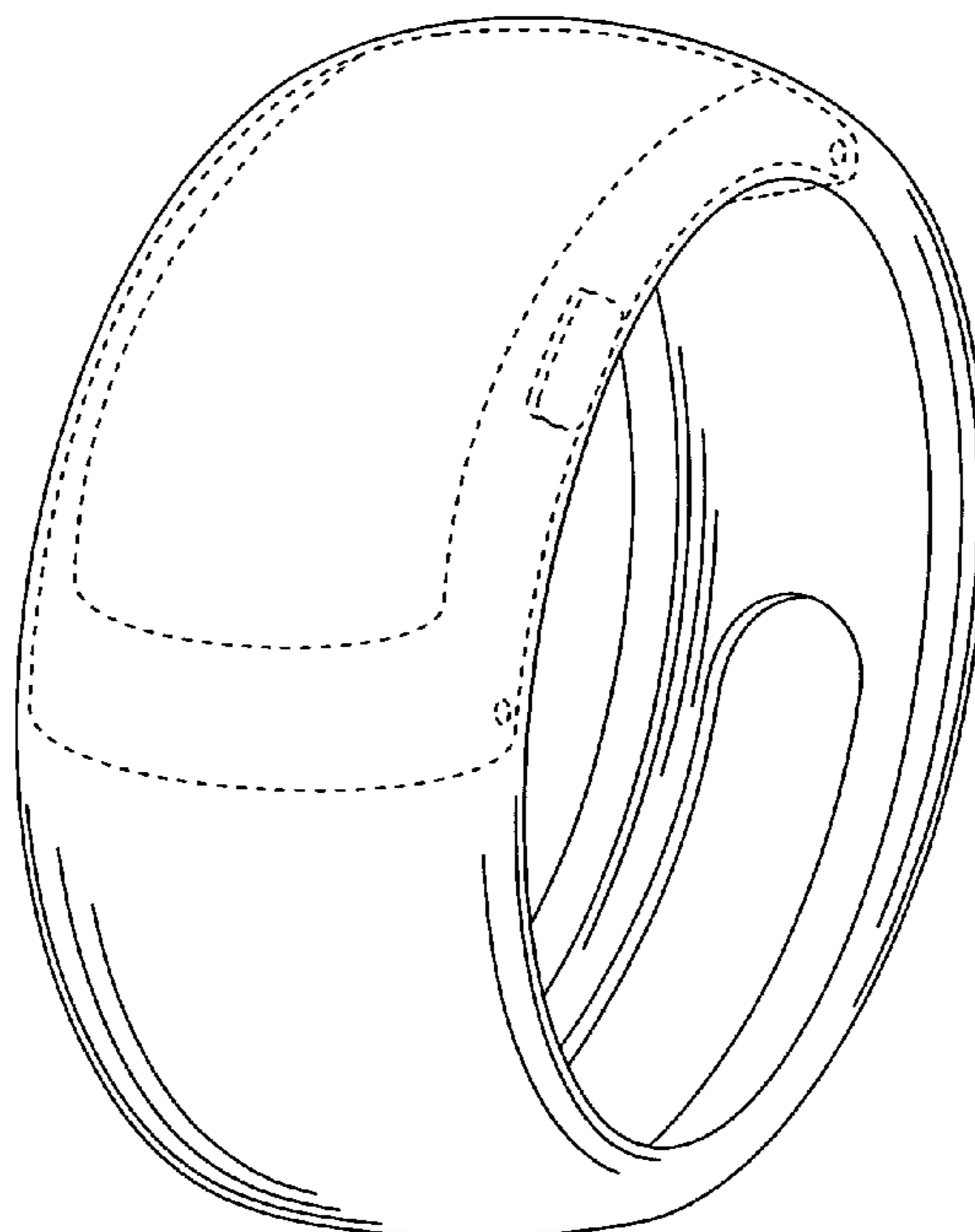
FIG. 7 is a perspective view thereof;

FIG. 8 is a right side view thereof with a watch case being put into the watch band; and,

FIG. 9 is a perspective view thereof with a watch case being put into the watch band.

The watch case shown in broken lines in FIG. 8 and FIG. 9 is shown for illustrative purposes only, and forms no part of the claimed design.

1 Claim, 7 Drawing Sheets



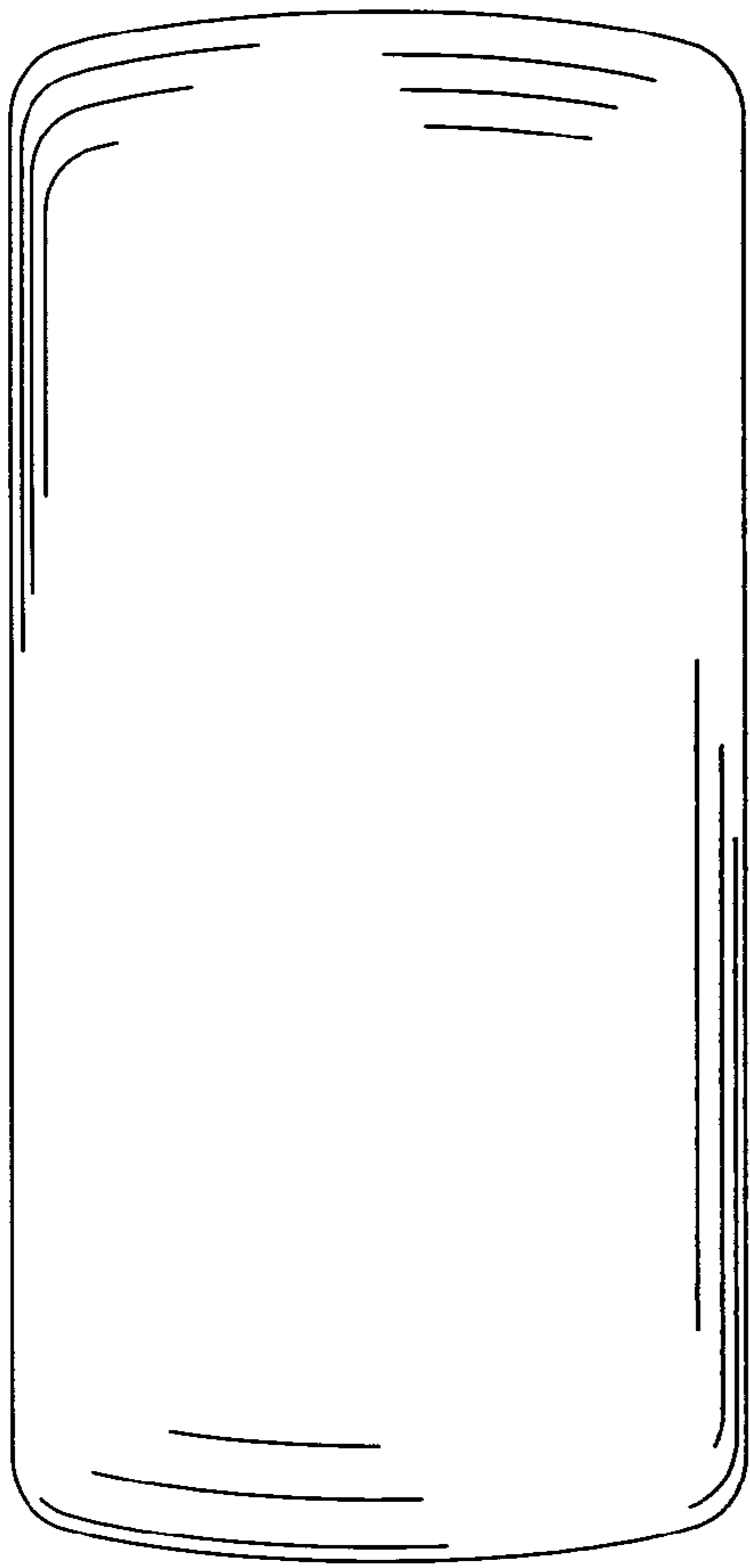


Fig. 1

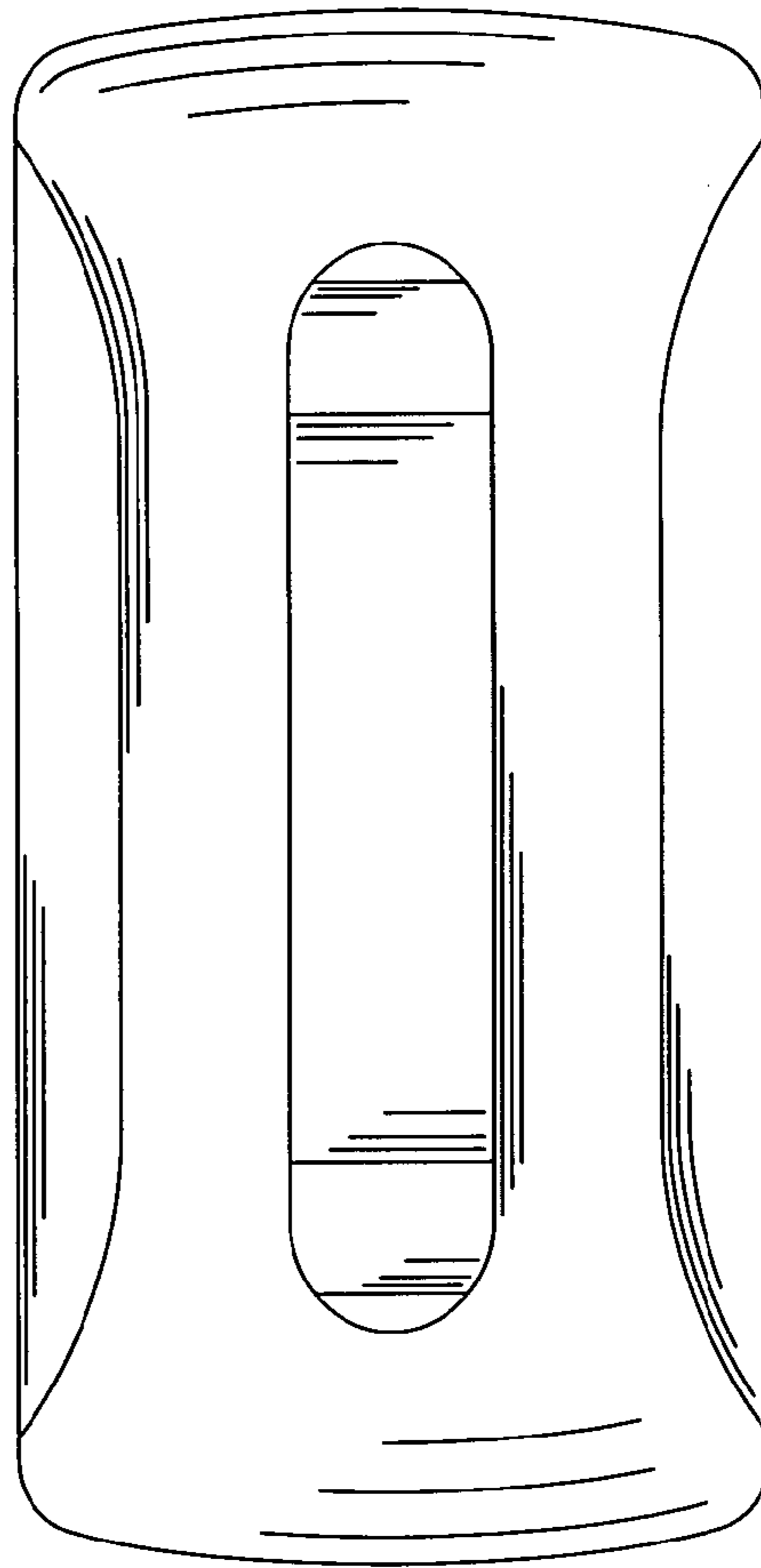


Fig. 2

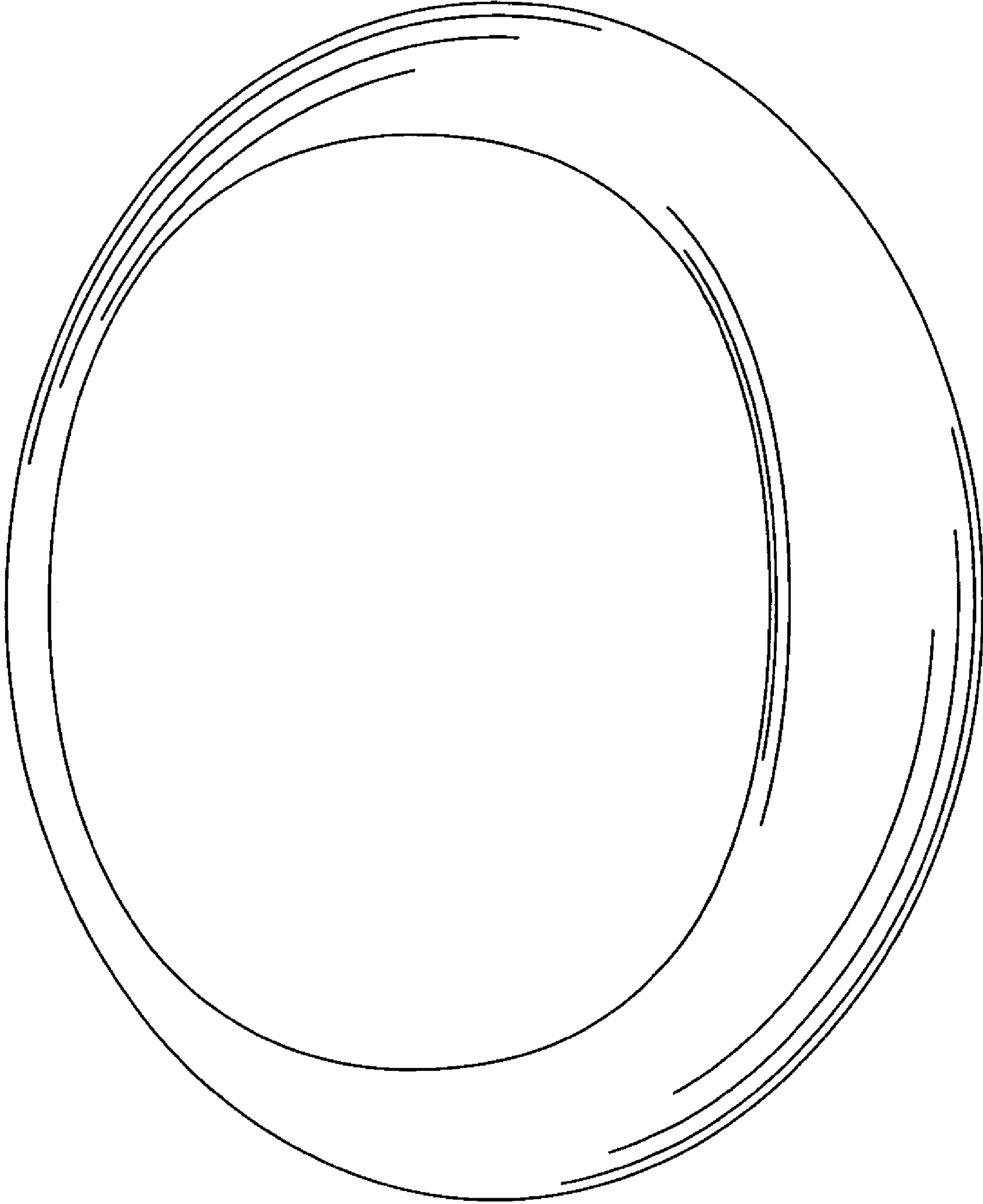


Fig. 3

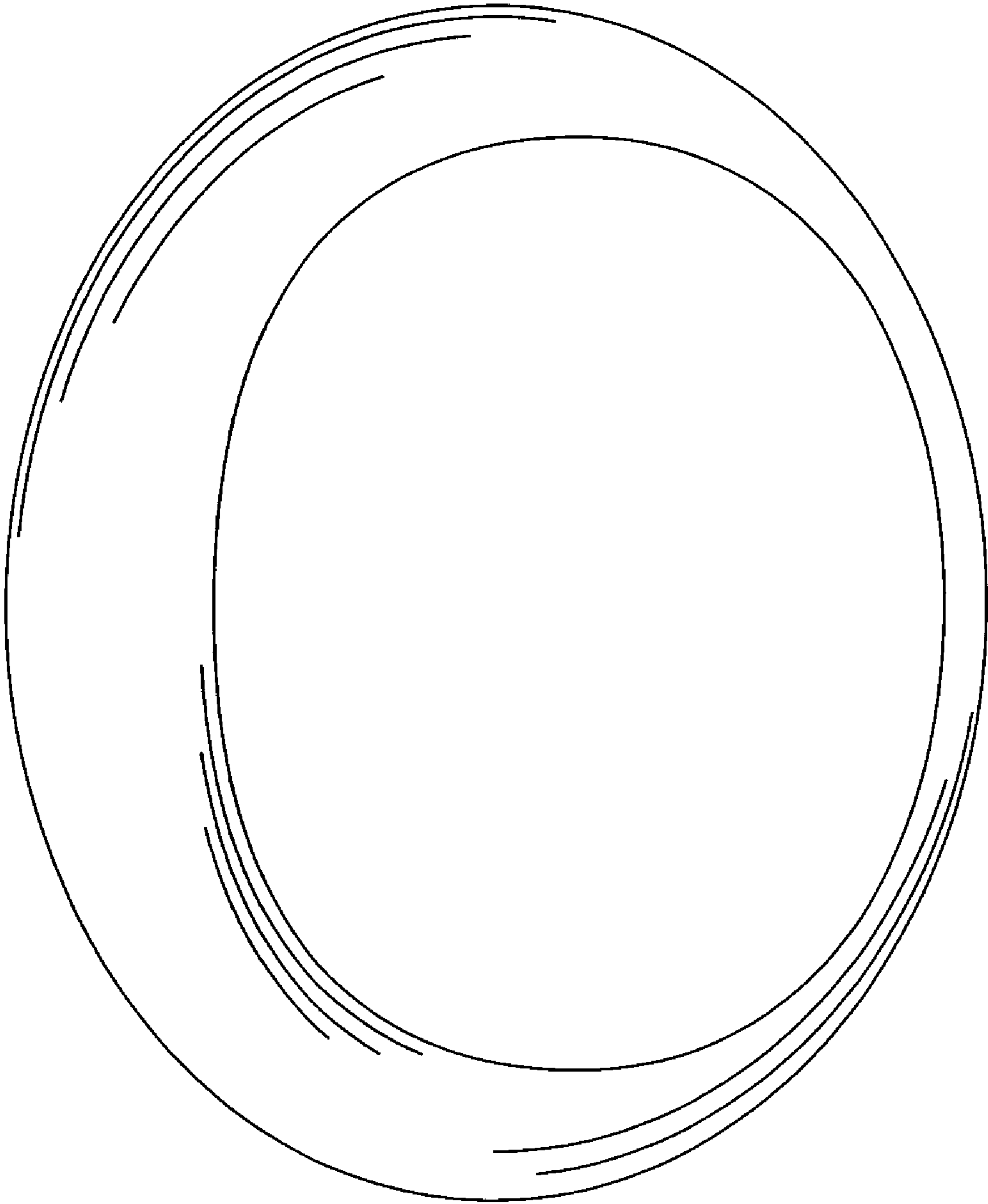


Fig.4

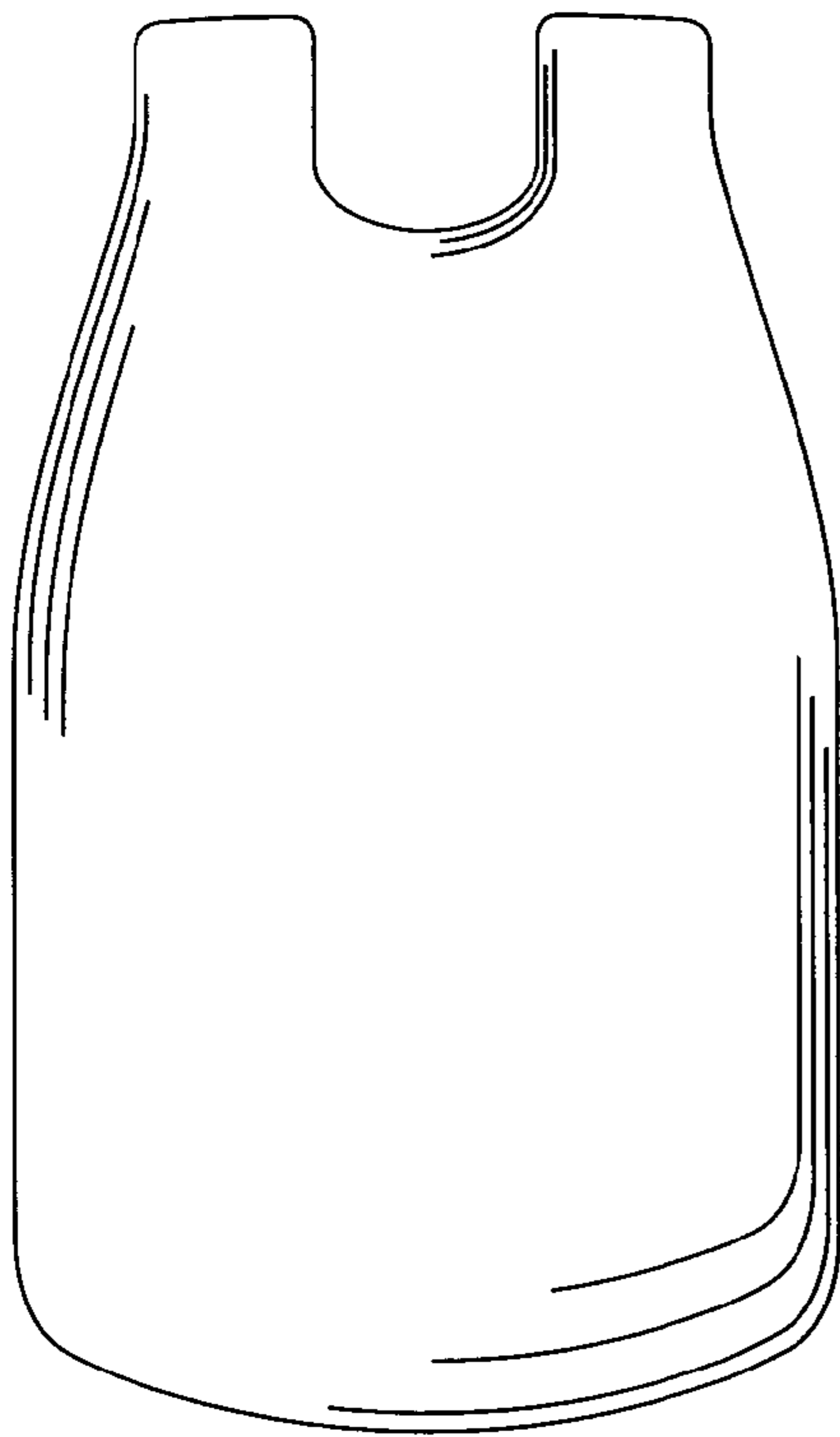


Fig. 5

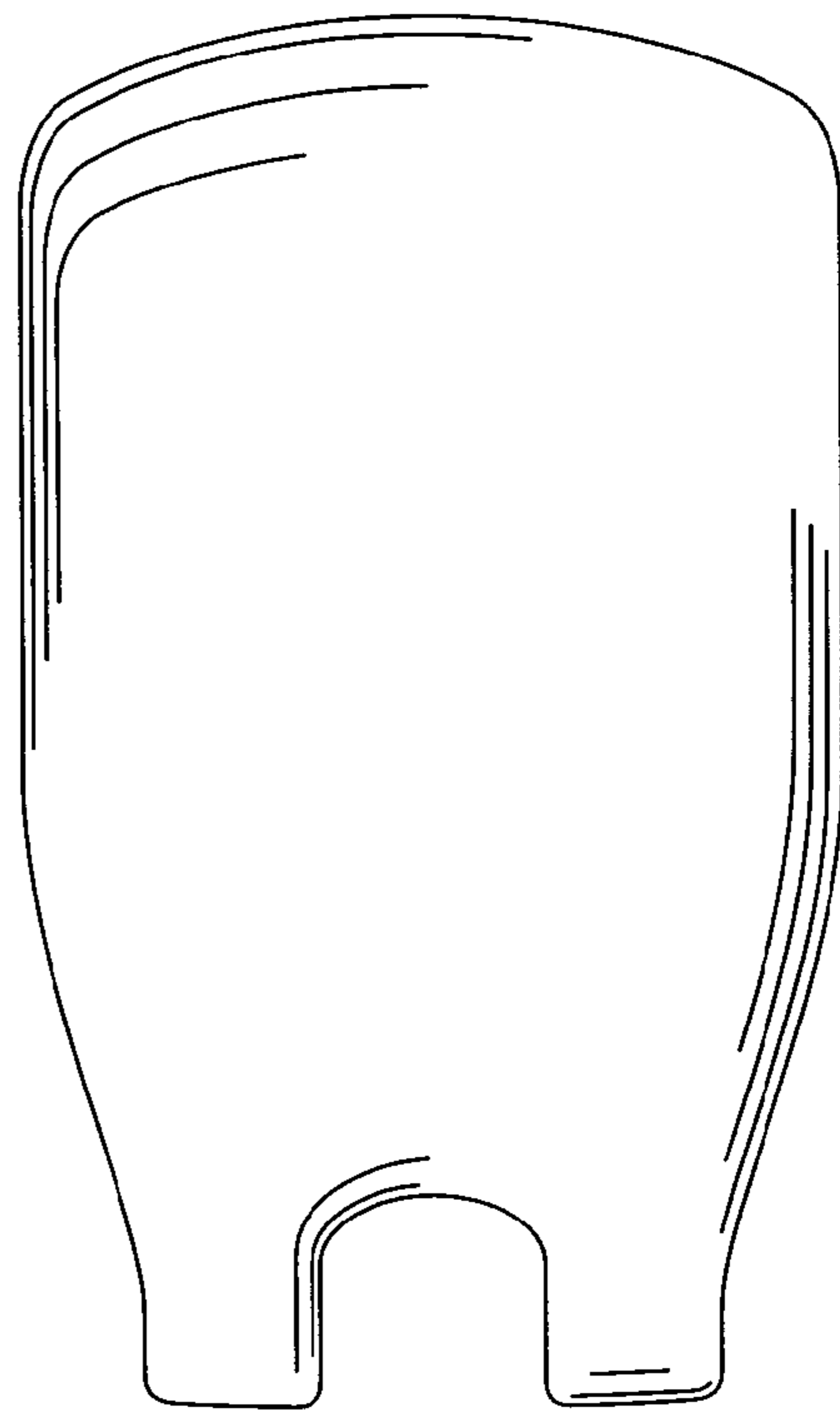


Fig. 6

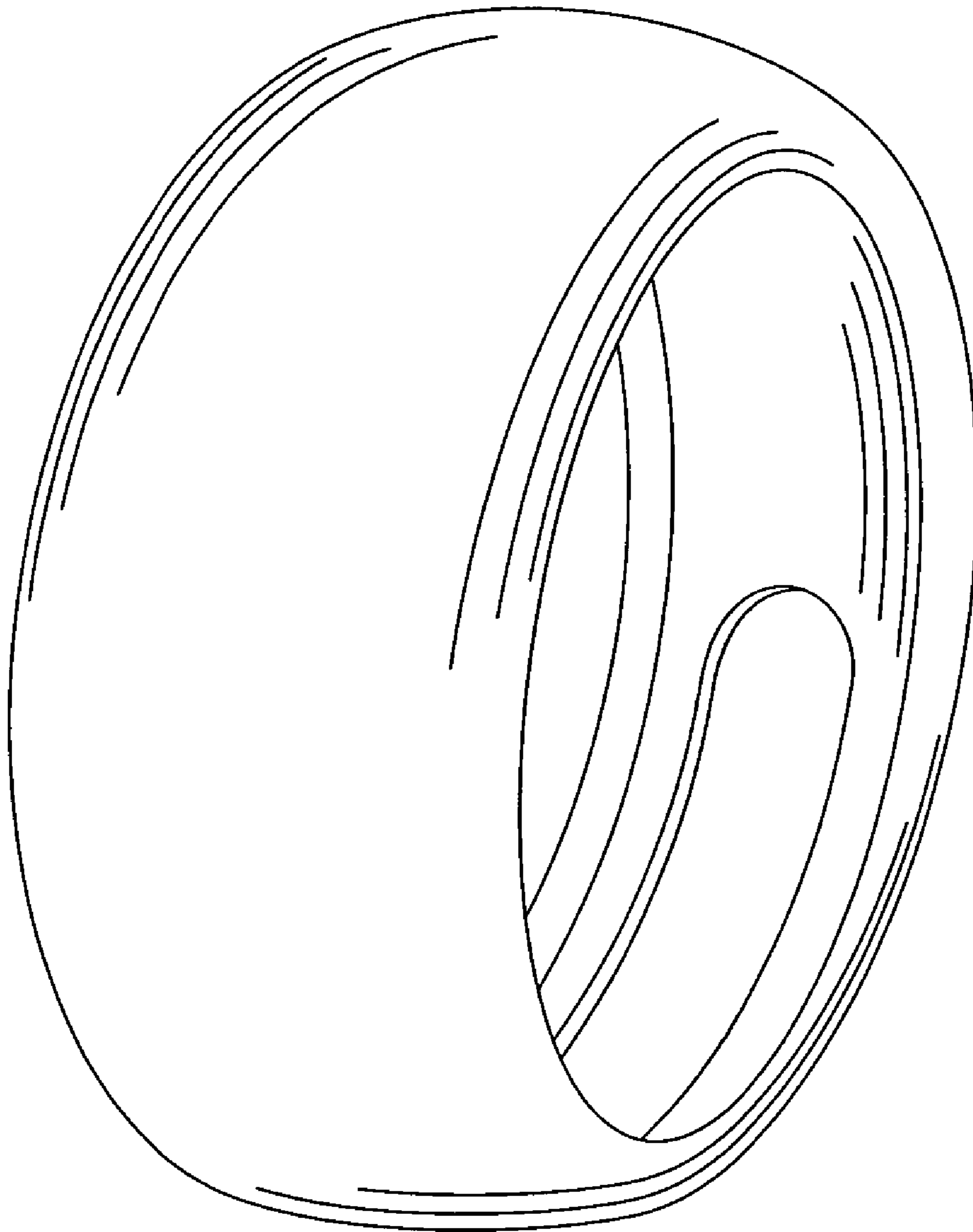


Fig. 7

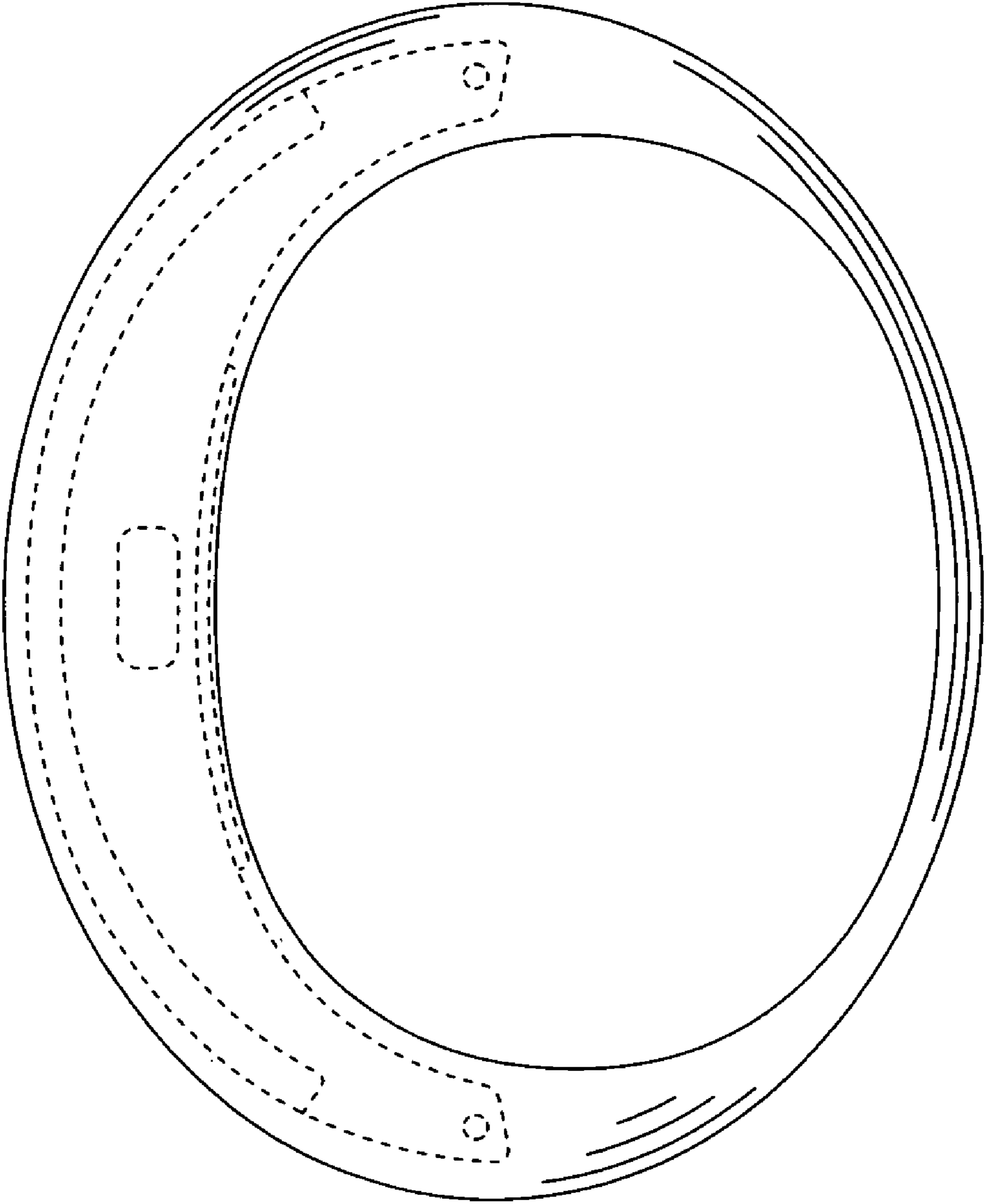


Fig. 8

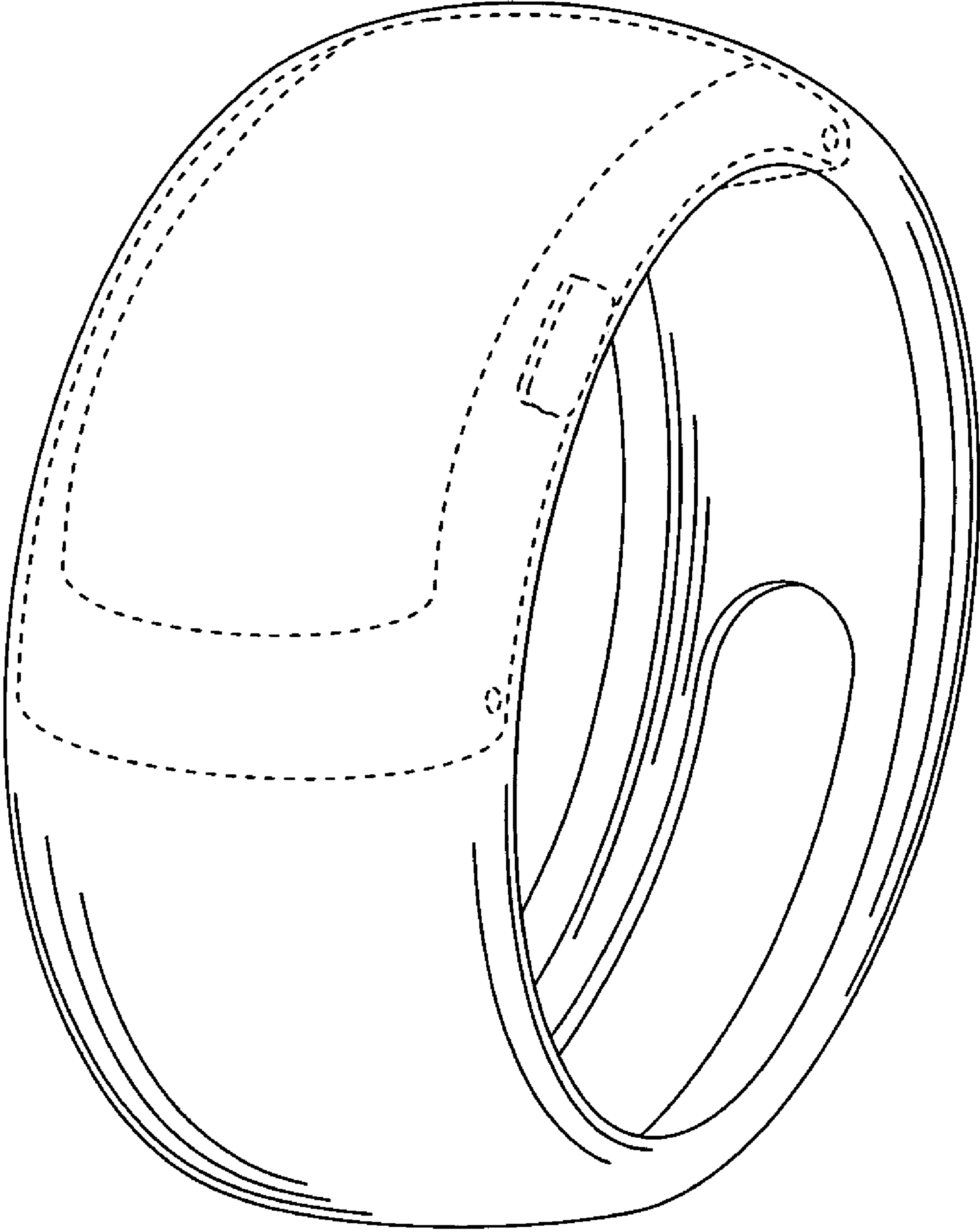


Fig.9