

US00D567673S

(12) **United States Design Patent**  
**Chu et al.**

(10) **Patent No.:** **US D567,673 S**  
(45) **Date of Patent:** **\*\* Apr. 29, 2008**

(54) **PROJECTION CLOCK**

(75) Inventors: **Luk Wah Jackson Chu**, Shenzhen (CN); **Ka Sun Wong**, Shenzhen (CN); **Sam Yeung Hon**, Shenzhen (CN)

(73) Assignee: **Ewig Industries Macao Commercial Offshore, Ltd.**, Shenzhen (CN)

(\*\*) Term: **14 Years**

(21) Appl. No.: **29/277,634**

(22) Filed: **Mar. 5, 2007**

(51) **LOC (8) Cl.** ..... **10-01**

(52) **U.S. Cl.** ..... **D10/15; D10/22**

(58) **Field of Classification Search** ..... D10/1-29, D10/122-132; 368/276, 278, 285, 316, 317, 368/21, 79, 29, 82-84, 239-242, 250, 30  
See application file for complete search history.

(56) **References Cited**

**U.S. PATENT DOCUMENTS**

D55,019 S *	5/1920	Bennet	.....	D10/23
D98,769 S *	3/1936	Horwitt	.....	D10/15
2,290,811 A *	7/1942	Nassoit	.....	368/76
D153,420 S *	4/1949	Dekanski	.....	D10/15
D276,703 S *	12/1984	Au	.....	D10/15
D312,408 S *	11/1990	Isobe	.....	D10/15
5,247,492 A *	9/1993	Pan	.....	368/79
D345,308 S *	3/1994	Kanai	.....	D10/26
D355,607 S *	2/1995	Pan	.....	D10/1
D392,901 S *	3/1998	Mok	.....	D10/22
D460,362 S *	7/2002	Kalman	.....	D10/22

D460,920 S *	7/2002	Kalman	.....	D10/22
6,595,683 B1 *	7/2003	Cetera	.....	368/316
D478,890 S *	8/2003	Ng	.....	D14/170
D525,880 S *	8/2006	Okamura	.....	D10/2
D531,057 S *	10/2006	Bhavnani	.....	D10/1
7,149,152 B1 *	12/2006	Chan	.....	368/79
D546,200 S *	7/2007	Chan	.....	D10/1

**FOREIGN PATENT DOCUMENTS**

EP 858013 A2 \* 8/1998

\* cited by examiner

*Primary Examiner*—Lucy Lieberman

(74) *Attorney, Agent, or Firm*—Lathrop & Gage LC

(57) **CLAIM**

The ornamental design for a projection clock, as shown and described.

**DESCRIPTION**

FIG. 1 is a perspective view of a projection clock, showing the new design;

FIG. 2 is a front view thereof;

FIG. 3 is a back view thereof;

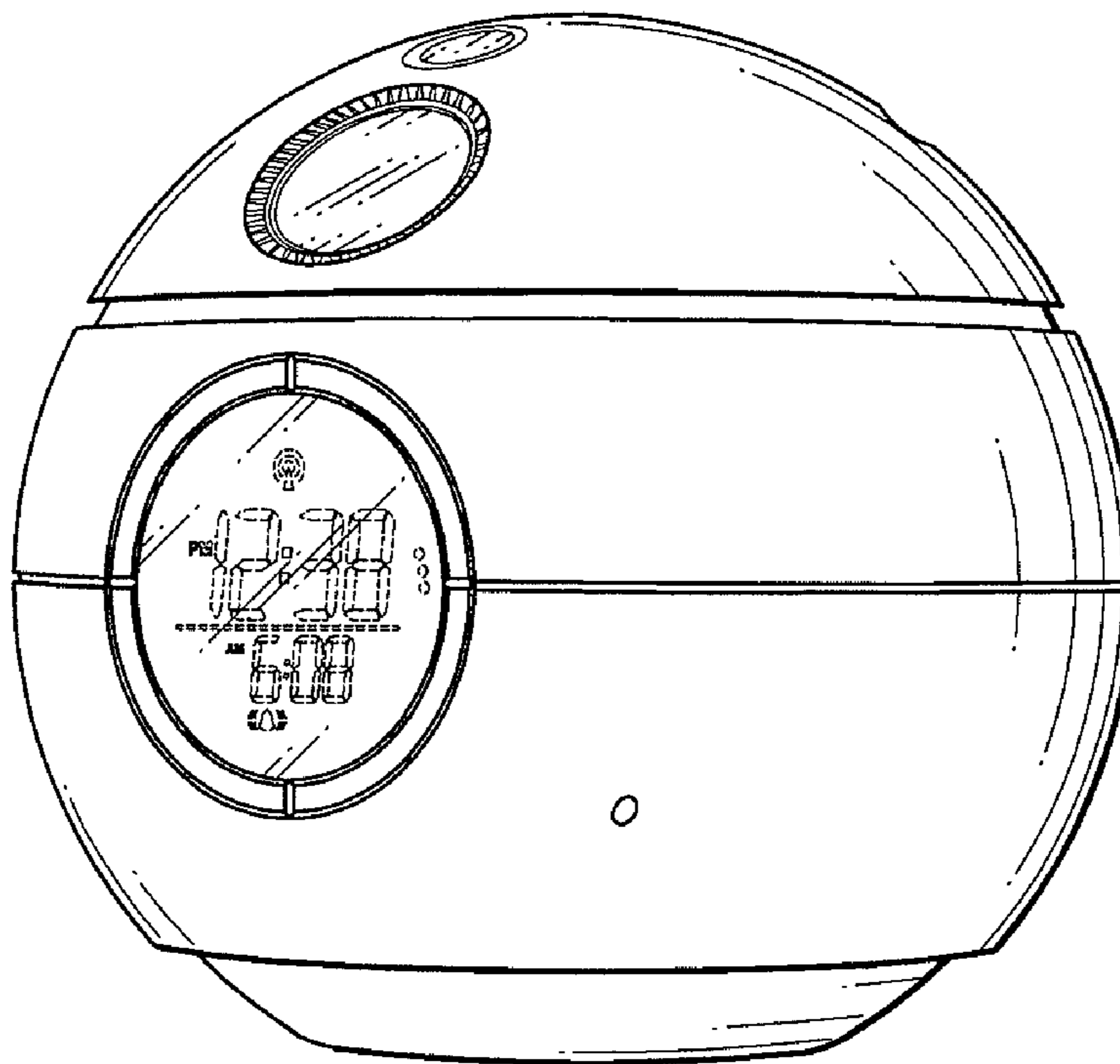
FIG. 4 is a top view thereof;

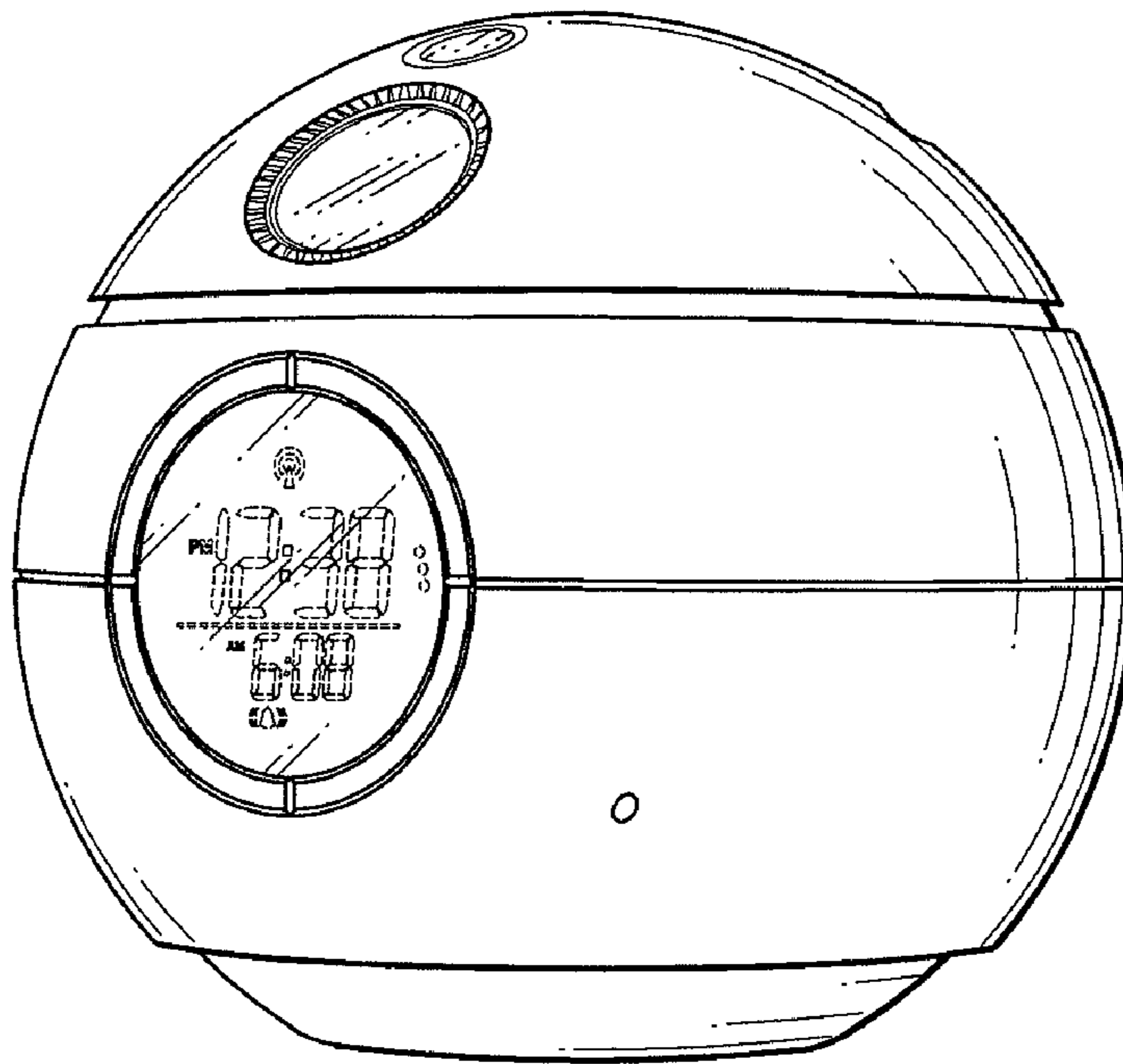
FIG. 5 is a bottom view thereof; and,

FIG. 6 is a right side elevation thereof.

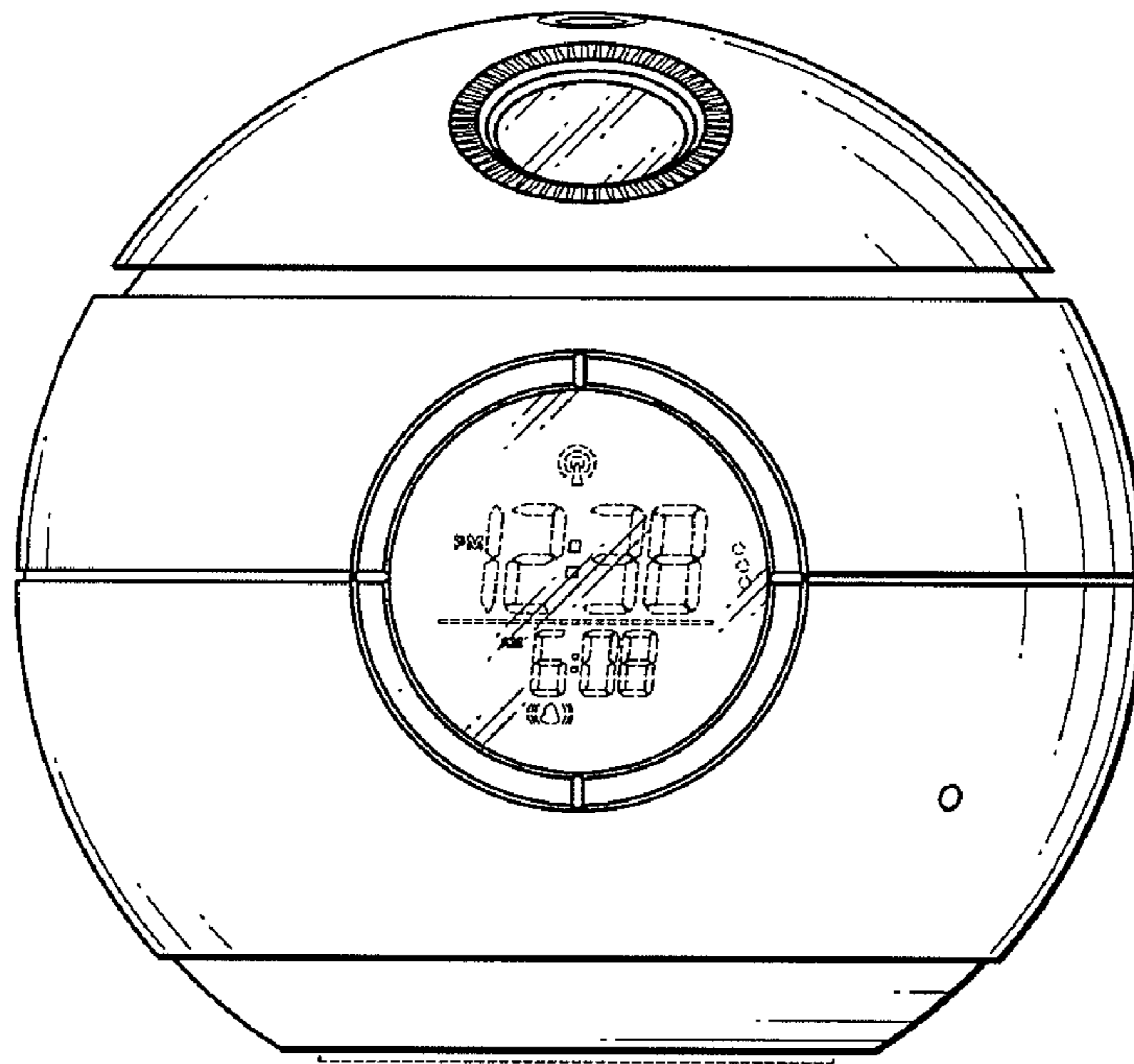
The broken lines in the drawings are for illustrative purposes only and form no part of the claimed design.

**1 Claim, 3 Drawing Sheets**

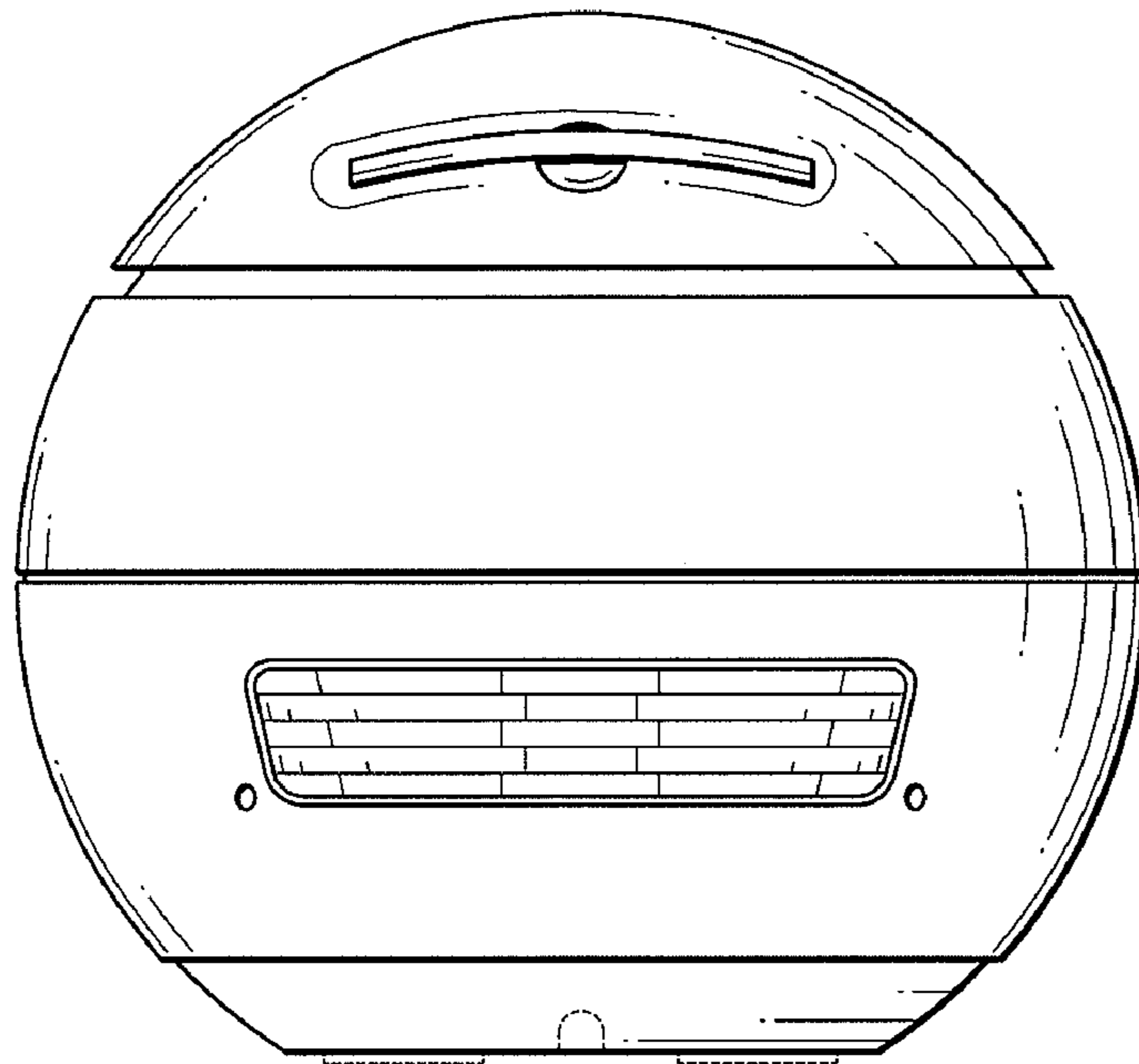




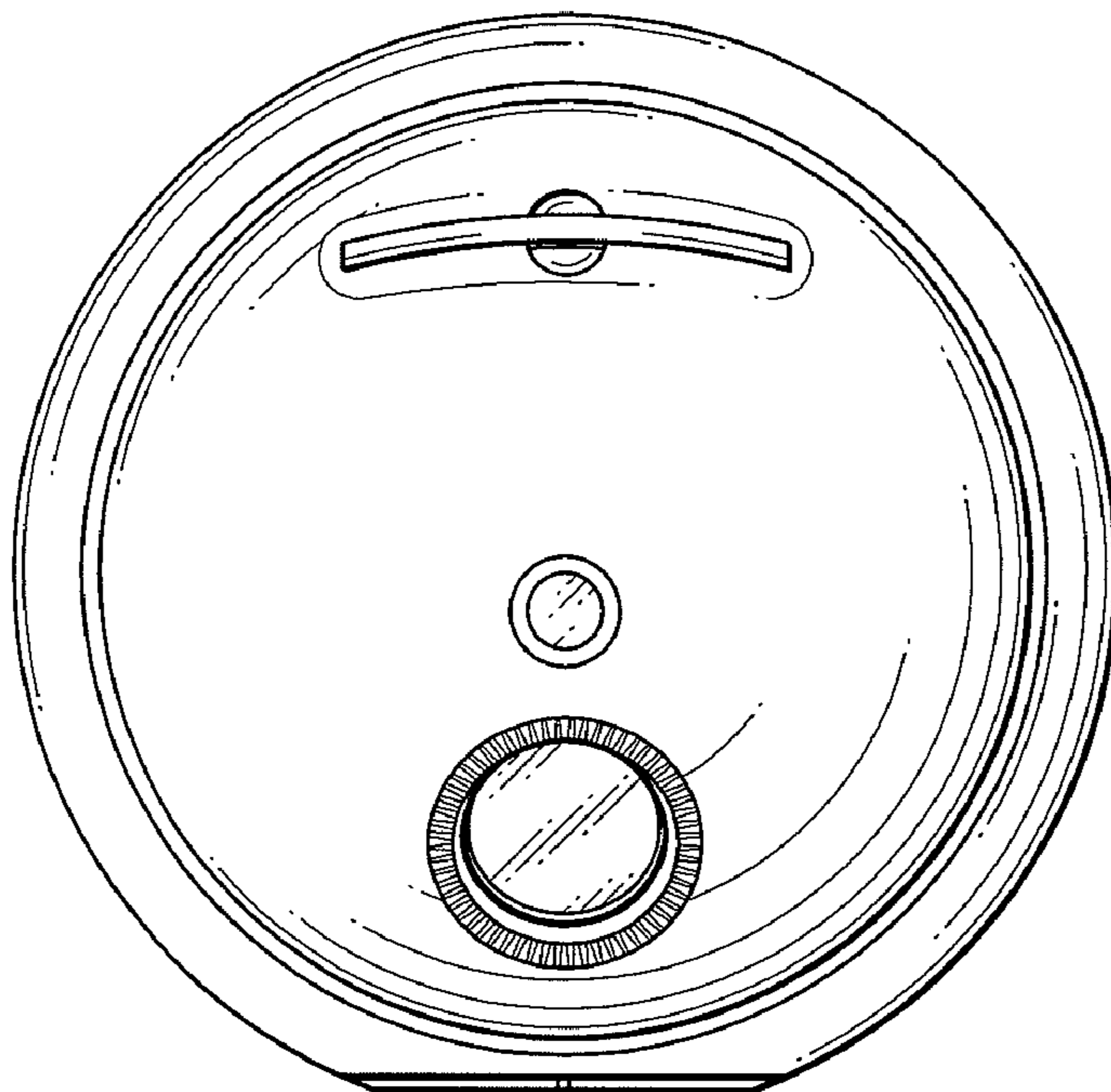
**FIG. 1**



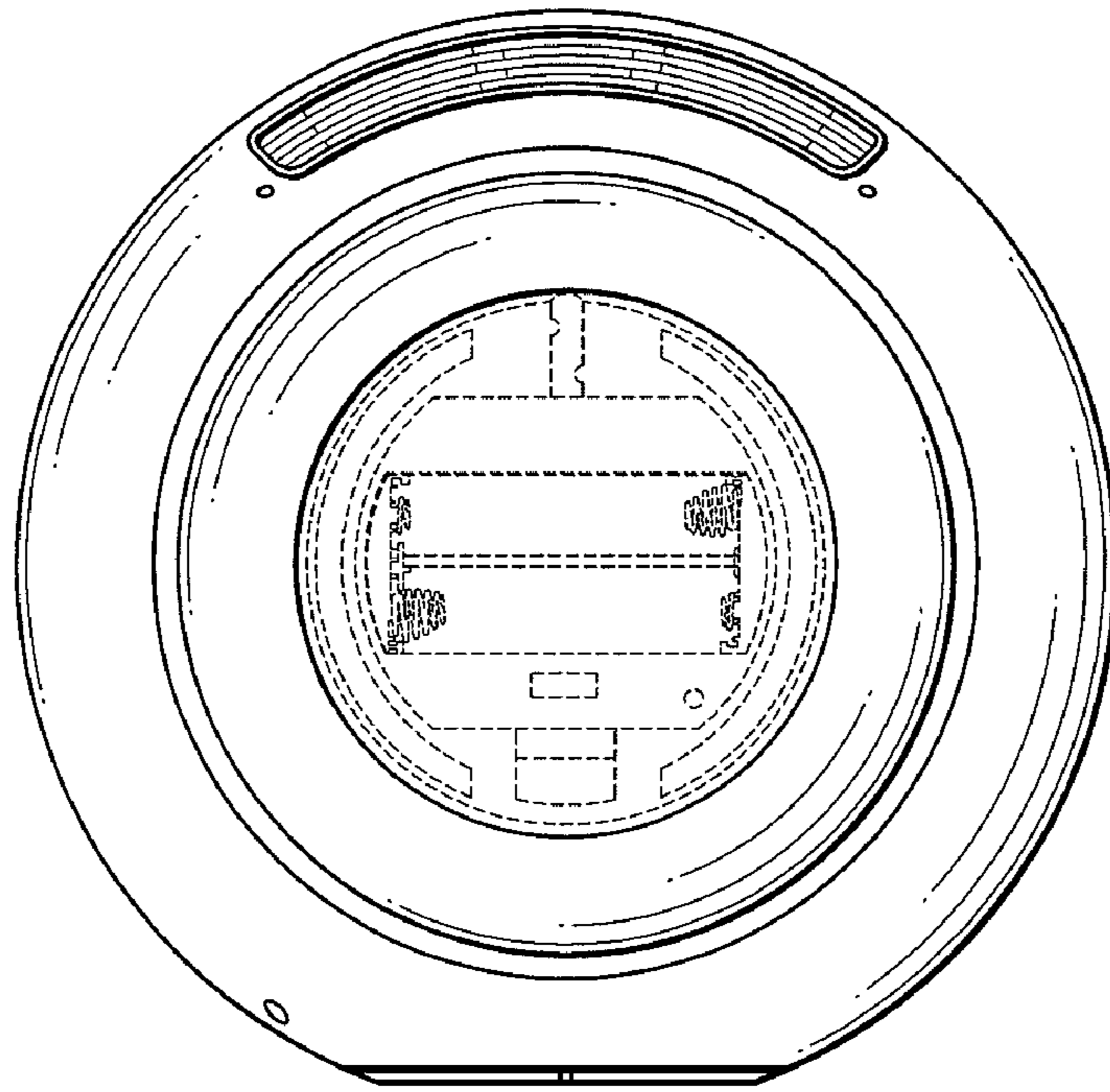
**FIG. 2**



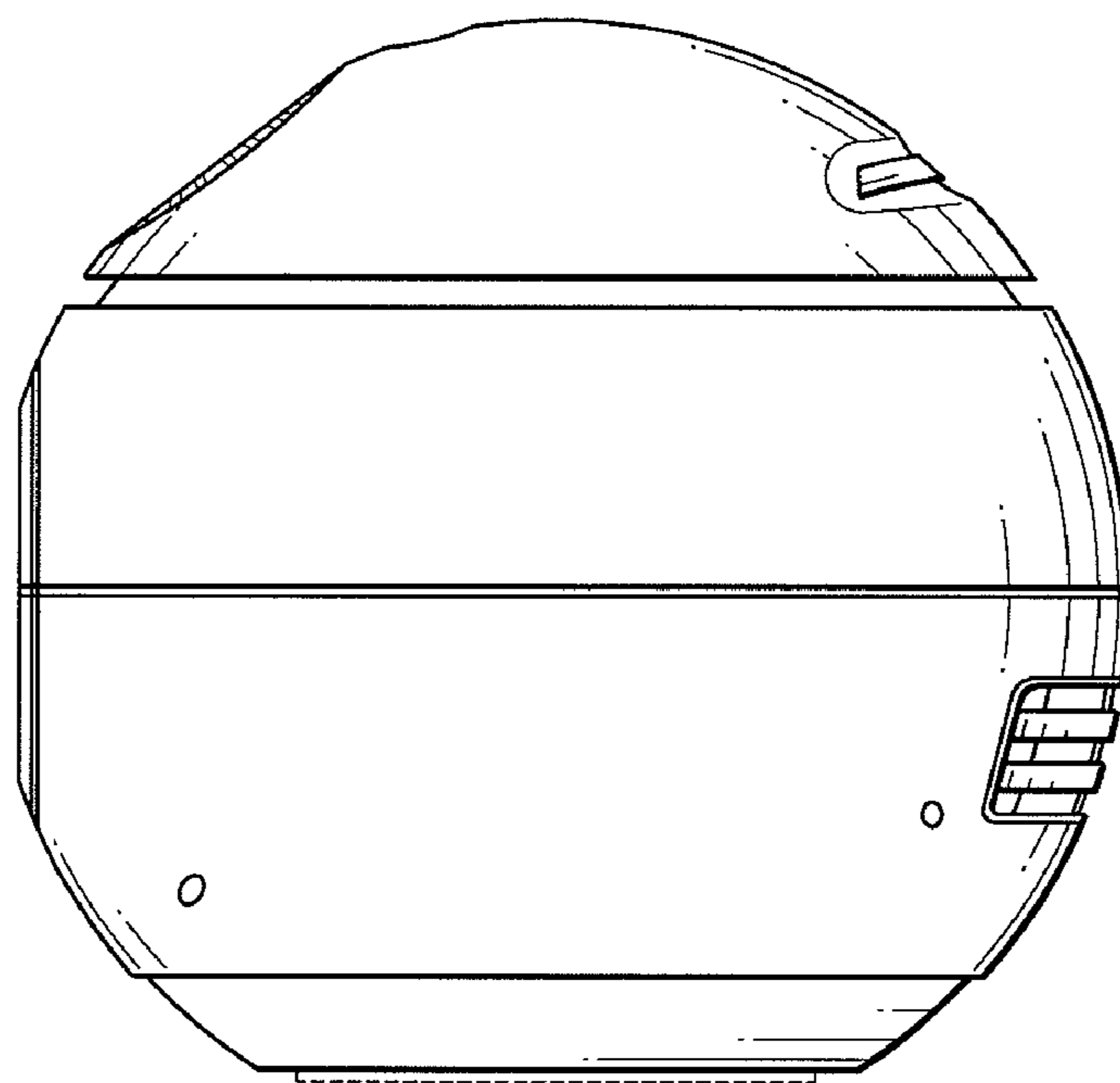
**FIG. 3**



**FIG. 4**



**FIG. 5**



**FIG. 6**