



US00D567672S

(12) **United States Design Patent**
Sheu

(10) **Patent No.:** **US D567,672 S**
(45) **Date of Patent:** **** Apr. 29, 2008**

(54) **WONTON PACKING TRAY**

(76) **Inventor:** **Tzy Yang Sheu**, 20242 San Gabriel Valley Dr., Walnut, CA (US) 91789

(**) **Term:** **14 Years**

(21) **Appl. No.:** **29/291,200**

(22) **Filed:** **Aug. 20, 2007**

(51) **LOC (8) Cl.** **09-03**

(52) **U.S. Cl.** **D9/758; D9/456; D9/761**

(58) **Field of Classification Search** D9/756,
D9/737, 755, 456, 424, 414, 425, 758; D7/550.1,
D7/553.1, 553.2, 614; D3/311, 314; 206/503,
206/557, 561, 564, 703-705, 524.1
See application file for complete search history.

(56) **References Cited**

U.S. PATENT DOCUMENTS

D166,460 S *	4/1952	French	D9/456
D204,169 S *	3/1966	Kennedy	D9/456
3,420,395 A *	1/1969	Boyd et al.	217/26.5
3,501,080 A *	3/1970	Govatsos	229/120.07
D225,836 S *	1/1973	Boyd	D9/456
3,896,239 A *	7/1975	Peters	426/119
D255,657 S *	7/1980	Florian et al.	D9/758
D275,366 S *	9/1984	Maxwell	D9/759
D289,854 S *	5/1987	Lane et al.	D9/760
D529,401 S *	10/2006	Aoki	D9/756
2005/0167317 A1 *	8/2005	Barrett et al.	206/557

* cited by examiner

Primary Examiner—Stella M. Reid

Assistant Examiner—Mark A Goodwin

(74) *Attorney, Agent, or Firm*—Mark C. Jacobs, Esq.

(57) **CLAIM**

The ornamental design for a wonton packing tray, as shown and described.

DESCRIPTION

FIG. 1 is a top plan view of the wonton packing tray of this design.

FIG. 2 is a front elevational view thereof. (The rear elevation is a mirror image thereof.)

FIG. 3 is a left side elevational view of the wonton packing tray of this design.

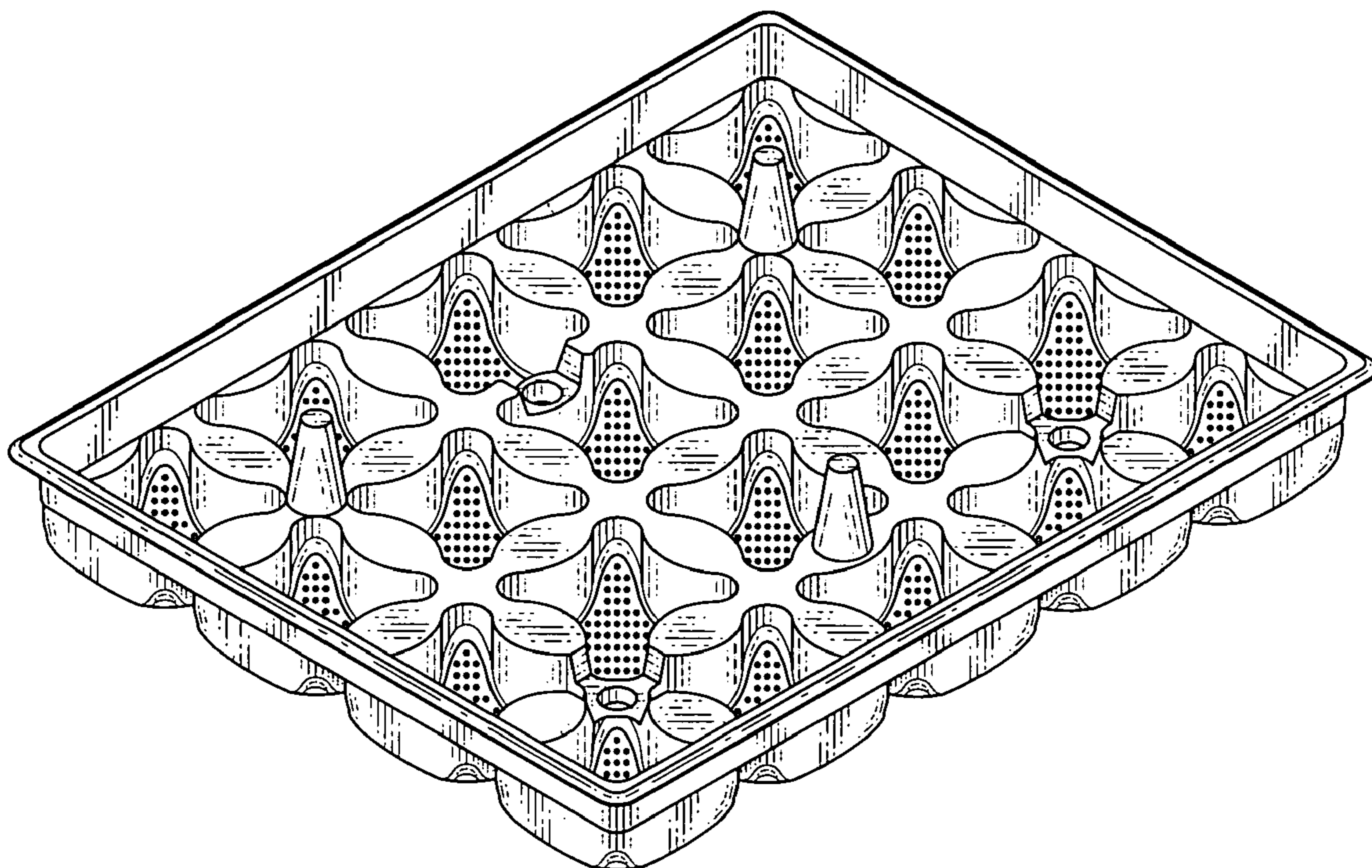
FIG. 4 is a bottom plan view thereof.

FIG. 5 is a left side perspective view of a series of trays stacked for empty shipment.

FIG. 6 is a left side perspective view of a series of these trays stacked for wonton shipment, but with wonton product omitted; and,

FIG. 7 is a left side perspective view of a single tray of this design.

1 Claim, 3 Drawing Sheets



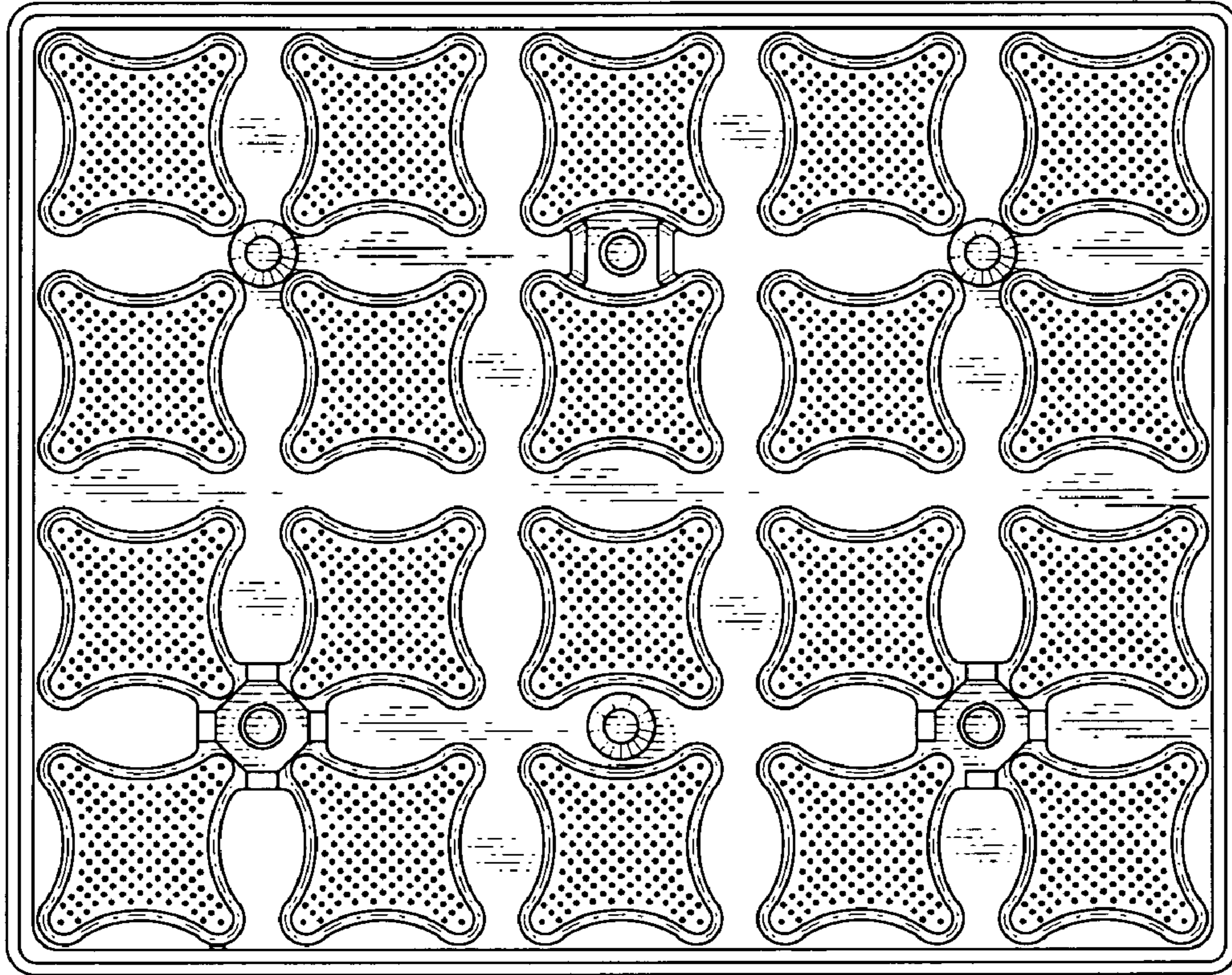


Fig. 1

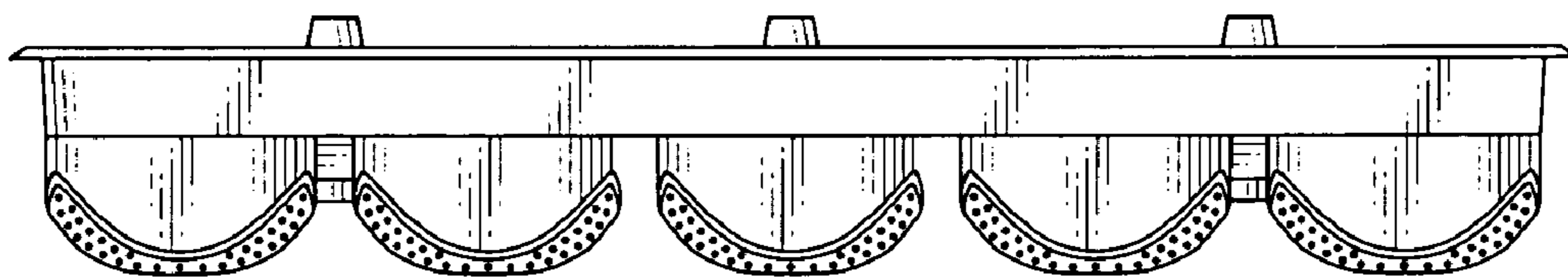


Fig. 2

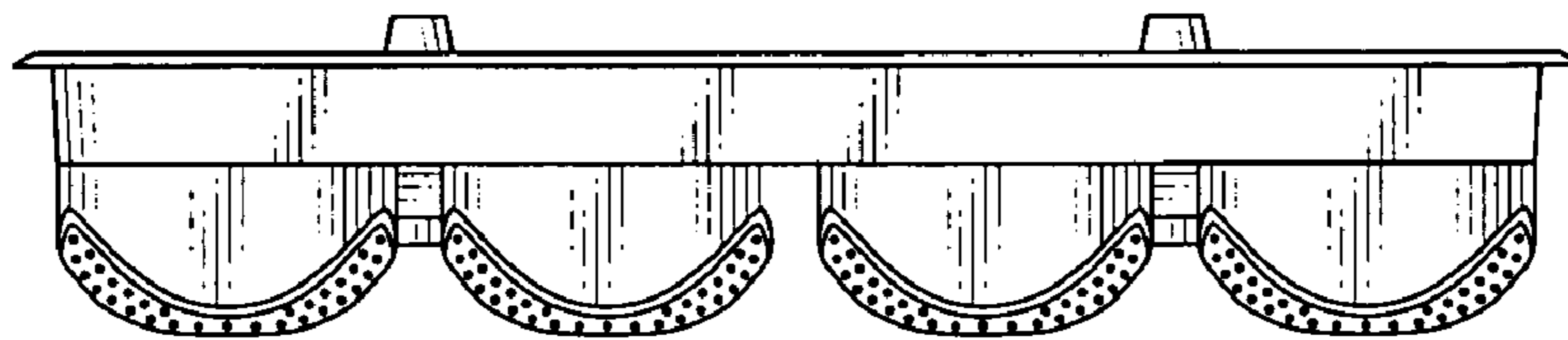


Fig. 3

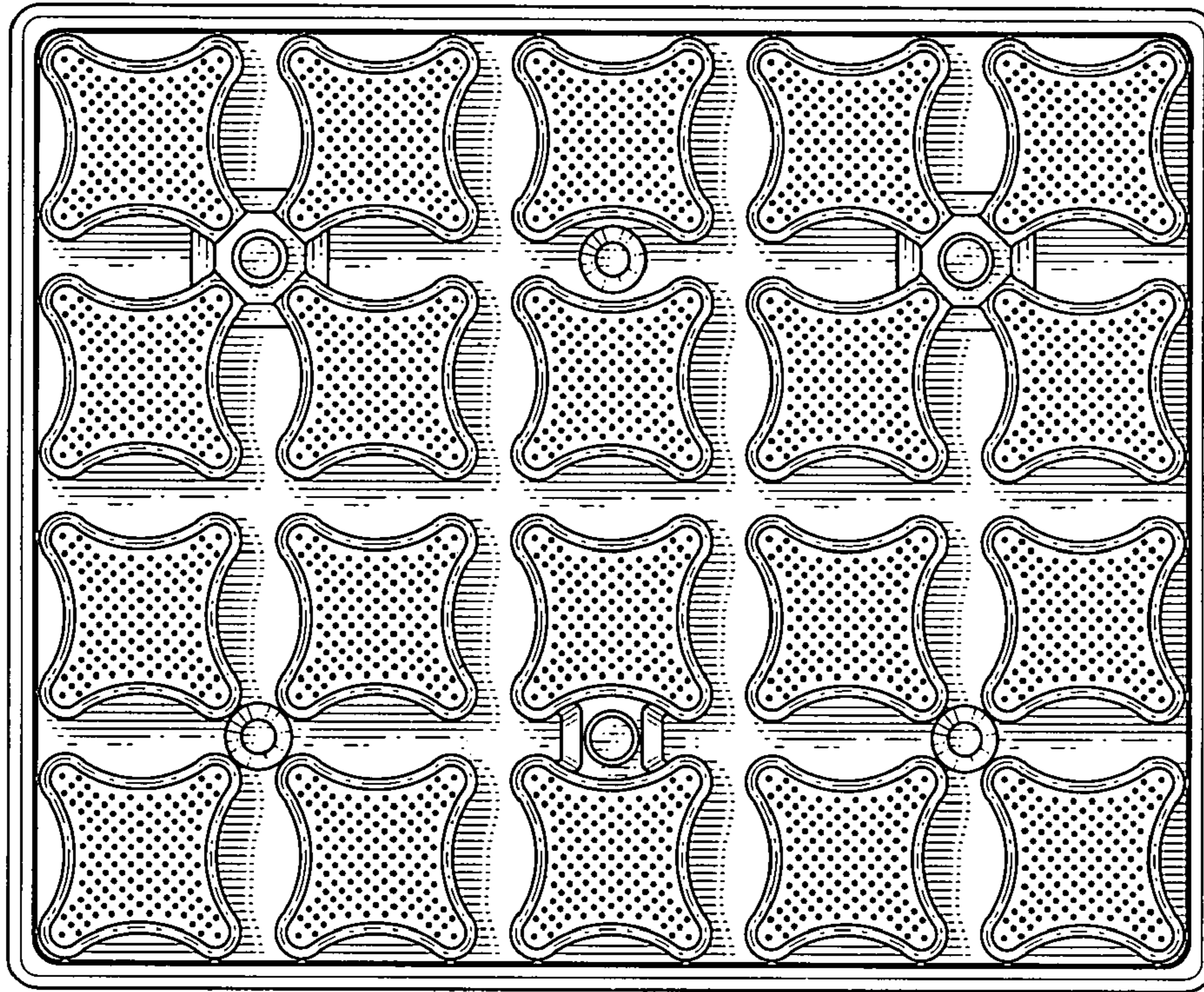


Fig. 4

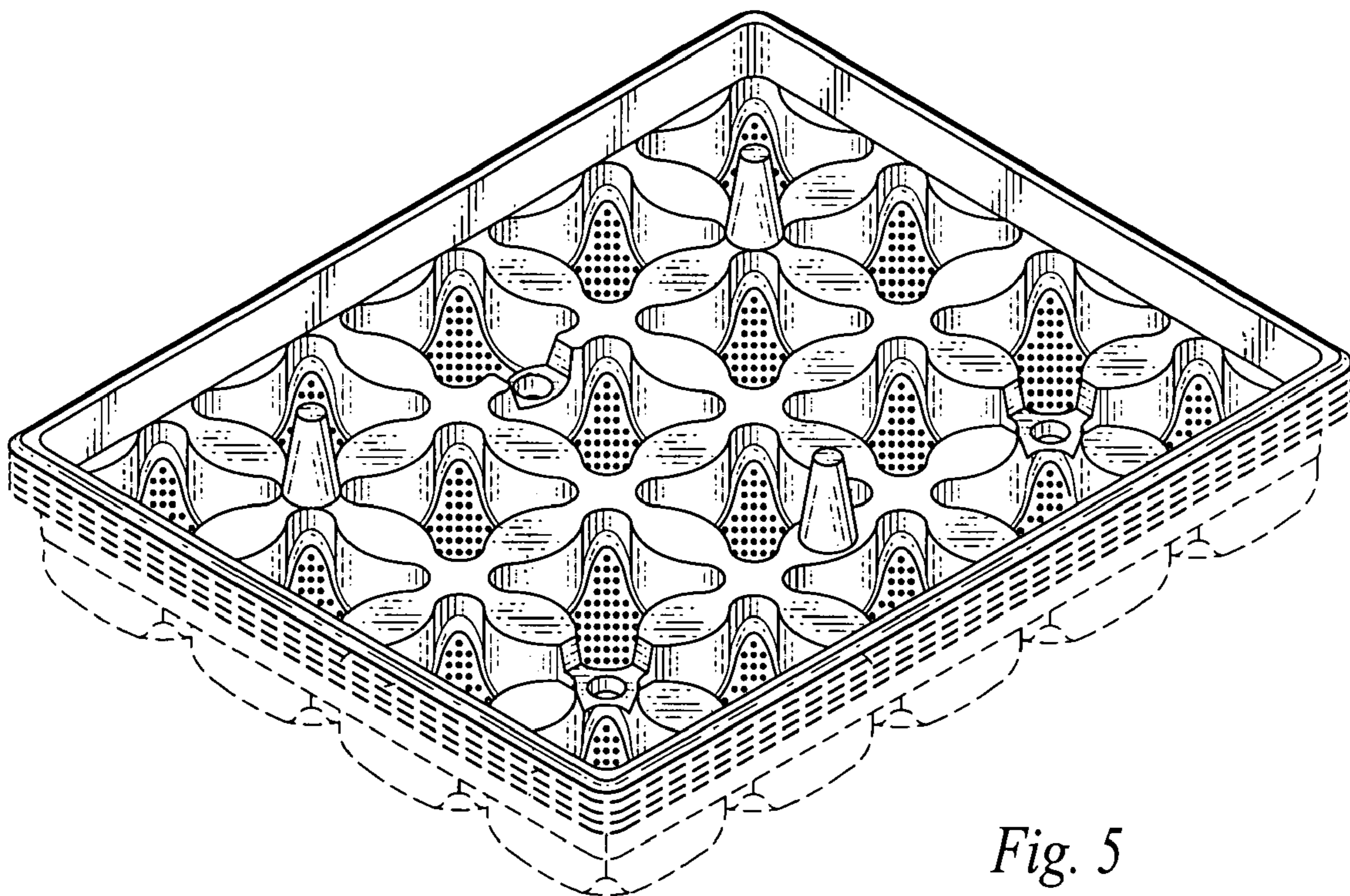


Fig. 5

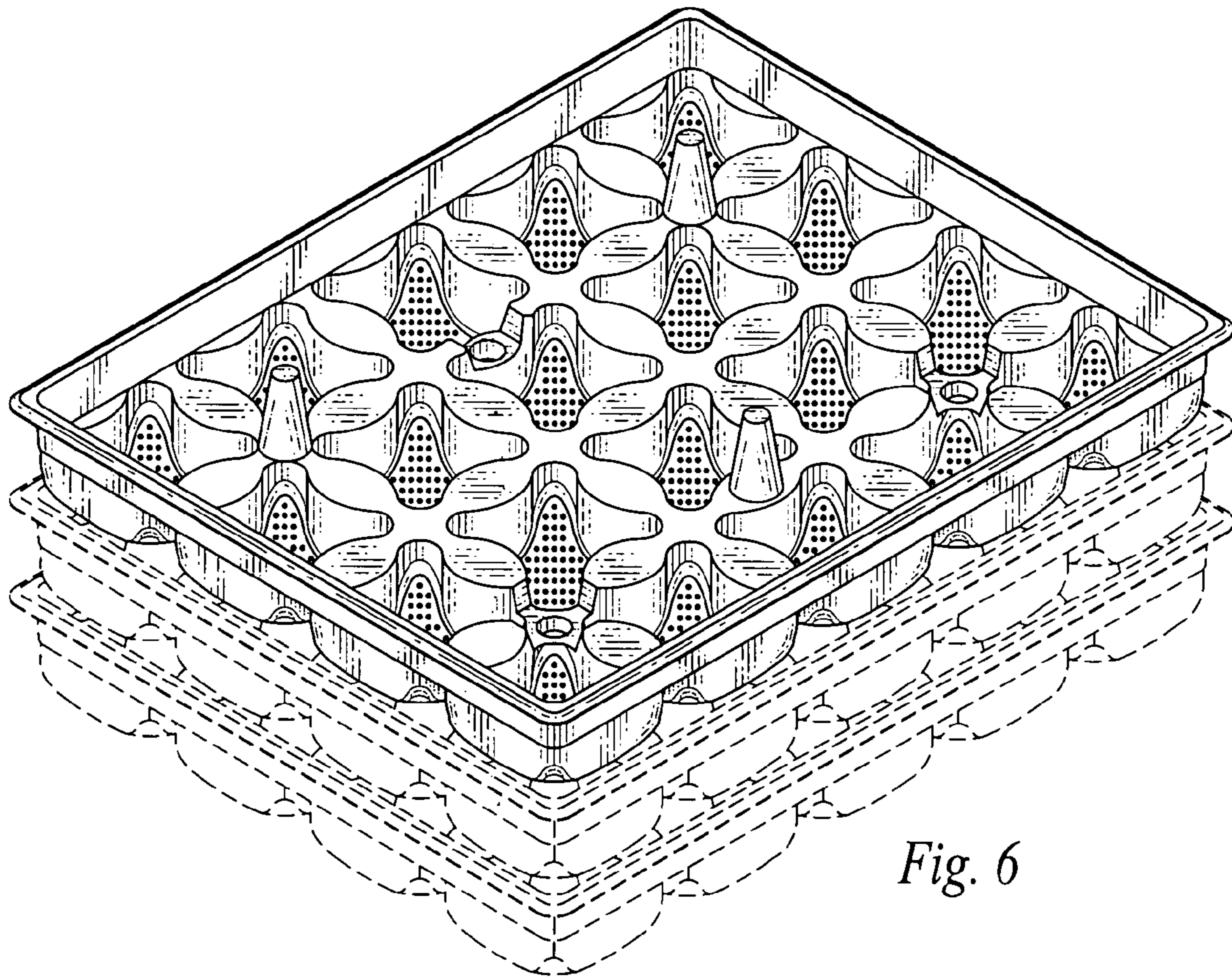


Fig. 6

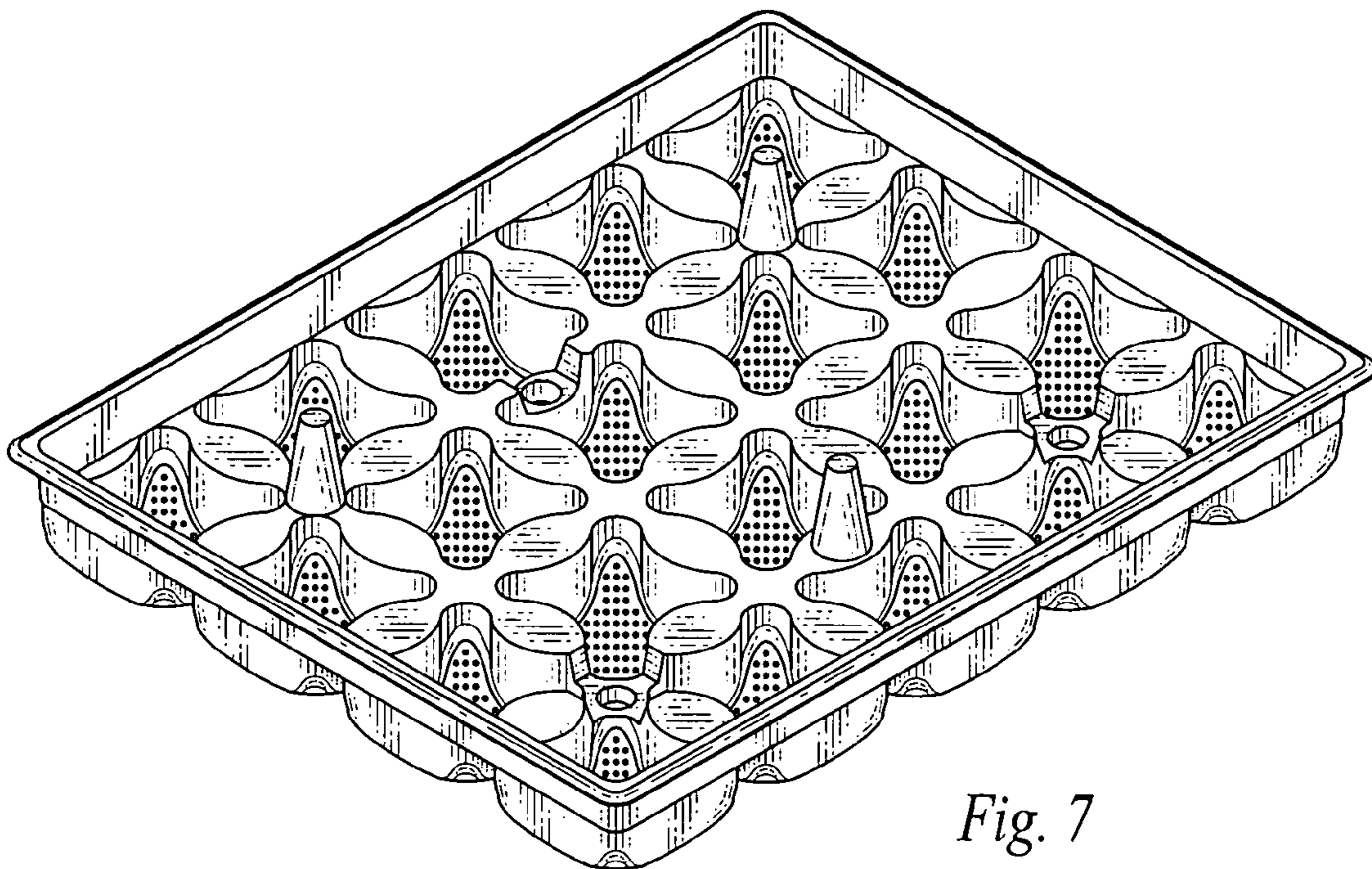


Fig. 7