

US00D567671S

(12) **United States Design Patent**
Say Ulin

(10) **Patent No.:** **US D567,671 S**
(45) **Date of Patent:** **** Apr. 29, 2008**

(54) **DRINK AND FOOD TRAY**
(75) Inventor: **Mynor Alberto Say Ulin**, Guatemala (GT)
(73) Assignee: **Cajas Y Empaques de Guatemala S.A.**, Guatemala (GT)
(**) Term: **14 Years**
(21) Appl. No.: **29/281,930**
(22) Filed: **Jul. 6, 2007**

D382,201 S * 8/1997 Brondyke et al. D9/761
D386,680 S * 11/1997 Johnson D9/753
5,738,217 A * 4/1998 Hunter 206/549
5,797,486 A * 8/1998 Picciolo 206/194
5,803,264 A * 9/1998 Gersten et al. 206/549
D406,759 S * 3/1999 Lawrence D9/430
5,927,502 A * 7/1999 Hunter 206/549
D421,898 S * 3/2000 Strange D9/711
D442,483 S * 5/2001 Holden D9/753
D461,712 S * 8/2002 Davis D9/753
D461,713 S * 8/2002 Foreman D9/434
D497,309 S * 10/2004 Nordland et al. D9/415
6,834,762 B2 * 12/2004 Krisko et al. 206/162

* cited by examiner

(51) **LOC (8) Cl.** **09-03**
(52) **U.S. Cl.** **D9/753**
(58) **Field of Classification Search** D9/431,
D9/432, 737, 753, 751, 755, 761; 229/117.14,
229/117.09, 117.12, 904; 206/162, 198,
206/199, 147, 193, 194, 427, 216, 163, 167,
206/169, 175, 541, 549, 446, 200
See application file for complete search history.

Primary Examiner—Stella M. Reid
Assistant Examiner—Mark Goodwin
(74) *Attorney, Agent, or Firm*—Michael J. Striker

(57) **CLAIM**

The ornamental design for a drink and food tray, as shown and described.

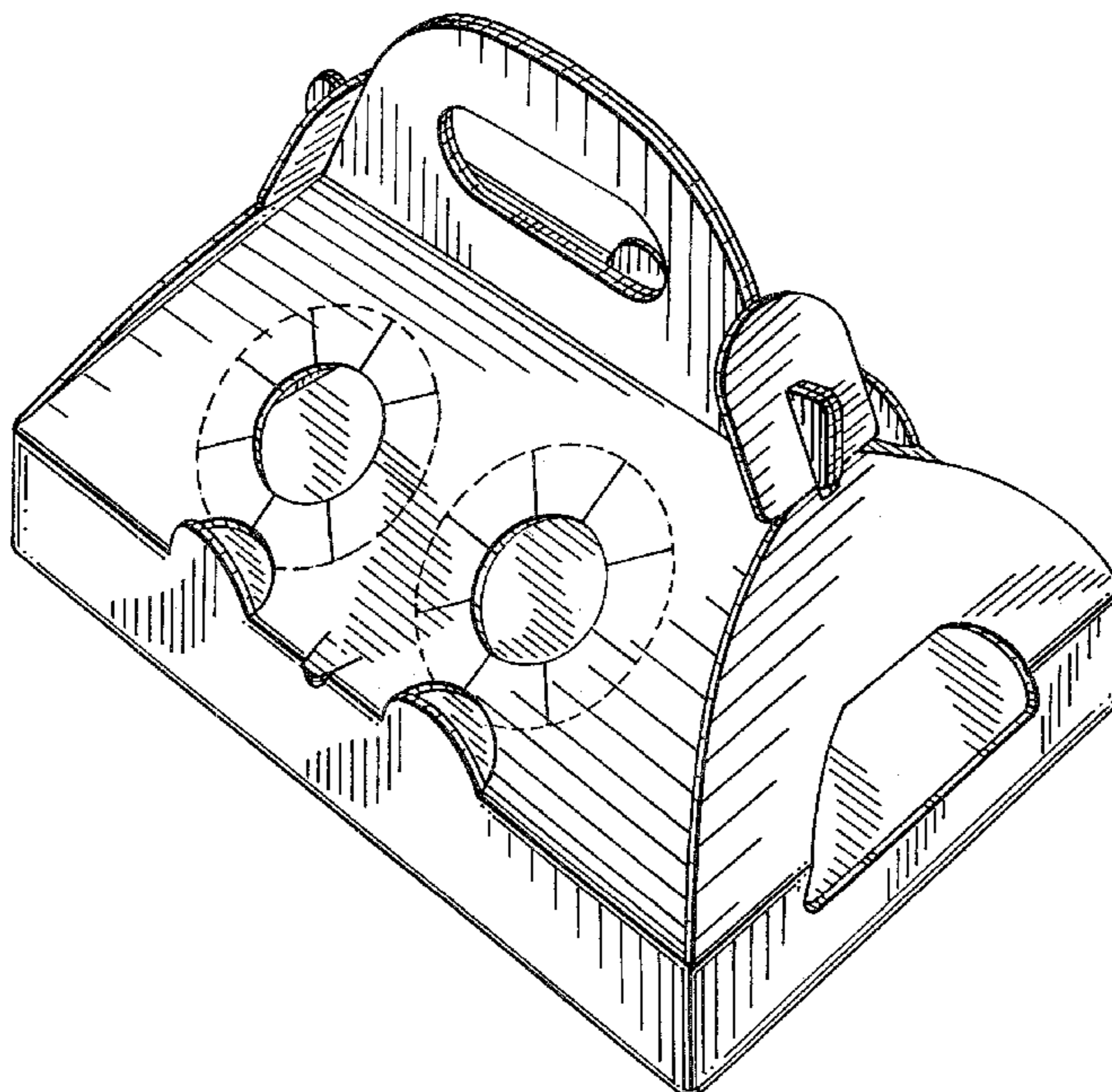
(56) **References Cited**
U.S. PATENT DOCUMENTS

D110,691 S * 8/1938 Dudley D9/753
D114,889 S * 5/1939 Campbell D9/753
2,336,857 A * 12/1943 Gies et al. 206/198
2,828,047 A * 3/1958 Weiselberg 206/189
3,279,648 A * 10/1966 Worthington 206/196
D206,359 S * 11/1966 Wood D9/753
D206,361 S * 11/1966 Dolgins D9/753
3,640,380 A * 2/1972 Huffman 206/549
D364,560 S * 11/1995 Colvin et al. D9/753
D367,409 S * 2/1996 Hunter D7/706
5,524,814 A * 6/1996 Davis 229/117.08
5,538,131 A * 7/1996 Harrelson 206/162
D382,200 S * 8/1997 Brondyke et al. D9/761

DESCRIPTION

FIG. 1 is a front perspective view of a drink and food tray showing my new design;
FIG. 2 is a top view thereof;
FIG. 3 is a side view thereof, the opposite side being a mirror image thereof;
FIG. 4 is a front view thereof, the rear view being a mirror image thereof; and,
FIG. 5 is a bottom view thereof.
The circular broken lines shown in FIGS. 1, 2 and 4 represent fold lines.

1 Claim, 5 Drawing Sheets



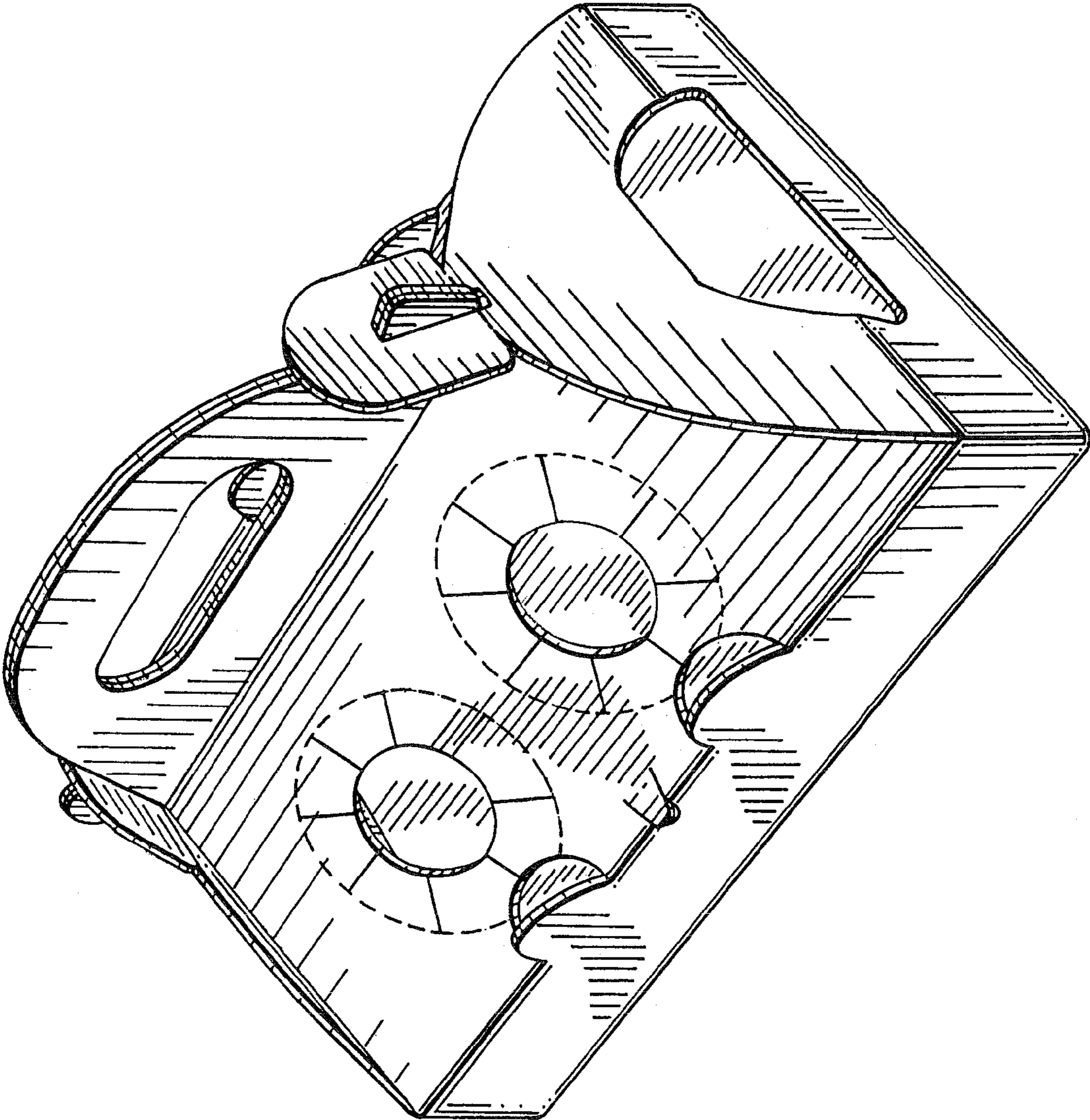


FIG. 1

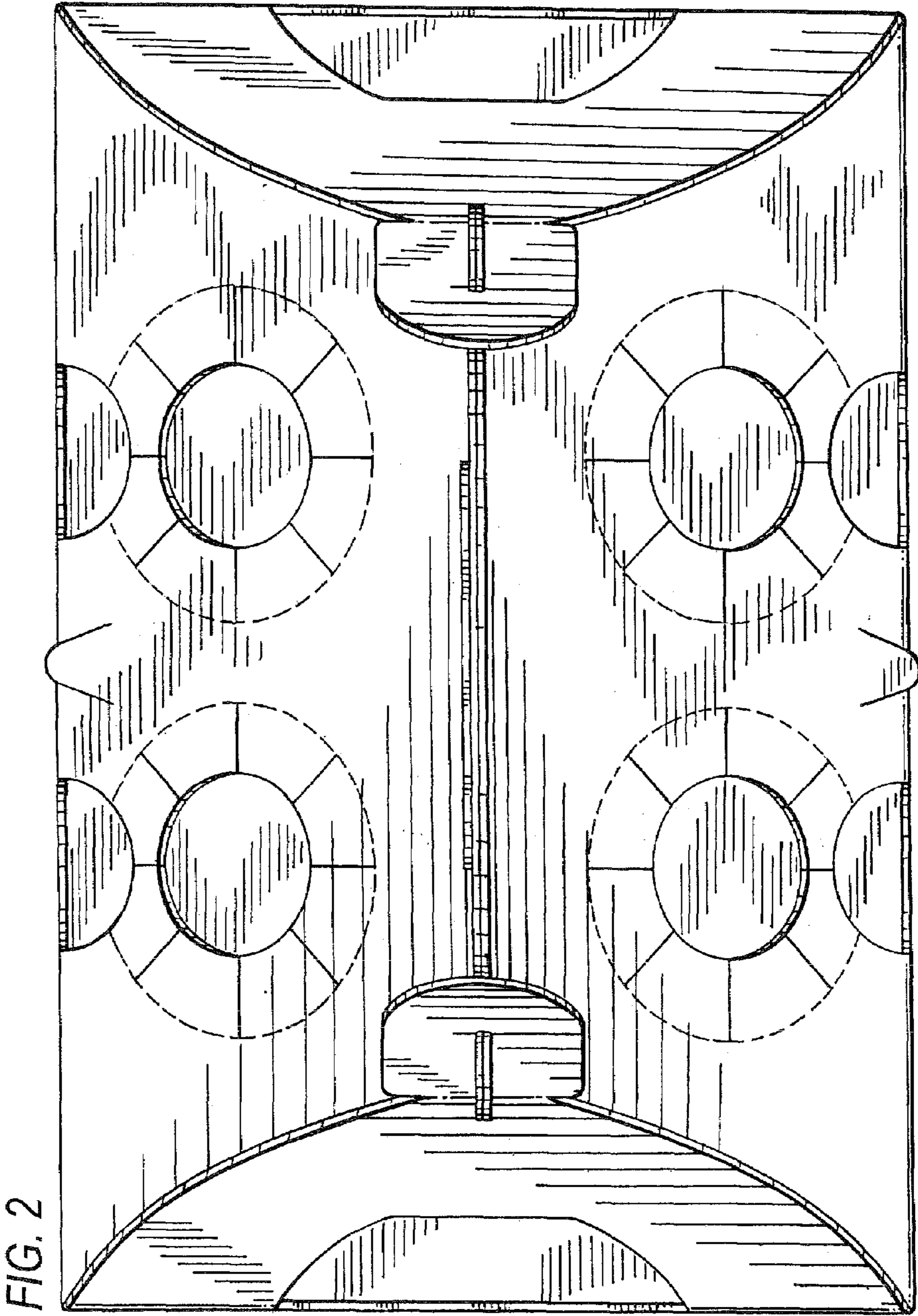


FIG. 2

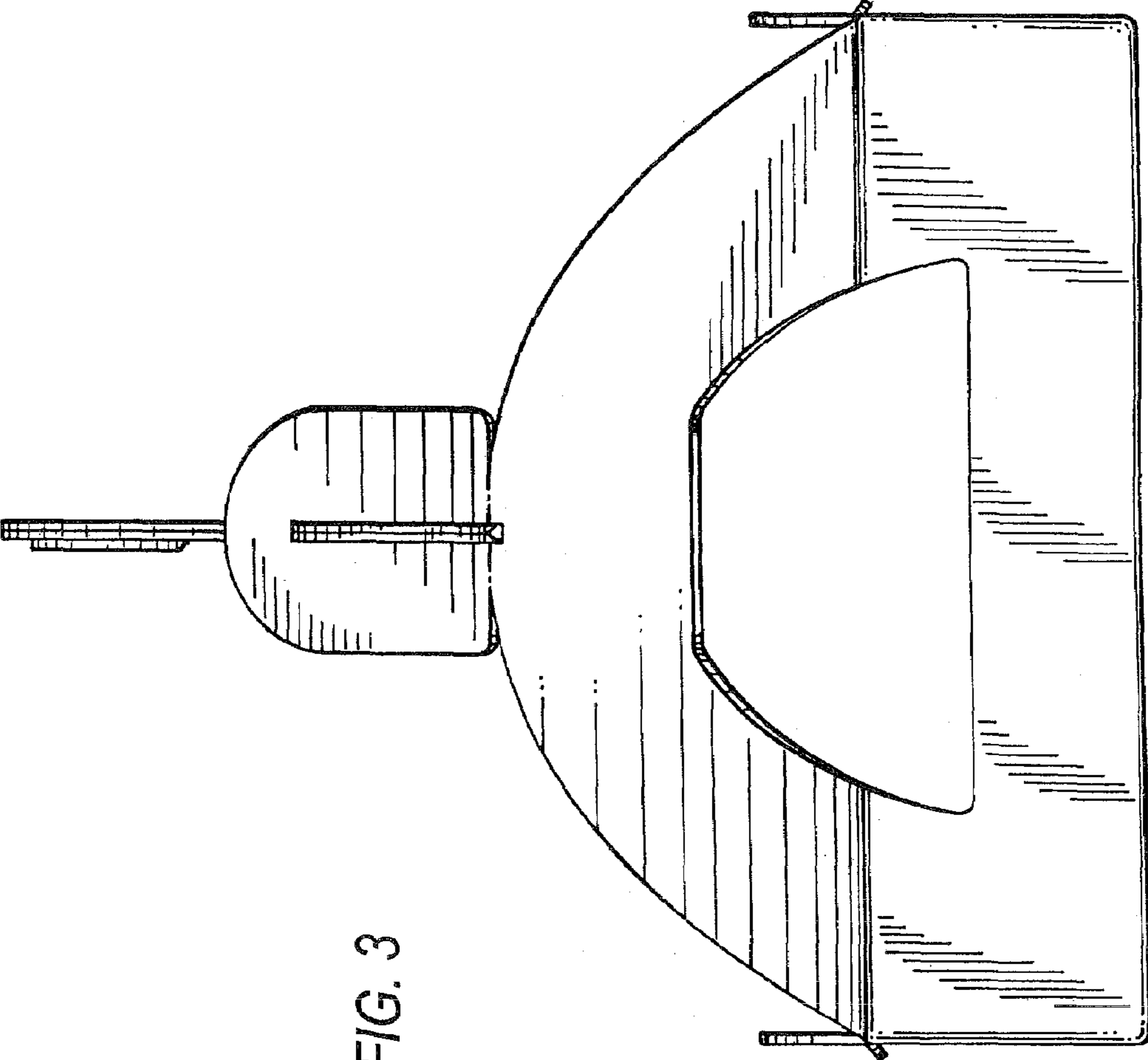


FIG. 3

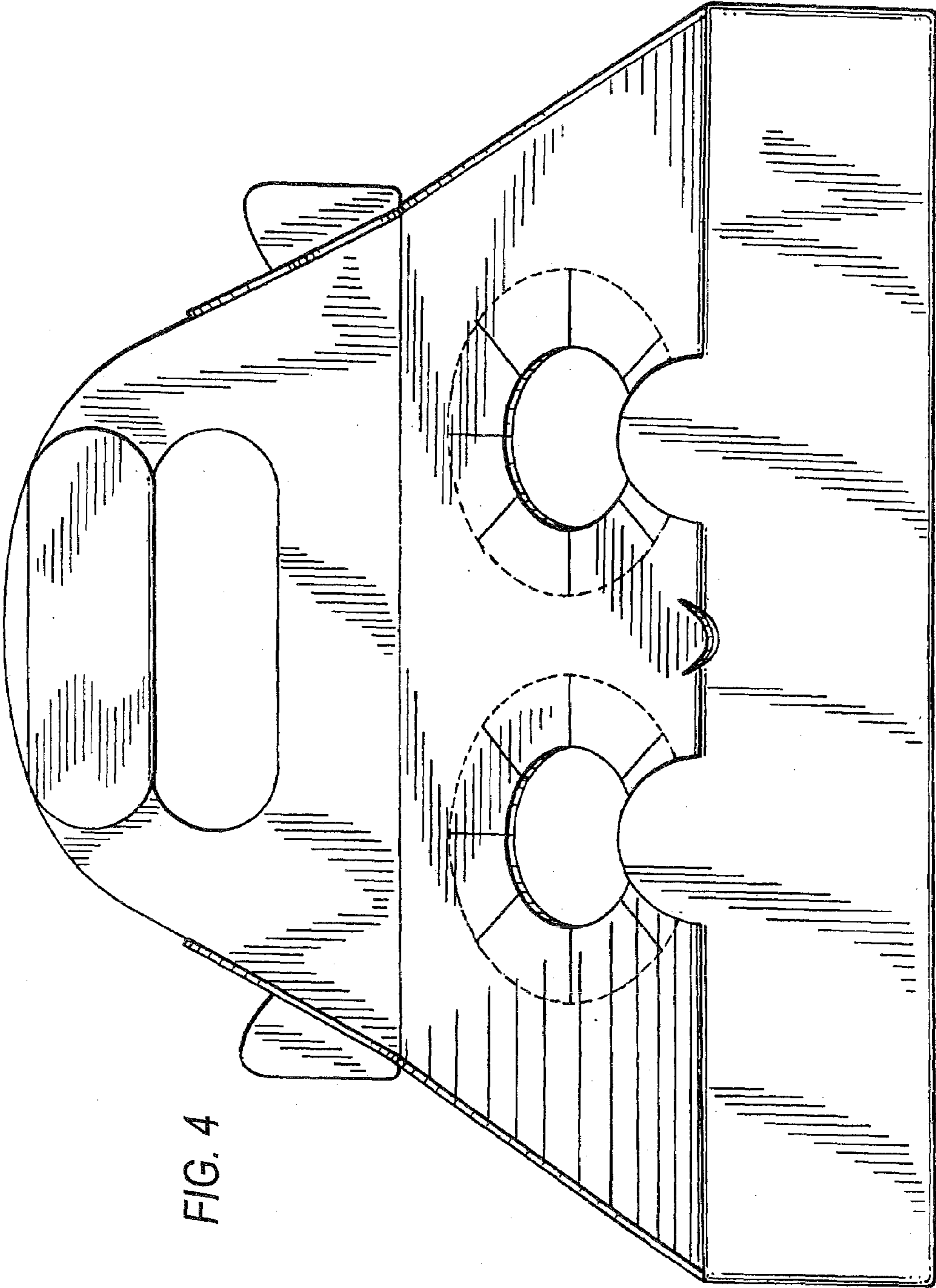


FIG. 4

