



US00D567667S

(12) **United States Design Patent**
Kikuchi

(10) **Patent No.:** **US D567,667 S**

(45) **Date of Patent:** **** Apr. 29, 2008**

(54) **PERFUME BOTTLE**

(75) Inventor: **Taisuke Kikuchi**, Tokyo (JP)

(73) Assignee: **Shiseido Co., Ltd.**, Tokyo (JP)

(**) Term: **14 Years**

(21) Appl. No.: **29/287,389**

(22) Filed: **Jul. 31, 2007**

(51) **LOC (8) Cl.** **09-01**

(52) **U.S. Cl.** **D9/687**

(58) **Field of Classification Search** D9/682-694,
D9/516-575; 215/379, 382; 220/662, 665,
220/669

See application file for complete search history.

(56) **References Cited**

U.S. PATENT DOCUMENTS

D241,013 S *	8/1976	Dekker	D9/529
D343,123 S *	1/1994	de Morques	D9/529
D453,106 S *	1/2002	Peltrault	D9/687
D511,688 S *	11/2005	Baron	D9/560
D531,043 S *	10/2006	Houtart et al.	D9/560
D536,259 S *	2/2007	Herrmann	D9/573
D540,688 S *	4/2007	Lascaux	D9/560
D549,589 S *	8/2007	Lavigne	D9/573
D555,505 S *	11/2007	Brandt	D9/688

FOREIGN PATENT DOCUMENTS

EP 000064225-0001 * 8/2003

EP 000576111-0001 * 8/2006

WO DM/063943 * 7/2003

WO DM/066638 * 5/2005

* cited by examiner

Primary Examiner—Catherine Tuttle

(74) *Attorney, Agent, or Firm*—Manabu Kanesaka

(57) **CLAIM**

The ornamental design for a perfume bottle, as shown and described.

DESCRIPTION

FIG. 1 is a perspective view of a perfume bottle showing my new design;

FIG. 2 is a front view thereof;

FIG. 3 is a rear view thereof;

FIG. 4 is a plan view thereof;

FIG. 5 is a bottom view thereof;

FIG. 6 is a right side view thereof, a left side view being symmetrical to the right side view; and,

FIG. 7 is a perspective view showing the design in an opened condition.

1 Claim, 7 Drawing Sheets

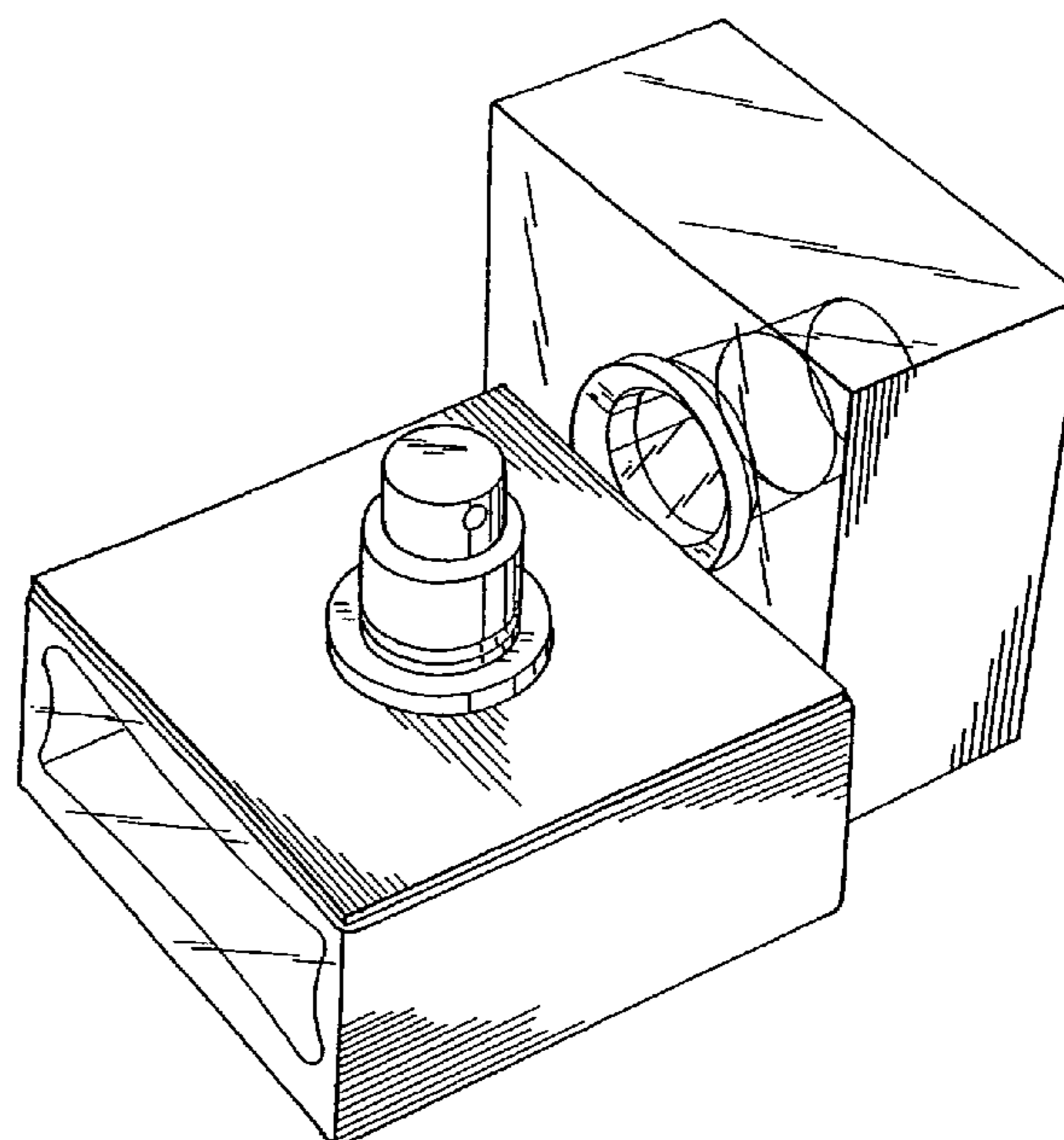
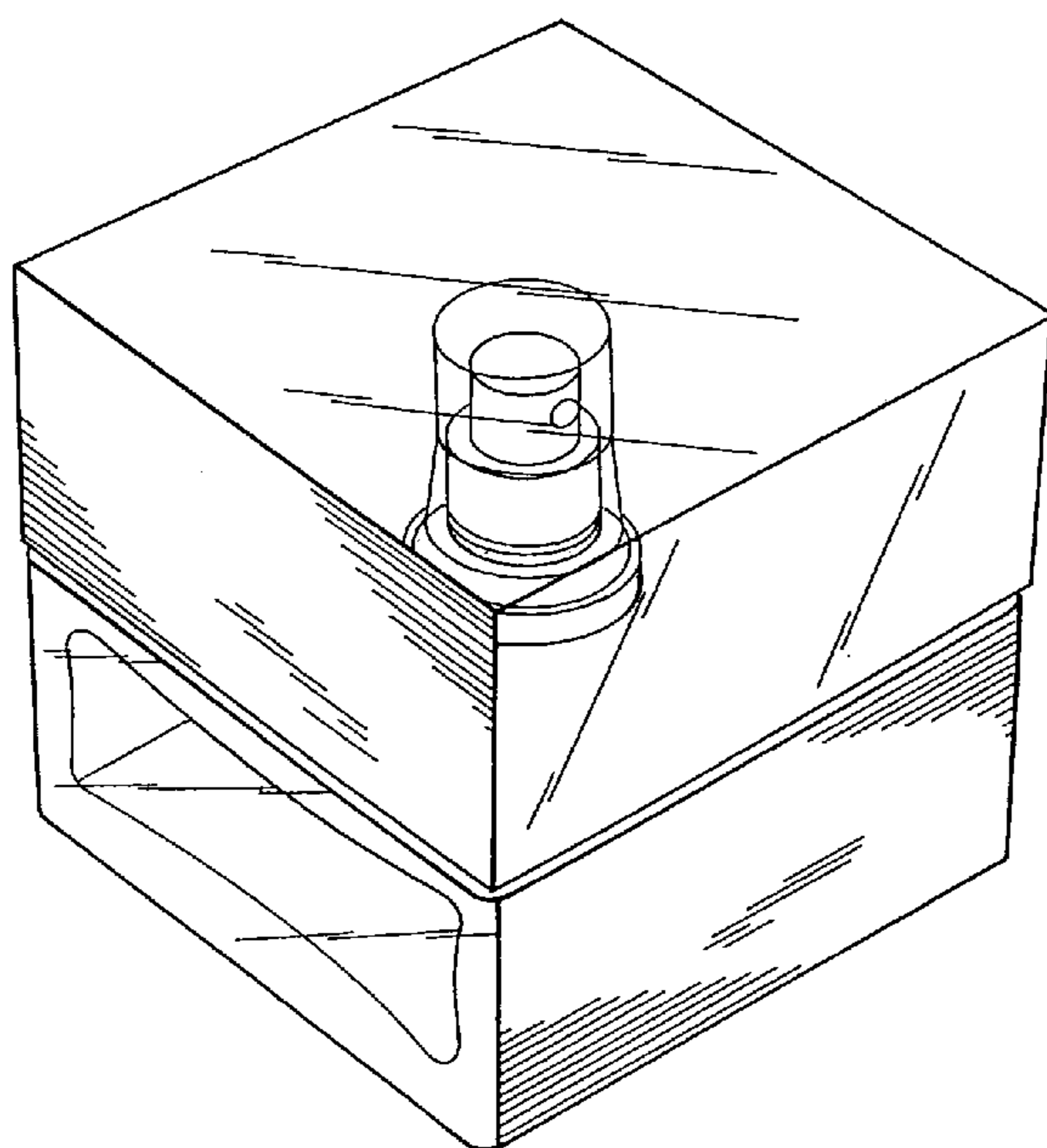


Fig. 1

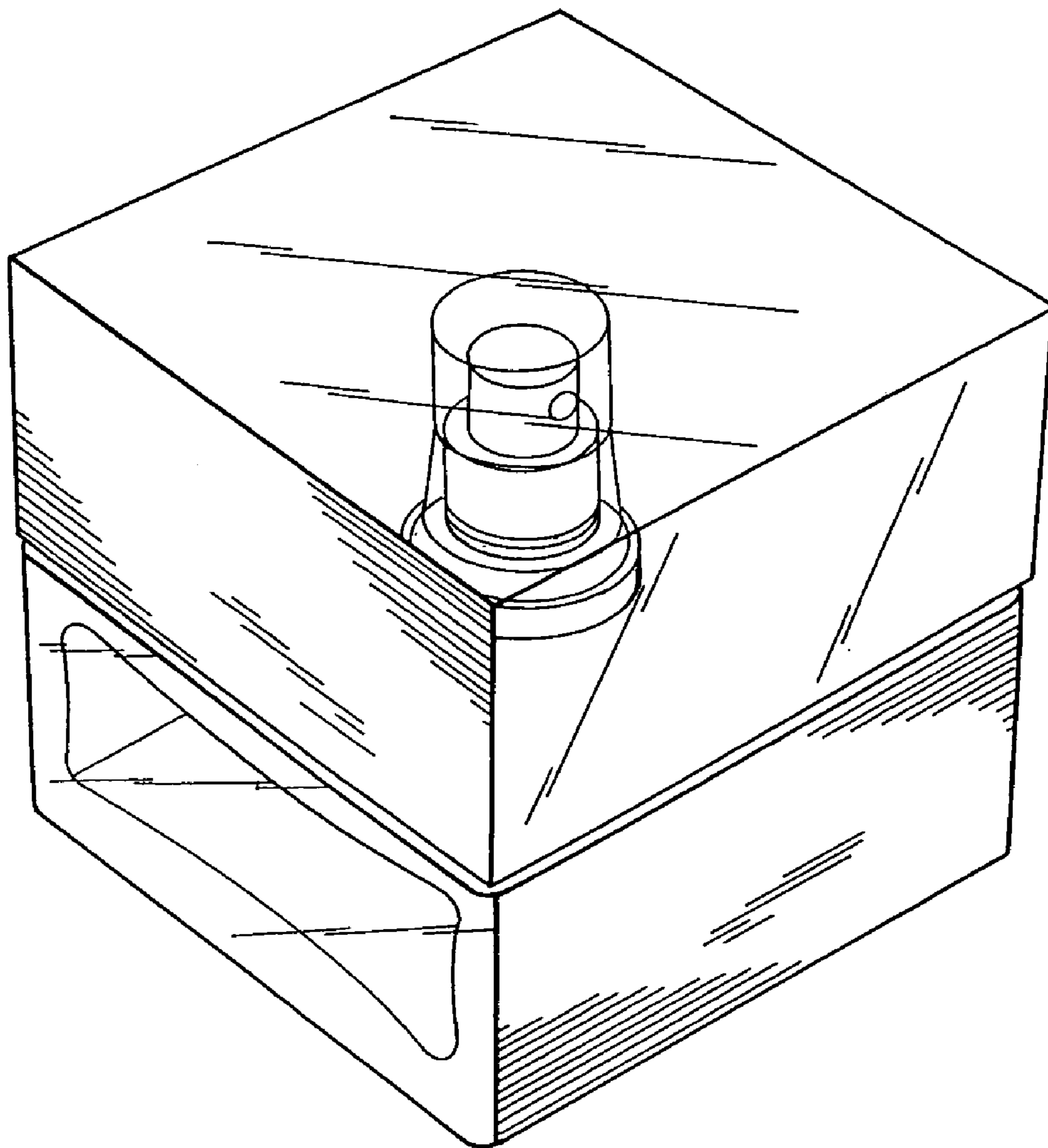


Fig. 2

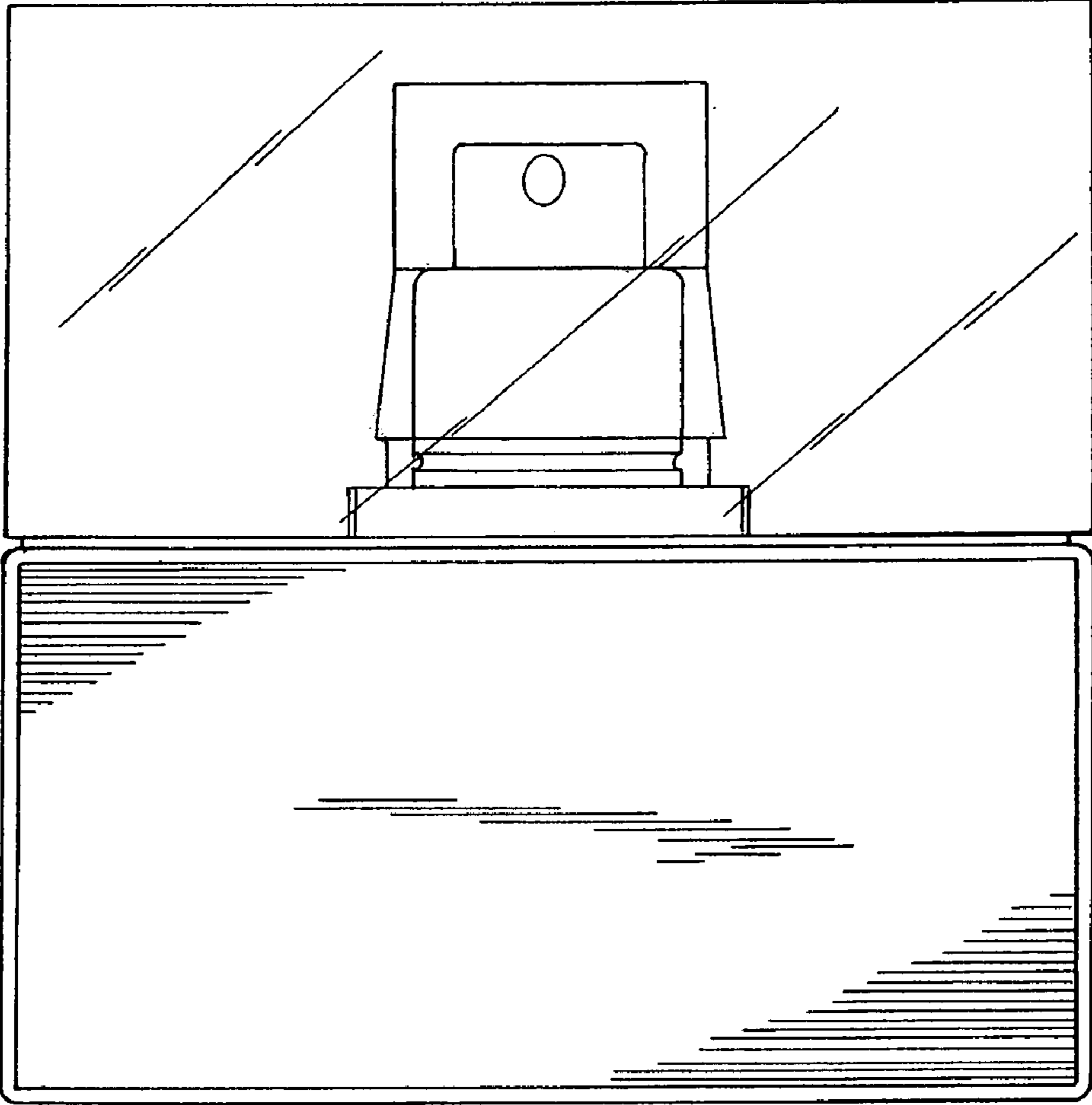


Fig. 3

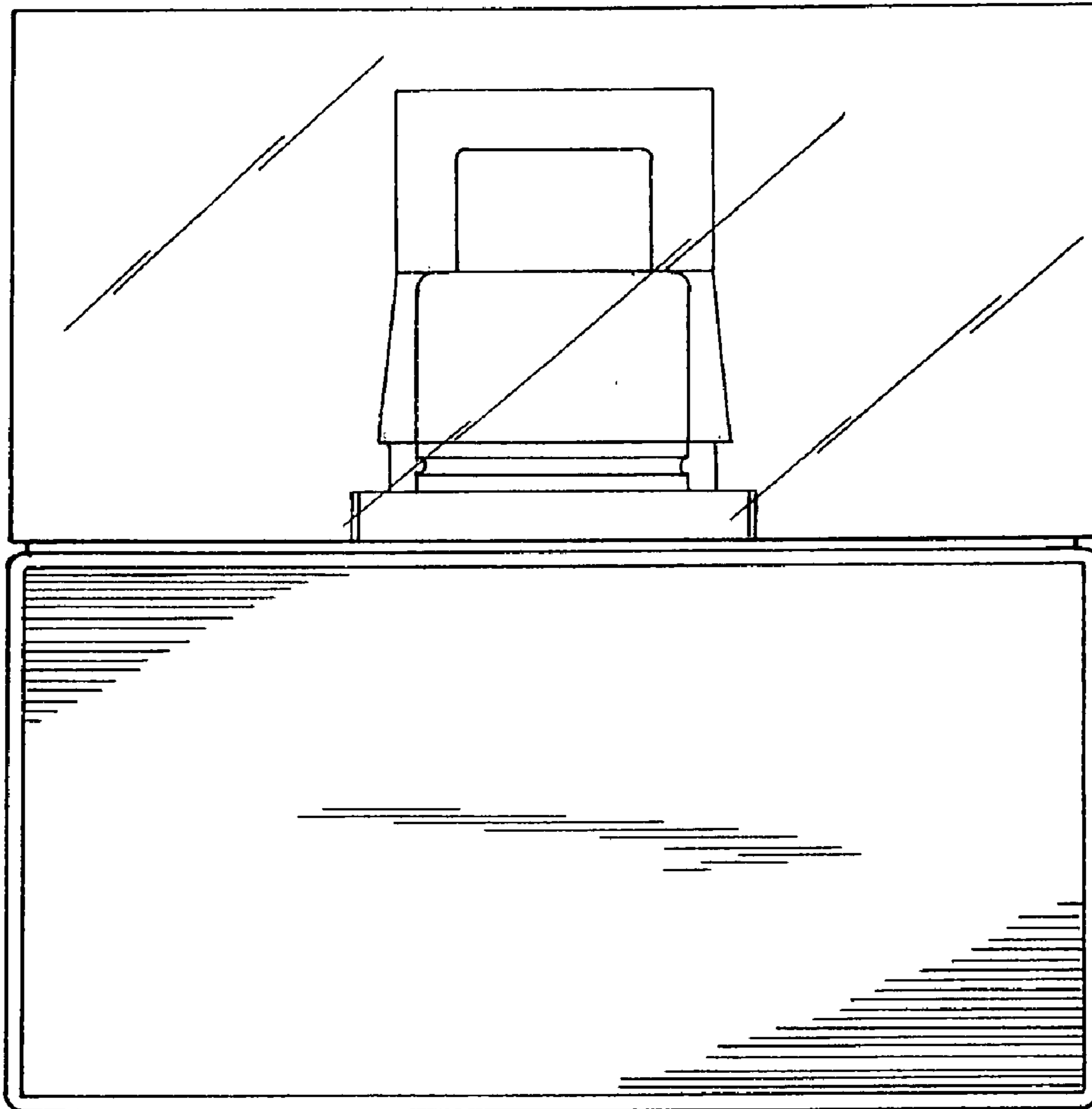


Fig. 4

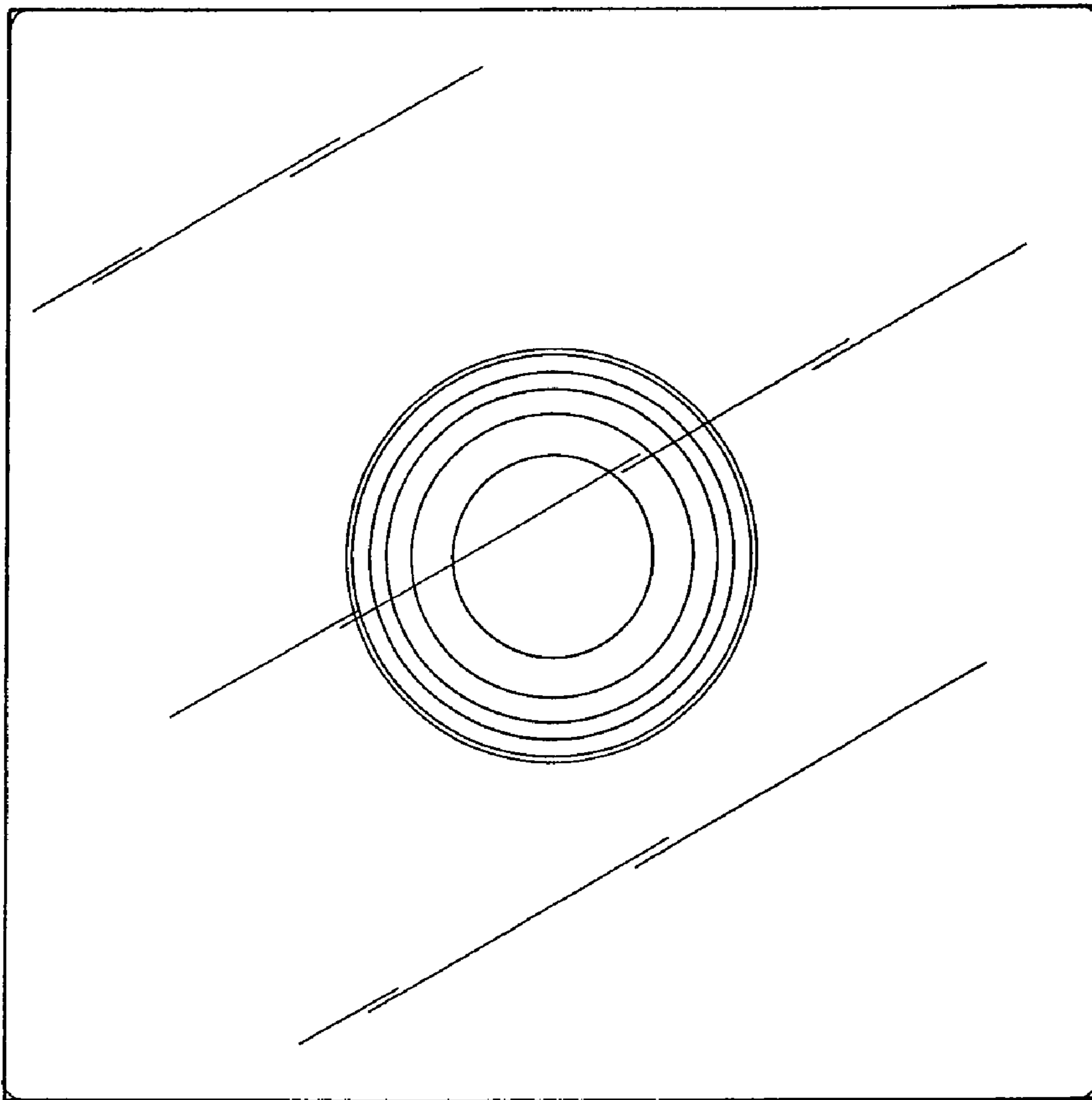


Fig. 5

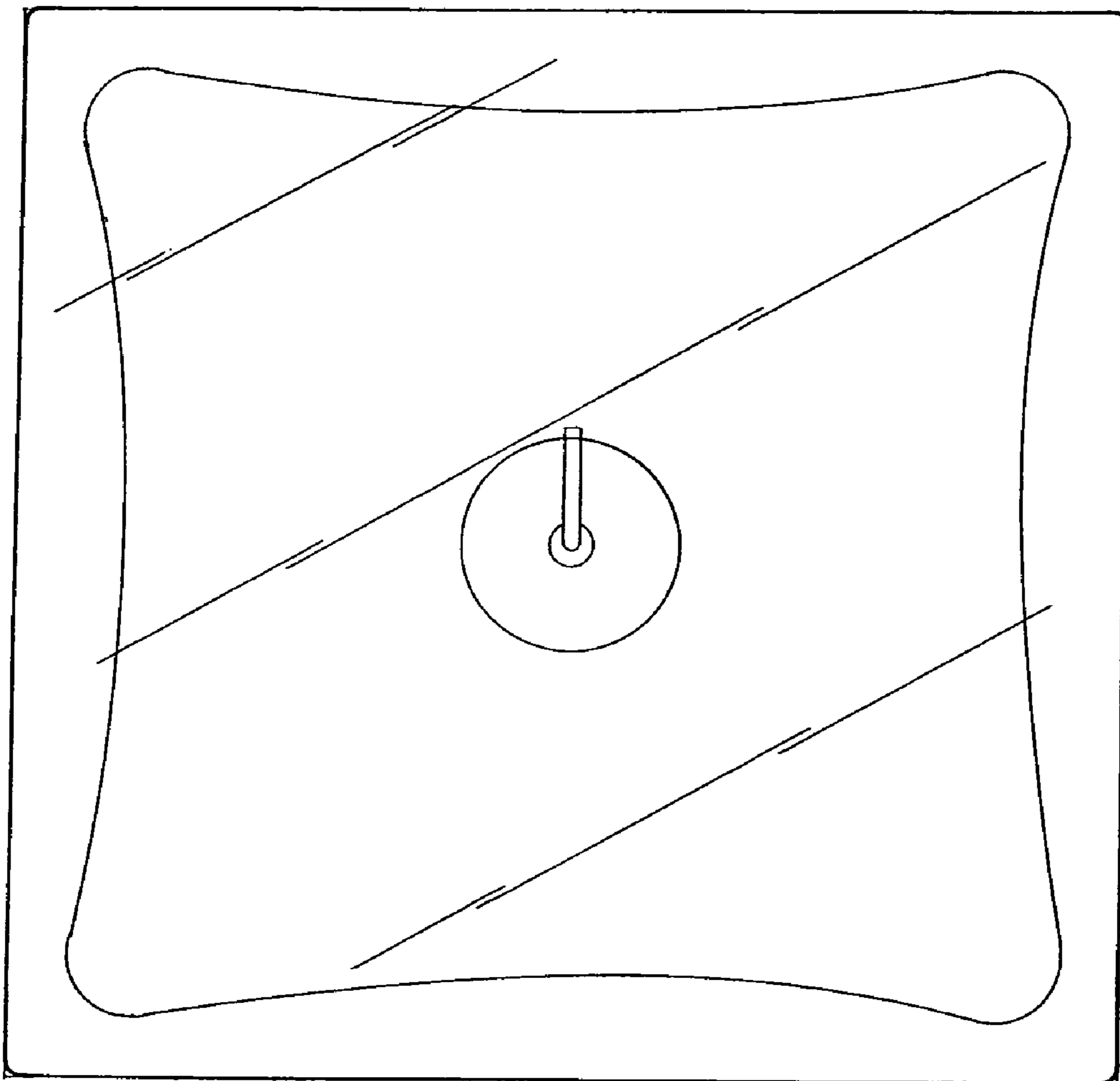


Fig. 6

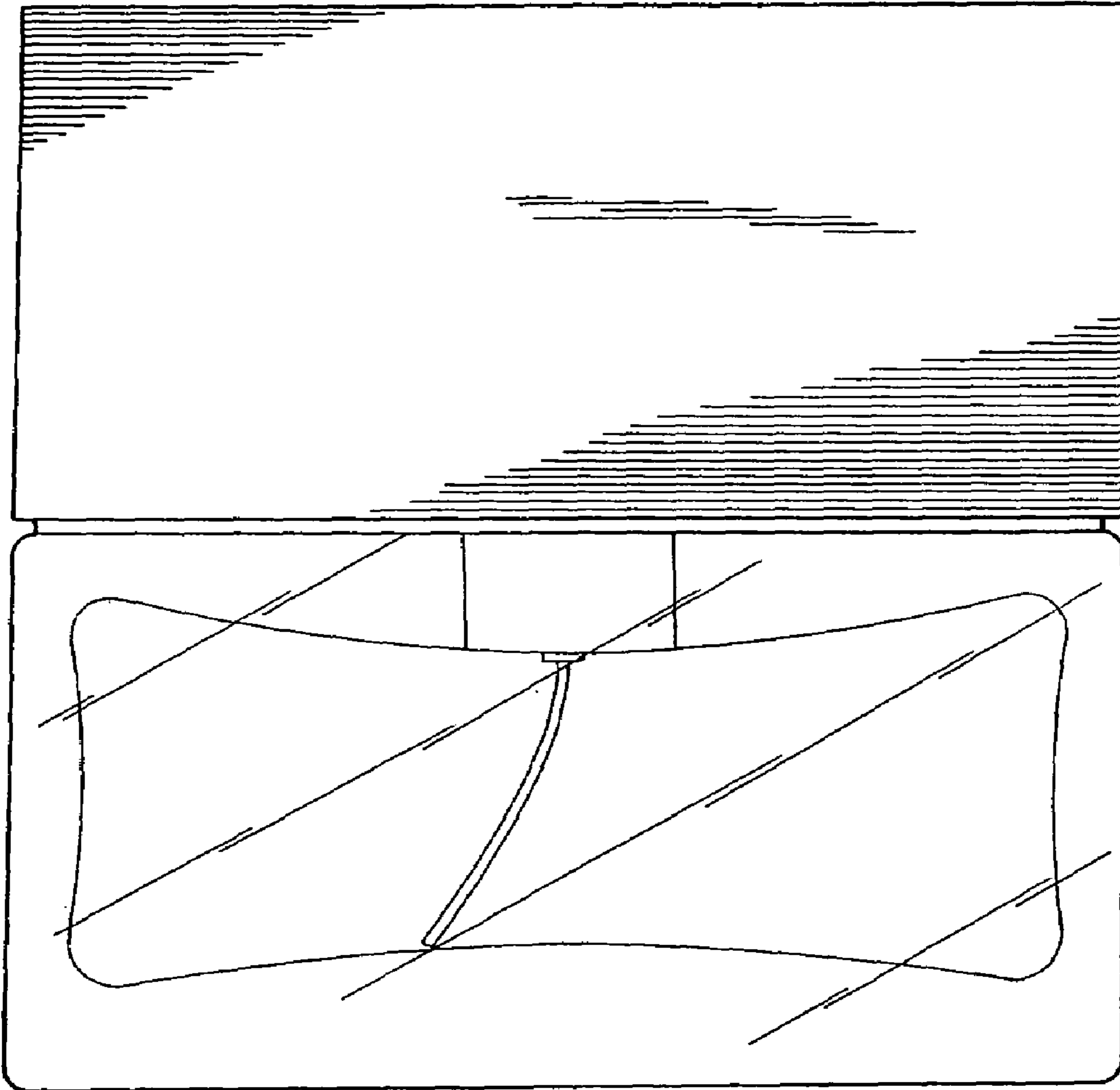


Fig. 7

