



US00D567664S

(12) **United States Design Patent**  
**Rica**

(10) **Patent No.:** **US D567,664 S**

(45) **Date of Patent:** **\*\* Apr. 29, 2008**

(54) **FLASK**

(75) Inventor: **Didier Rica**, Le Mont Saint Adrien  
(FR)

(73) Assignee: **Saverglass Inc.**, Napa, CA (US)

(\*\*) Term: **14 Years**

(21) Appl. No.: **29/267,578**

(22) Filed: **Oct. 18, 2006**

(51) **LOC (8) Cl.** ..... **09-01**

(52) **U.S. Cl.** ..... **D9/560; D9/544**

(58) **Field of Classification Search** ..... D9/516,  
D9/522, 544, 545, 546, 549, 559, 560, 561,  
D9/572, 573, 574, 575; 215/381, 382, 383,  
215/384, 385, 396, 398; D19/79, 93  
See application file for complete search history.

(56) **References Cited**

**U.S. PATENT DOCUMENTS**

- D15,213 S \* 8/1884 Miller ..... D9/544
- D92,425 S \* 6/1934 Picker ..... D9/566
- D227,750 S \* 7/1973 Goldshall ..... D9/520
- D243,705 S \* 3/1977 Lyman ..... D24/224
- D294,804 S \* 3/1988 Lunderman et al. .... D9/529

- D356,038 S \* 3/1995 Biesecker ..... D9/558
- D393,398 S \* 4/1998 Trevino, Sr. .... D7/594
- D412,851 S \* 8/1999 Nosella ..... D9/544
- D428,578 S \* 7/2000 Waitzenegger ..... D9/544
- D454,502 S \* 3/2002 Legros ..... D9/544
- D466,410 S \* 12/2002 De Baschmakoff ..... D9/516
- D480,001 S \* 9/2003 Bakic ..... D9/522
- D545,686 S \* 7/2007 De Baschmakoff ..... D9/573

\* cited by examiner

*Primary Examiner*—Stella M. Reid

*Assistant Examiner*—Elizabeth J Oswecki

(74) *Attorney, Agent, or Firm*—Young & Thompson

(57) **CLAIM**

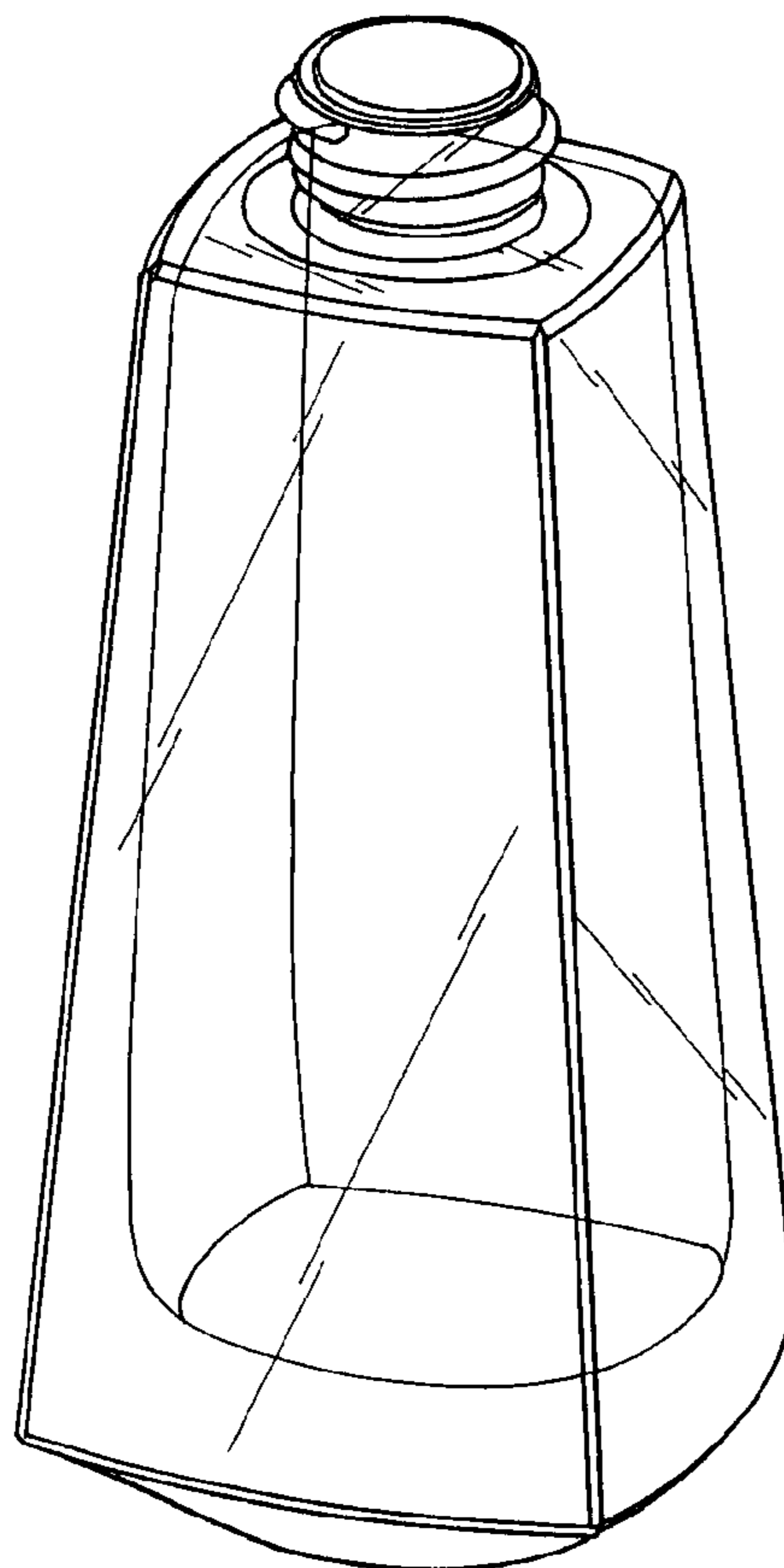
The ornamental design for a flask, as shown and described.

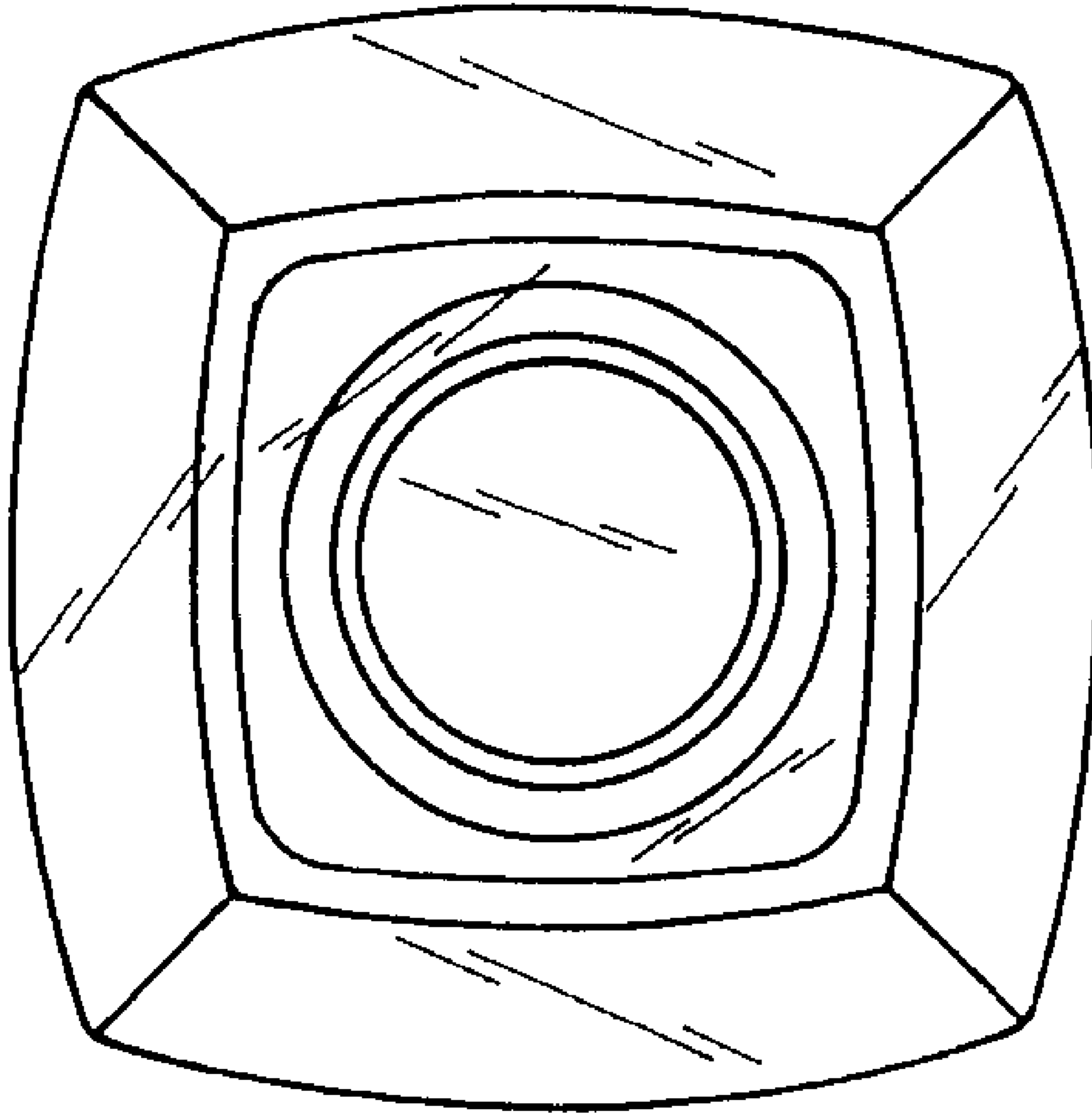
**DESCRIPTION**

FIG. 1 is a top plan view of a flask showing my new design;  
FIG. 2 is a front, rear, and lateral elevational view thereof;  
FIG. 3 is a perspective view thereof; and,  
FIG. 4 is a bottom plan view thereof.

The broken line showing is included for the purpose of environment only and forms no part of the claimed design.

**1 Claim, 4 Drawing Sheets**





**FIG. 1**

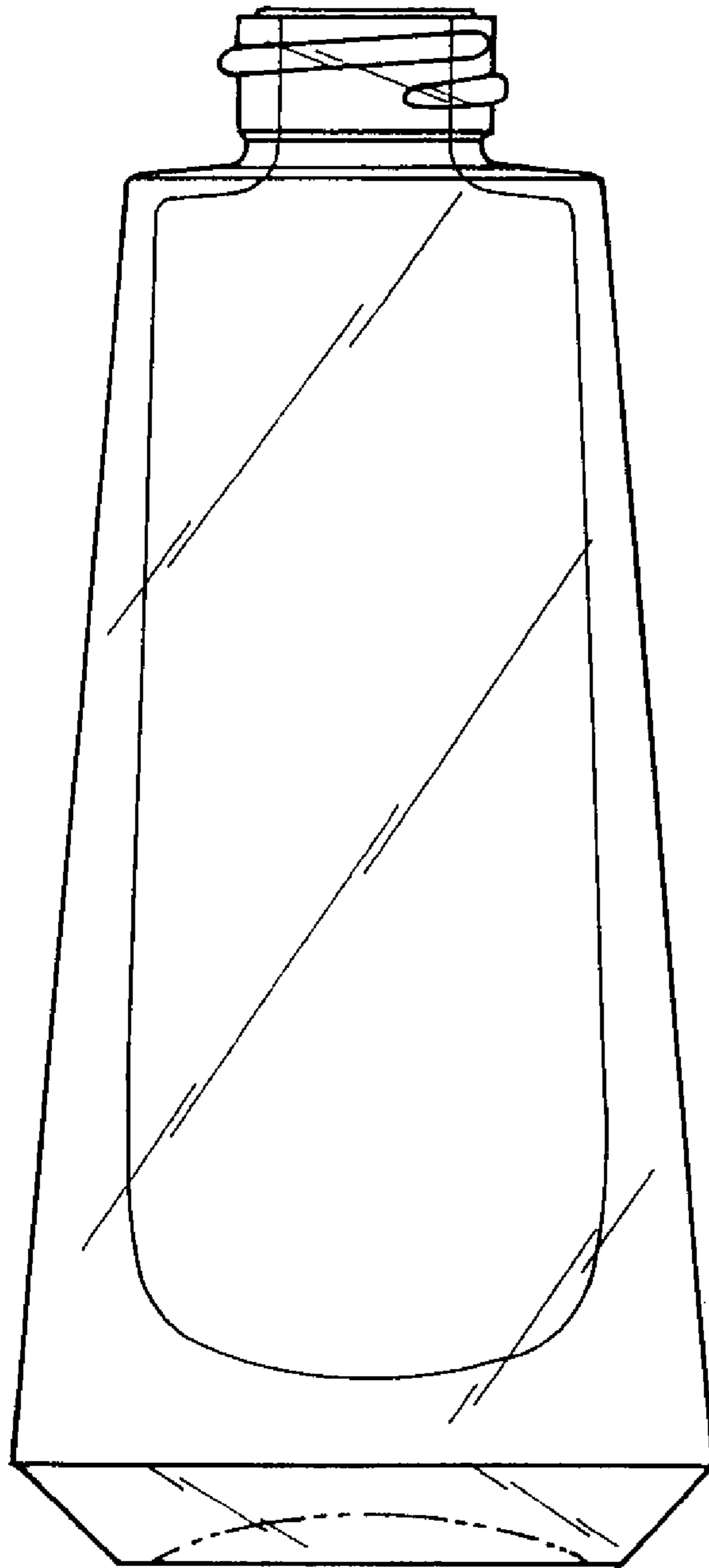


FIG. 2

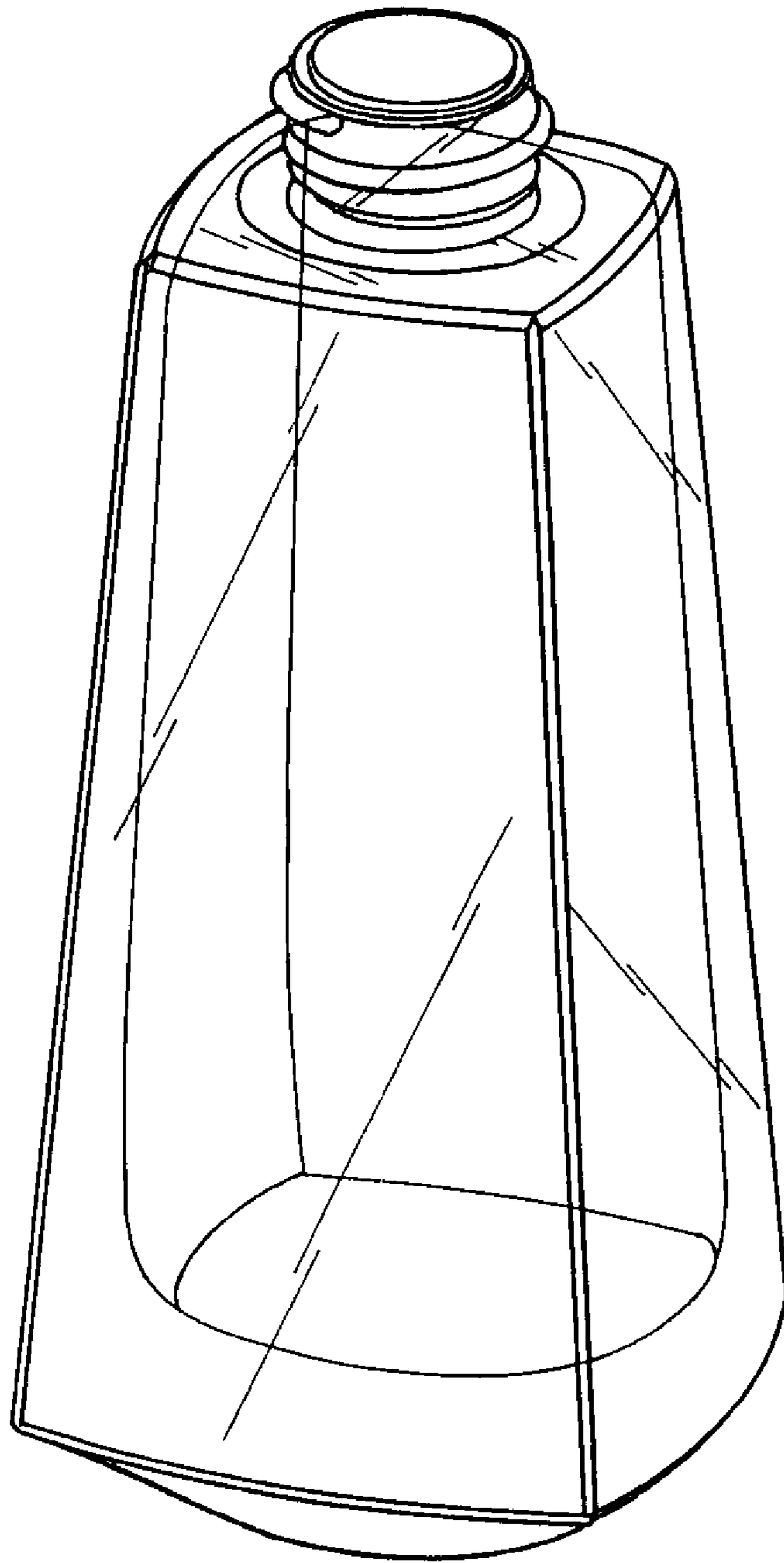


FIG. 3

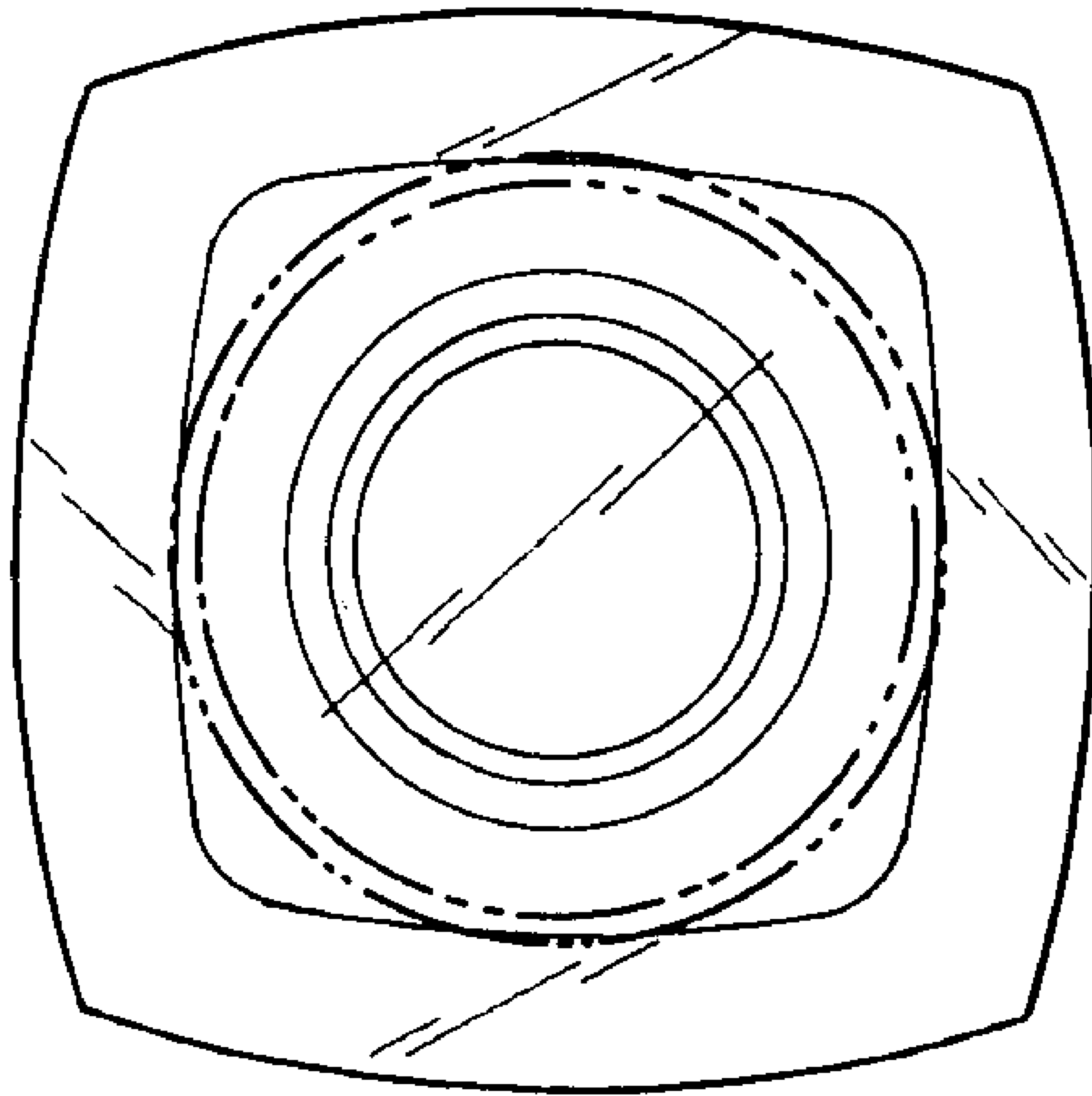


FIG. 4