



US00D567657S

(12) **United States Design Patent**  
**Hall et al.**

(10) **Patent No.:** **US D567,657 S**

(45) **Date of Patent:** **\*\* Apr. 29, 2008**

(54) **REVERSE CURLED CAN END**

D535,877 S \* 1/2007 Tanninen et al. .... D9/438  
D536,252 S \* 2/2007 Richards ..... D9/454

(75) Inventors: **Jason John Hall**, Sandford-on-Thames  
(GB); **David Steven Hall**, Didcot (GB)

\* cited by examiner

(73) Assignee: **Crown Packaging Technology, Inc.**,  
Alsip, IL (US)

*Primary Examiner*—Gary D. Watson

*Assistant Examiner*—Susan Bennett Hattan

(74) *Attorney, Agent, or Firm*—Woodcock Washburn LLP

(\*\*) Term: **14 Years**

(57) **CLAIM**

(21) Appl. No.: **29/250,268**

An ornamental design for a reverse curled can end, as shown  
and described.

(22) Filed: **Nov. 8, 2006**

(30) **Foreign Application Priority Data**

**DESCRIPTION**

May 12, 2006 (EM) ..... 000528138

FIG. 1 is an enlarged, top perspective view a portion of a  
reverse curled can end, with a portion thereof removed to  
show its cross sectional shape;

(51) **LOC (8) Cl.** ..... **09-07**

(52) **U.S. Cl.** ..... **D9/454; D9/438**

FIG. 2 is an enlarged side view of a portion of the reverse  
curled can end of FIG. 1;

(58) **Field of Classification Search** ..... D9/780,  
D9/763, 539, 516, 454, 453, 449, 447, 440,  
D9/439, 438, 436, 435; D34/39; 222/570,  
222/569, 547, 464.1, 185.1; 220/257.1; 215/341;  
137/845, 844

FIG. 3 is a side view of the reverse curled can end;

FIG. 4 is a top view of the reverse curled can end shown in  
FIG. 3;

See application file for complete search history.

FIG. 5 is a bottom view of the reverse curled can end shown  
in FIG. 3;

(56) **References Cited**

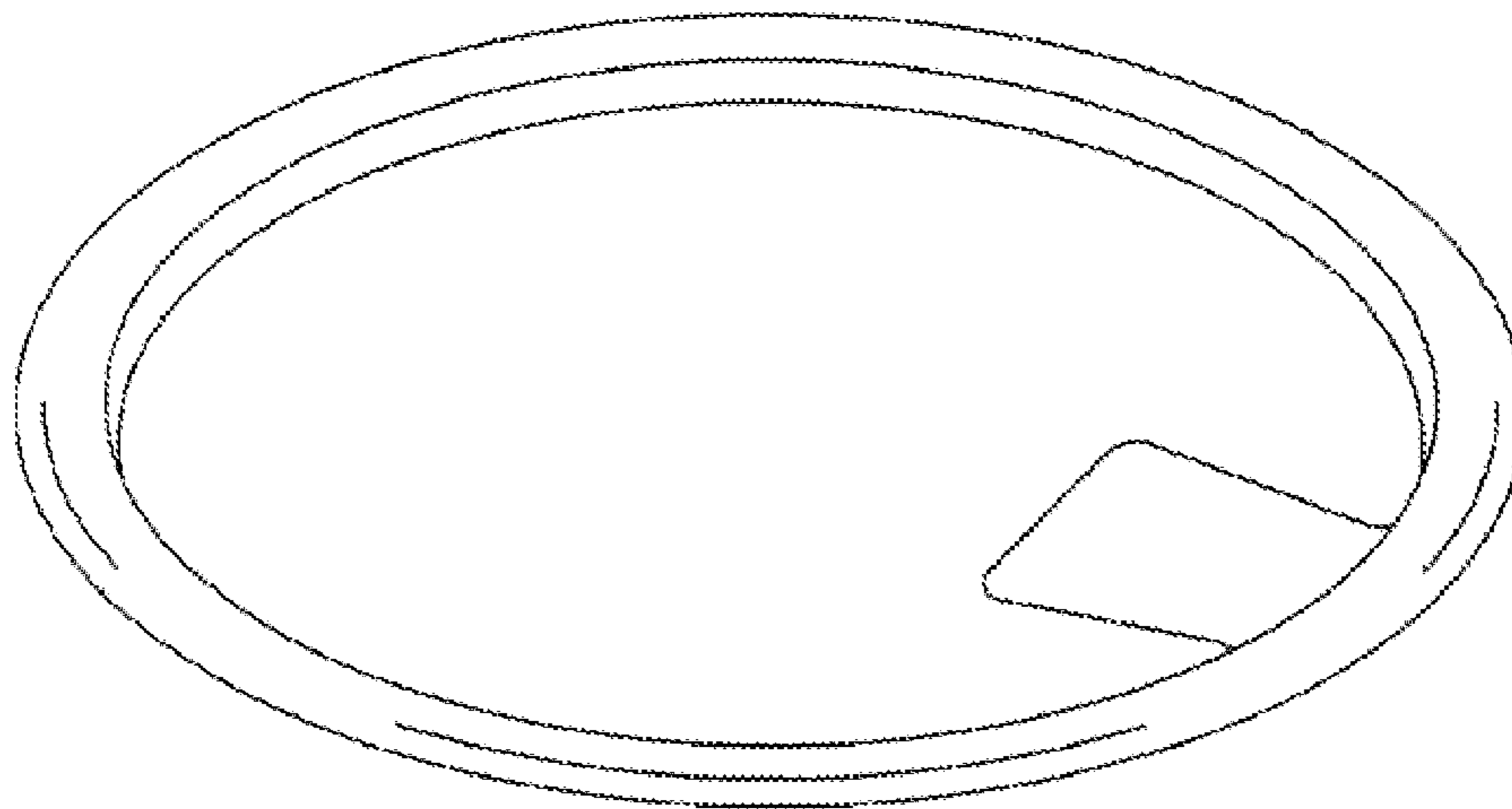
**U.S. PATENT DOCUMENTS**

D295,383 S \* 4/1988 Anderson et al. .... D9/438  
D452,155 S \* 12/2001 Stodd ..... D9/454  
D471,453 S \* 3/2003 Stodd ..... D9/434  
D480,304 S \* 10/2003 Stodd ..... D9/434

FIG. 6 is a top perspective view of the reverse curled can end  
shown in FIG. 3; and,

FIG. 7 is a bottom perspective view of the reverse curled can  
end shown in FIG. 3.

**1 Claim, 3 Drawing Sheets**



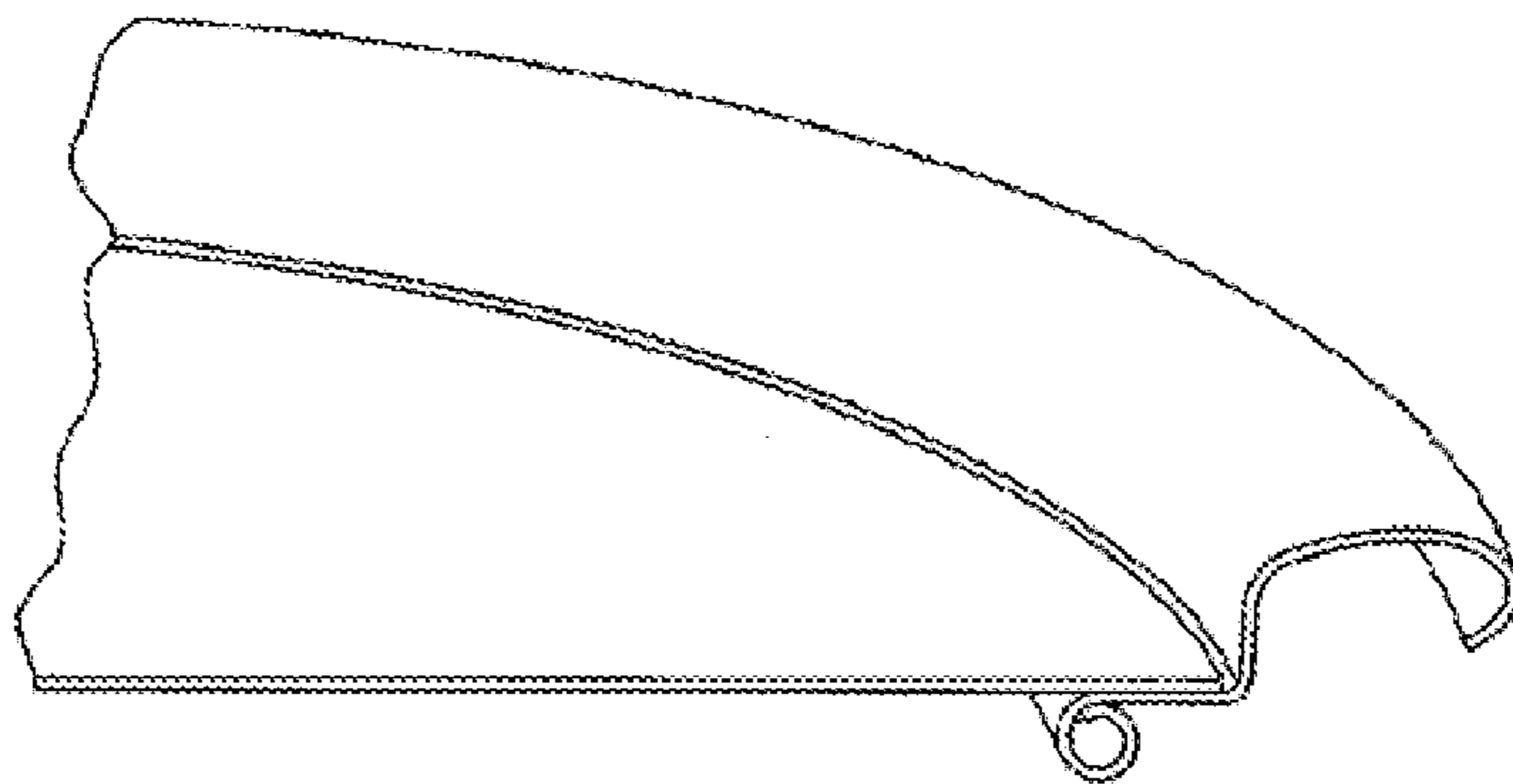


Fig. 1

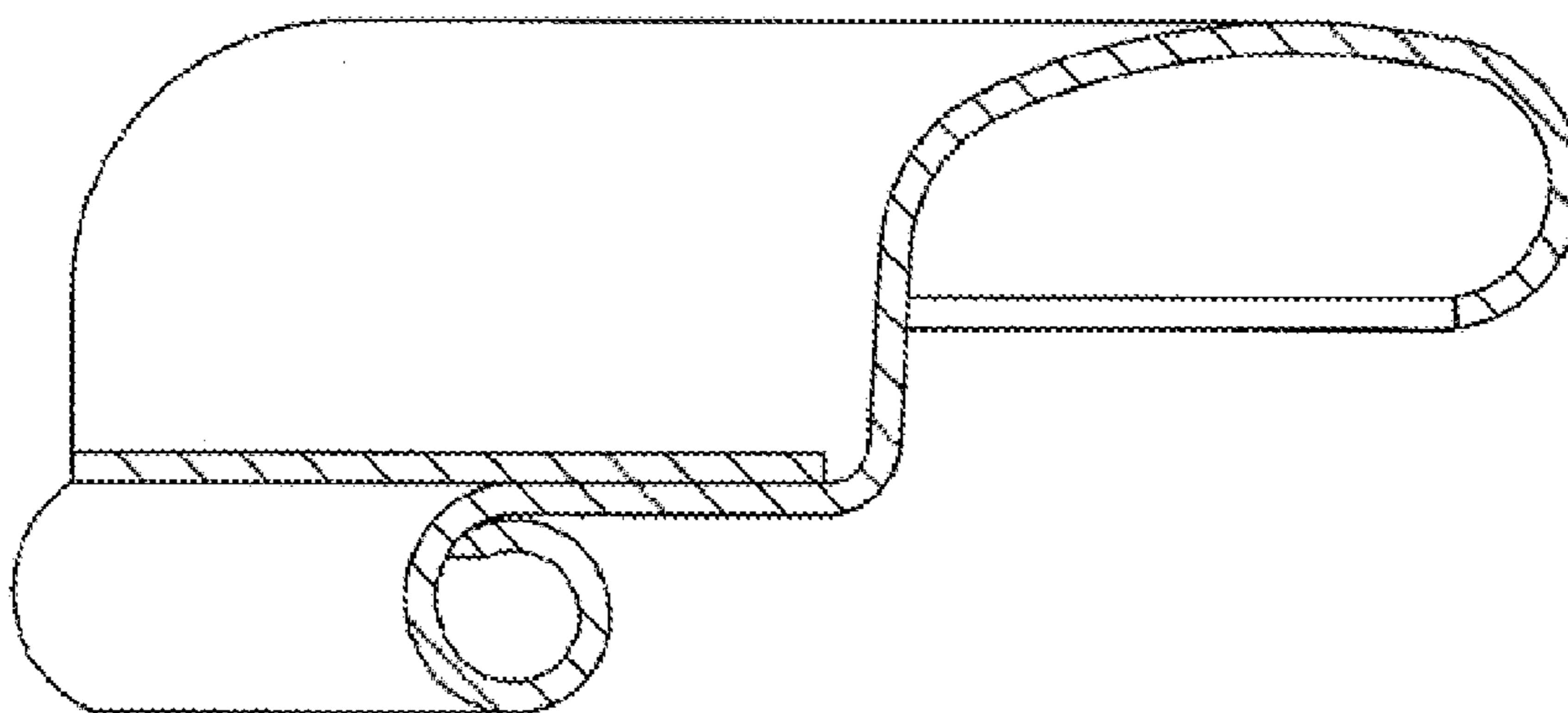


Fig. 2

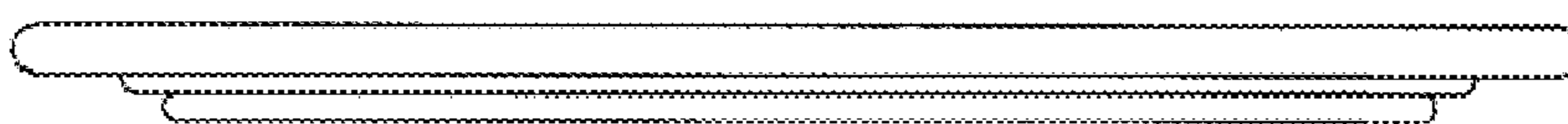


Fig. 3

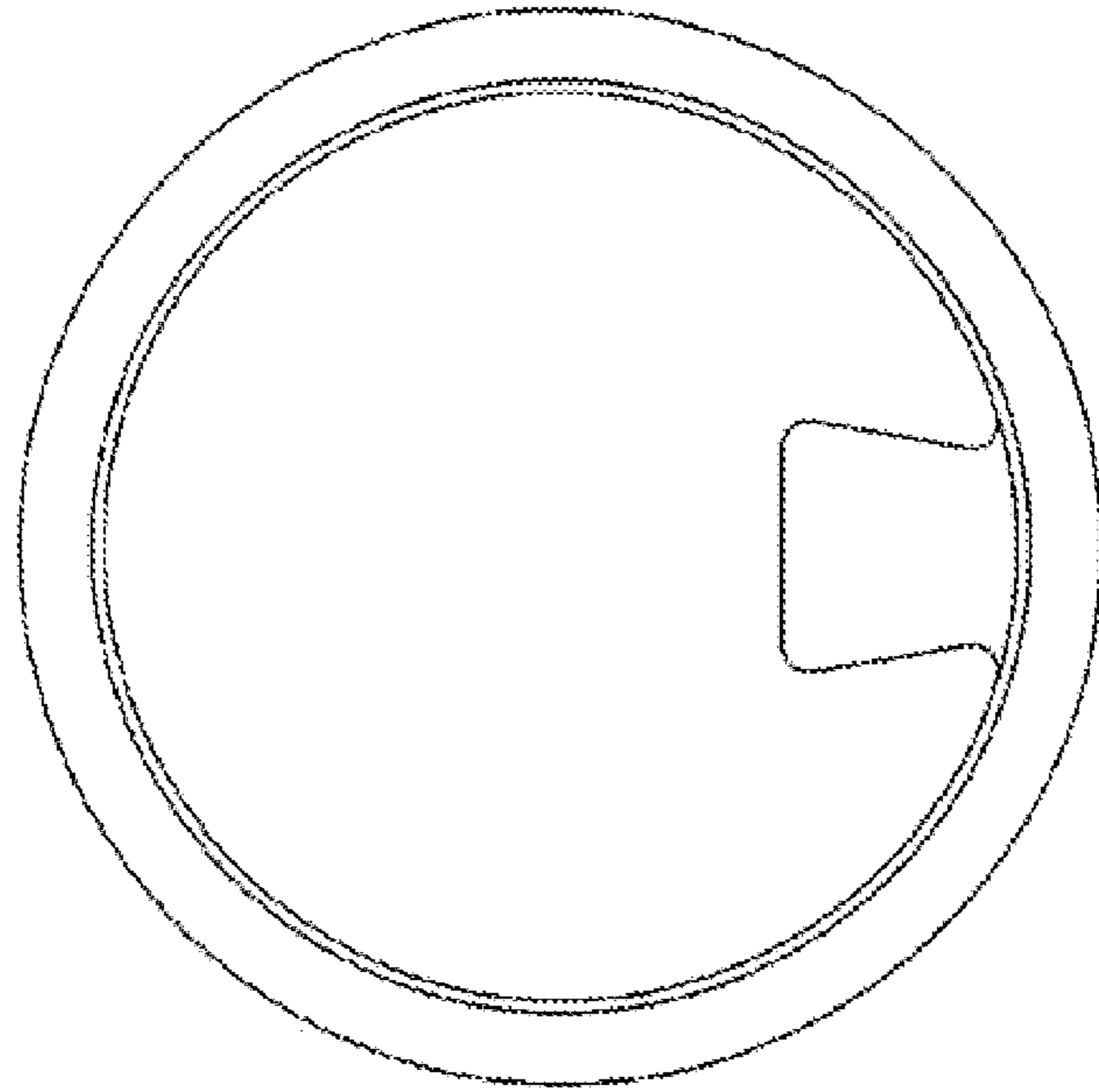


Fig. 4

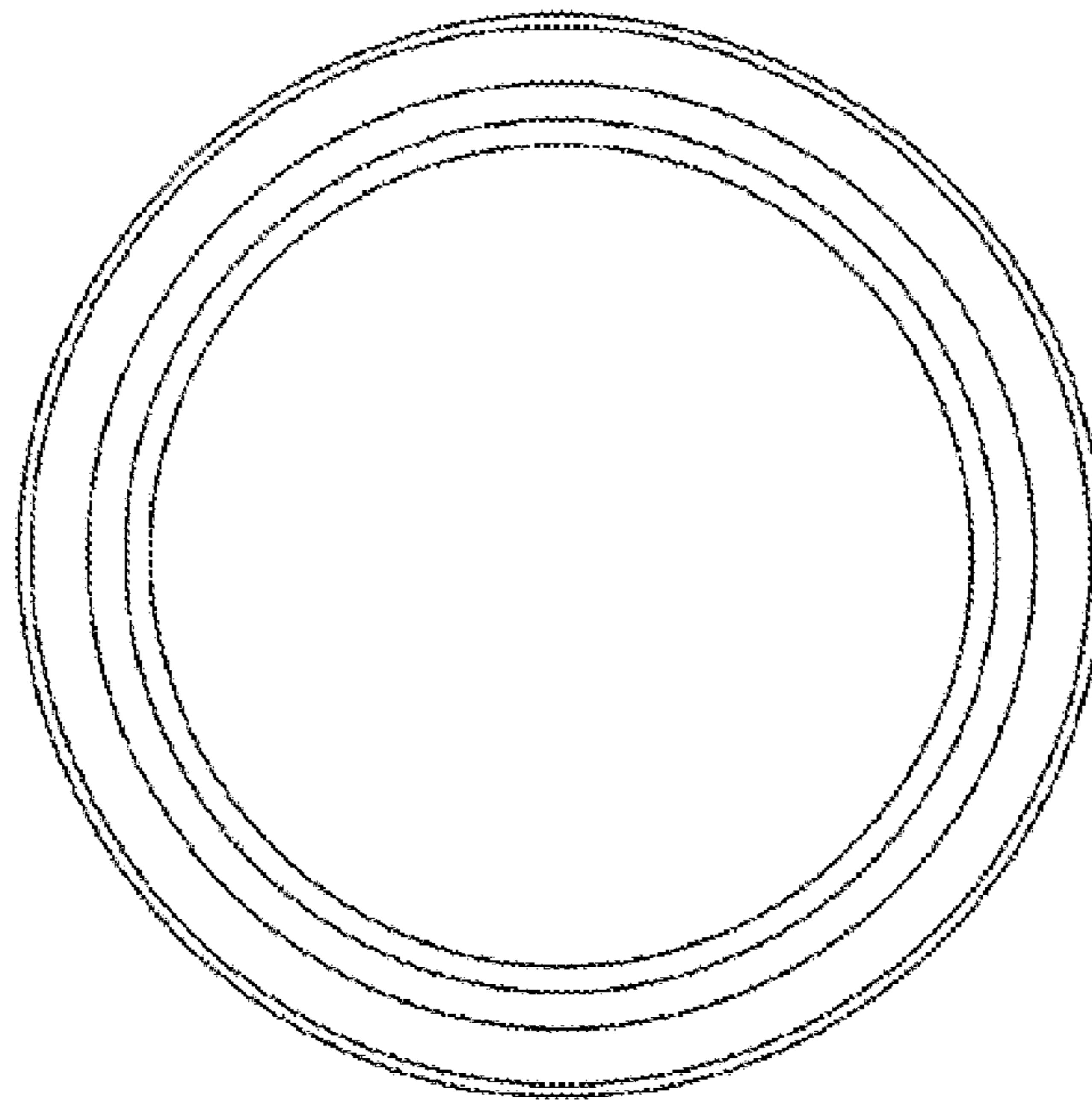


Fig. 5

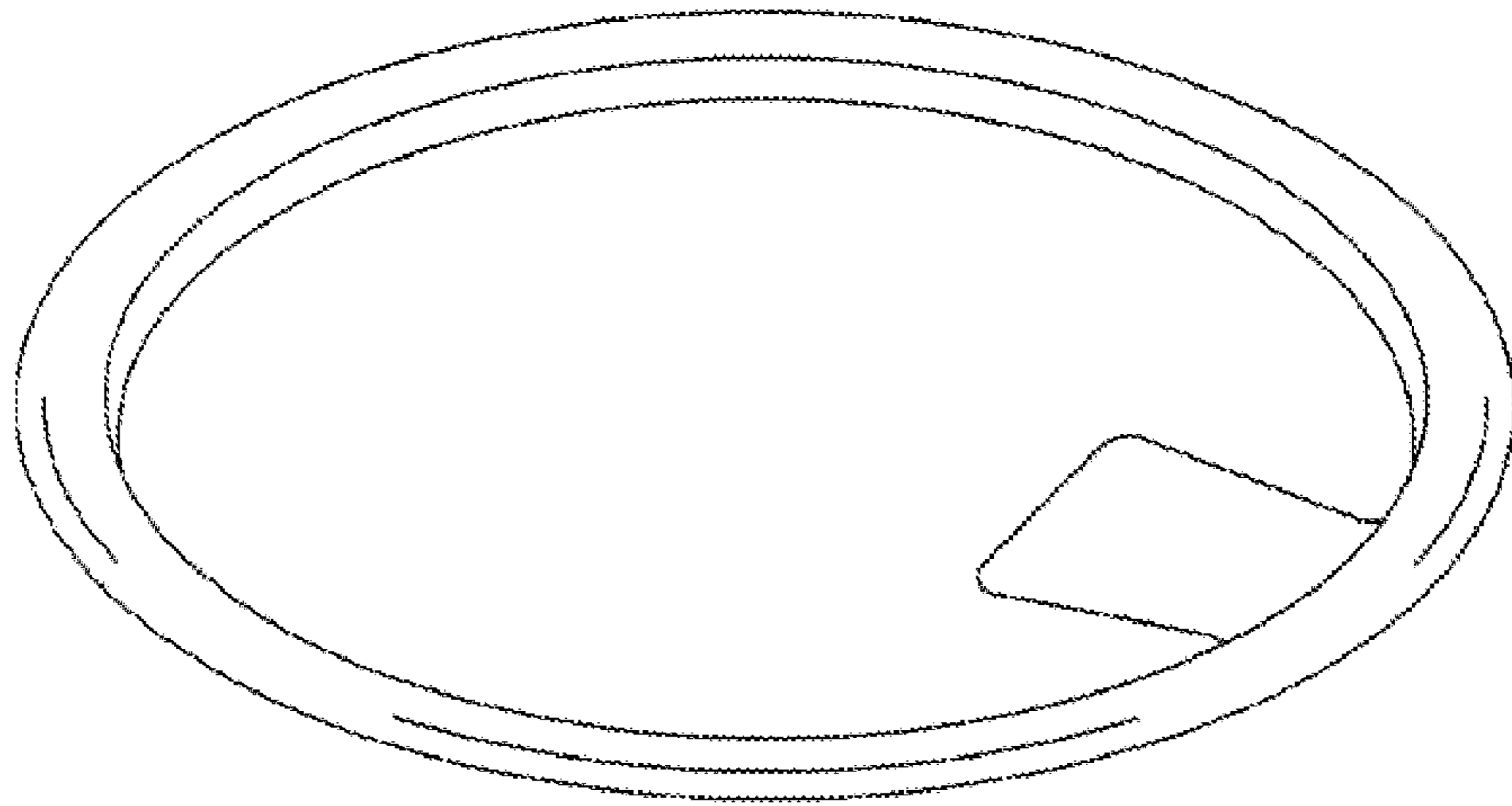


Fig. 6

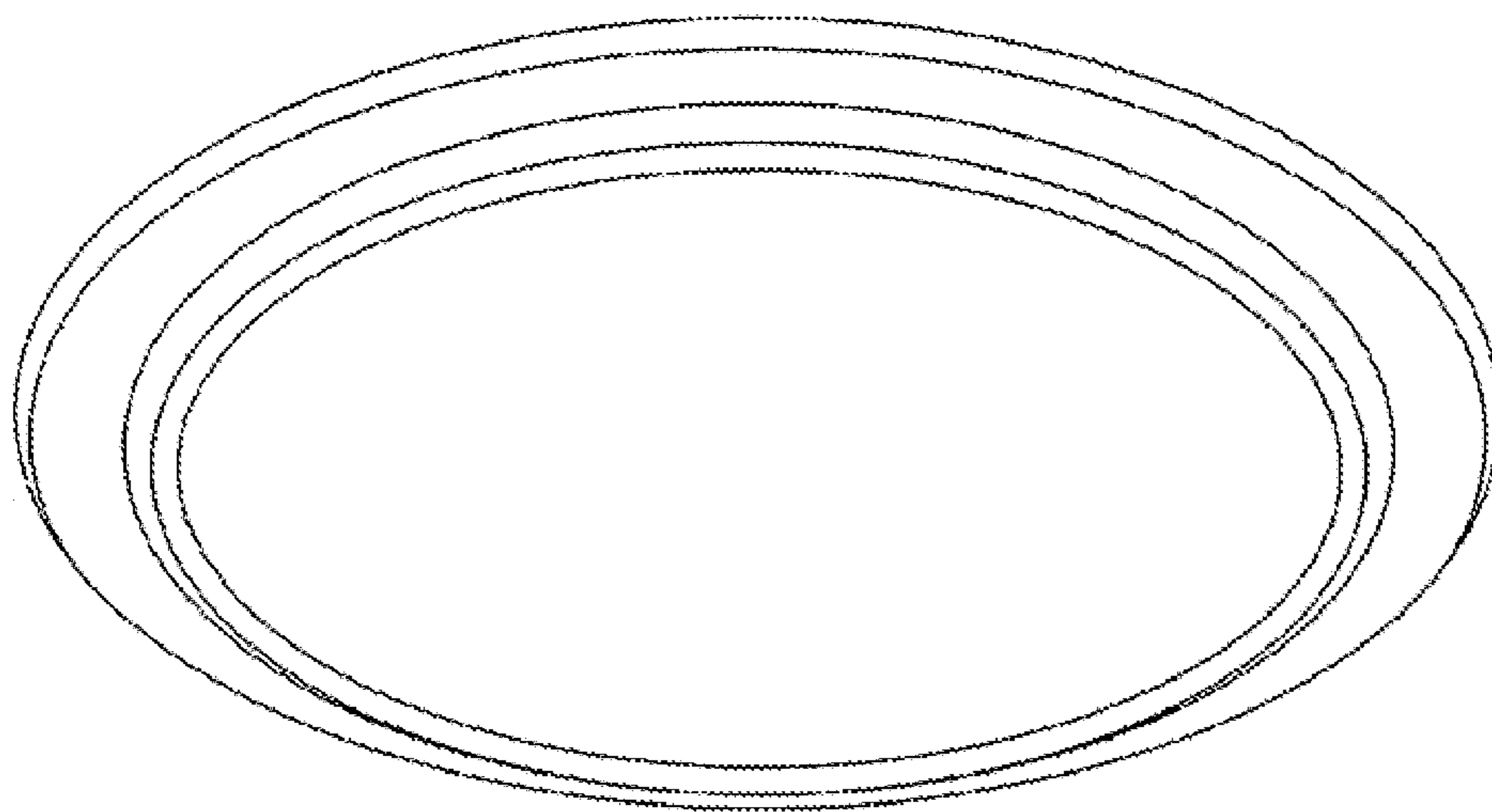


Fig. 7