



US00D567656S

(12) **United States Design Patent**  
**Neiâs**

(10) **Patent No.:** **US D567,656 S**

(45) **Date of Patent:** **\*\* Apr. 29, 2008**

(54) **LID ASSEMBLY FOR A SNUFF BOX**

D489,611 S \* 5/2004 Monsanty ..... D9/435  
D500,343 S \* 12/2004 McRobbie ..... D20/28  
D518,728 S \* 4/2006 Frantz ..... D9/454

(75) Inventor: **Anna Neiâs**, Stockholm (SE)

(73) Assignee: **Swedish Match North Europe AB**,  
Stockholm (SE)

\* cited by examiner

*Primary Examiner*—Gary D. Watson

*Assistant Examiner*—Susan Bennett Hattan

(74) *Attorney, Agent, or Firm*—Renner, Otto, Boisselle &  
Sklar LLP

(\*\*) Term: **14 Years**

(21) Appl. No.: **29/246,438**

(22) Filed: **Apr. 12, 2006**

(57) **CLAIM**

The ornamental design for a lid assembly for a snuff box, as shown and described.

(30) **Foreign Application Priority Data**

Oct. 18, 2005 (SE) ..... 05-0619  
Oct. 31, 2005 (SE) ..... 06-0060

**DESCRIPTION**

(51) **LOC (8) Cl.** ..... **09-07**

(52) **U.S. Cl.** ..... **D9/449; D9/454; D9/439**

(58) **Field of Classification Search** ..... D9/780,  
D9/763, 539, 516, 454, 453, 449, 447, 440,  
D9/439, 438, 436, 435; D34/39; 222/570,  
222/569, 547, 464.1, 185.1; 220/257.1; 215/341;  
137/845, 844; D20/28

FIG. 1 is a top perspective view of a lid assembly for a snuff box showing my new design, the lid assembly including a lid and a lid insert;

FIG. 2 is a bottom perspective view of the lid assembly for a snuff box of FIG. 1;

FIG. 3 is a top perspective view of the lid insert portion, shown separately for clarity of illustration;

FIG. 4 is bottom perspective view of the lid insert portion of FIG. 3;

FIG. 5 is a top perspective of the lid portion, shown separately for clarity of illustration; and,

FIG. 6 is a bottom perspective view of the lid portion of FIG. 5.

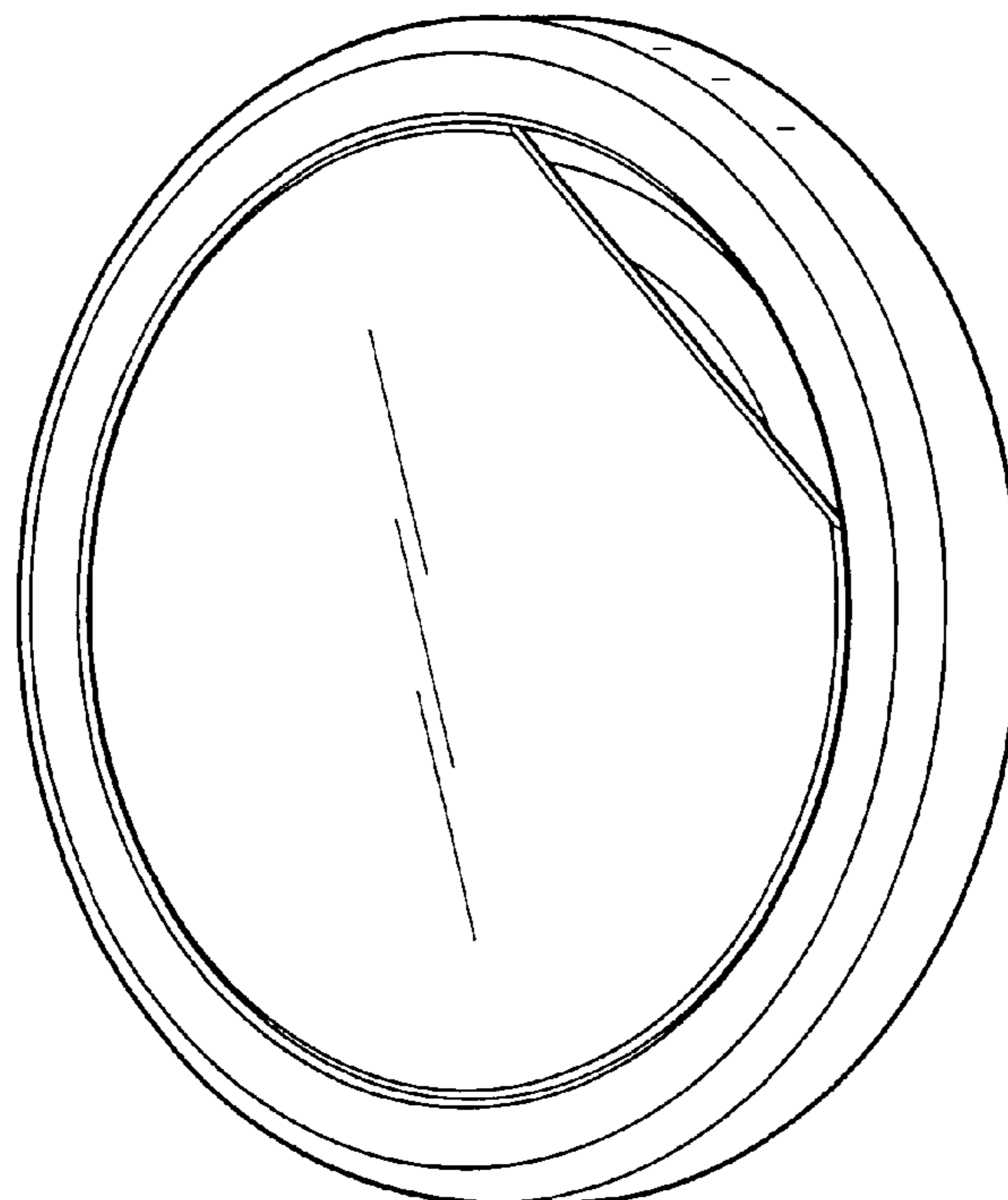
See application file for complete search history.

(56) **References Cited**

**U.S. PATENT DOCUMENTS**

D277,826 S \* 3/1985 Brown, Sr. .... D9/439  
D334,710 S \* 4/1993 Picozza ..... D9/454  
D357,863 S \* 5/1995 Picozza ..... D9/436  
5,524,609 A \* 6/1996 Krull ..... 126/500  
D485,758 S \* 1/2004 Clarke et al. .... D9/447

**1 Claim, 3 Drawing Sheets**



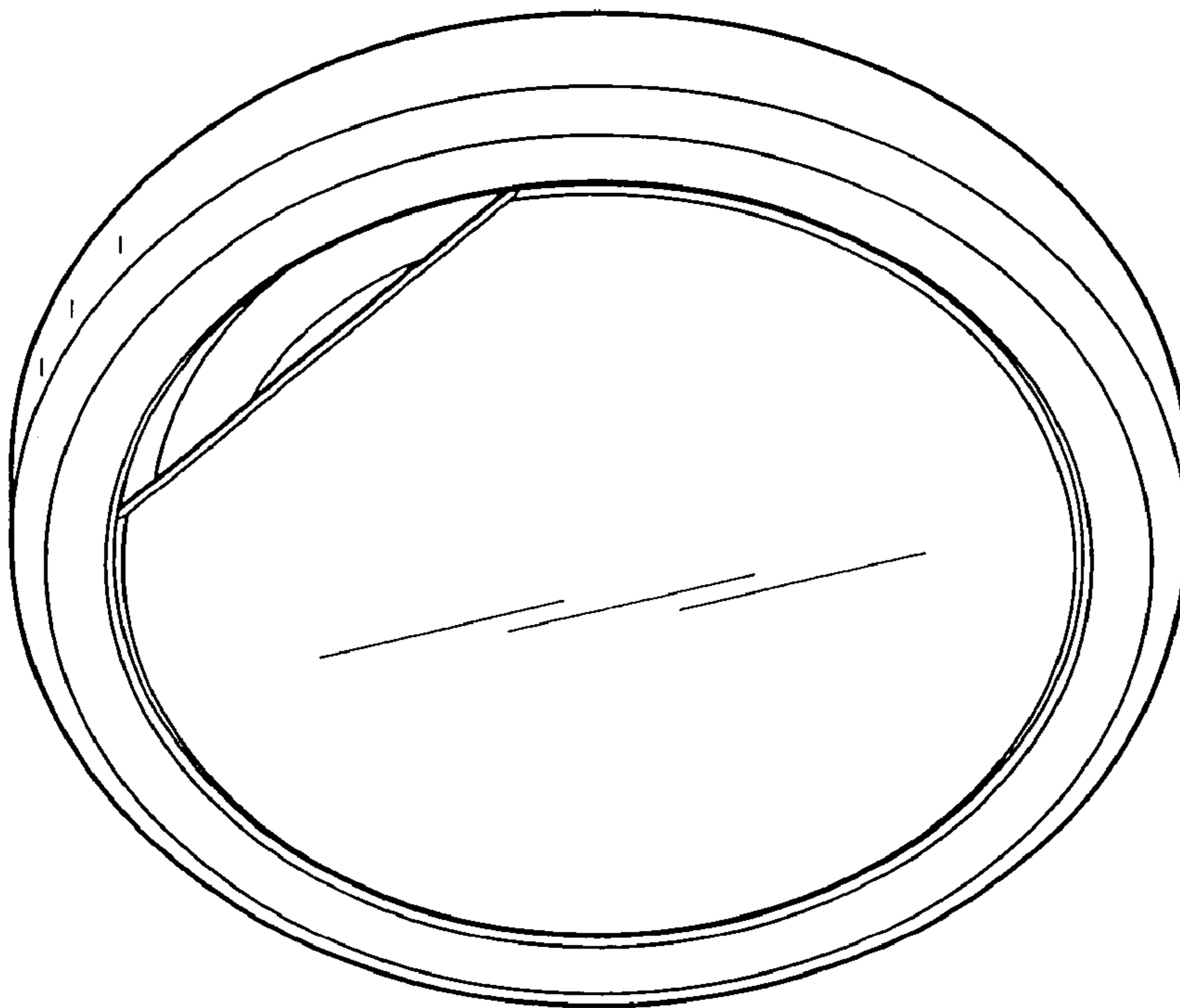


FIG. 1

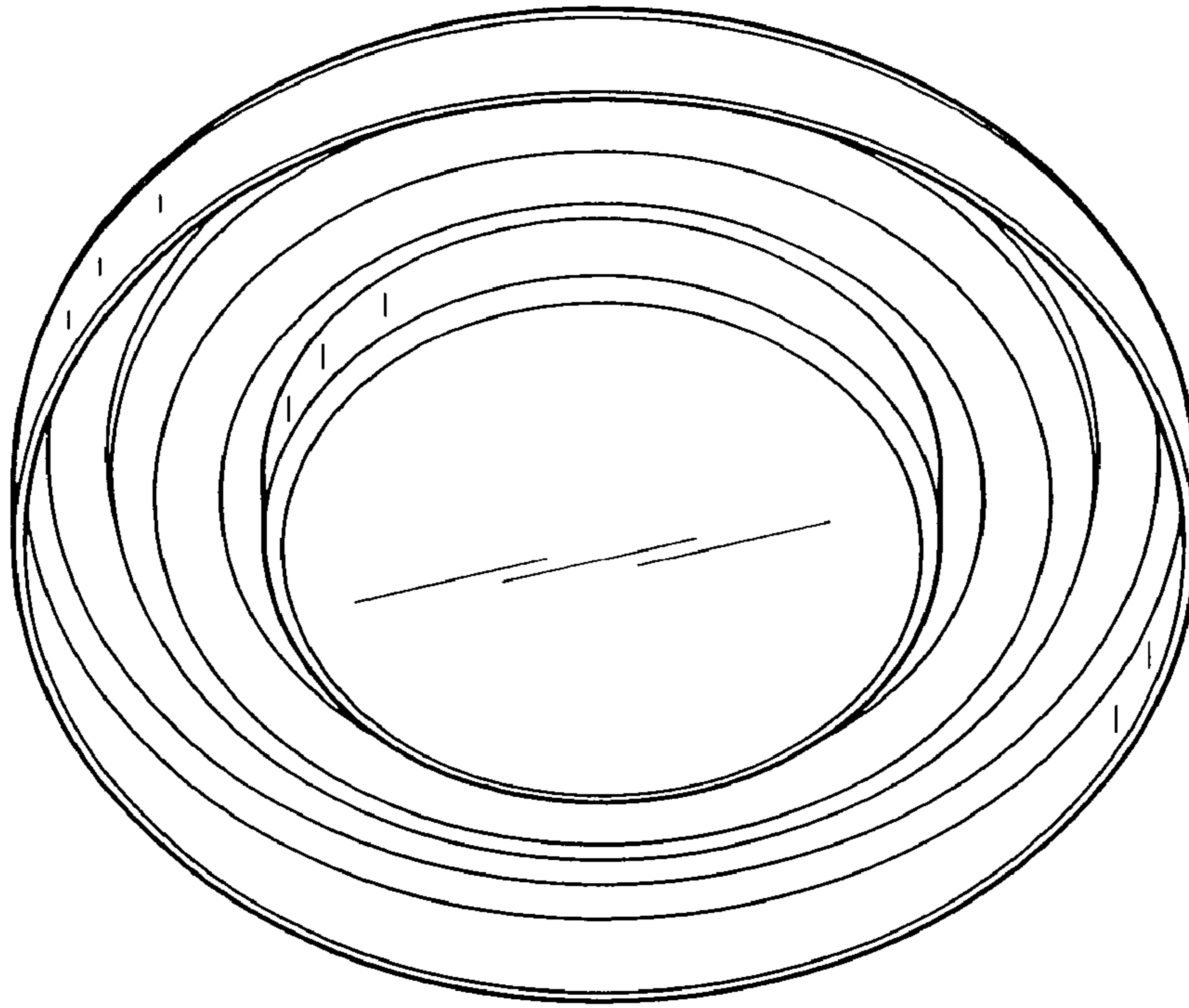


FIG. 2

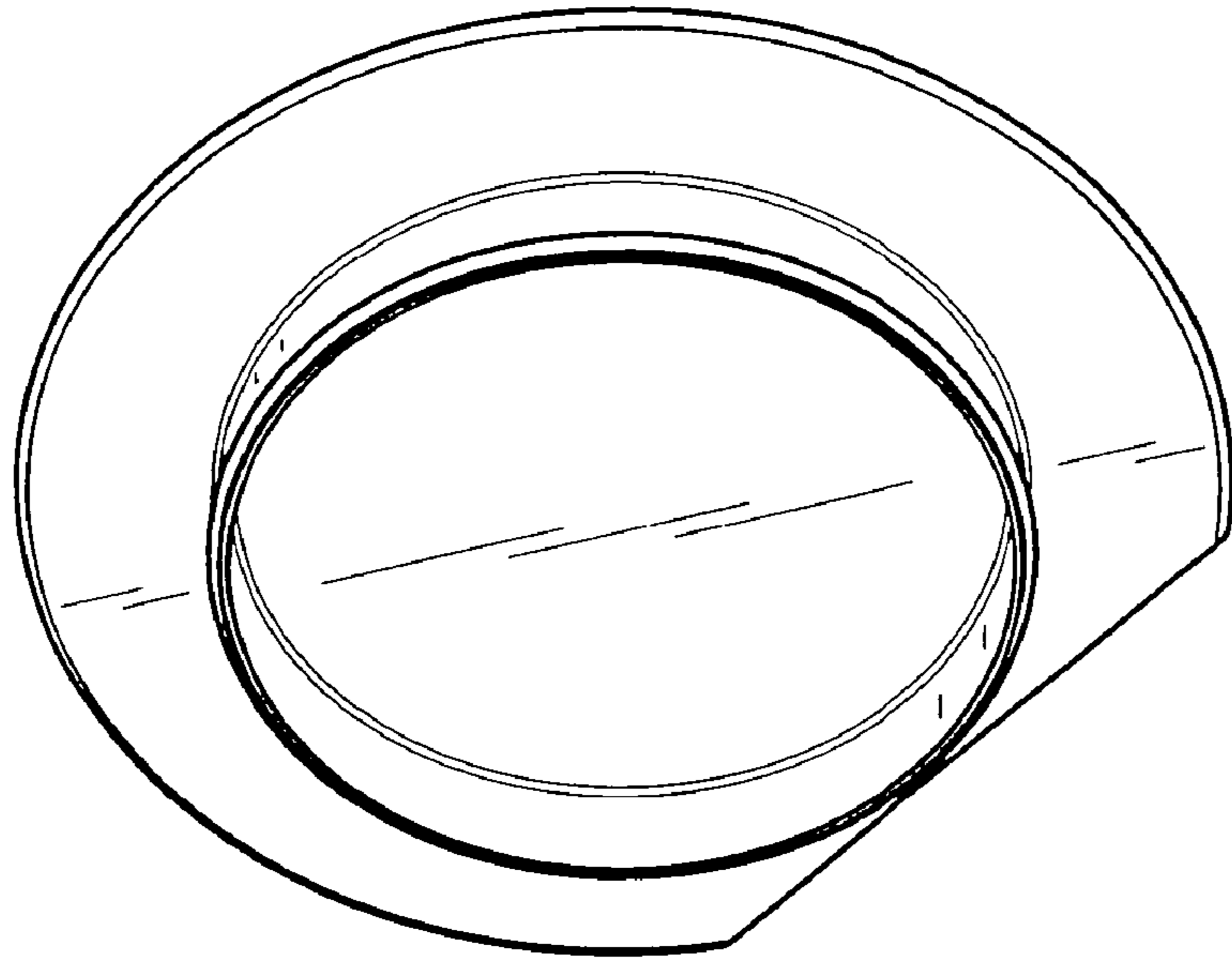


FIG. 4

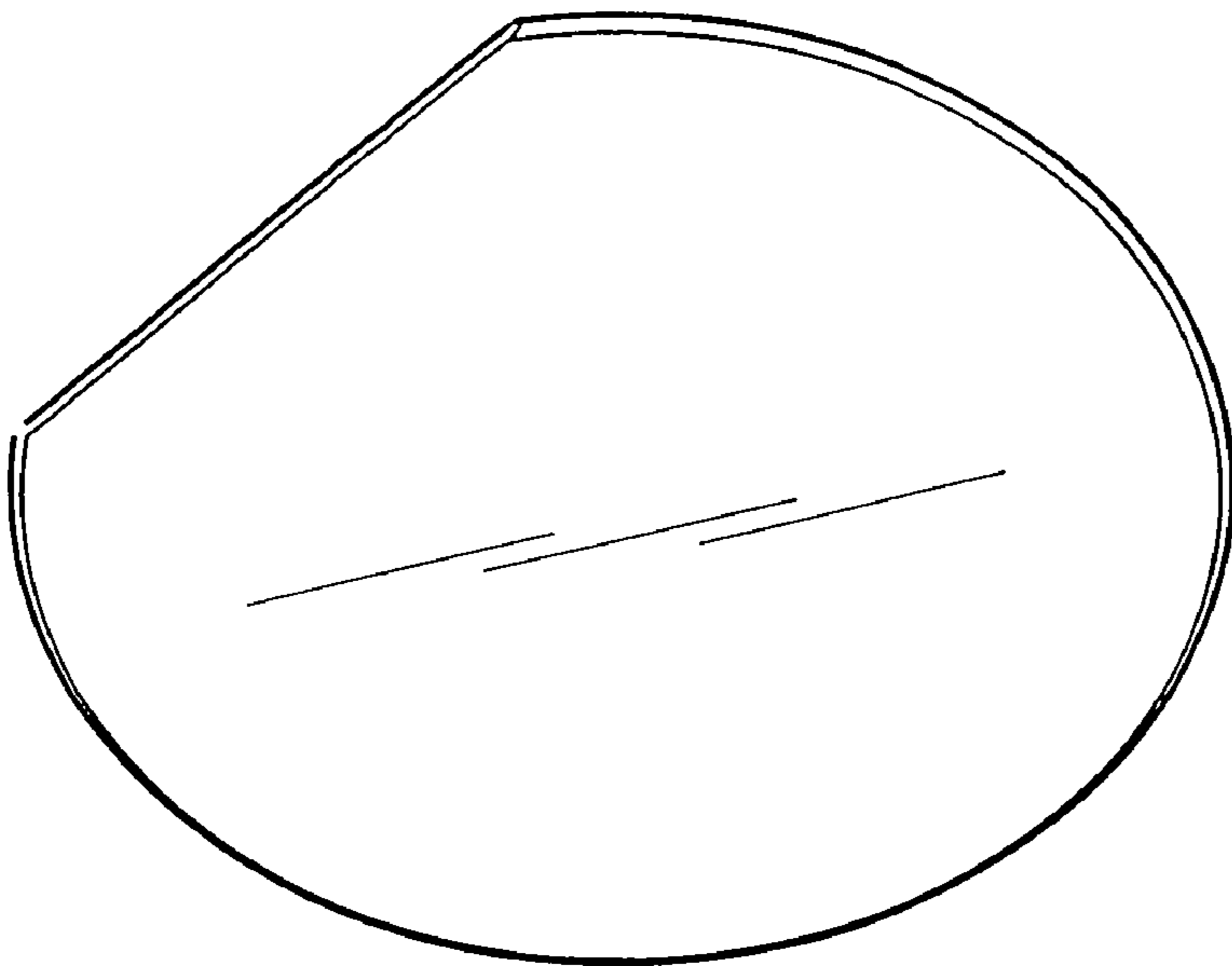


FIG. 3

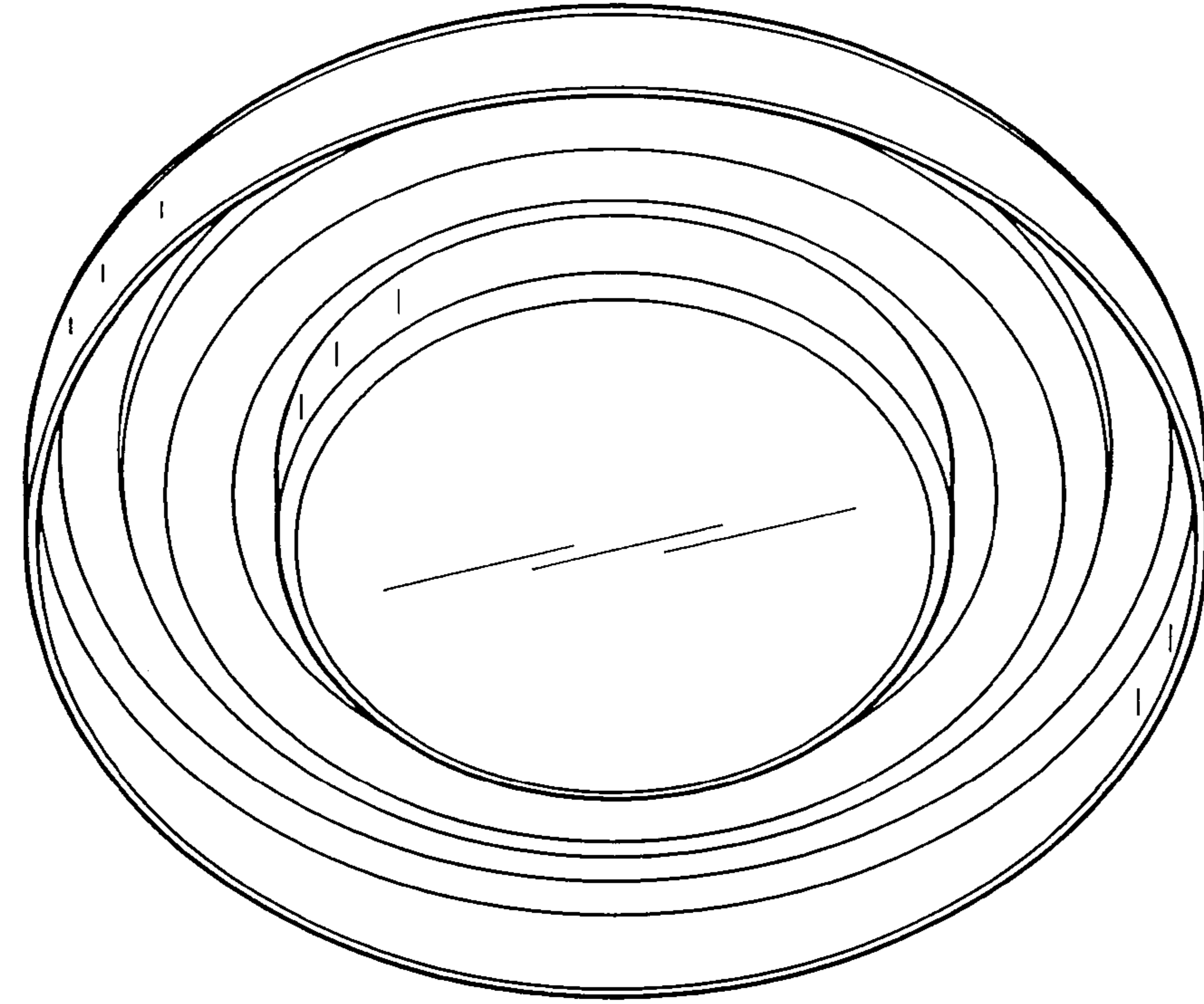


FIG. 6

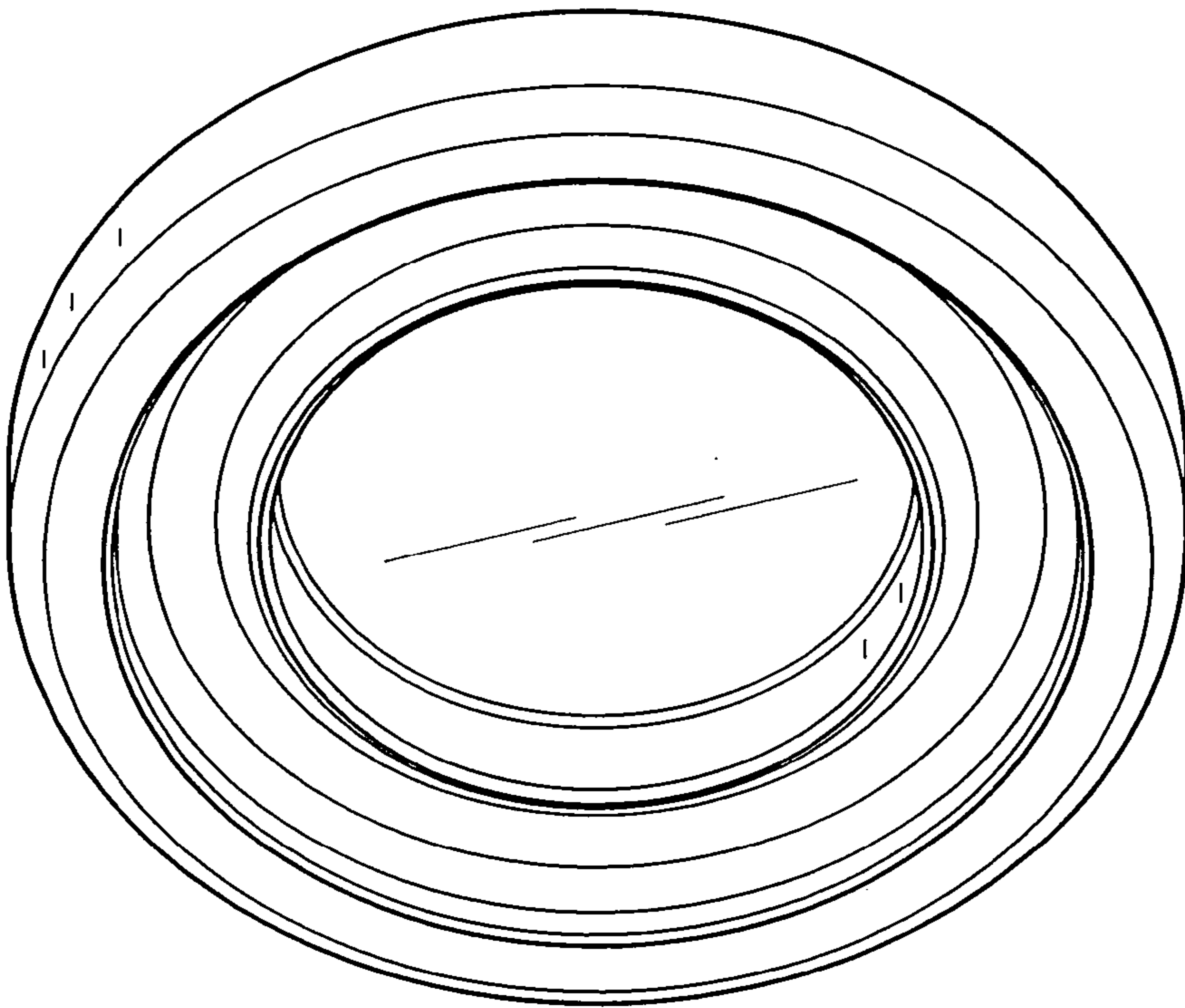


FIG. 5