



US00D567654S

(12) **United States Design Patent**  
**Geiberger**

(10) **Patent No.:** **US D567,654 S**

(45) **Date of Patent:** **\*\* Apr. 29, 2008**

(54) **ACTUATOR**

(75) **Inventor:** **Christoph Geiberger, Königswinter**  
(DE)

(73) **Assignee:** **GlaxoSmithkline Consumer**  
**Healthcare GmbH & Co KG, Buehl**  
(DE)

(\*\*) **Term:** **14 Years**

(21) **Appl. No.:** **29/279,062**

(22) **Filed:** **Apr. 19, 2007**

(30) **Foreign Application Priority Data**

Oct. 20, 2006 (GB) ..... 4000286

(51) **LOC (8) Cl.** ..... **09-07**

(52) **U.S. Cl.** ..... **D9/448; D9/454**

(58) **Field of Classification Search** ..... D9/694,  
D9/691, 690, 689, 688, 686, 682, 564, 453,  
D9/449, 448, 447, 445, 404; 239/573, 569;  
222/649, 635, 566, 384, 321.7, 321.1, 212,  
222/207, 183, 180, 153.13; 220/915

See application file for complete search history.

(56) **References Cited**

**U.S. PATENT DOCUMENTS**

D447,948 S \* 9/2001 Pannozzo et al. .... D9/448

D462,009 S \* 8/2002 Poisson et al. .... D9/448  
D471,106 S \* 3/2003 Pannozzo et al. .... D9/448  
D478,284 S \* 8/2003 Pannozzo et al. .... D9/448  
D478,285 S \* 8/2003 Pannozzo et al. .... D9/448  
D509,136 S \* 9/2005 Walters et al. .... D9/447

\* cited by examiner

*Primary Examiner*—Robert M. Spear

*Assistant Examiner*—Susan Bennett Hattan

(74) *Attorney, Agent, or Firm*—Nora Stein-Fernandez;  
Theodore R. Furman

(57) **CLAIM**

I claim the ornamental design for an actuator, as shown and described.

**DESCRIPTION**

FIG. 1 is a front perspective view of my design for an actuator from above and one side;

FIG. 2 is a front view;

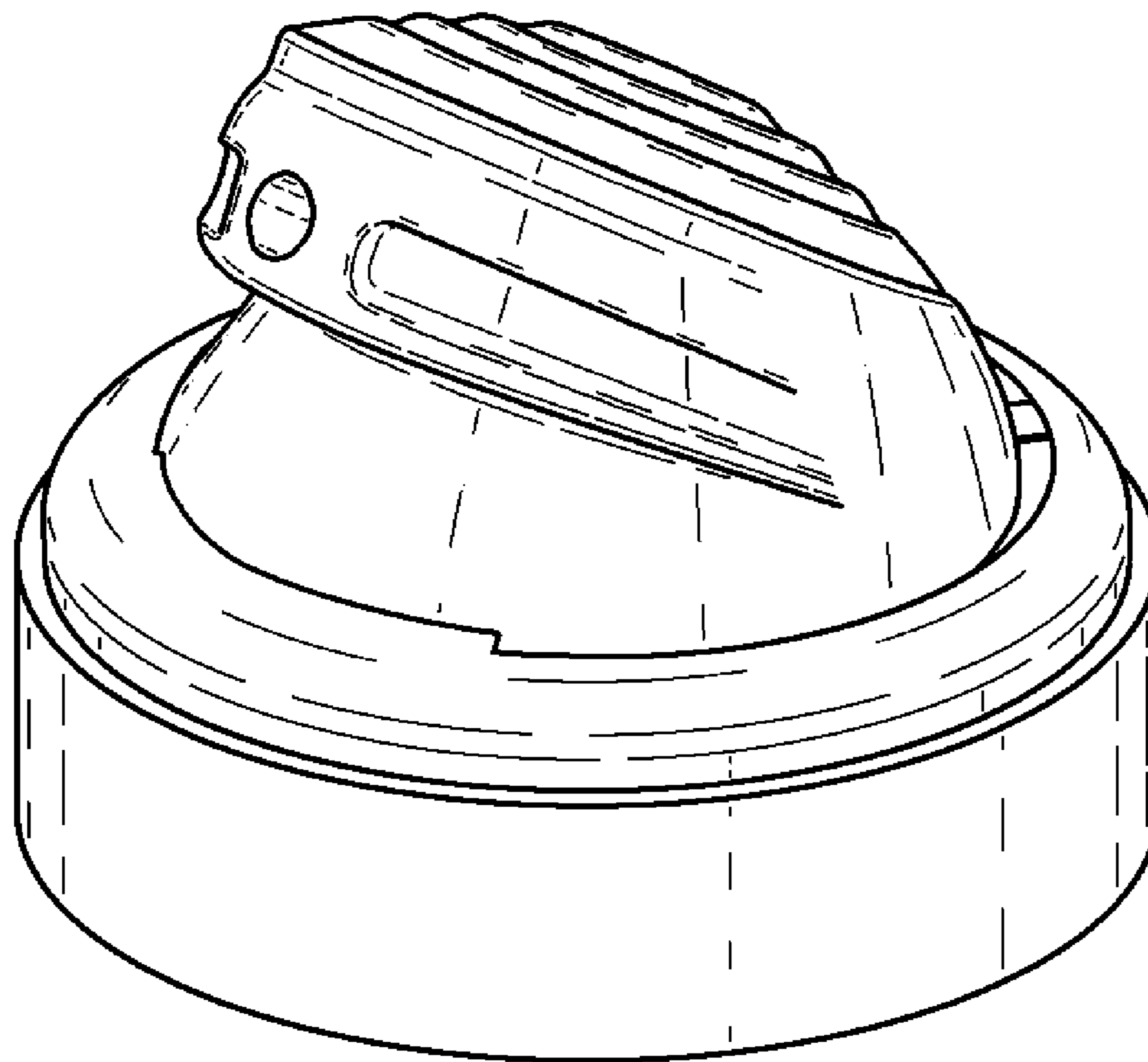
FIG. 3 is a rear view;

FIG. 4 is a side view;

FIG. 5 is a view of other side; and,

FIG. 6 is a plan view.

**1 Claim, 2 Drawing Sheets**



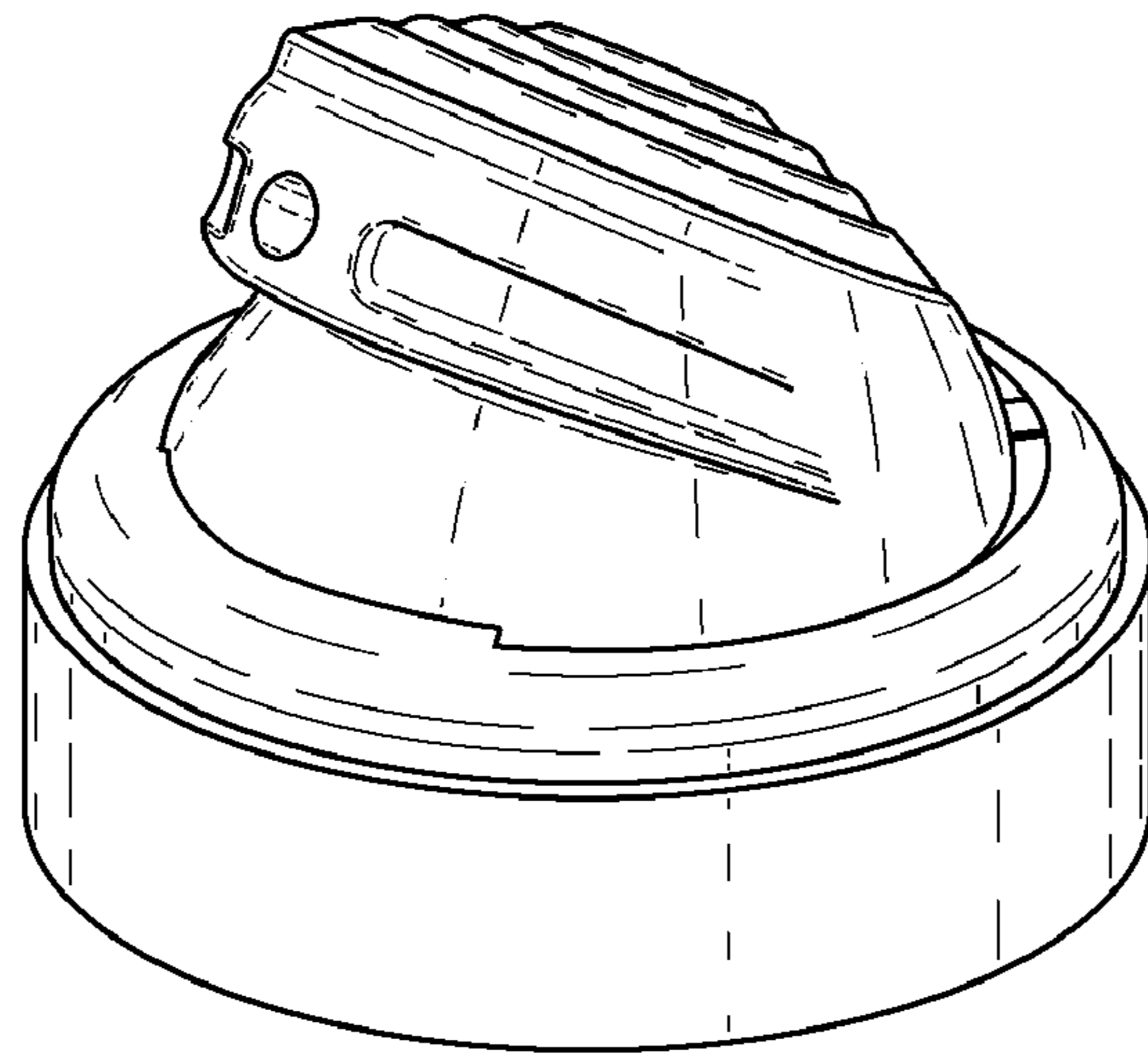


Fig. 1.

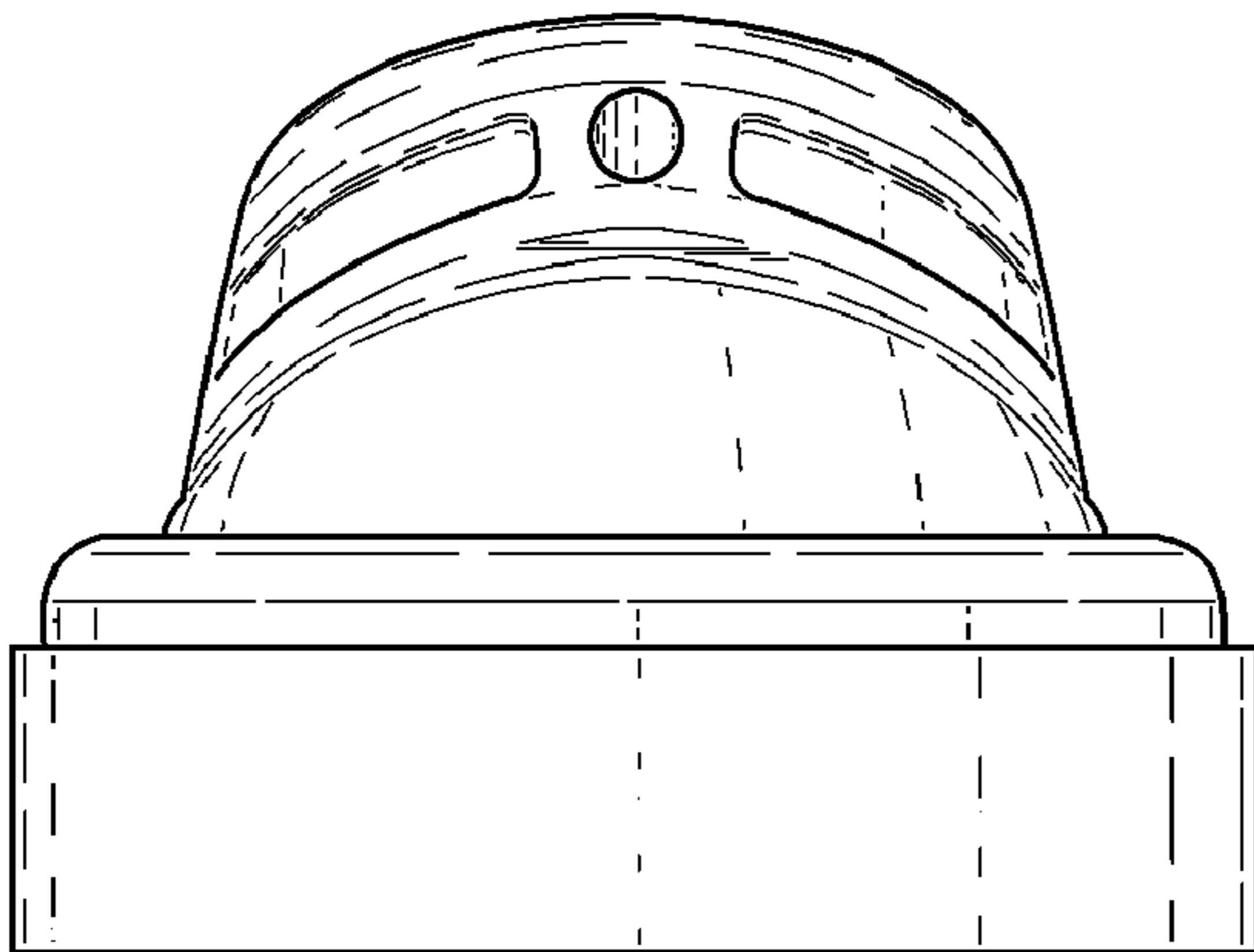


Fig. 2.

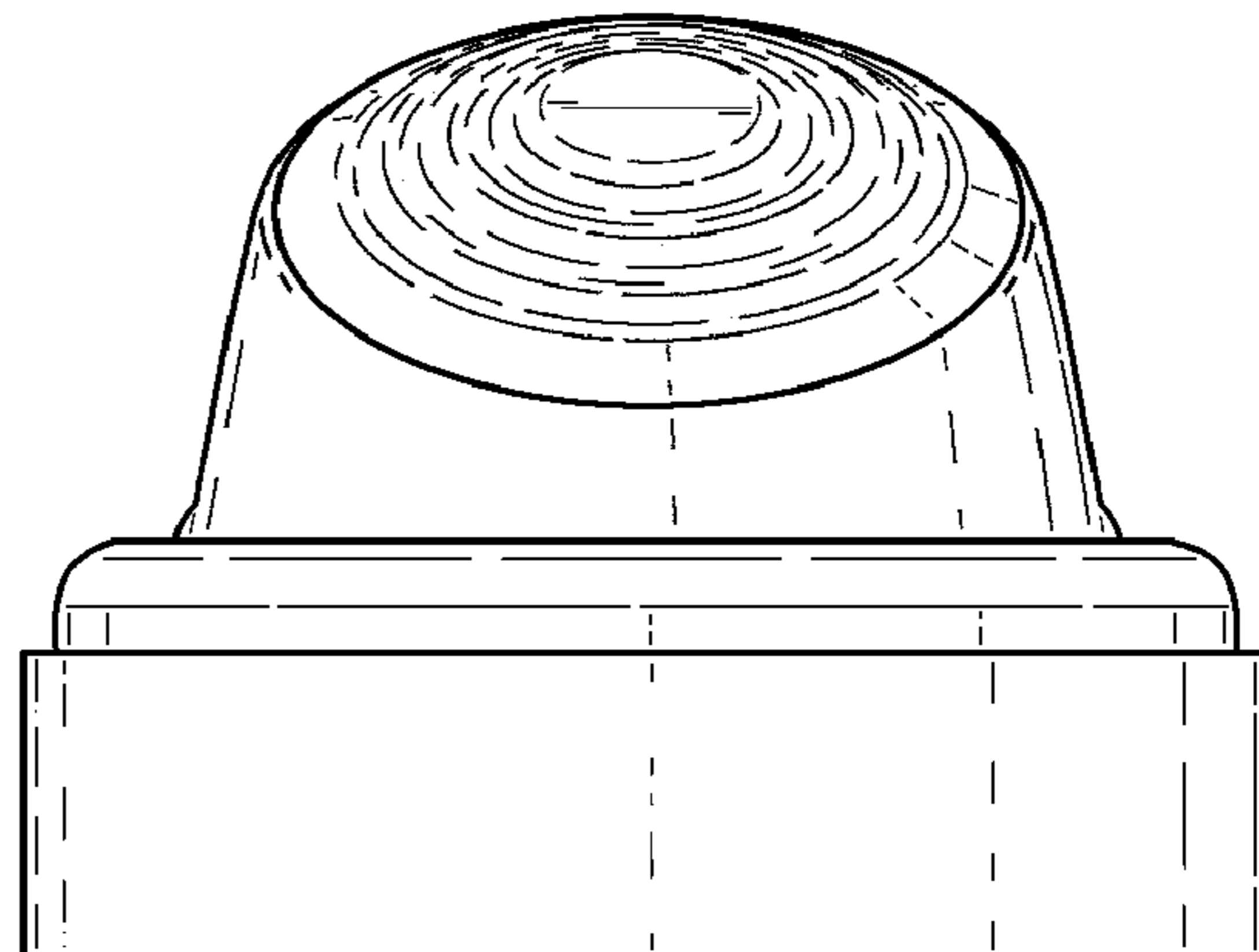


Fig. 3.

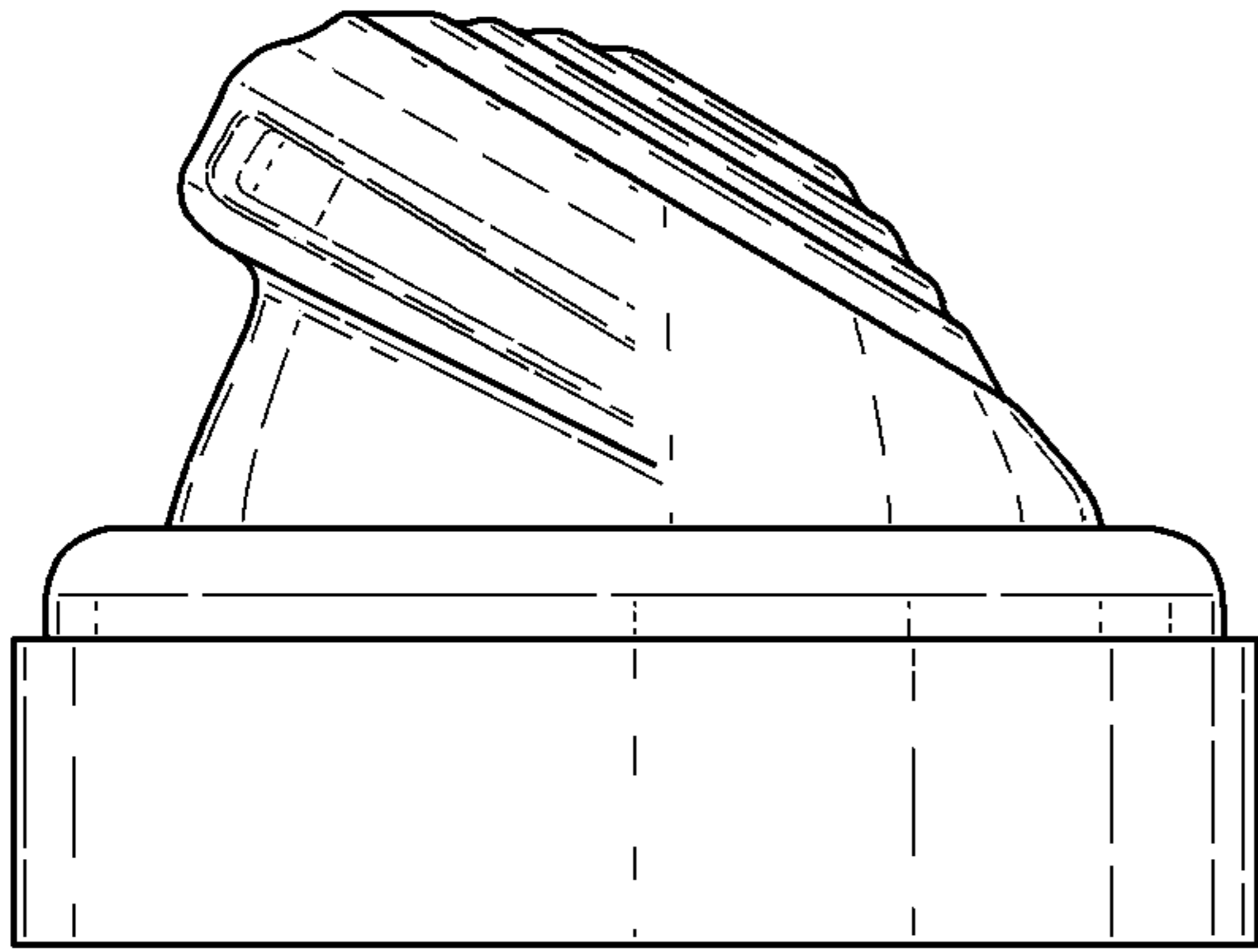


Fig.4.

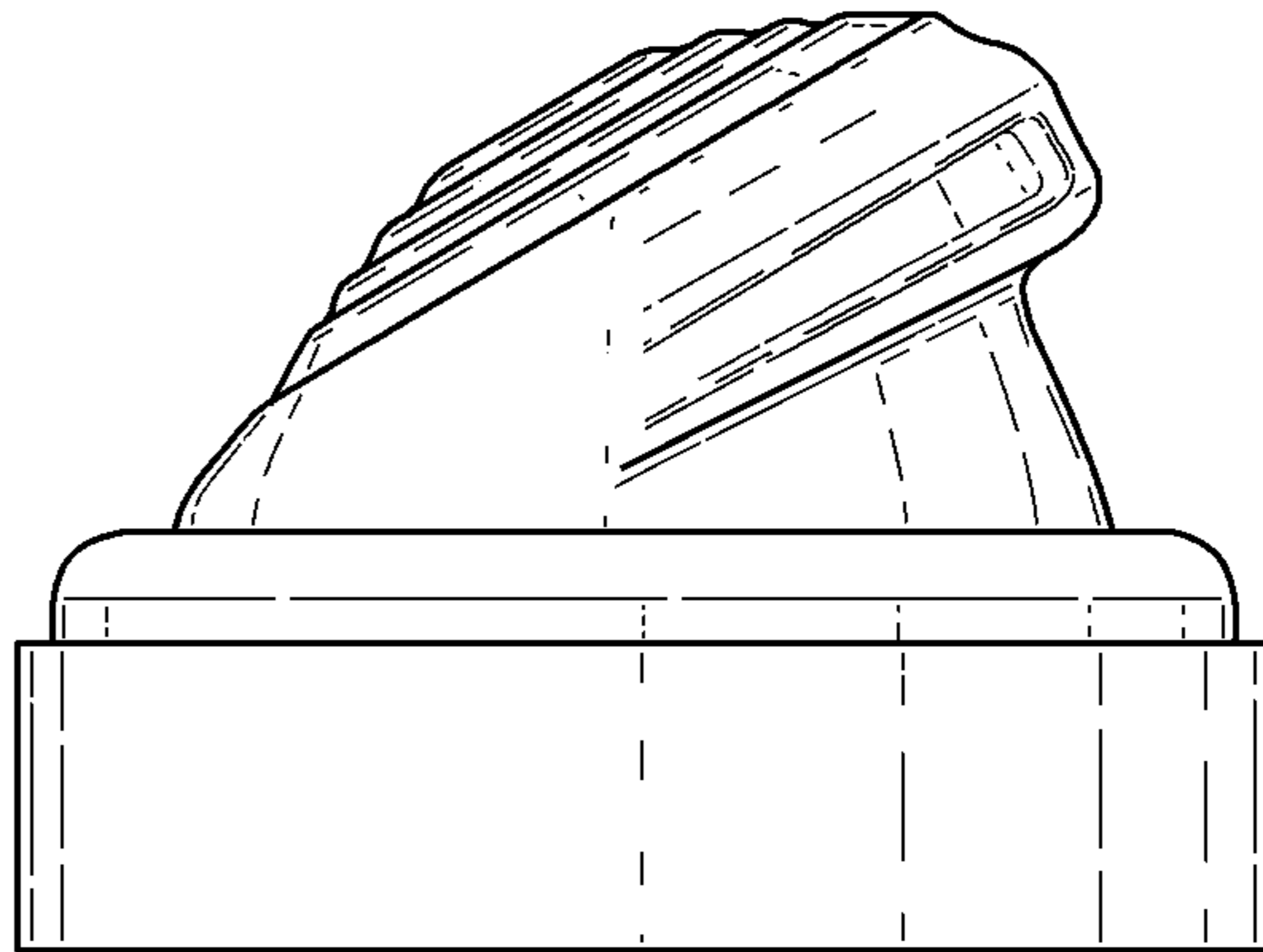


Fig.5.

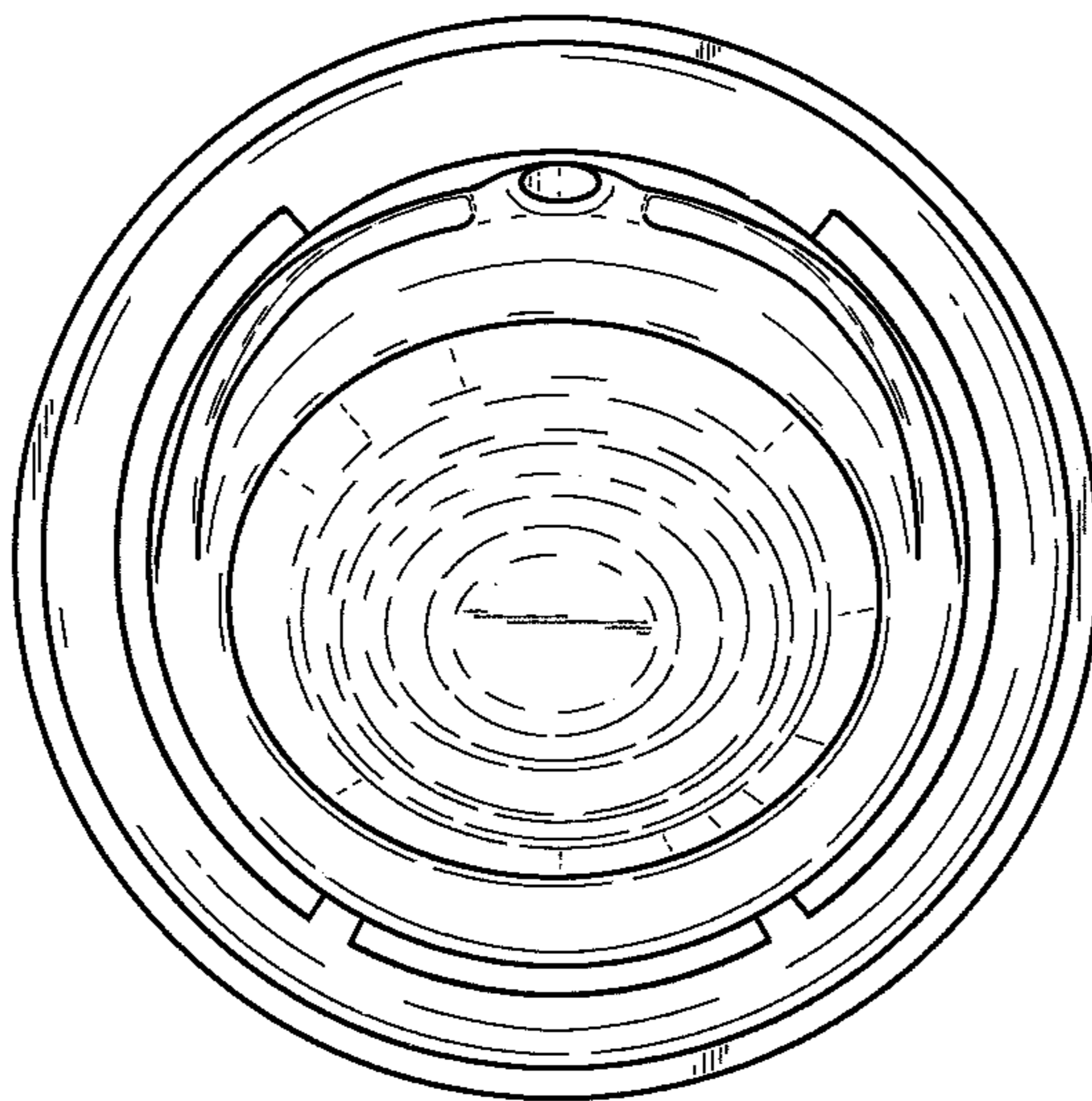


Fig.6.