



US00D567653S

(12) **United States Design Patent**  
**Binderbauer et al.**

(10) **Patent No.:** **US D567,653 S**

(45) **Date of Patent:** **\*\* Apr. 29, 2008**

(54) **LIQUID DISINFECTANT DISPENSER SPOUT**

(75) Inventors: **Horst Binderbauer**, Ladera Ranch, CA (US); **Michl Binderbauer**, Ladera Ranch, CA (US); **Renato Franchetto**, Coto de Caza, CA (US)

(73) Assignee: **Soaptronic International, LLC**, Ladera Ranch, CA (US)

(\*\*) Term: **14 Years**

(21) Appl. No.: **29/278,005**

(22) Filed: **Mar. 15, 2007**

(51) **LOC (8) Cl.** ..... **09-07**

(52) **U.S. Cl.** ..... **D9/448; D9/434; D9/435**

(58) **Field of Classification Search** ..... D9/734,  
D9/728, 682, 448, 447, 440, 434, 693, 694,  
D9/690; D6/515; D23/238; 222/321.1-321.9,  
222/282, 251; 221/63

See application file for complete search history.

(56) **References Cited**

**U.S. PATENT DOCUMENTS**

D253,398 S *	11/1979	Niemeyer et al.	.....	D9/448
D306,702 S *	3/1990	Turner et al.	.....	D9/448
D320,348 S *	10/1991	Law	.....	D9/448
D392,887 S *	3/1998	Wadsworth	.....	D9/448
D400,103 S *	10/1998	Park	.....	D9/448
D418,418 S *	1/2000	Wadsworth	.....	D9/448
D419,446 S *	1/2000	Durliat	.....	D9/448
D441,253 S *	5/2001	Chen	.....	D9/448

D445,686 S *	7/2001	Danielo et al.	.....	D9/448
D466,017 S *	11/2002	Kuo	.....	D9/448
D499,966 S *	12/2004	Arminak	.....	D9/448
D505,326 S *	5/2005	Costa	.....	D9/448
D516,175 S *	2/2006	Ng	.....	D23/238
D528,188 S *	9/2006	Lammel et al.	.....	D23/238
D528,911 S *	9/2006	Turner	.....	D9/448

\* cited by examiner

*Primary Examiner*—Gary D. Watson

*Assistant Examiner*—Susan Bennett Hattan

(74) *Attorney, Agent, or Firm*—Myers Dawes Andras & Sherman LLP; Joseph C. Andras

(57) **CLAIM**

We claim the ornamental design for a liquid disinfectant dispenser spout, as shown and described.

**DESCRIPTION**

FIG. 1 is a perspective view of the liquid disinfectant dispenser spout of the present invention within the environment of an exemplary bottle and dispenser shown in broken lines and forming no part of the claimed design;

FIG. 2 is a top plan view thereof;

FIG. 3 is a bottom plan view thereof;

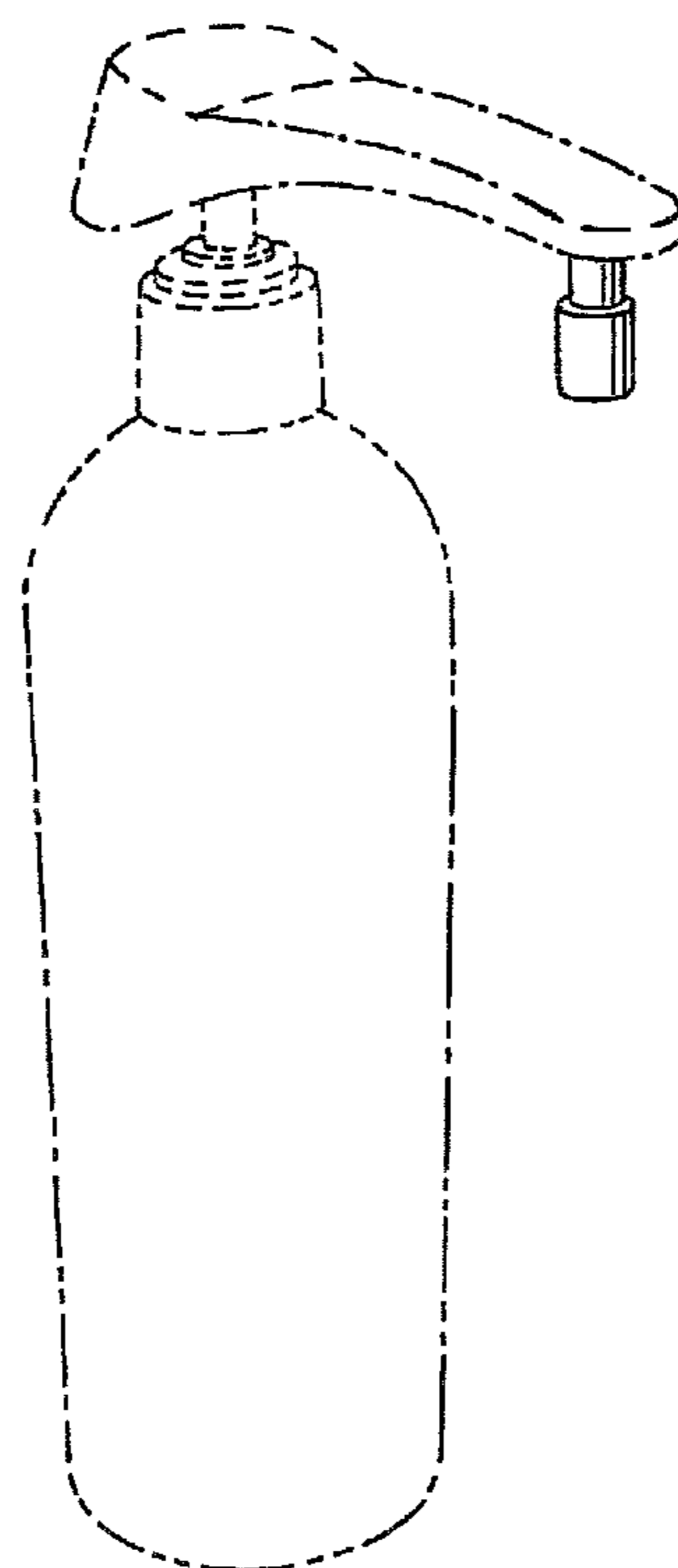
FIG. 4 is a left-side elevational view thereof;

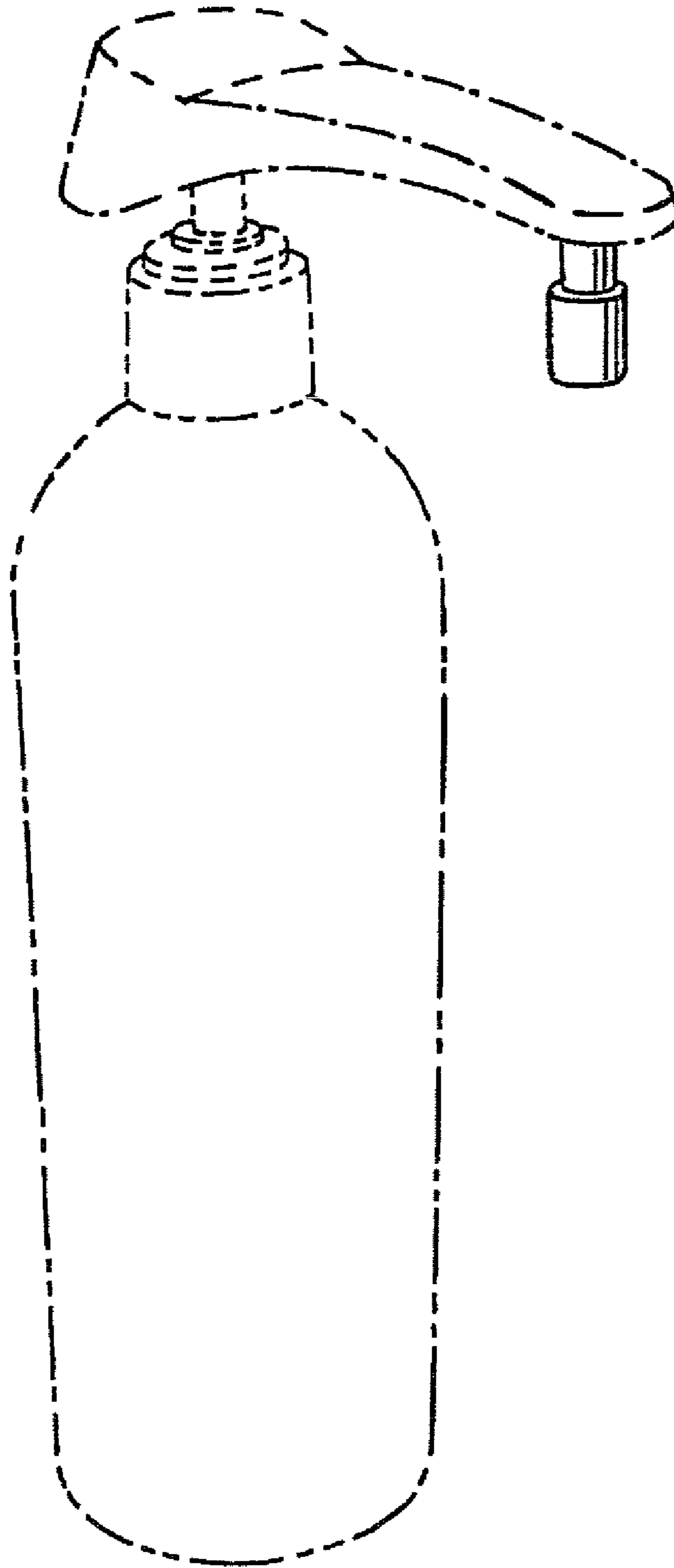
FIG. 5 is a front elevational view thereof;

FIG. 6 is a back elevational view thereof; and,

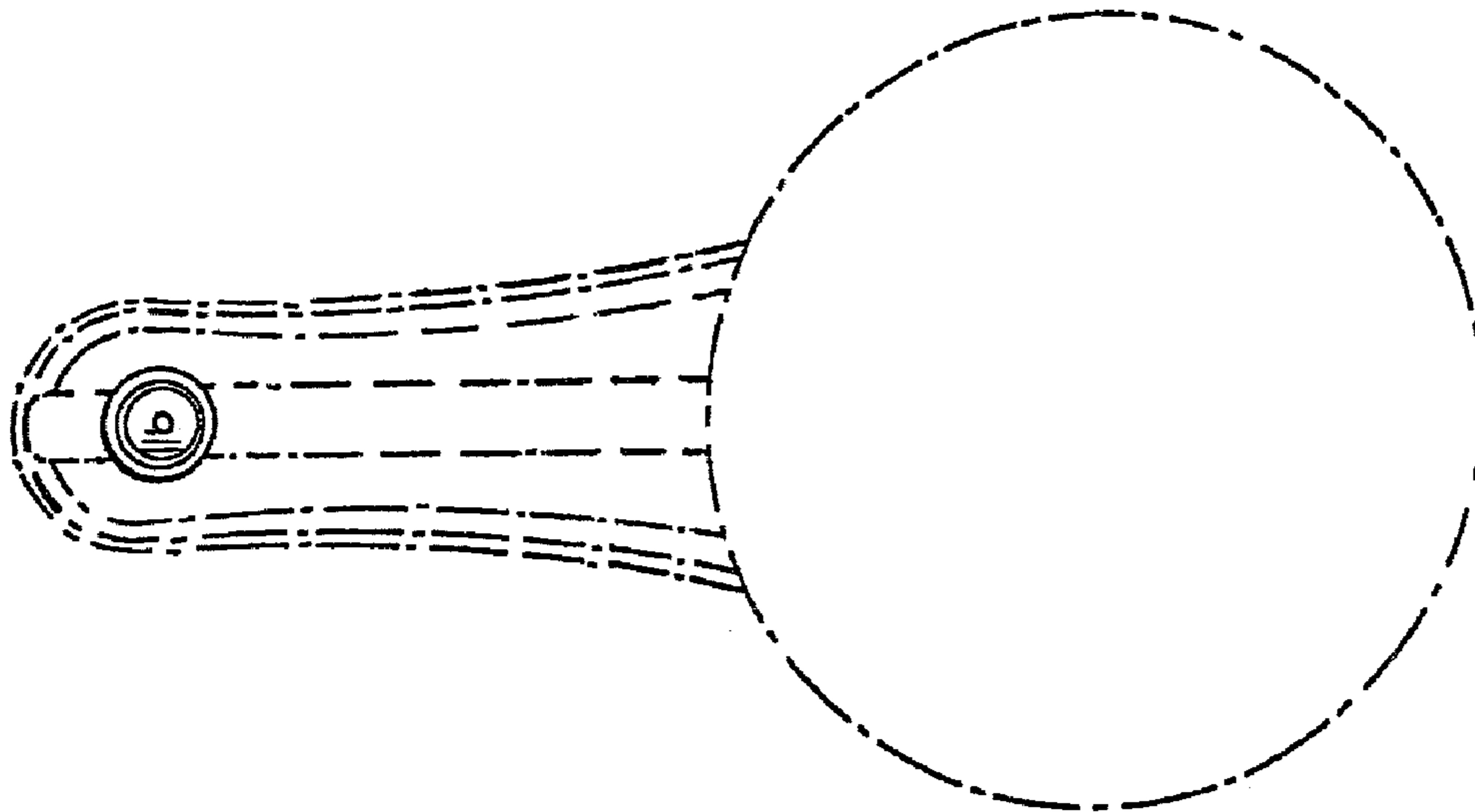
FIG. 7 is a right-side elevational view thereof.

**1 Claim, 4 Drawing Sheets**

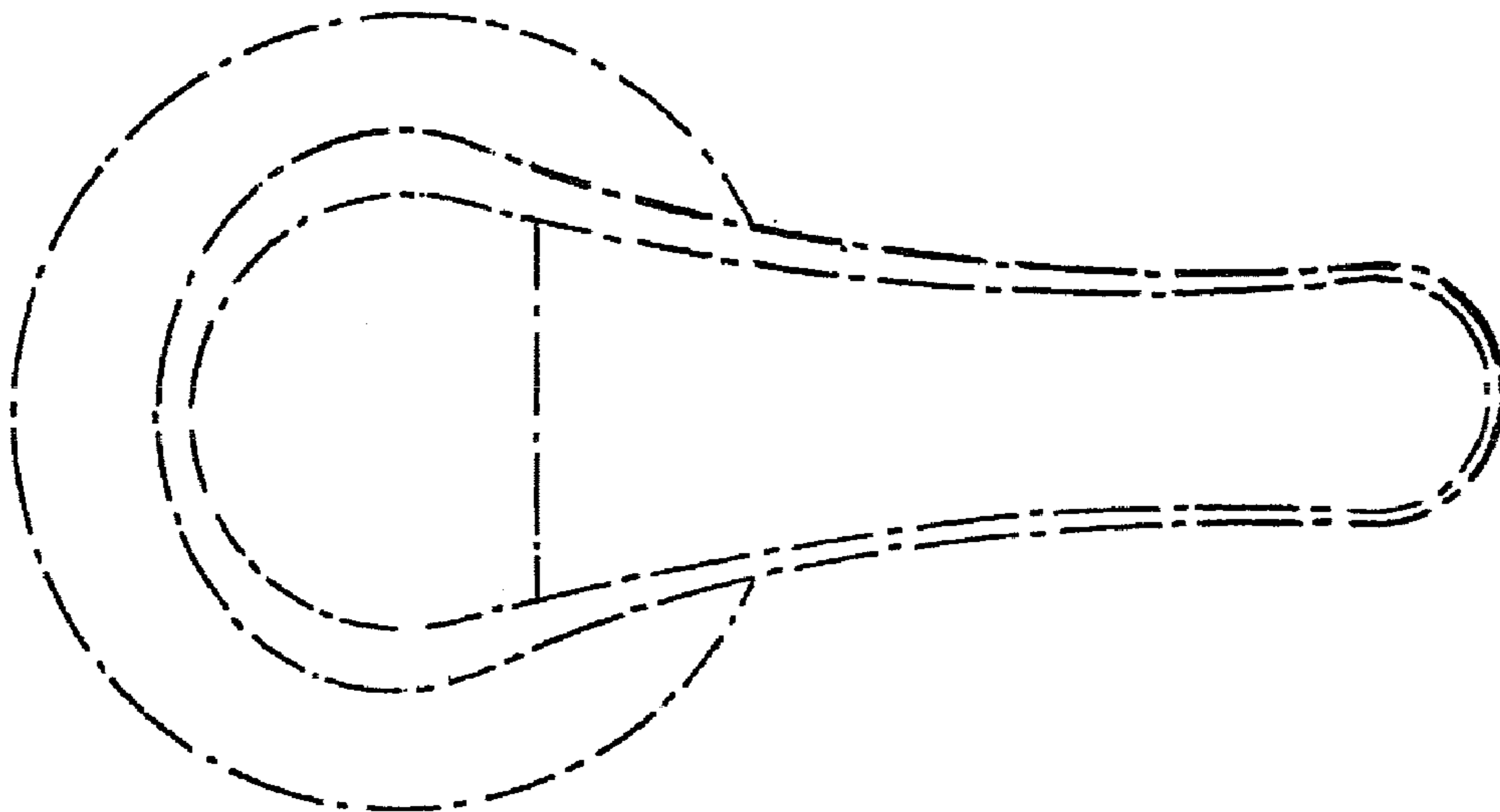




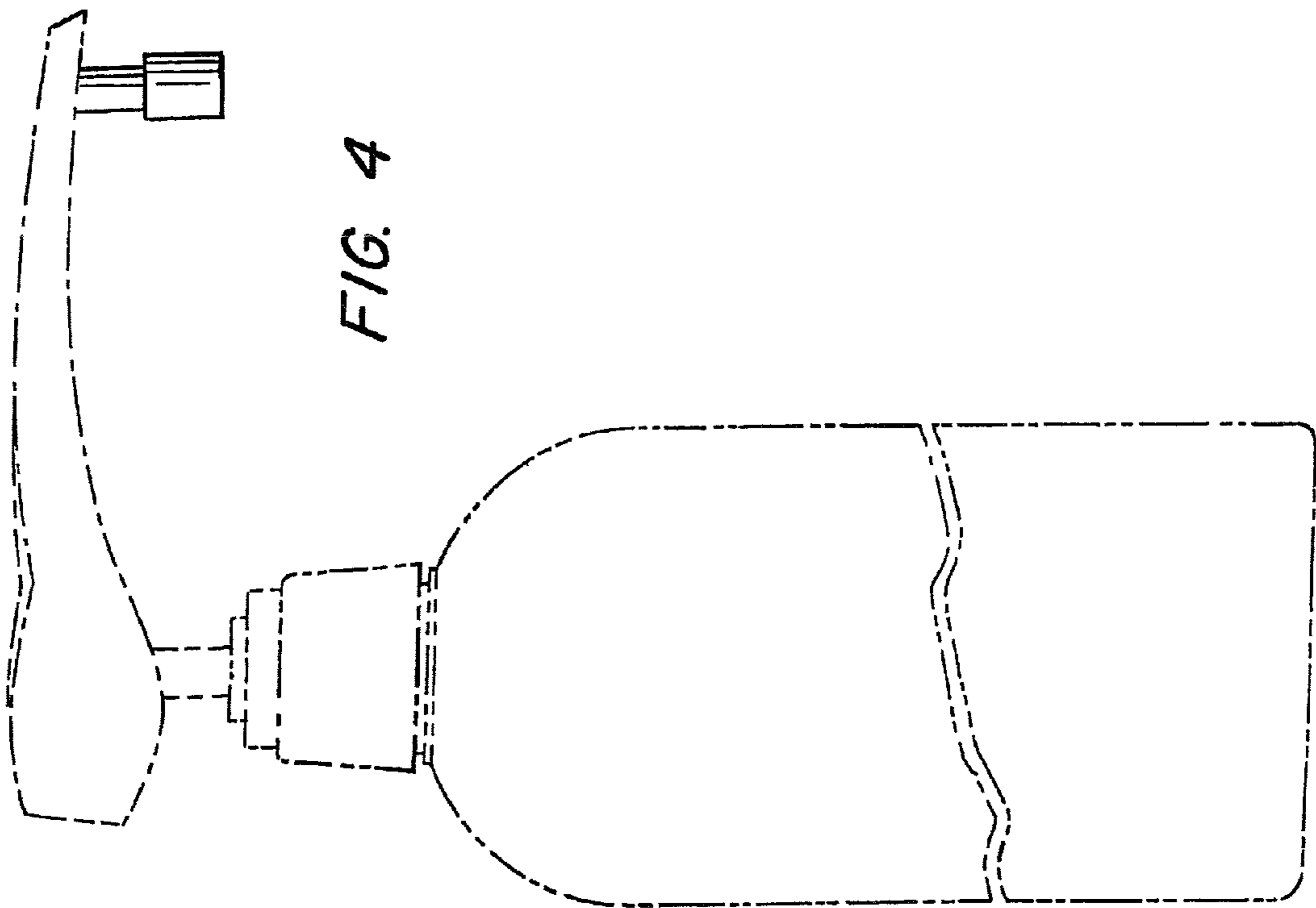
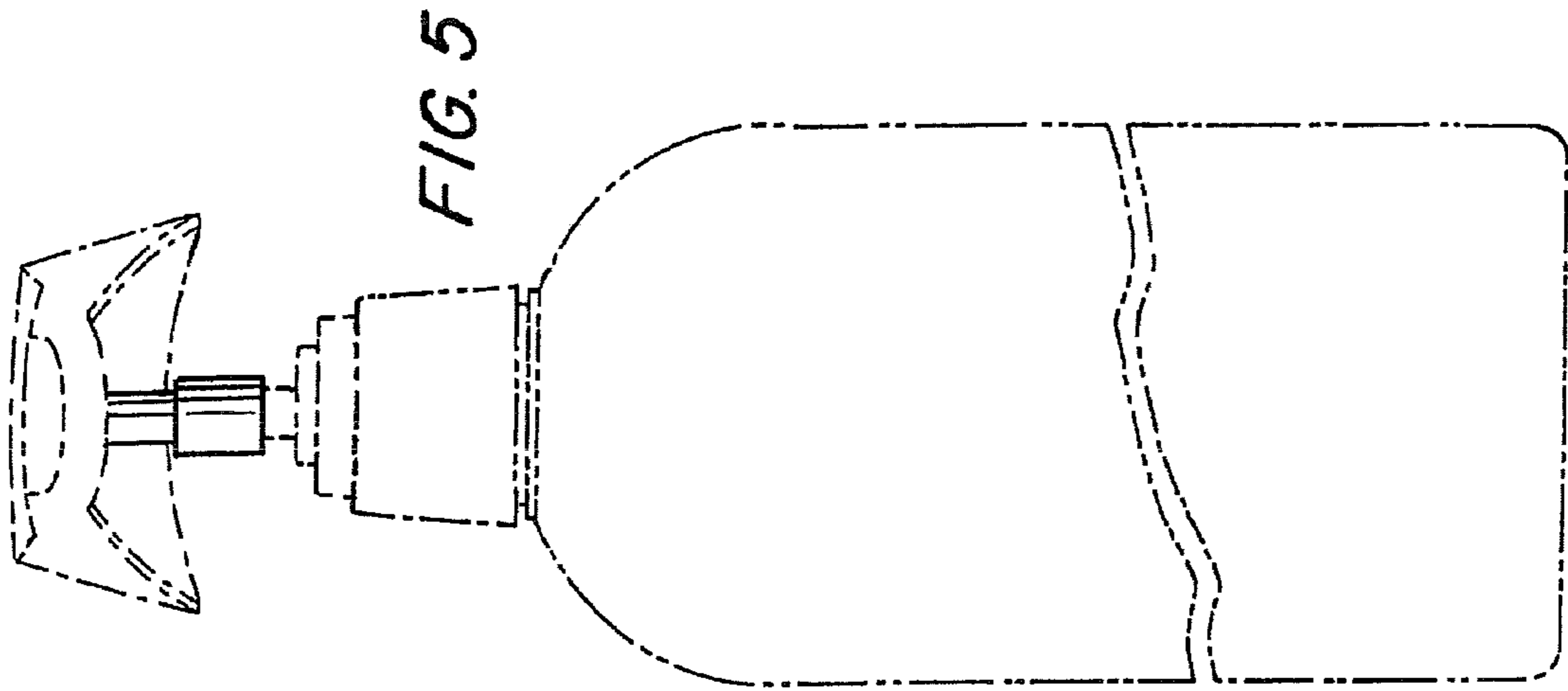
***FIG. 1***

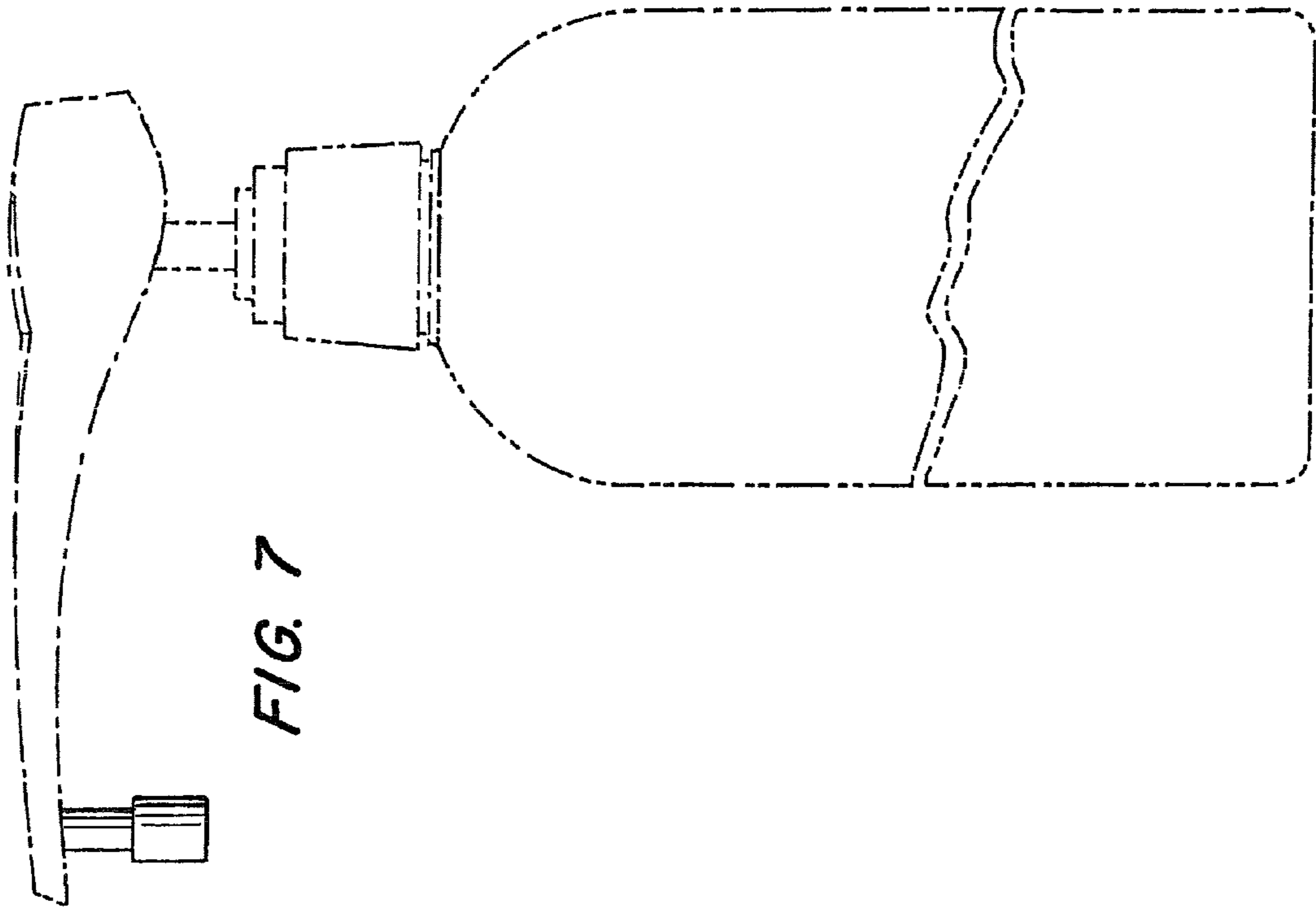


**FIG. 3**

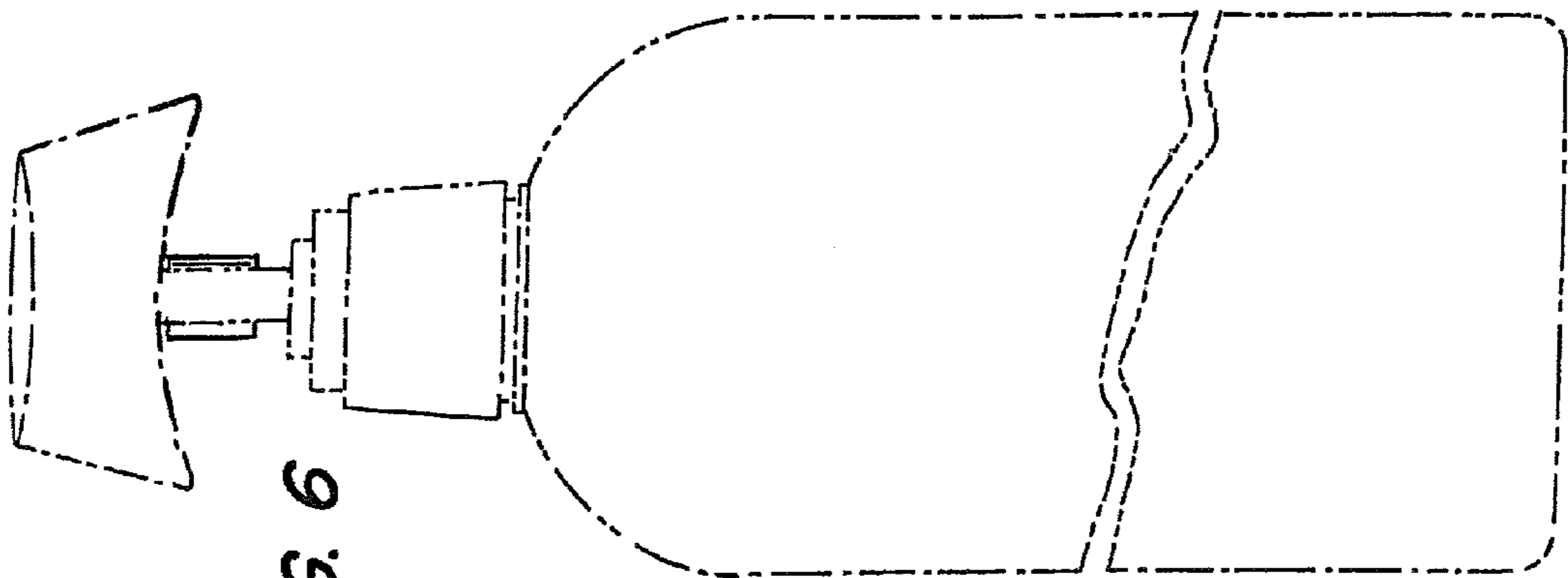


**FIG. 2**





*FIG. 7*



*FIG. 6*