



US00D567652S

(12) **United States Design Patent**
Binderbauer et al.

(10) **Patent No.:** **US D567,652 S**

(45) **Date of Patent:** **** Apr. 29, 2008**

(54) **LIQUID DISINFECTANT DISPENSER**

(75) Inventors: **Horst Binderbauer**, Ladera Ranch, CA (US); **Michl Bindenbauer**, Ladera Ranch, CA (US); **Renato Franchetto**, Coto de Caza, CA (US)

(73) Assignee: **Soaptronic International, LLC**, Ladera Ranch, CA (US)

(**) Term: **14 Years**

(21) Appl. No.: **29/278,004**

(22) Filed: **Mar. 15, 2007**

(51) **LOC (8) Cl.** **09-07**

(52) **U.S. Cl.** **D9/448**

(58) **Field of Classification Search** D9/734,
D9/728, 682, 448, 447, 440, 434, 693, 694,
D9/690; D6/515; D23/238; 222/321.1-321.9,
222/282, 251; 221/63

See application file for complete search history.

(56) **References Cited**

U.S. PATENT DOCUMENTS

D253,398 S *	11/1979	Niemeyer et al.	D9/448
D306,702 S *	3/1990	Turner et al.	D9/448
D320,348 S *	10/1991	Law	D9/448
D392,887 S *	3/1998	Wadsworth	D9/448
D400,103 S *	10/1998	Park	D9/448
D418,418 S *	1/2000	Wadsworth	D9/448
D419,446 S *	1/2000	Durliat	D9/448
D441,253 S *	5/2001	Chen	D9/448
D445,686 S *	7/2001	Danielo et al.	D9/448

D466,017 S *	11/2002	Kuo	D9/448
D499,966 S *	12/2004	Arminak	D9/448
D505,326 S *	5/2005	Costa	D9/448
D516,175 S *	2/2006	Ng	D23/238
D528,188 S *	9/2006	Lammel et al.	D23/238
D528,911 S *	9/2006	Turner	D9/448
D539,648 S *	4/2007	Arminak	D9/448

* cited by examiner

Primary Examiner—Gary D. Watson

Assistant Examiner—Susan Bennett Hattan

(74) *Attorney, Agent, or Firm*—Myers Dawes Andras & Sherman LLP;; Joseph C. Andras

(57) **CLAIM**

We claim the ornamental design for a liquid disinfectant dispenser, as shown and described.

DESCRIPTION

FIG. 1 is a perspective view of the liquid disinfectant dispenser of the present invention within the environment of an exemplary bottle shown in broken lines and forming no part of the claimed design;

FIG. 2 is a top plan view thereof;

FIG. 3 is a bottom plan view thereof;

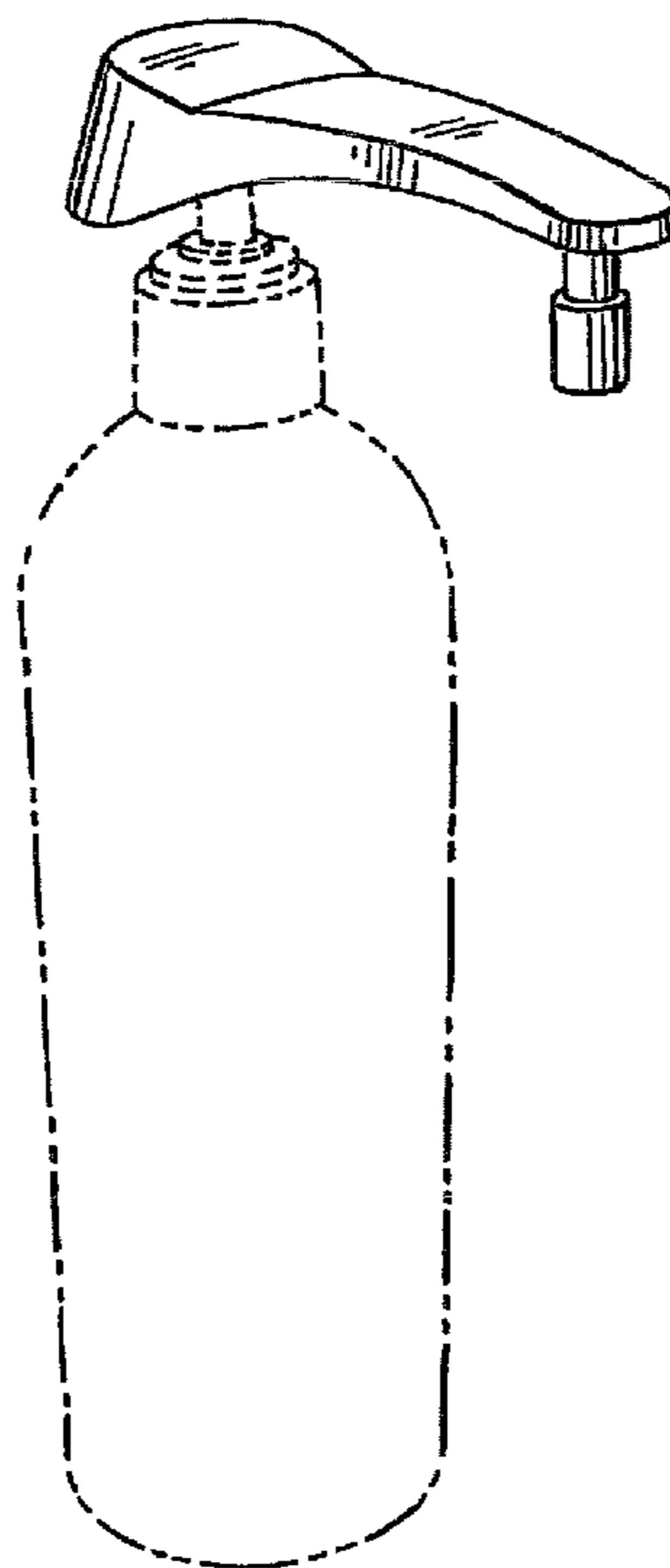
FIG. 4 is a left-side elevational view thereof;

FIG. 5 is a front elevational view thereof;

FIG. 6 is a back elevational view thereof; and,

FIG. 7 is a right-side elevational view thereof.

1 Claim, 4 Drawing Sheets



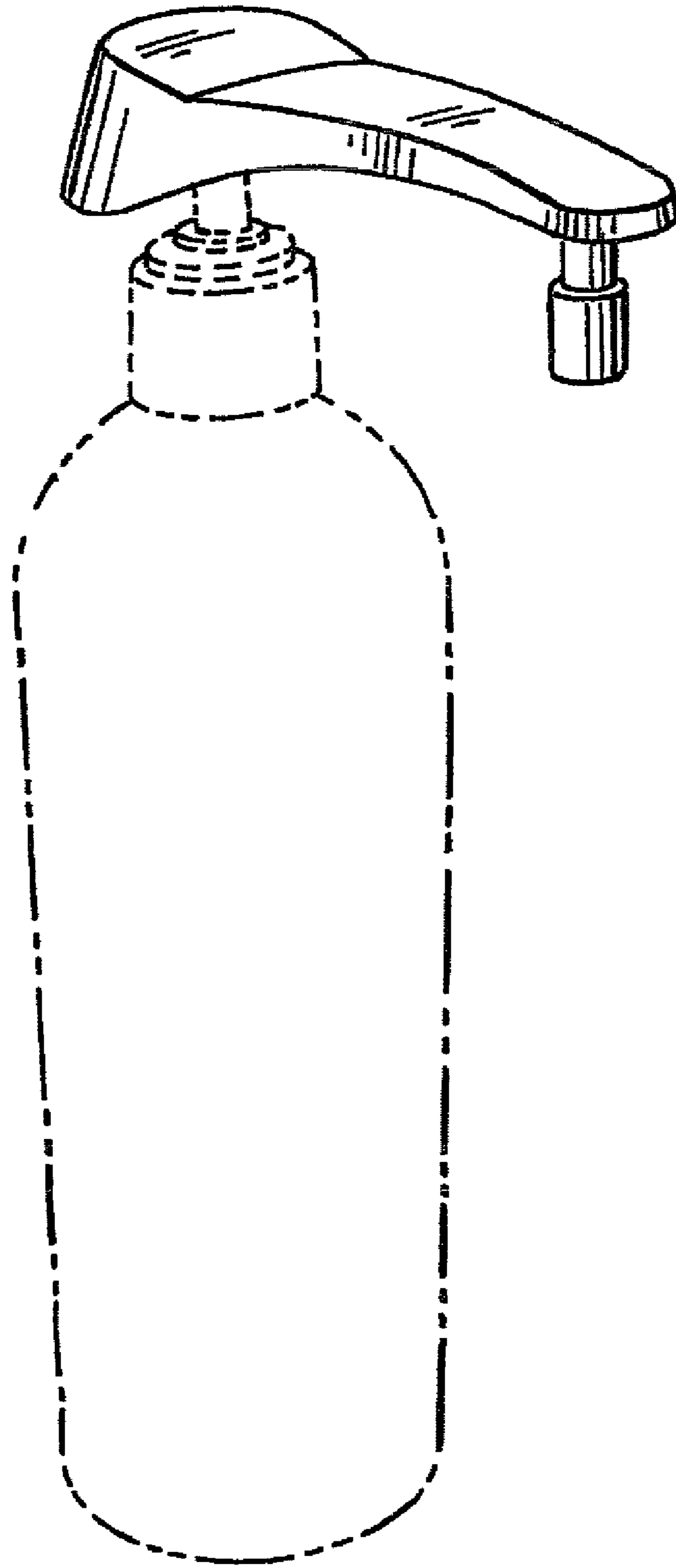


FIG. 1

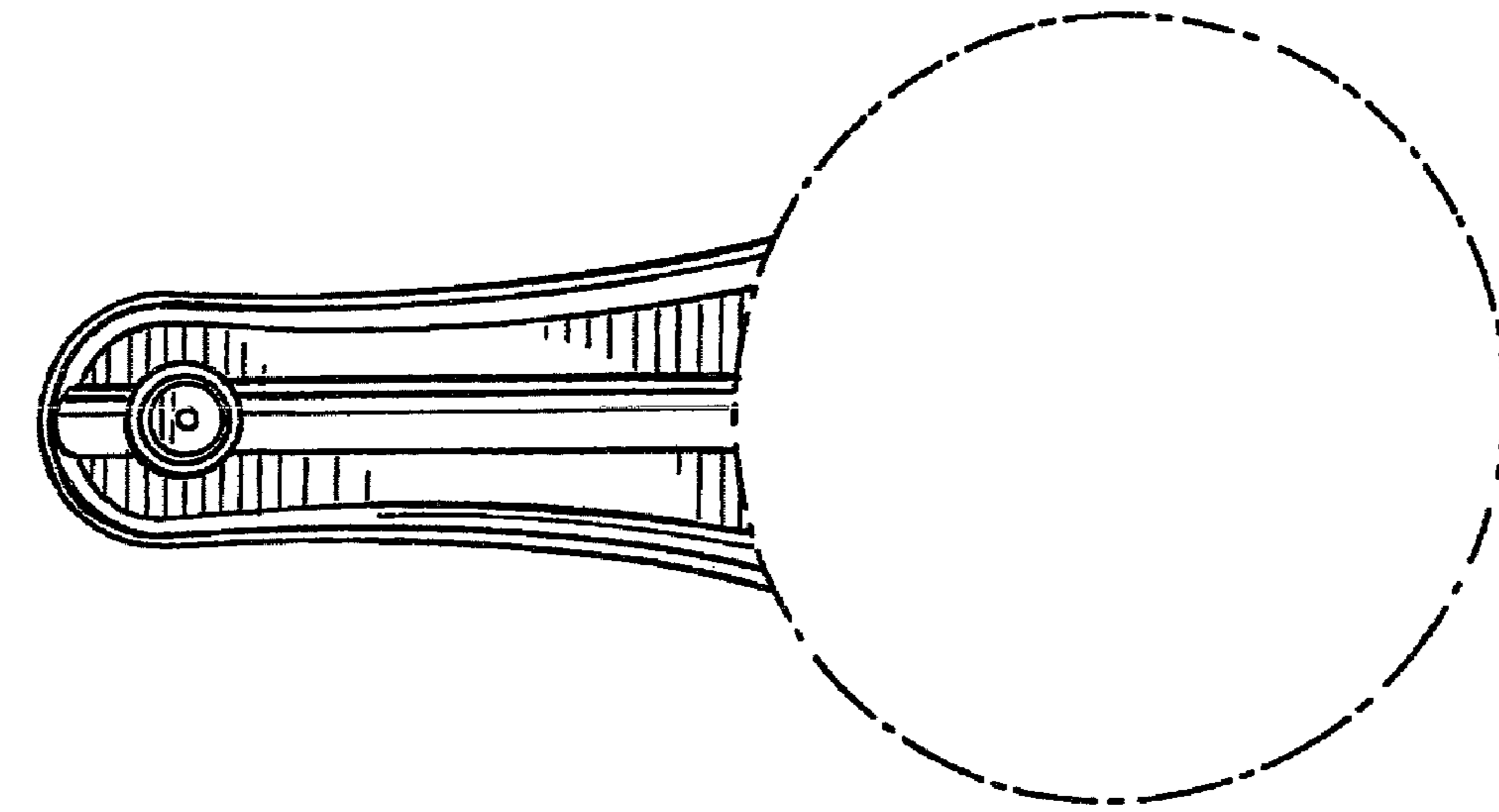


FIG. 2

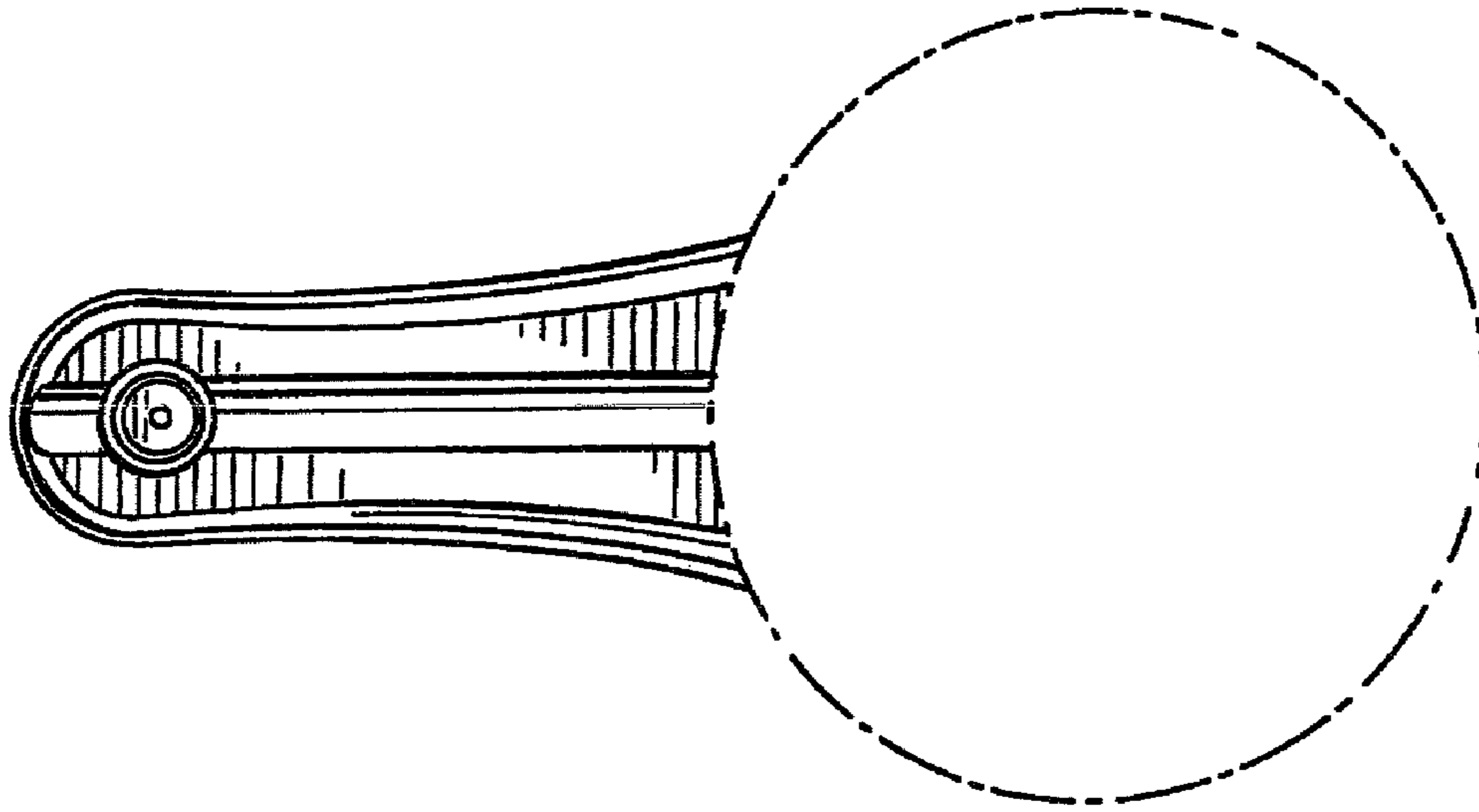
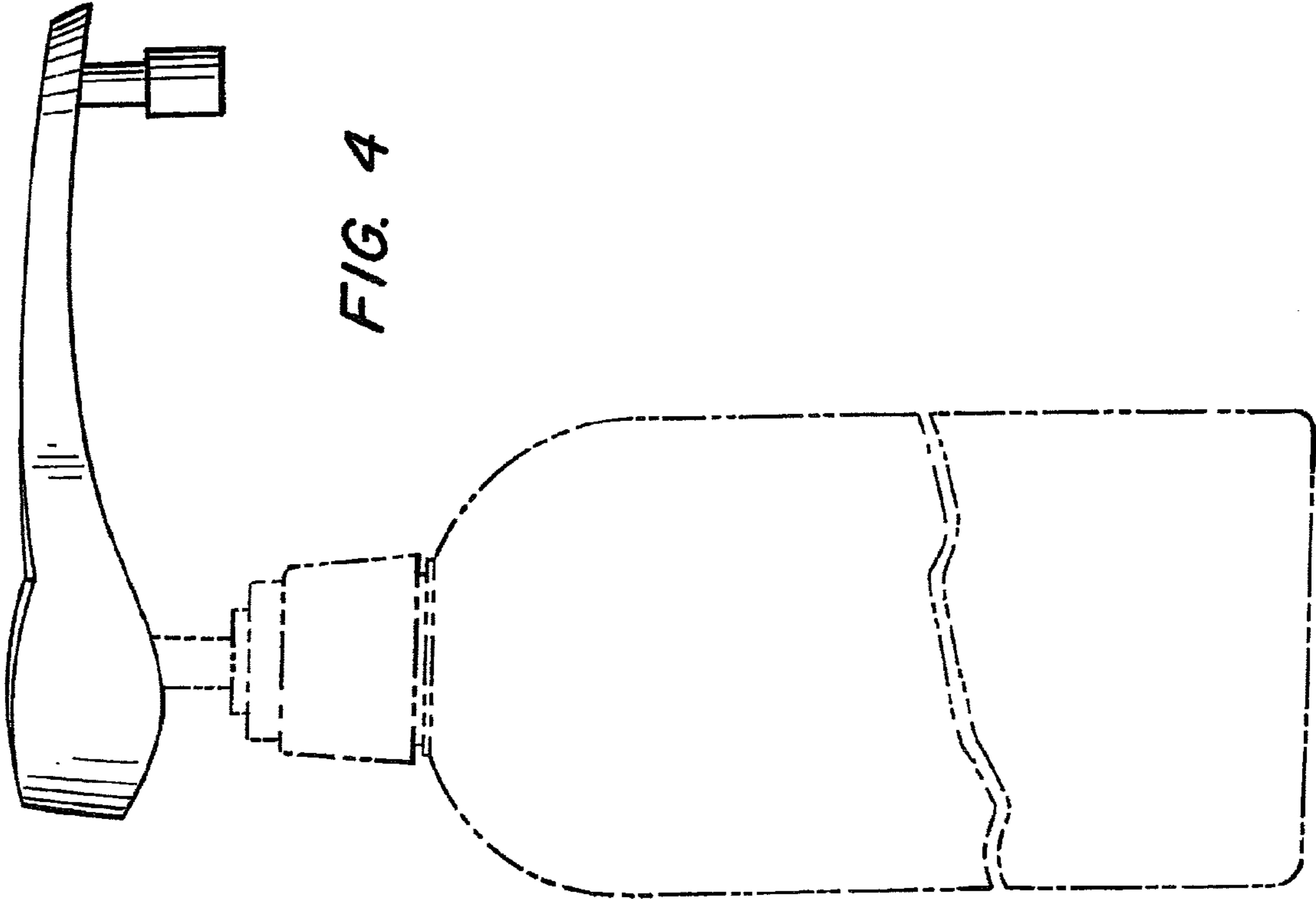
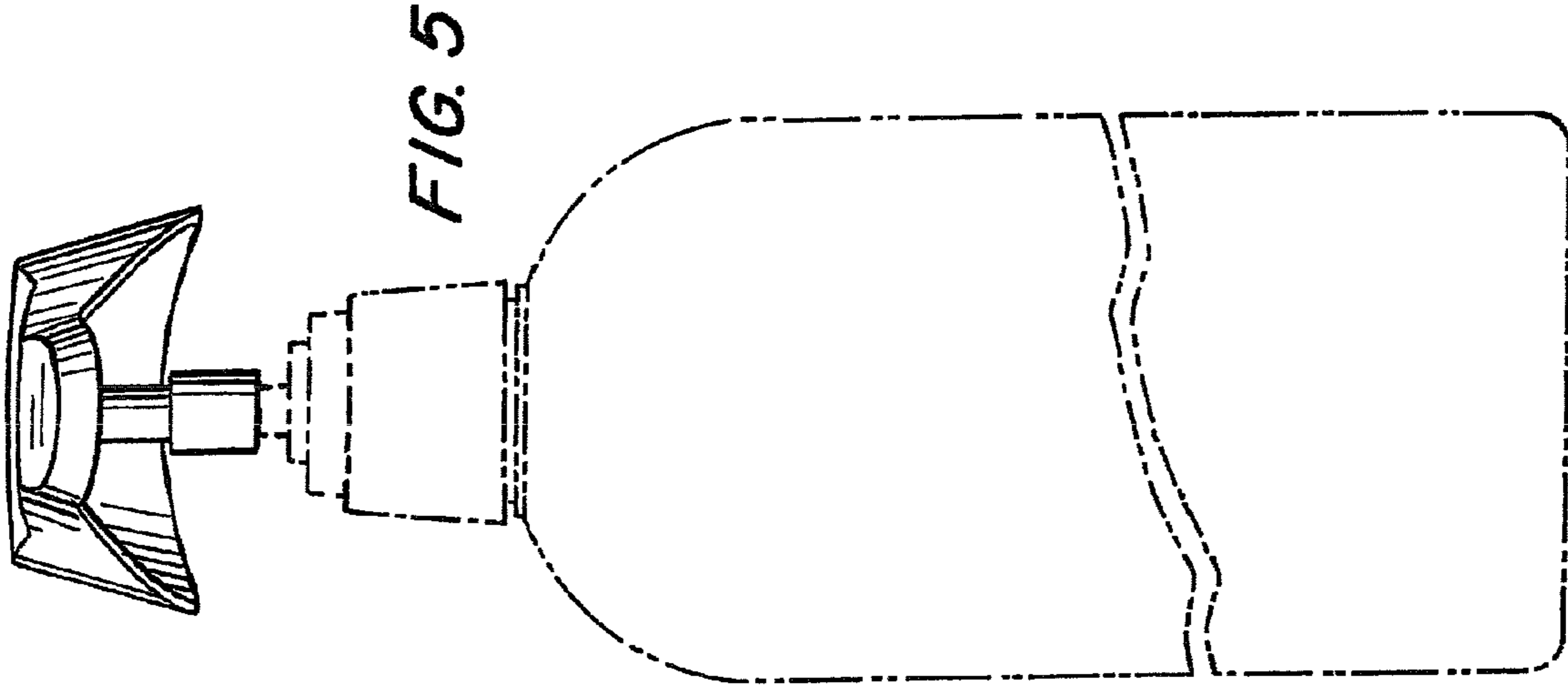


FIG. 3



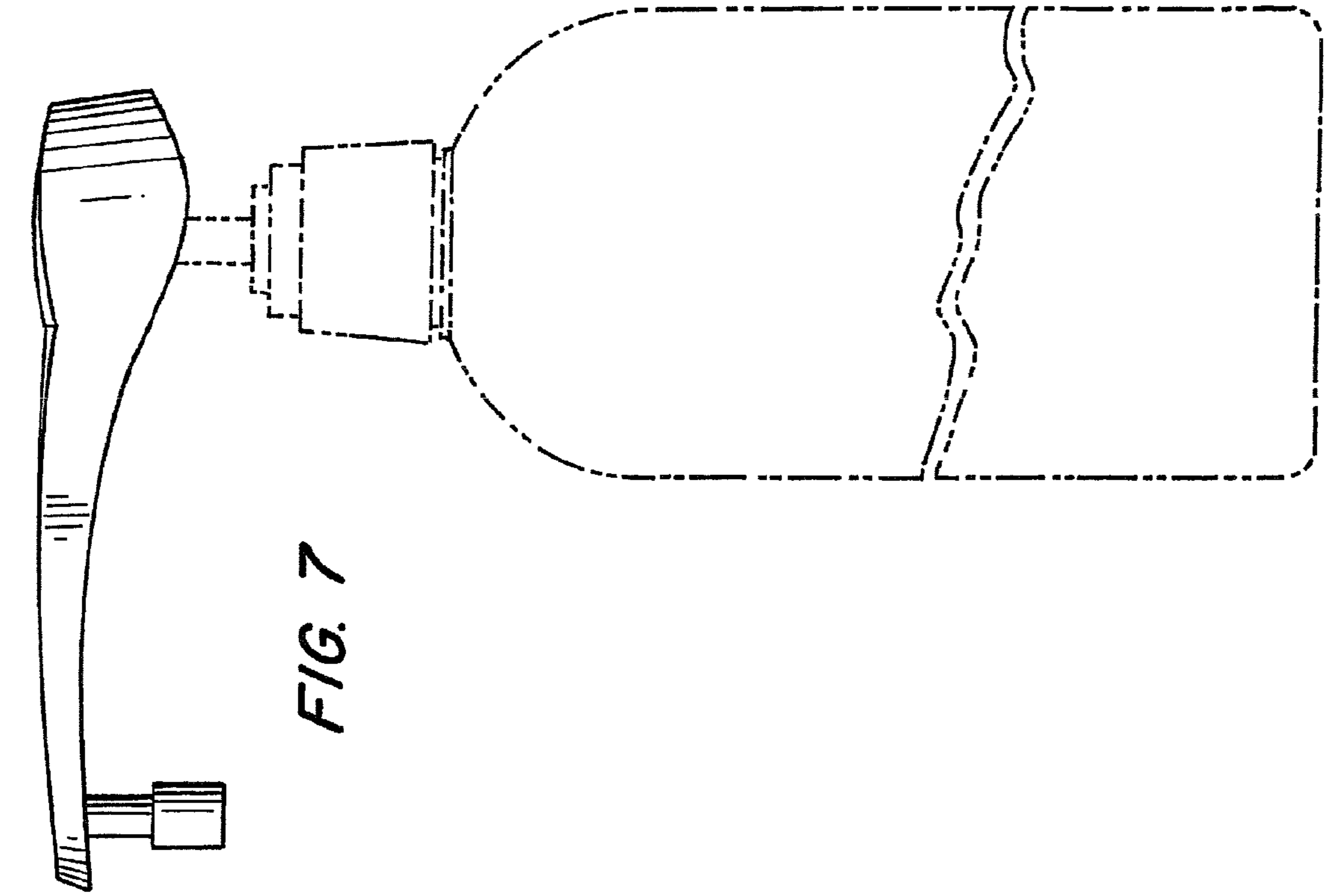


FIG. 7

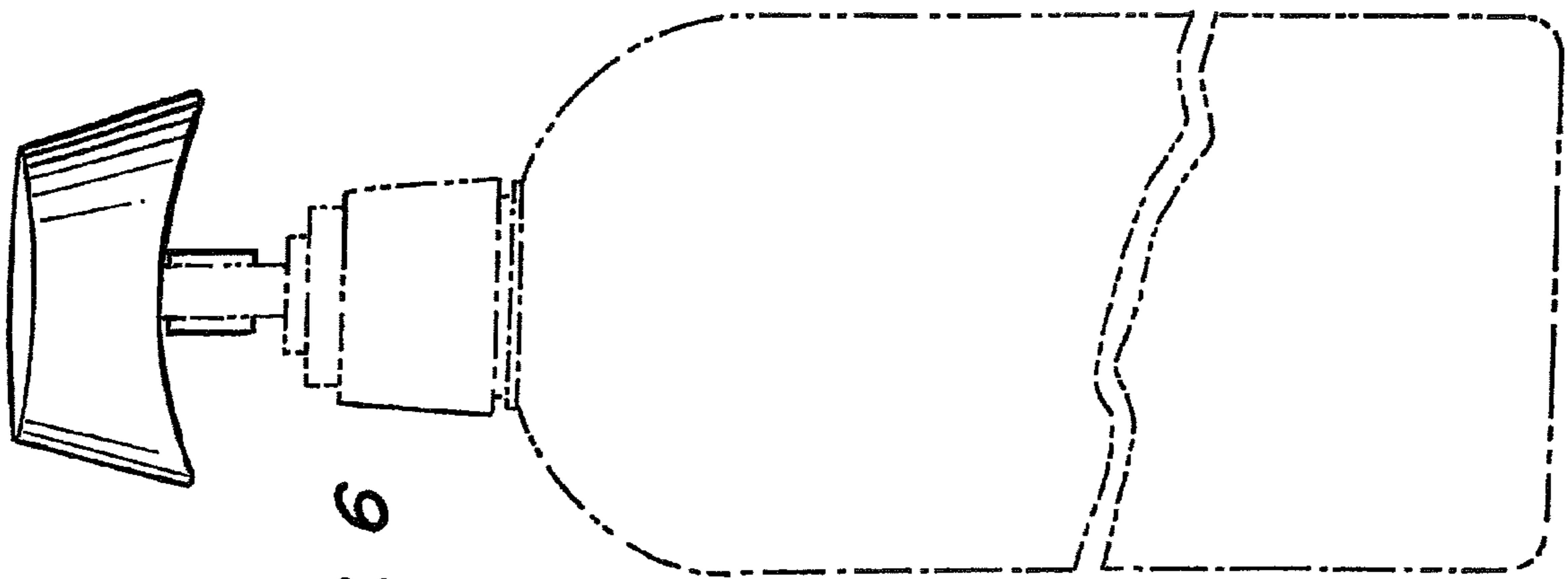


FIG. 6