

US00D567650S

(12) **United States Design Patent**
Leoncavallo et al.

(10) **Patent No.:** **US D567,650 S**
(45) **Date of Patent:** **** Apr. 29, 2008**

(54) **COLLAR FOR A BOTTLE CLOSURE**

(75) Inventors: **Richard A. Leoncavallo**, Niagara Falls, NY (US); **John D. DeLorme**, Spencerport, NY (US)

(73) Assignee: **Nalge Nunc International Corporation**, Rochester, NY (US)

(**) Term: **14 Years**

(21) Appl. No.: **29/284,026**

(22) Filed: **Aug. 29, 2007**

(51) **LOC (8) Cl.** **09-07**

(52) **U.S. Cl.** **D9/439; D9/434**

(58) **Field of Classification Search** D9/434,
D9/435, 440, 442, 446, 447, 455; 215/235,
215/236, 294, 296, 395, 396, 399; 220/375,
220/737, 741, 742, 751; 210/472, 474; 294/31.2,
294/137, 149; D7/601, 387, 393, 394, 395,
D7/622, 619.1

See application file for complete search history.

(56) **References Cited**

U.S. PATENT DOCUMENTS

364,334 A	6/1887	Brink et al.	
2,217,765 A	10/1940	Murdock	
2,254,682 A *	9/1941	Hutaff, Jr.	215/254
2,953,271 A *	9/1960	Hohl et al.	215/224
4,054,221 A *	10/1977	Glover	215/235
4,262,802 A *	4/1981	Laauwe	206/540
D265,060 S *	6/1982	Blank	D9/446
4,403,712 A *	9/1983	Wiesinger	220/839
5,523,236 A *	6/1996	Nuzzo	435/304.1
5,944,207 A *	8/1999	Reidenbach	215/243
6,283,318 B1	9/2001	Lee	

D478,227 S *	8/2003	Peyker	D6/468
6,766,917 B1 *	7/2004	Blewitt, III	215/252
D502,395 S *	3/2005	Blanchester	D9/434
D505,328 S *	5/2005	Chou	D9/455
D543,454 S	5/2007	Leoncavallo et al.	
2007/0108153 A1 *	5/2007	Weist	215/215

* cited by examiner

Primary Examiner—T. Chase Nelson

Assistant Examiner—Barbara B Lohr

(74) *Attorney, Agent, or Firm*—Wood, Herron & Evans, LLP

(57) **CLAIM**

The ornamental design for the collar for a bottle closure, as shown and described.

DESCRIPTION

FIG. 1 is a perspective view of a collar for a bottle closure incorporating the design of my new invention;

FIG. 2 is a front elevation view thereof;

FIG. 3 is a left side elevation view thereof, the design being depicted in a condition of use with a phantom line bottle;

FIG. 4 is a left side elevation view thereof;

FIG. 5 is a rear elevation view thereof;

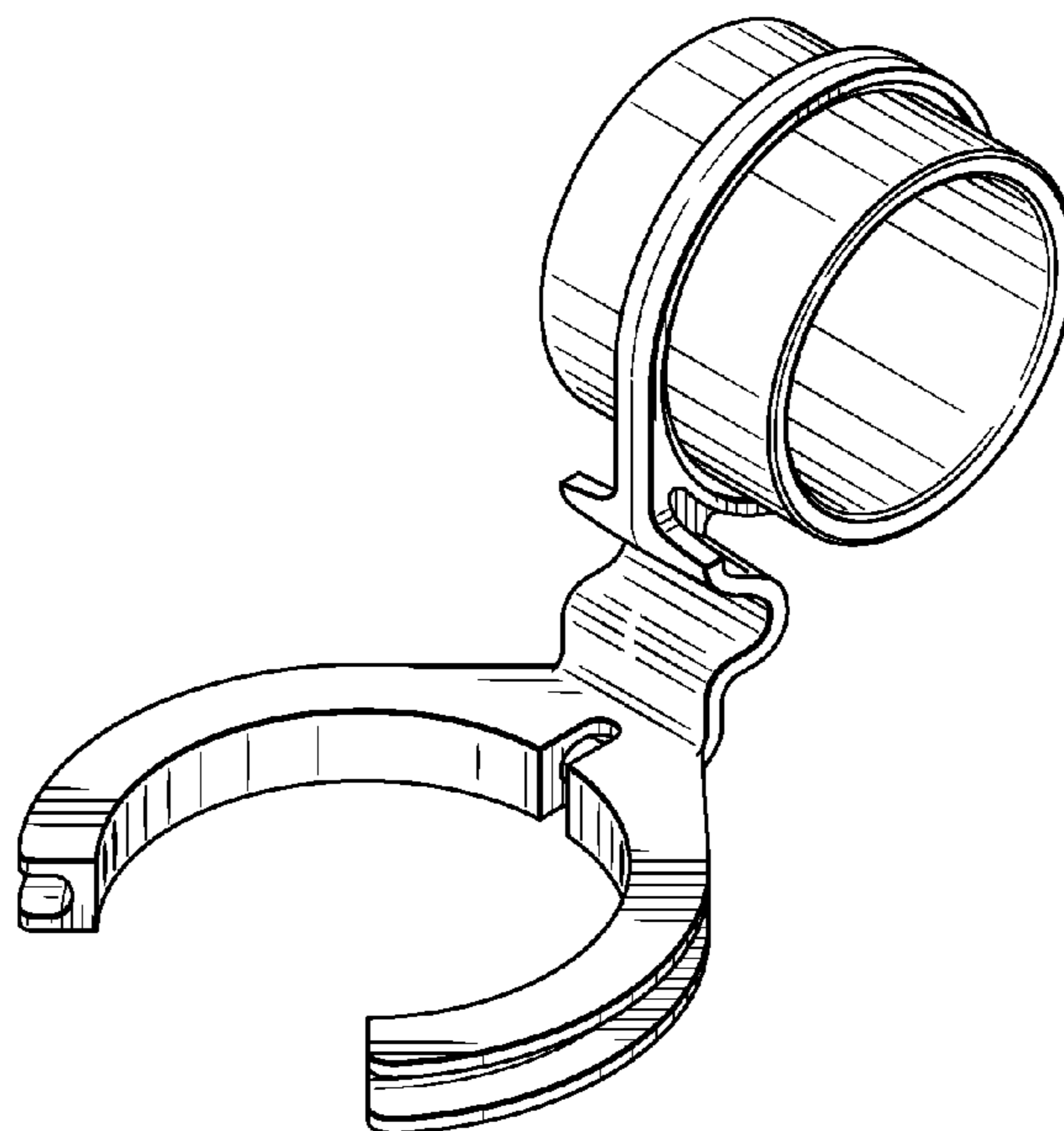
FIG. 6 is a right side elevation view thereof;

FIG. 7 is a top plan view thereof; and,

FIG. 8 is a bottom plan view thereof.

The phantom lines in FIG. 3 of the collar for a bottle closure are for illustrative purposes only and form no part of the claimed design.

1 Claim, 4 Drawing Sheets



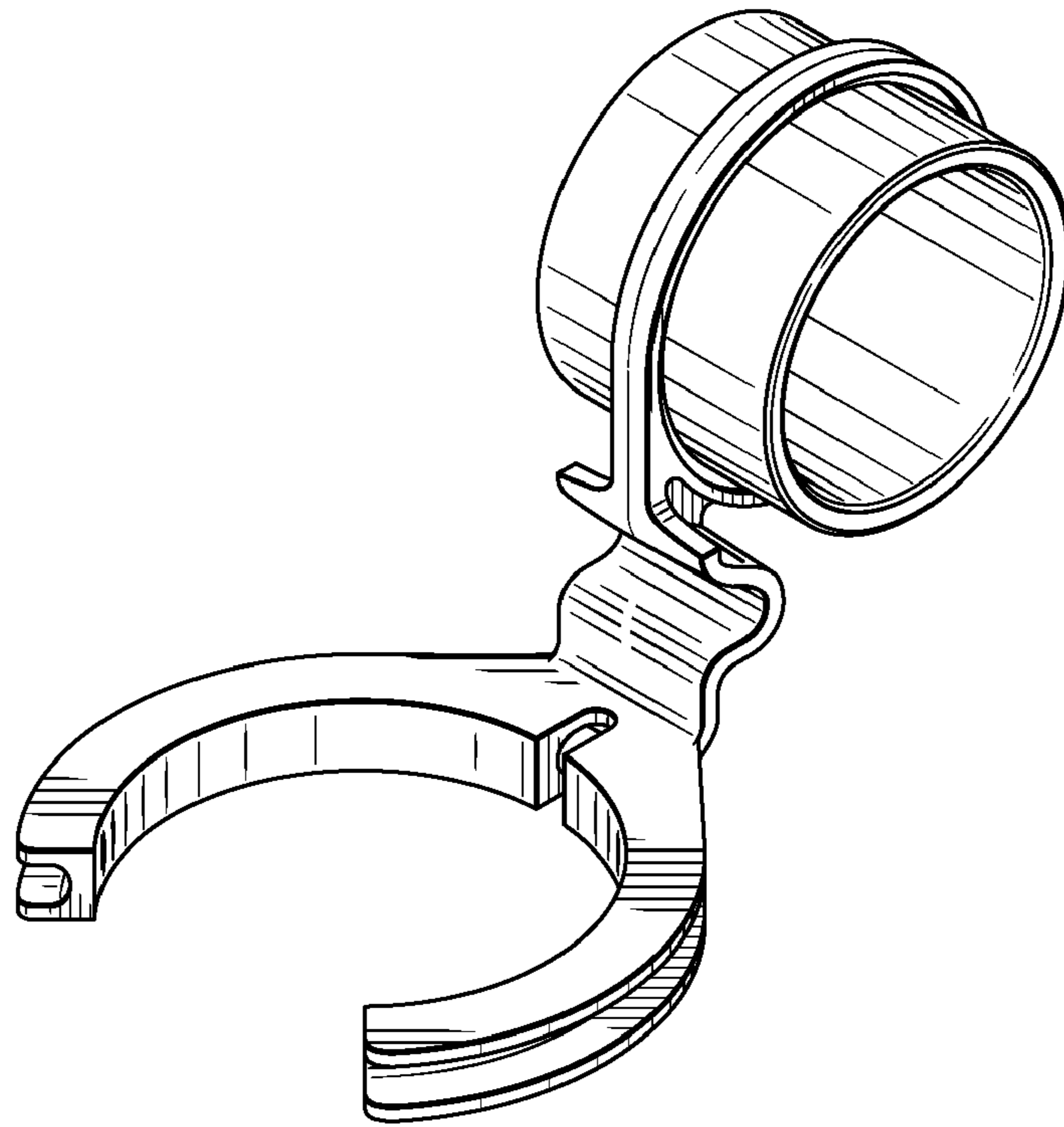


FIG. 1

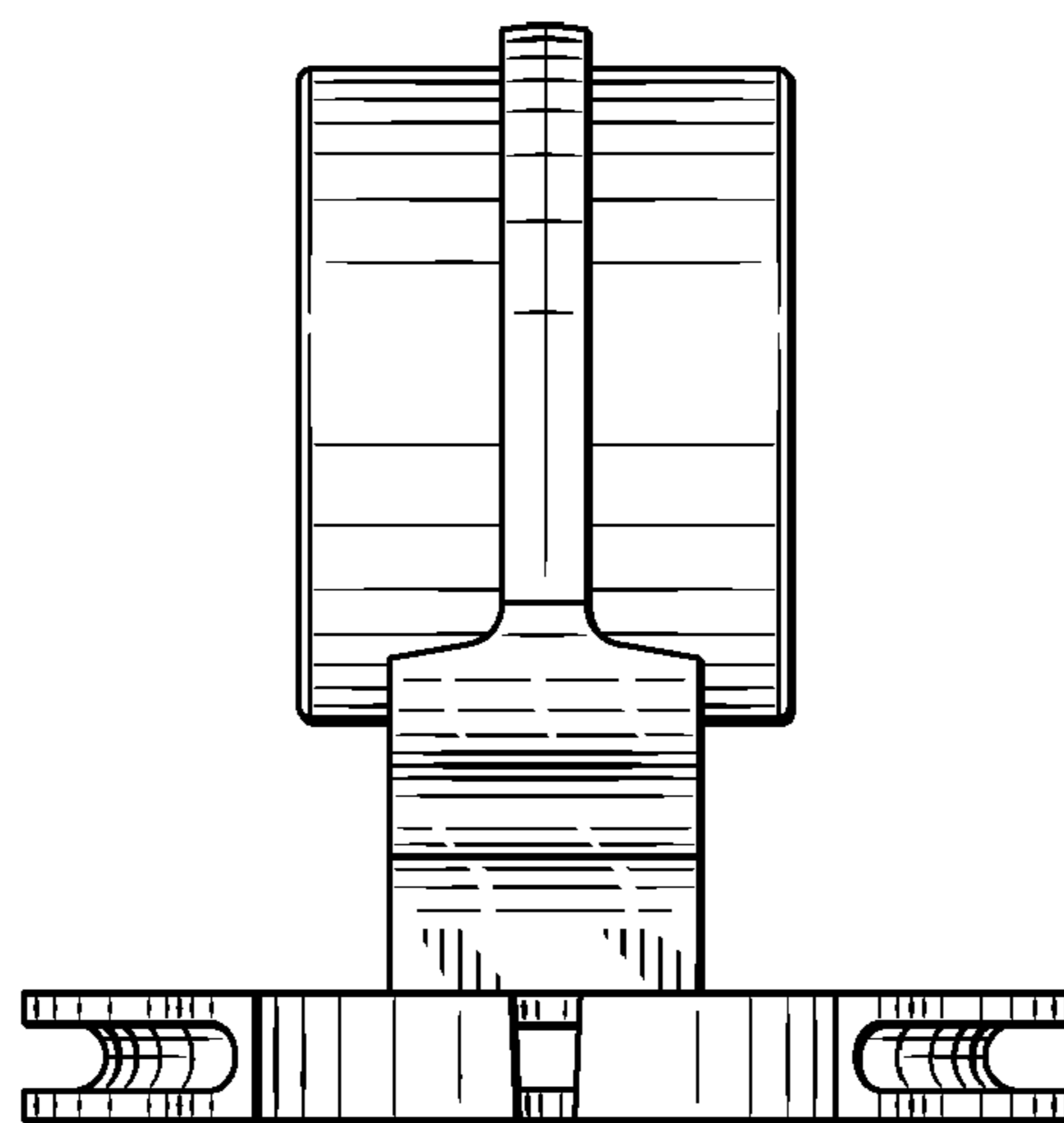


FIG. 2

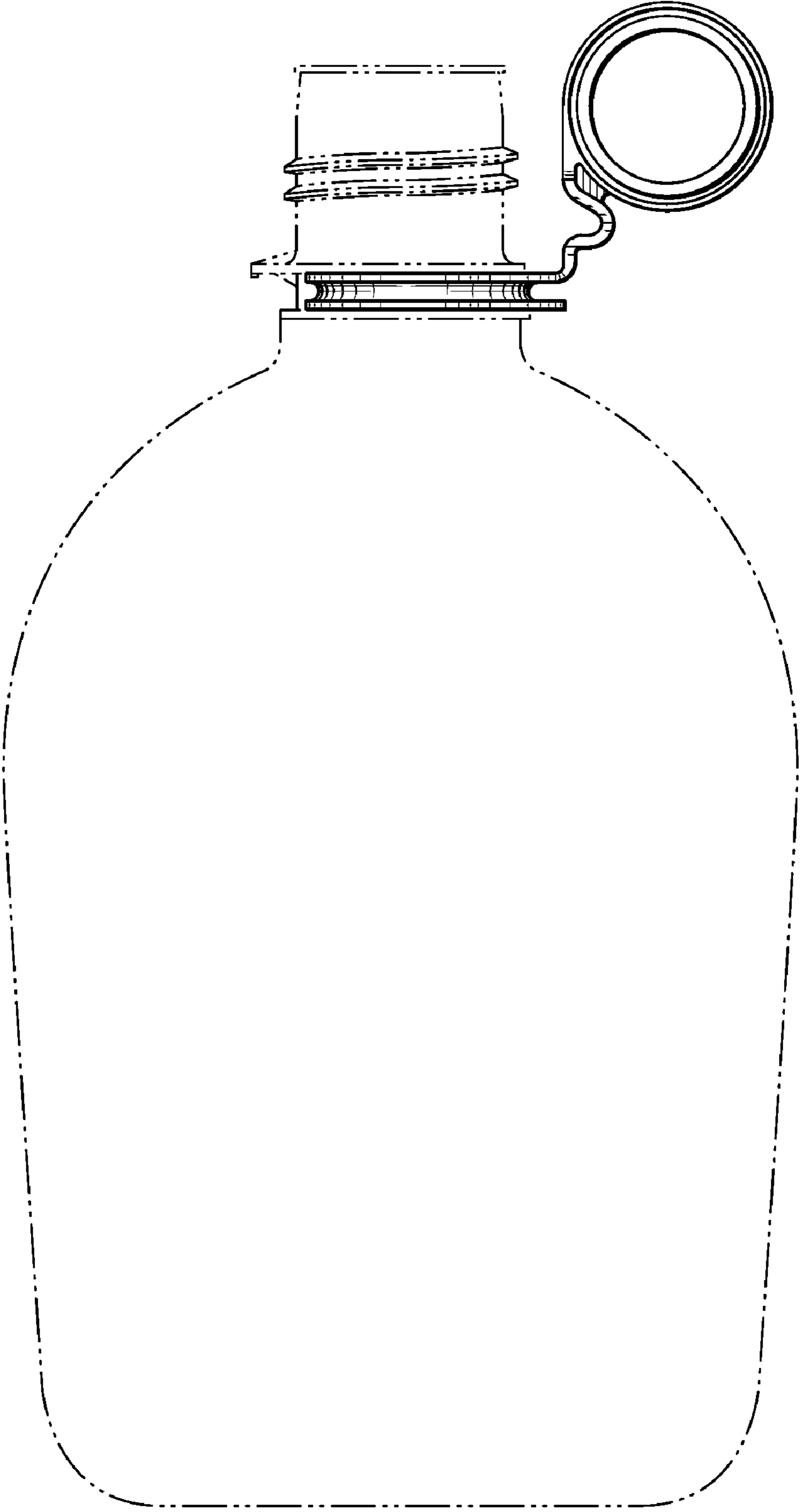


FIG. 3

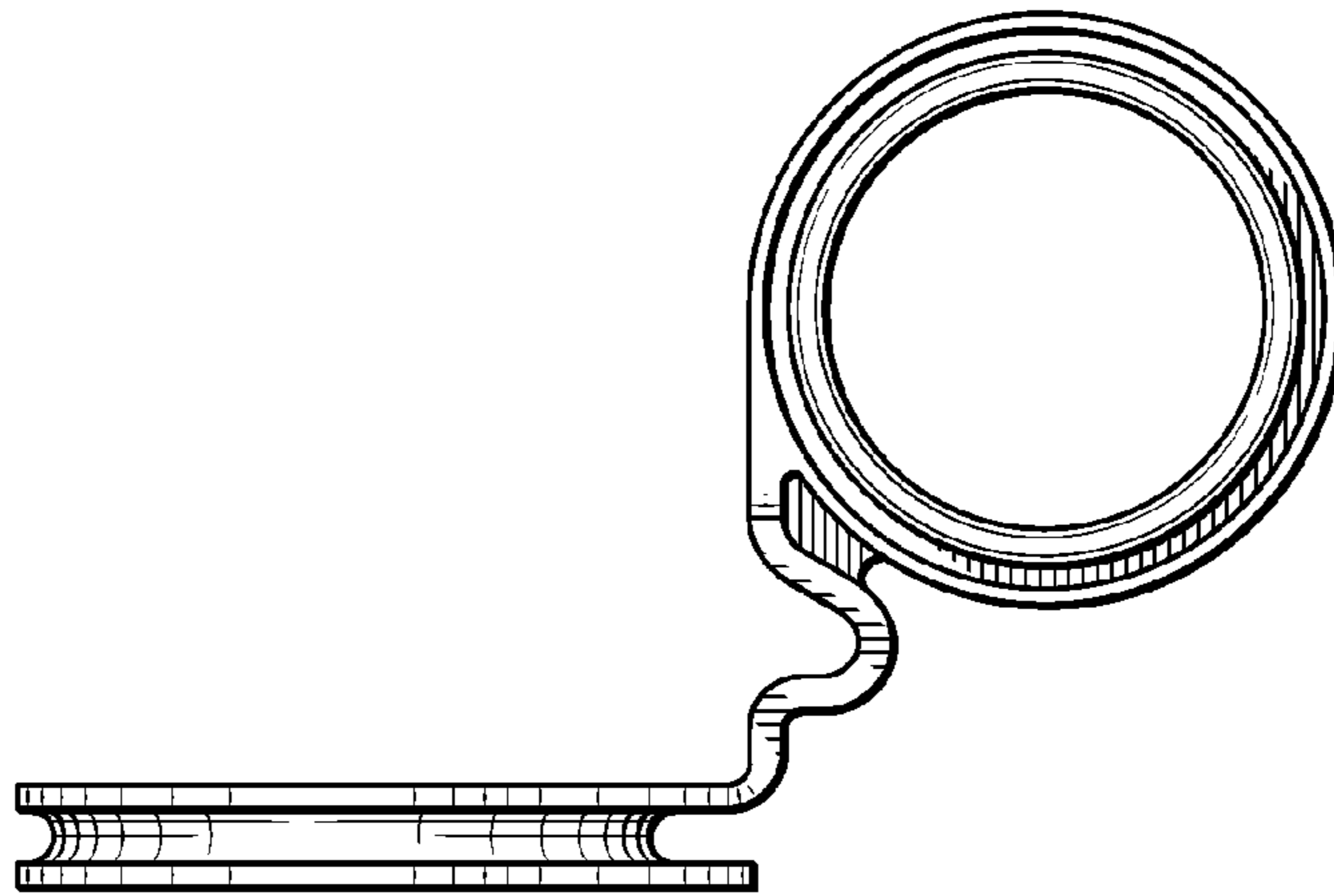


FIG. 4

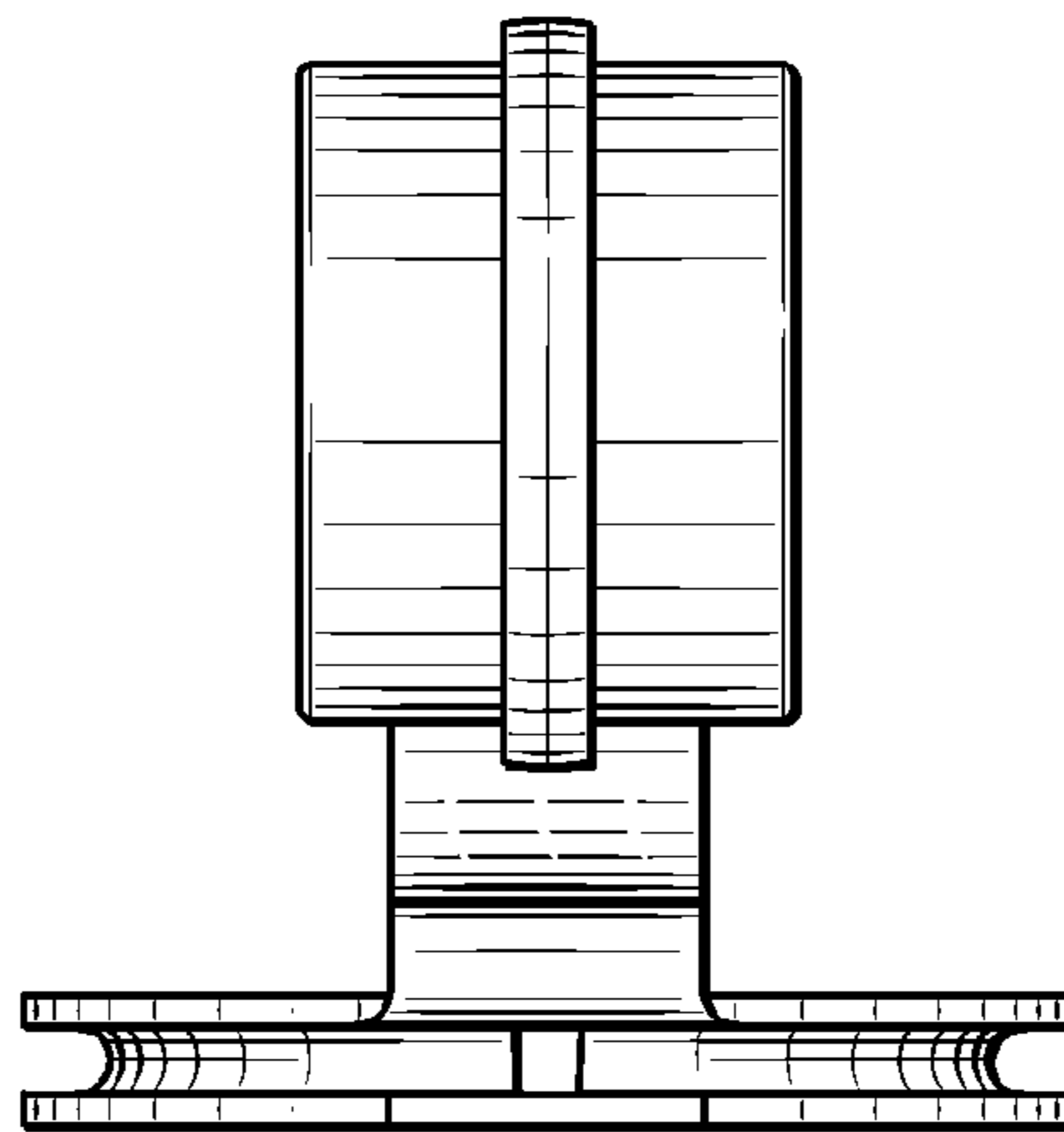


FIG. 5

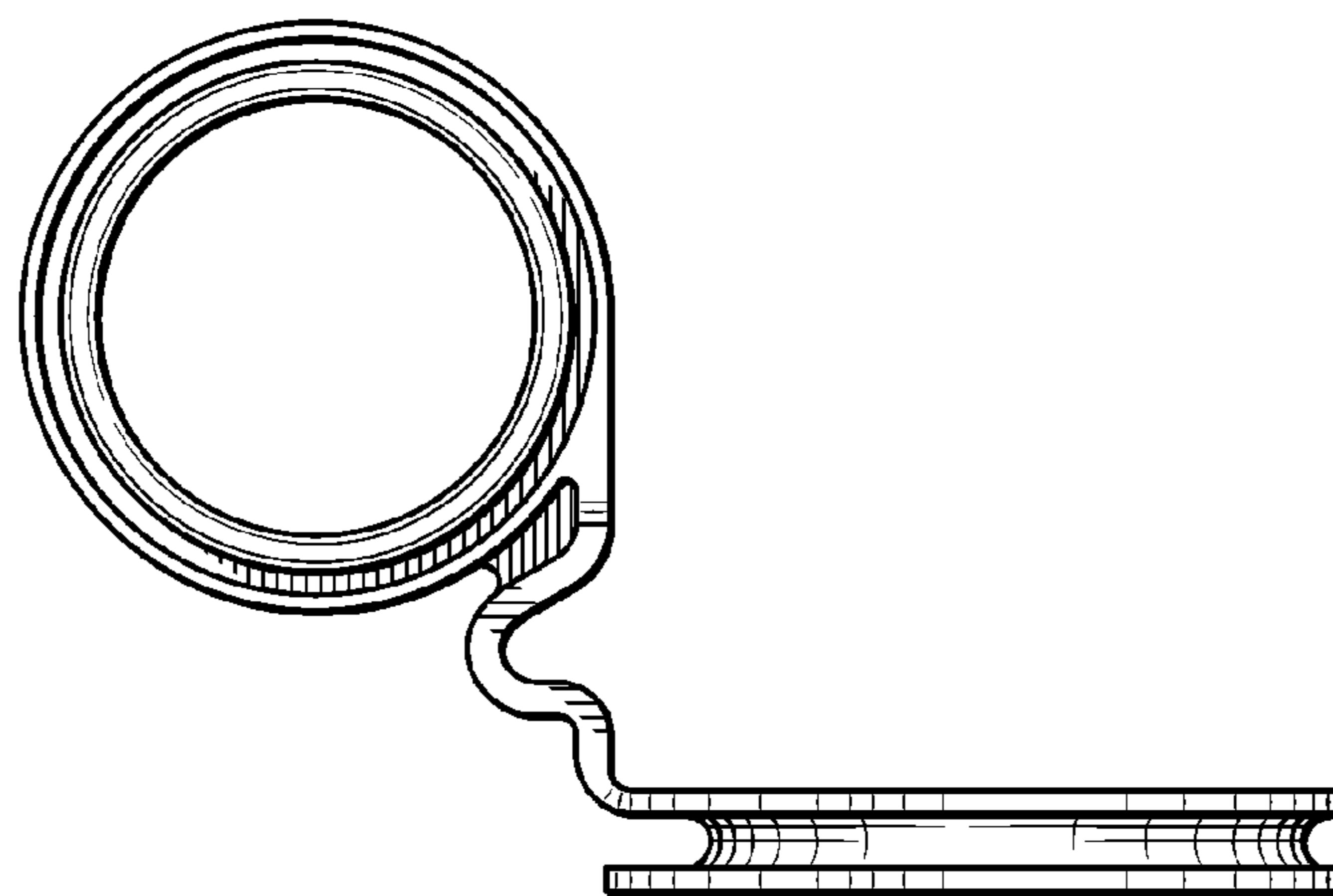


FIG. 6

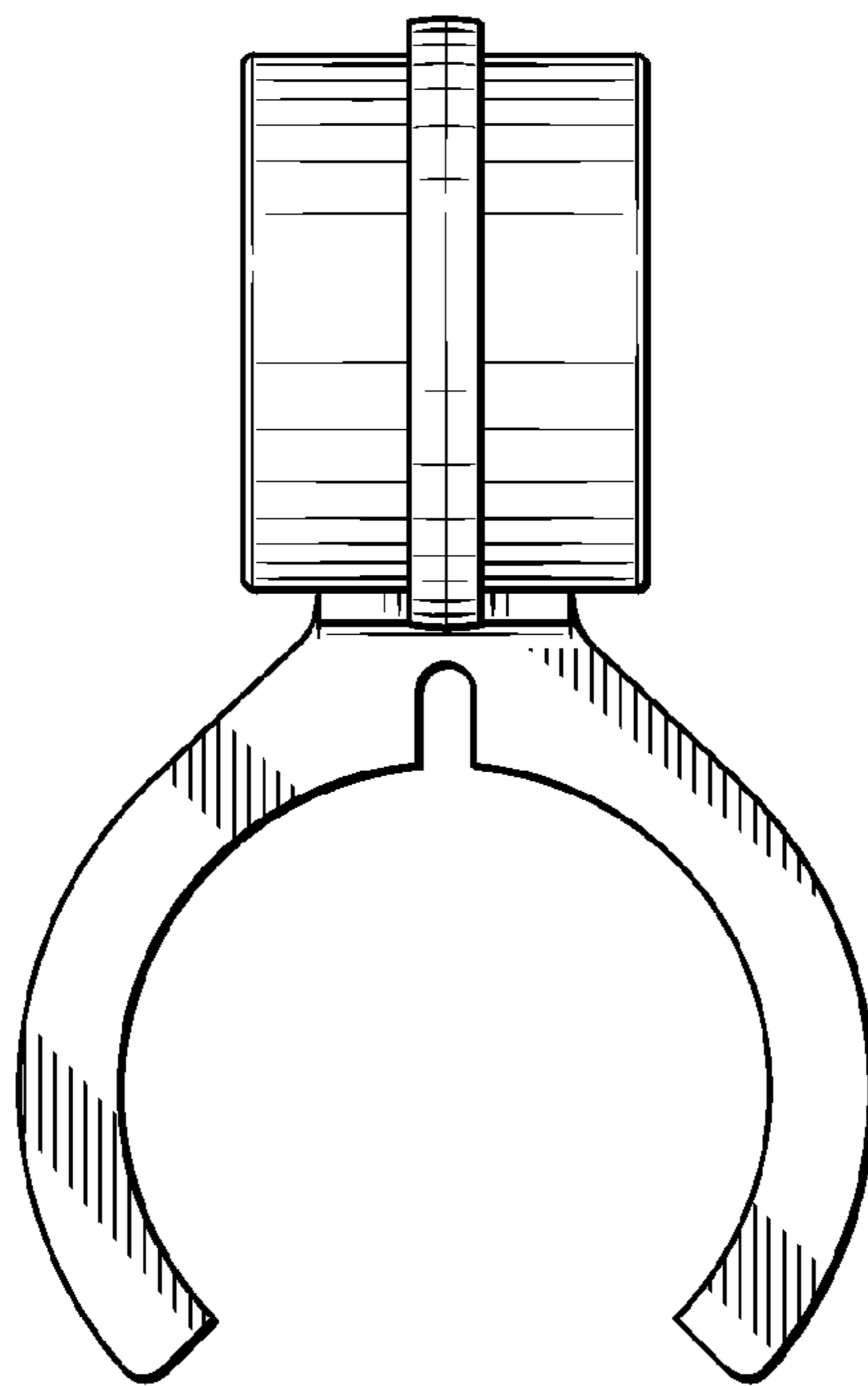


FIG. 7

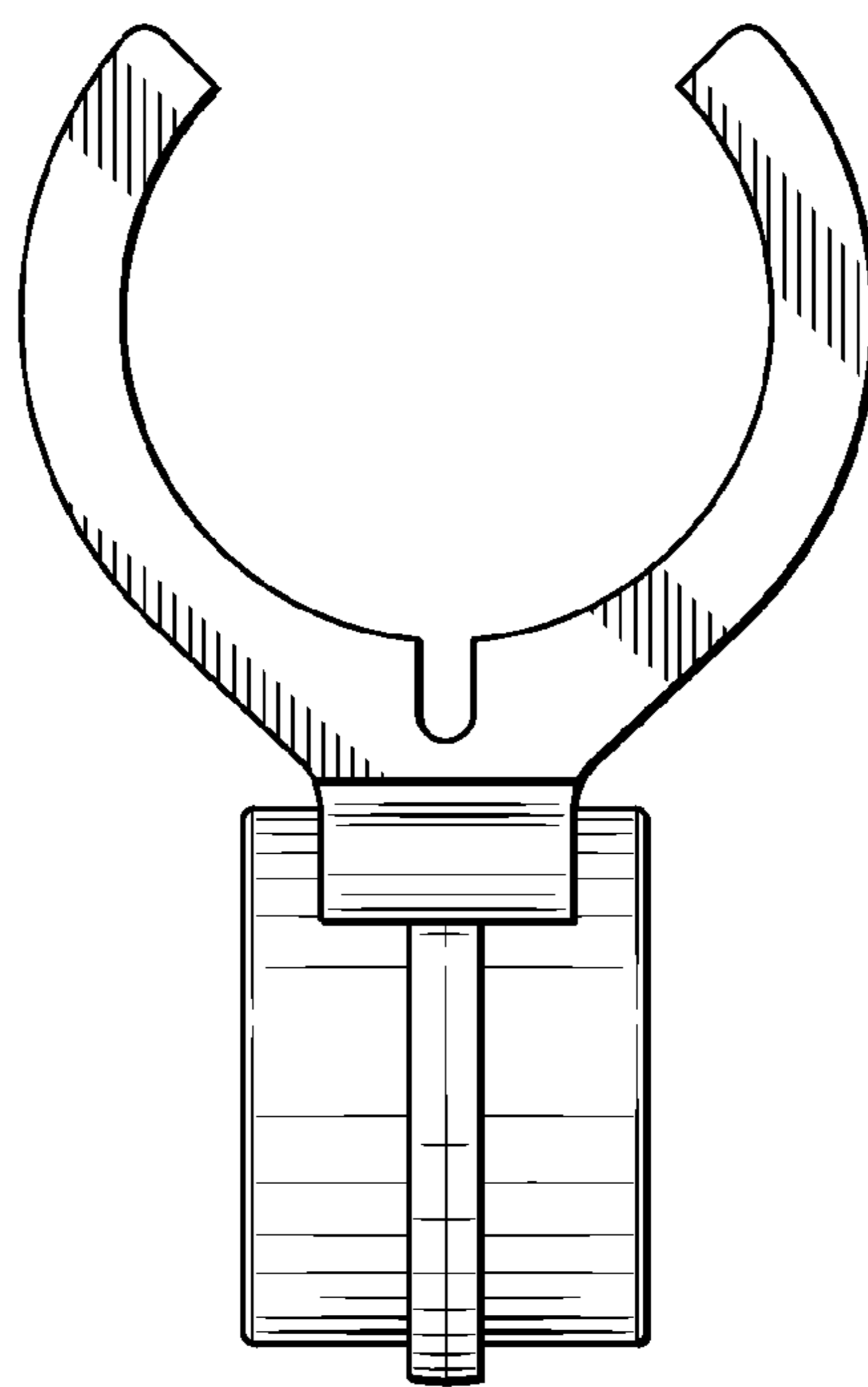


FIG. 8