



US00D567647S

(12) **United States Design Patent**
Reda

(10) **Patent No.:** **US D567,647 S**

(45) **Date of Patent:** **** Apr. 29, 2008**

(54) **PACKAGING STRIP**

(76) **Inventor:** **Ronald Reda**, 300 N. State St., Suite
4607, Chicago, IL (US) 60010

(**) **Term:** **14 Years**

(21) **Appl. No.:** **29/289,686**

(22) **Filed:** **Jul. 27, 2007**

(51) **LOC (8) Cl.** **09-05**

(52) **U.S. Cl.** **D9/415**

(58) **Field of Classification Search** D9/702,
D9/707, 713, 715, 720, 722, 737, 756, 759,
D9/761, 414, 415; 206/225, 258, 260, 390,
206/484, 524.1, 526, 534.1, 539, 806, 820,
206/459.5, 461, 466, 548, 549; 229/69, 87.05,
229/87.08, 87.01; 383/37, 38, 906; 426/106,
426/108, 112, 115, 119, 122, 72; 53/449-551
See application file for complete search history.

(56) **References Cited**

U.S. PATENT DOCUMENTS

1,413,064	A *	4/1922	Salfisberg	206/538
2,008,659	A *	7/1935	Salfisberg	383/37
2,343,064	A *	2/1944	Kjorsvik	225/106
2,385,897	A *	10/1945	Waters	53/134.1
2,600,216	A *	6/1952	Denison	426/394

4,214,661	A *	7/1980	Turetsky et al.	206/466
4,223,043	A *	9/1980	Johnson	426/122
4,298,119	A *	11/1981	Murray	206/219
4,464,156	A *	8/1984	Holmstrom	493/194
D330,326	S *	10/1992	Honeycutt	D9/722
D394,605	S *	5/1998	Skiba et al.	D9/709
6,574,944	B2 *	6/2003	Capodiecici	53/450
7,147,913	B2 *	12/2006	Iwasaki et al.	428/349
7,243,796	B2 *	7/2007	Grablick	206/460

* cited by examiner

Primary Examiner—Catherine Tuttle

(74) *Attorney, Agent, or Firm*—Seyfarth Shaw LLP

(57) **CLAIM**

The ornamental design for the packaging strip, as shown and described.

DESCRIPTION

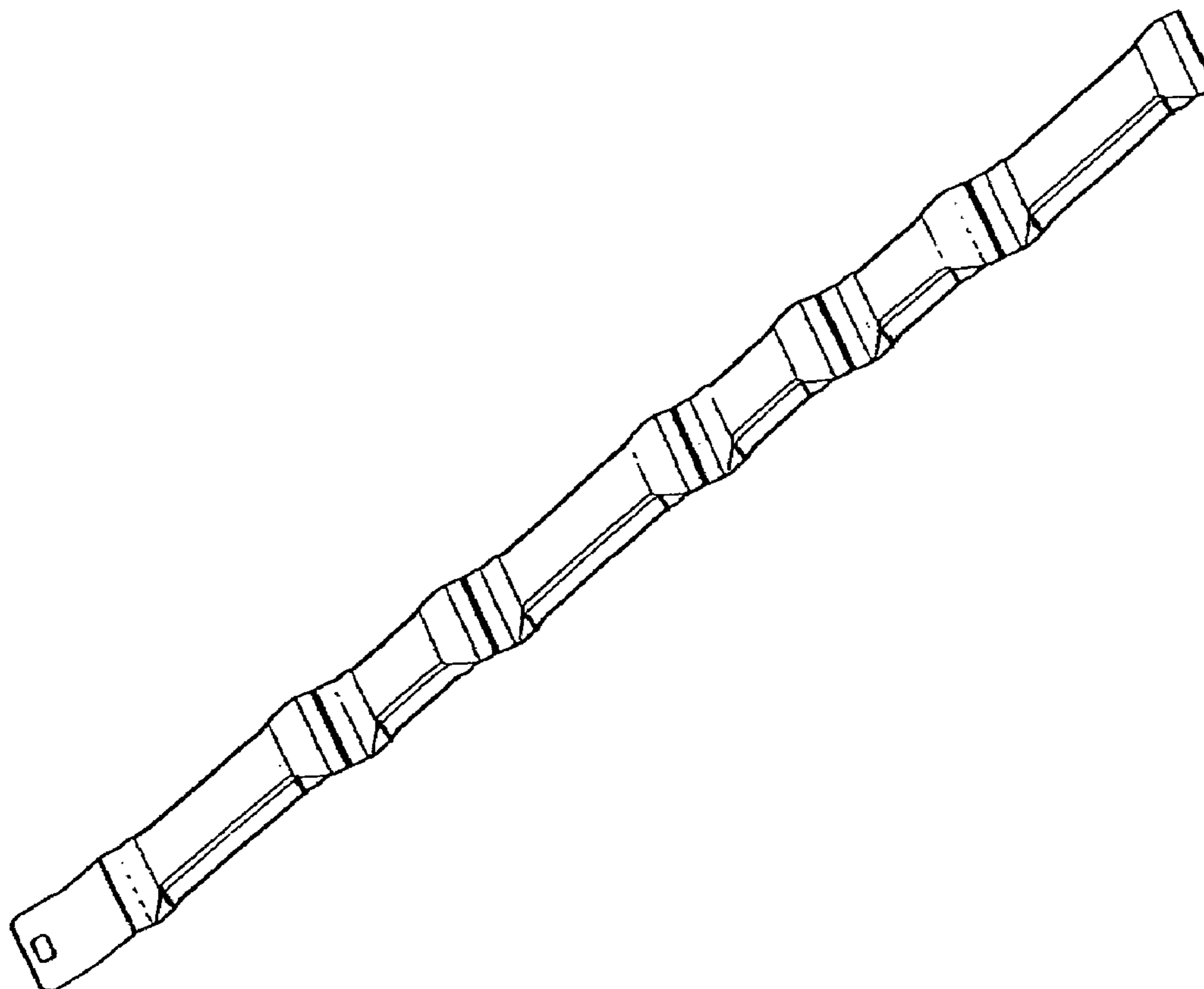
FIG. 1 is a perspective view of the packaging strip;

FIG. 2 is a right side view of the packaging strip (the left side being identical);

FIG. 3 is a top plan view of the packaging strip (the bottom view being identical); and,

FIG. 4 is a perspective view showing the design in a bent configuration.

1 Claim, 2 Drawing Sheets



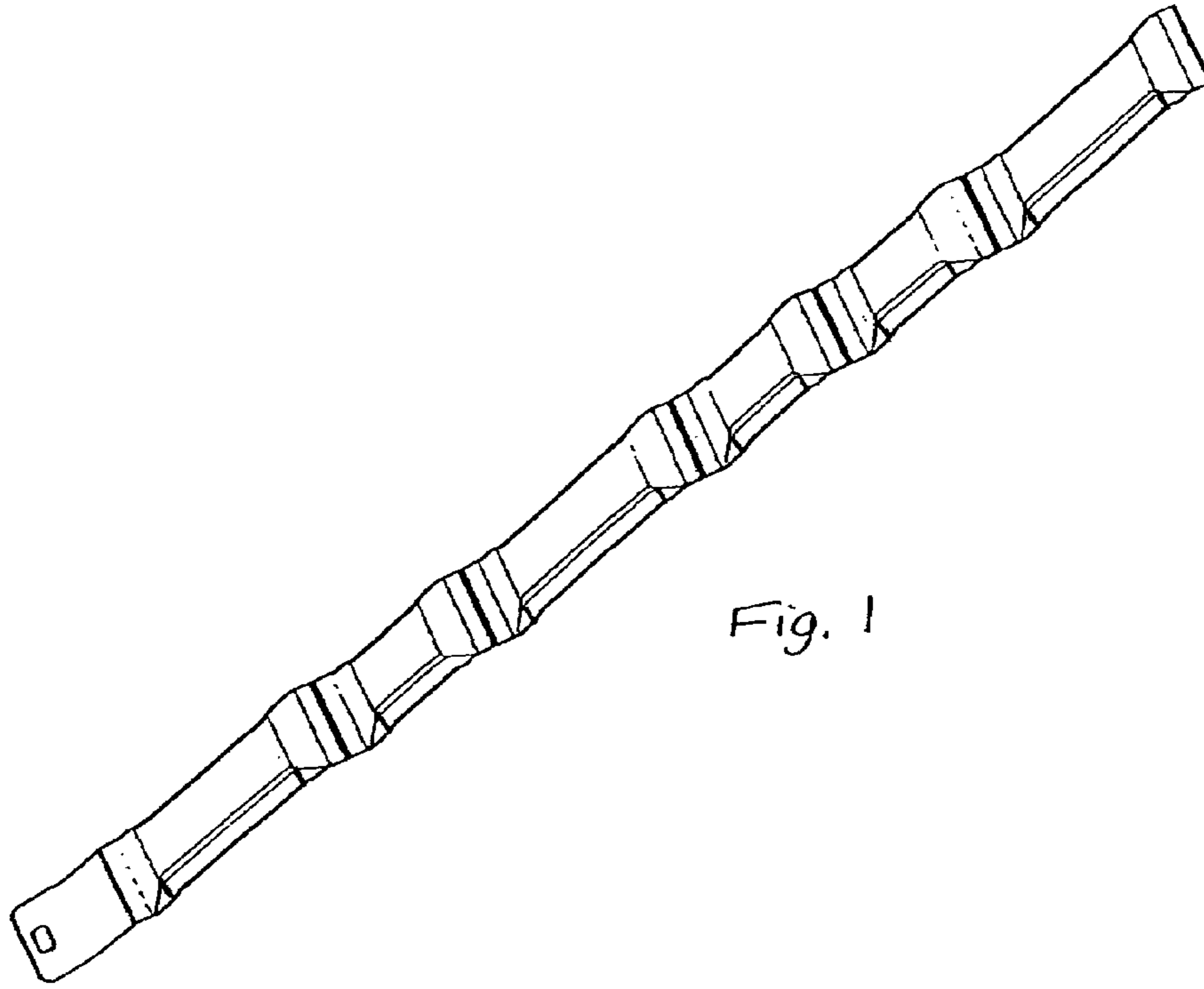


Fig. 1

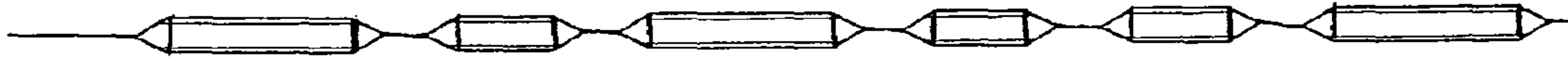


Fig. 2

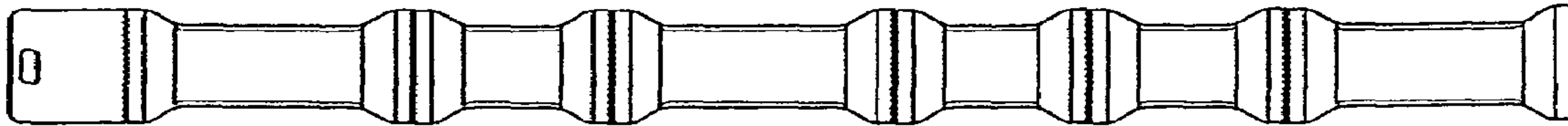


Fig. 3

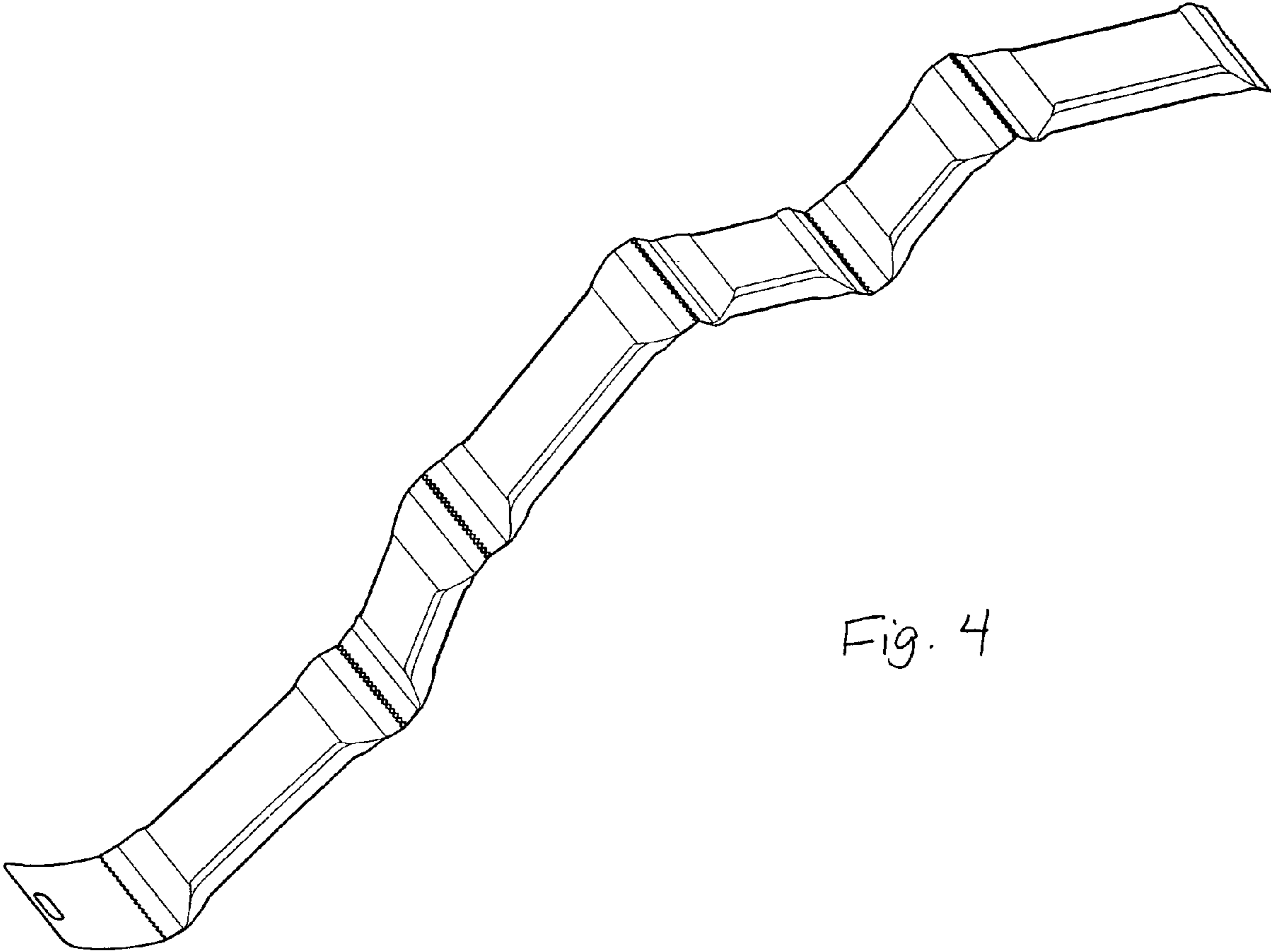


Fig. 4