



US00D567646S

(12) **United States Design Patent**
Ballard

(10) **Patent No.:** **US D567,646 S**

(45) **Date of Patent:** **** Apr. 29, 2008**

(54) **DISPENSER CARTON**

(74) *Attorney, Agent, or Firm*—Erickson & Kleypas, LLC

(76) Inventor: **Richard Ballard**, 4915 W. 157th Pl.,
Overland Park, KS (US) 66224

(57) **CLAIM**

The ornamental design for a dispenser carton, as shown and described.

(**) Term: **14 Years**

(21) Appl. No.: **29/276,098**

(22) Filed: **Jan. 15, 2007**

DESCRIPTION

(51) **LOC (8) Cl.** **09-03**

(52) **U.S. Cl.** **D9/415; D9/417; D9/418**

(58) **Field of Classification Search** D9/715,

D9/721, 722, 730, 733, 414–433, 901; D6/512,

D6/515, 518; 206/45.21, 445.25, 45.26,

206/225, 390, 769, 775, 784, 528, 540, 806;

229/117.09, 117.12, 117.18, 117.22, 117.23,

229/121, 122, 122.1, 124, 125.08, 126, 103,

229/147, 149, 162.1; 221/305, 155

See application file for complete search history.

FIG. 1 is a front, top and right side perspective view of a dispenser carton according to the present invention with the top flap portion open to permit viewing the dispensing aperture in the top of the carton;

FIG. 2 is a rear, top and right side perspective view thereof;

FIG. 3 is a front elevational view thereof;

FIG. 4 is a rear elevational view thereof;

FIG. 5 is a top plan view thereof;

FIG. 6 is a right side elevational view thereof, the left side being a mirror image of the right side and therefore not illustrated;

FIG. 7 is a bottom plan view thereof;

FIG. 8 is a front, top perspective view of the design in a closed condition;

FIG. 9 is a front elevational view of thereof;

FIG. 10 is a top plan view thereof;

FIG. 11 is a right side elevational view thereof, the left side being a mirror image of the right side and therefore not illustrated; and,

FIG. 12 is a rear elevational view thereof.

The bottom plan view of the carton of FIG. 8 is the same as FIG. 7.

The broken lines in the drawings are for illustrative purposes only and form no part of the claimed design.

(56) **References Cited**

U.S. PATENT DOCUMENTS

1,230,401 A * 6/1917 Gold 206/495

1,806,149 A * 5/1931 Daugherty 239/57

2,629,476 A * 2/1953 Angell 194/344

2,971,688 A * 2/1961 Akers 229/126

3,392,903 A * 7/1968 Morgan, Jr. 206/45.21

3,940,055 A * 2/1976 Rowley 229/117.15

4,184,597 A * 1/1980 Gavin 229/230

5,190,200 A * 3/1993 Hammerlund 225/42

5,348,219 A * 9/1994 Brintazzoli 229/131.1

5,558,227 A * 9/1996 Hakamada 206/459.5

D422,497 S * 4/2000 Huntley D9/627

D454,062 S * 3/2002 Garrant et al. D9/415

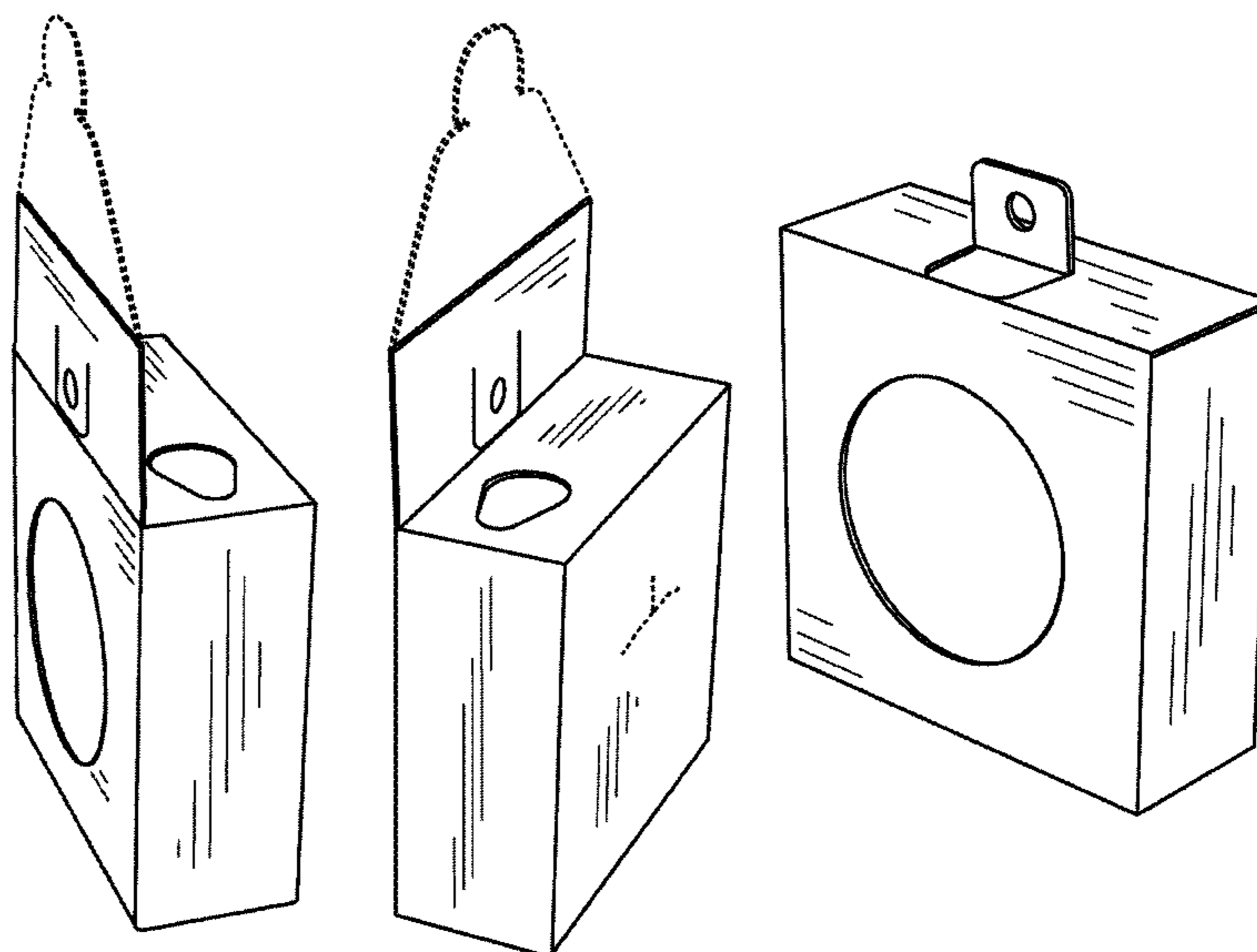
D538,676 S * 3/2007 Millen D9/642

7,243,800 B1 * 7/2007 Feibelman 206/775

* cited by examiner

Primary Examiner—Catherine Tuttle

1 Claim, 7 Drawing Sheets



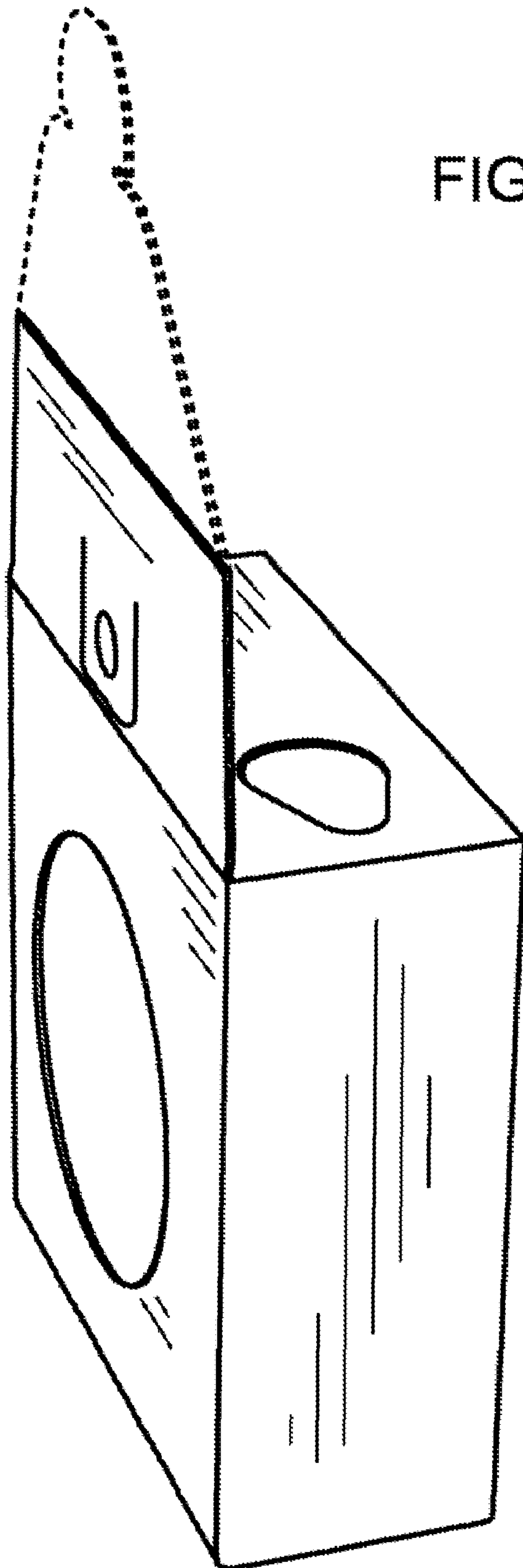


FIG. 1

FIG. 2

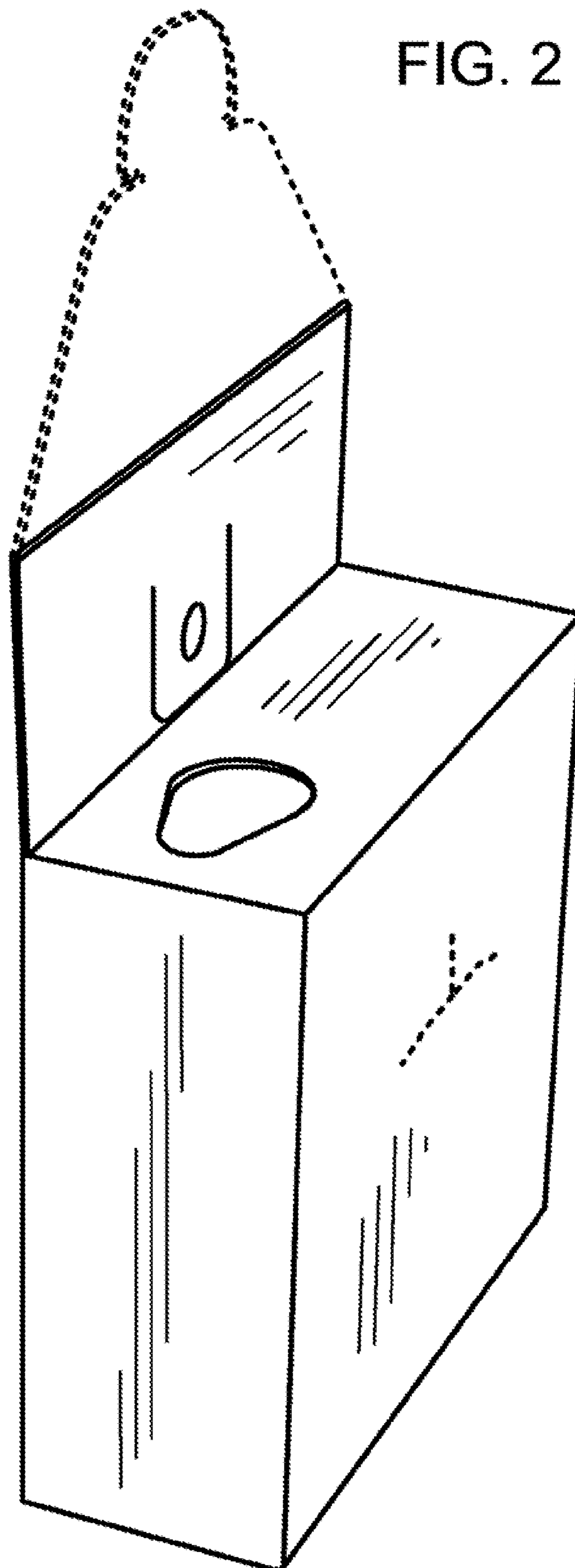


FIG. 3

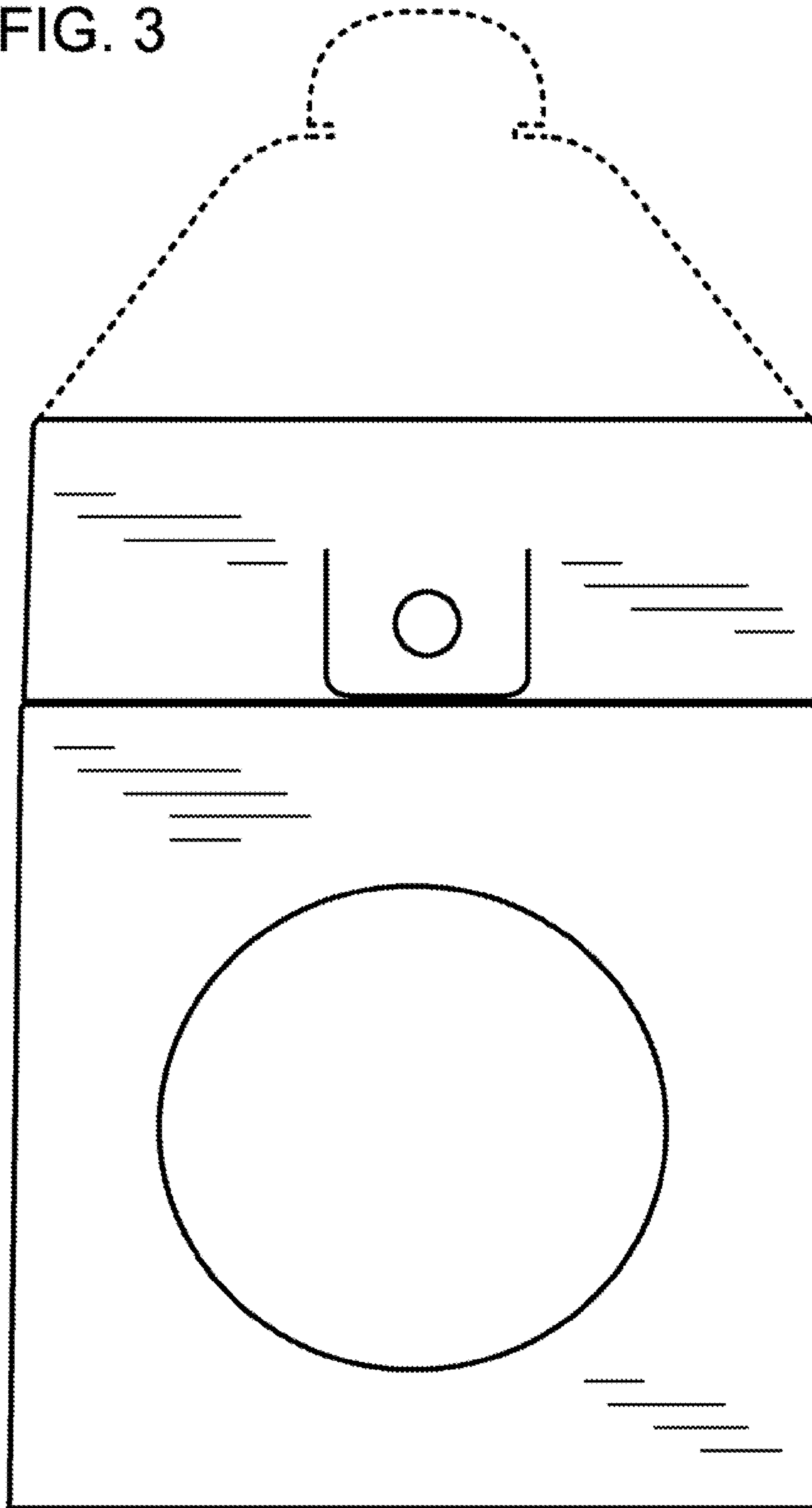


FIG. 4

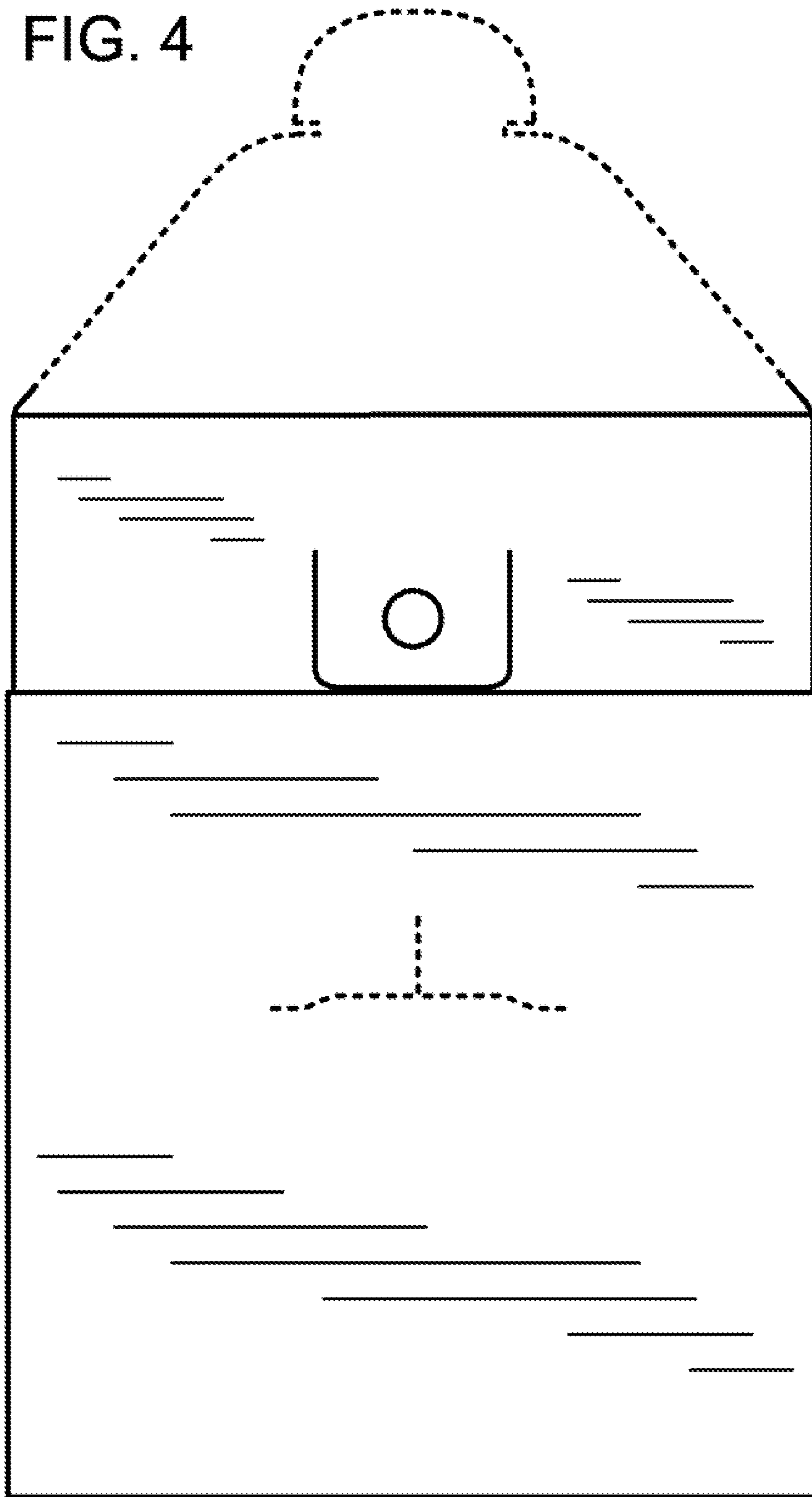


FIG. 5

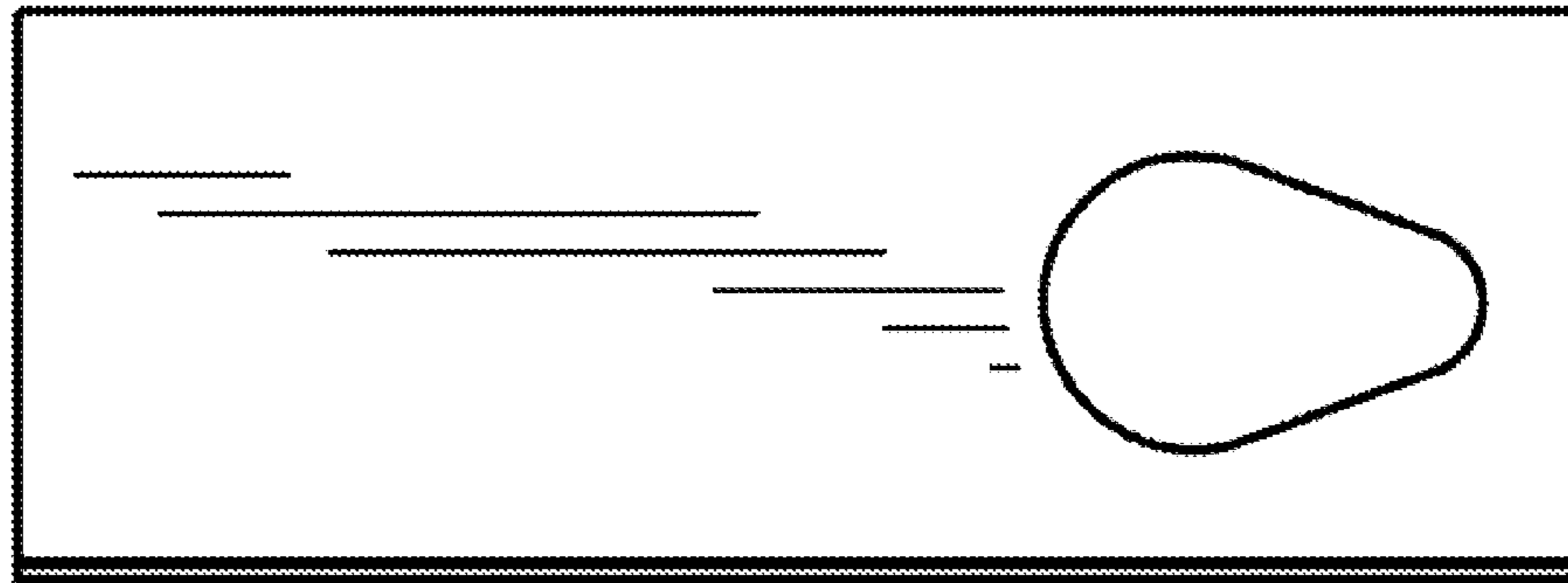


FIG. 6

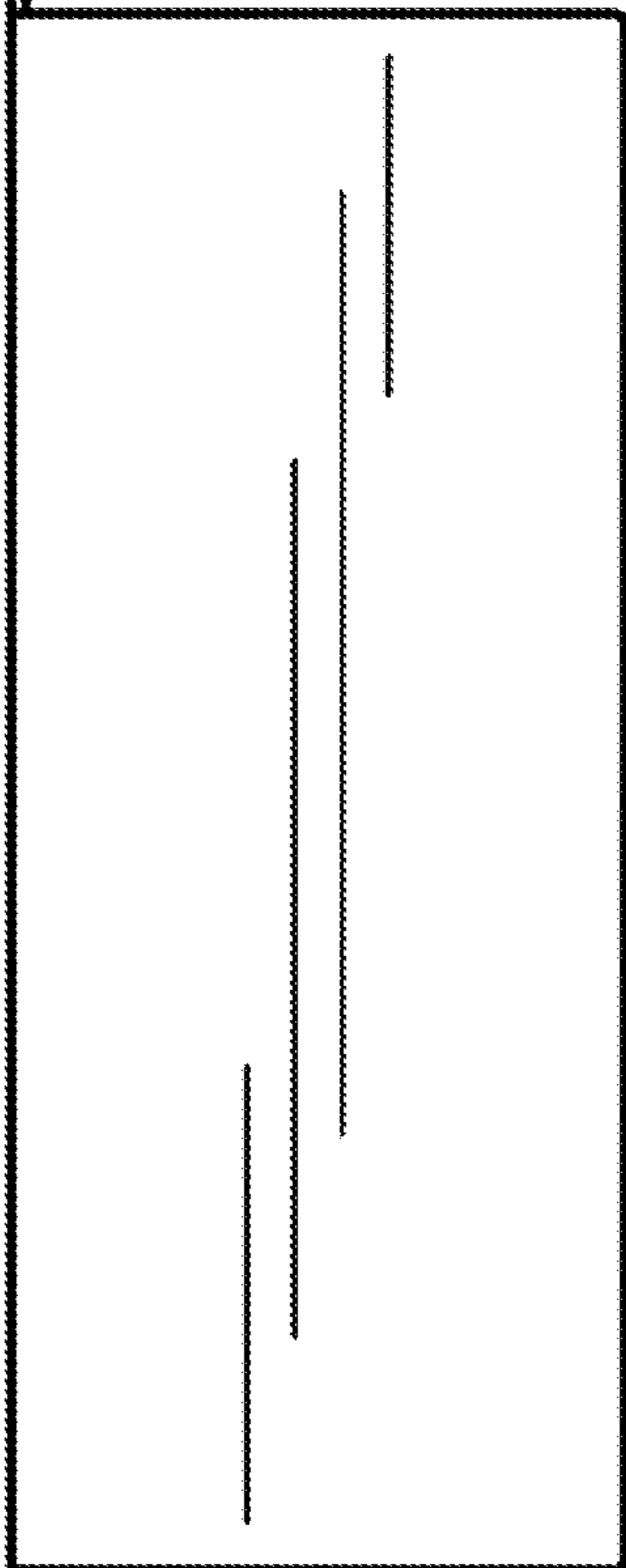


FIG. 7

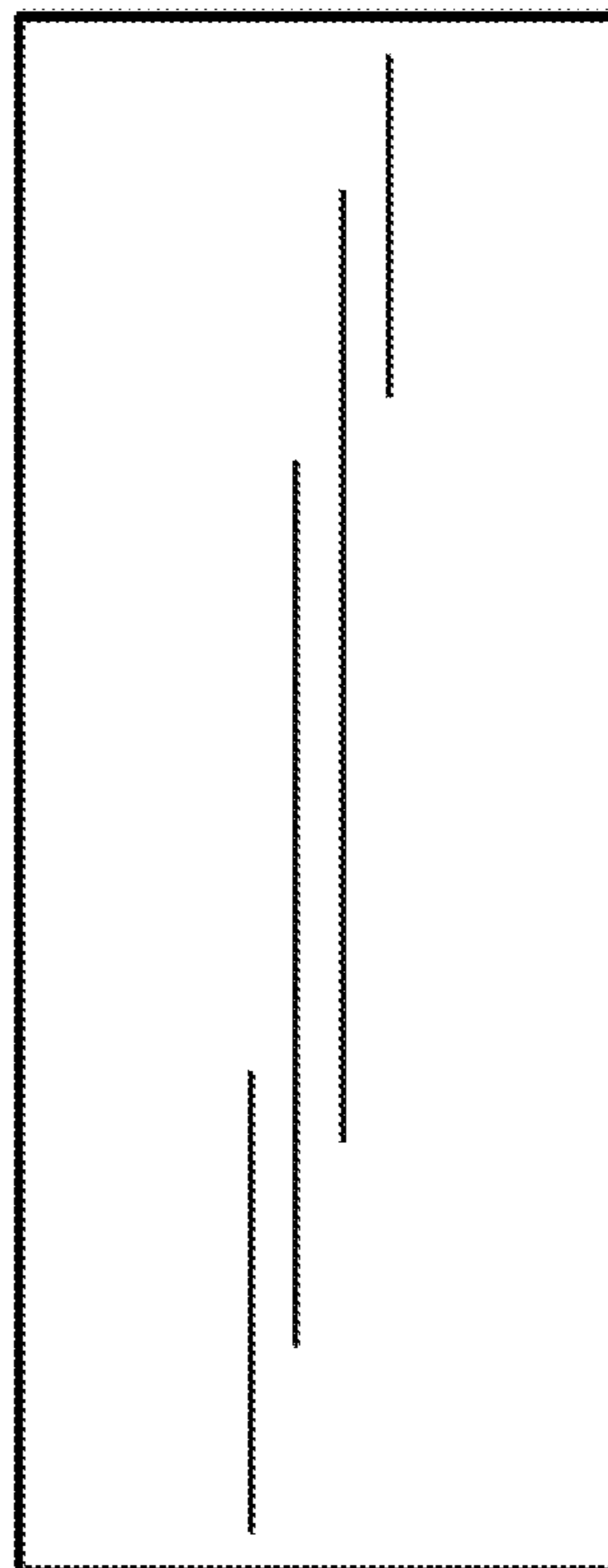


FIG. 8

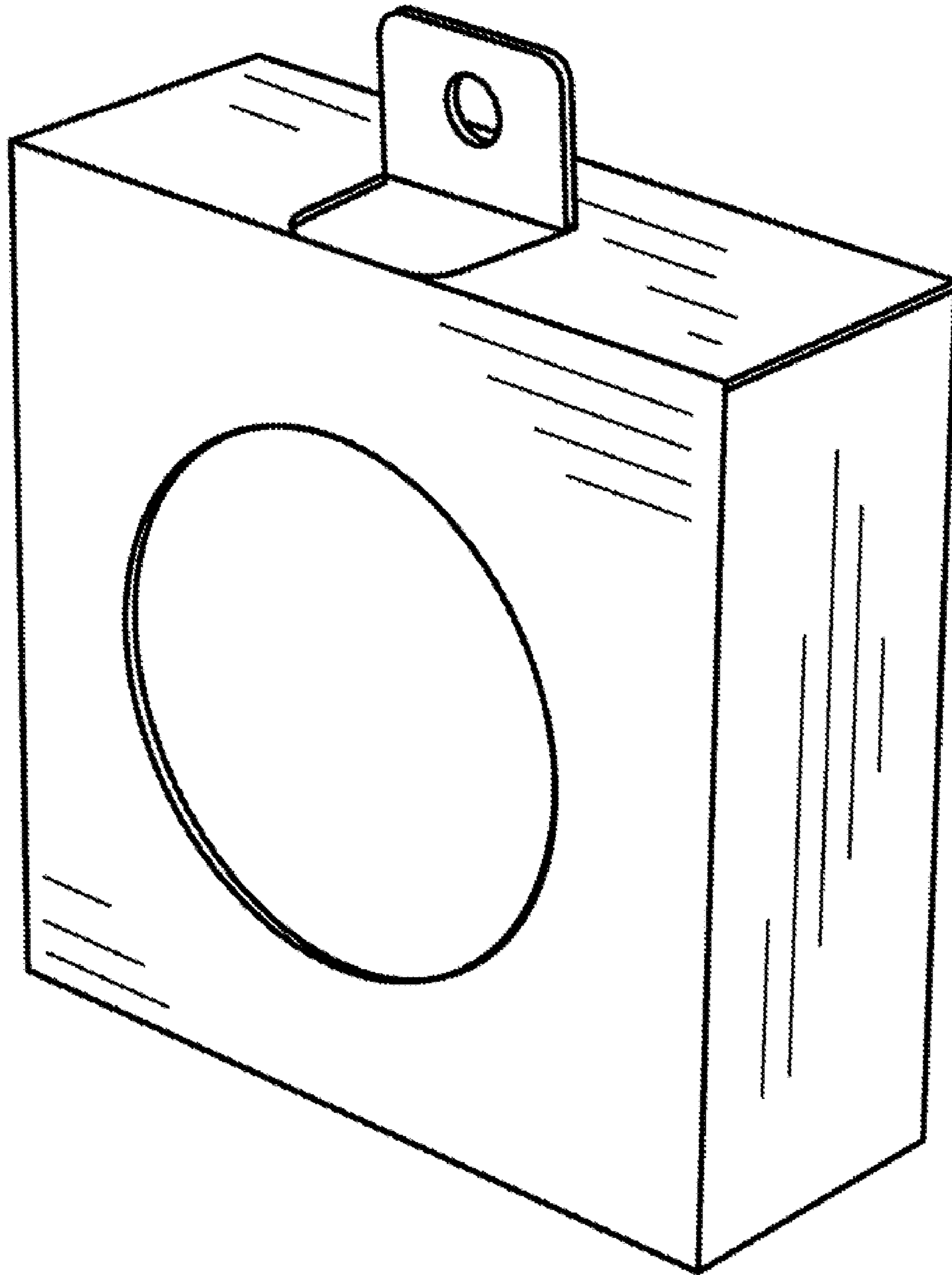


FIG. 9

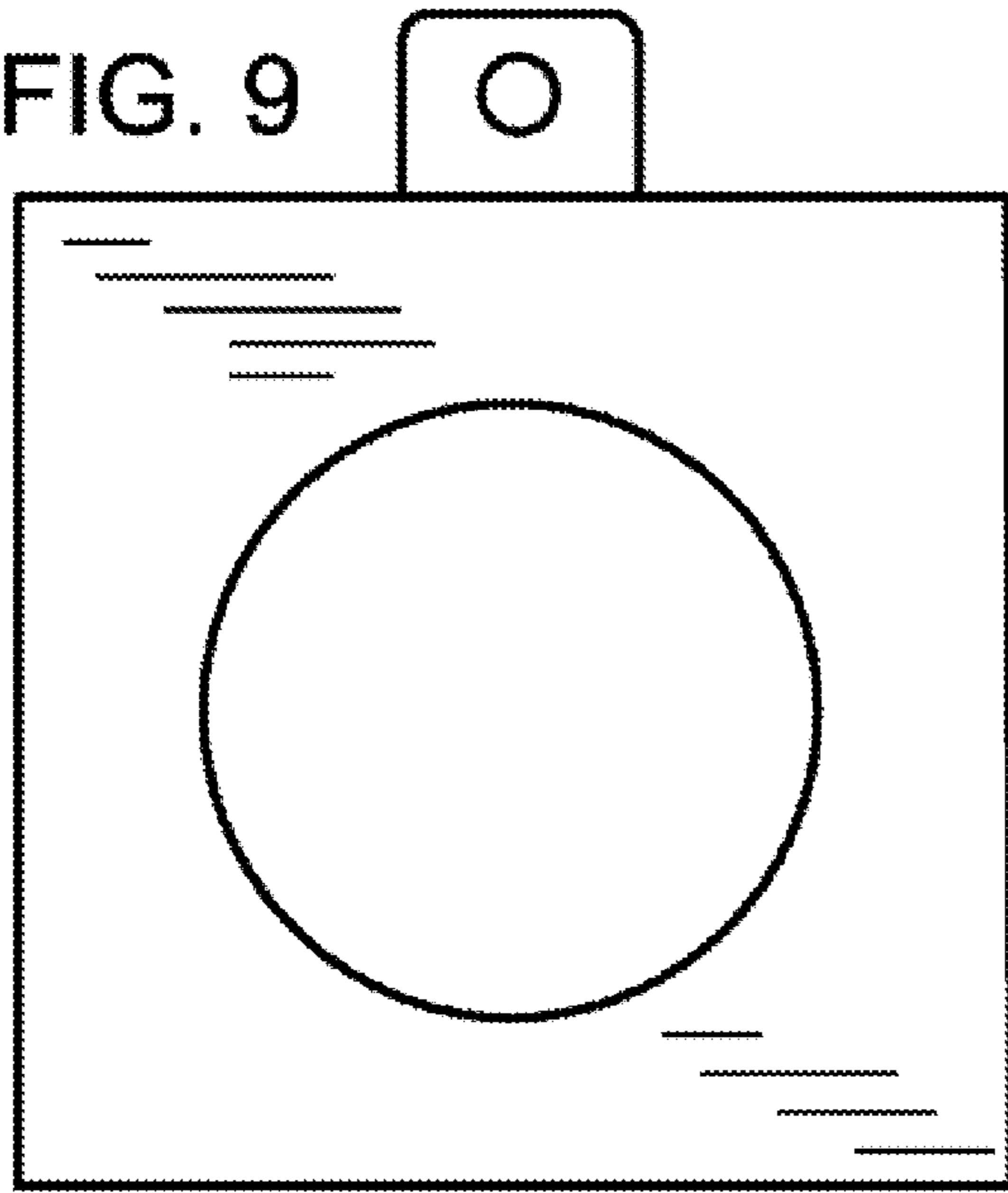


FIG. 10

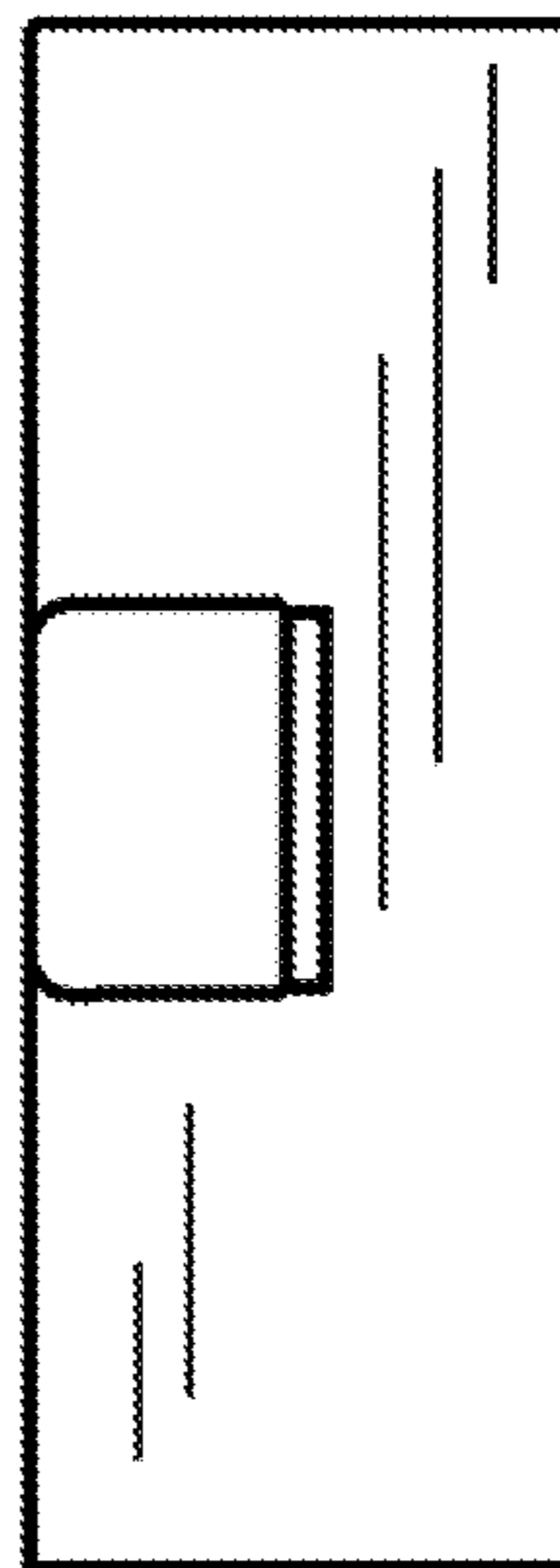


FIG. 11

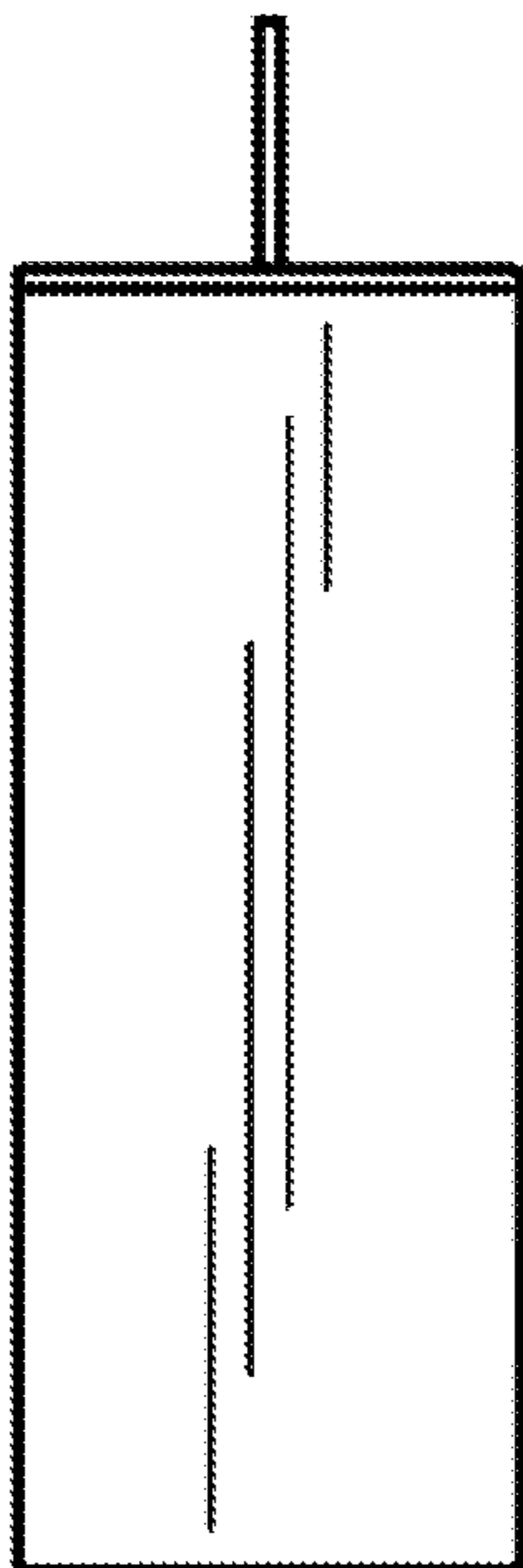


FIG. 12

