



US00D567640S

(12) **United States Design Patent**
Katoh

(10) **Patent No.:** **US D567,640 S**

(45) **Date of Patent:** **** Apr. 29, 2008**

(54) **FASTENER FOR AUTOMOBILE PARTS**

(75) Inventor: **Kouichi Katoh**, Yokohama (JP)

(73) Assignee: **Piolax Inc.**, Yokohama-shi (JP)

(**) Term: **14 Years**

(21) Appl. No.: **29/266,311**

(22) Filed: **Sep. 19, 2006**

(30) **Foreign Application Priority Data**

Mar. 20, 2006 (JP) 2006-006914

(51) **LOC (8) Cl.** **08-08**

(52) **U.S. Cl.** **D8/382**

(58) **Field of Classification Search** D8/382,
D8/383, 384, 385; 24/297

See application file for complete search history.

(56) **References Cited**

U.S. PATENT DOCUMENTS

4,312,614	A *	1/1982	Palmer et al.	411/44
D271,467	S *	11/1983	Sakaguchi	D8/382
4,438,552	A *	3/1984	Omata	24/704.1
D318,792	S *	8/1991	Hamanaka et al.	D8/382
D355,354	S *	2/1995	Sterling	D8/382
D413,508	S *	9/1999	Shibao	D8/382
6,119,316	A *	9/2000	Ishihara et al.	24/297
6,317,937	B1 *	11/2001	Ishihara et al.	24/297
6,449,814	B1 *	9/2002	Dinsmore et al.	24/297
6,572,317	B2 *	6/2003	Okada et al.	411/508
6,665,914	B2 *	12/2003	Ogawa	24/297
6,718,599	B2 *	4/2004	Dickinson et al.	24/295
6,846,125	B2 *	1/2005	Smith et al.	403/291

7,231,696	B2 *	6/2007	Asano et al.	24/297
2007/0084024	A1 *	4/2007	Giugliano et al.	24/293
2007/0186389	A1 *	8/2007	Smith et al.	24/297

* cited by examiner

Primary Examiner—Holly H. Baynham

Assistant Examiner—Sheryl Friedman

(74) *Attorney, Agent, or Firm*—Westerman, Hattori, Daniels & Adrian, LLP.

(57) **CLAIM**

I claim the ornamental design for a fastener for automobile parts, as shown and described.

DESCRIPTION

FIG. 1 is a front elevation view of a fastener for automobile parts showing our new design, the rear elevation view being symmetrical to the front elevation view;

FIG. 2 is a top plan view thereof;

FIG. 3 is a bottom plan view thereof;

FIG. 4 is a right side elevation view thereof;

FIG. 5 is a cross-sectional view taken along the line A—A in FIG. 2;

FIG. 6 is a perspective view of a fastener for automobile parts; and,

FIG. 7 is an explanatory referential view showing the use of the fastener to secure an automobile part to an automotive body panel.

The broken lines in the drawings are for illustrative purposes only and form no part of the claimed design.

1 Claim, 7 Drawing Sheets

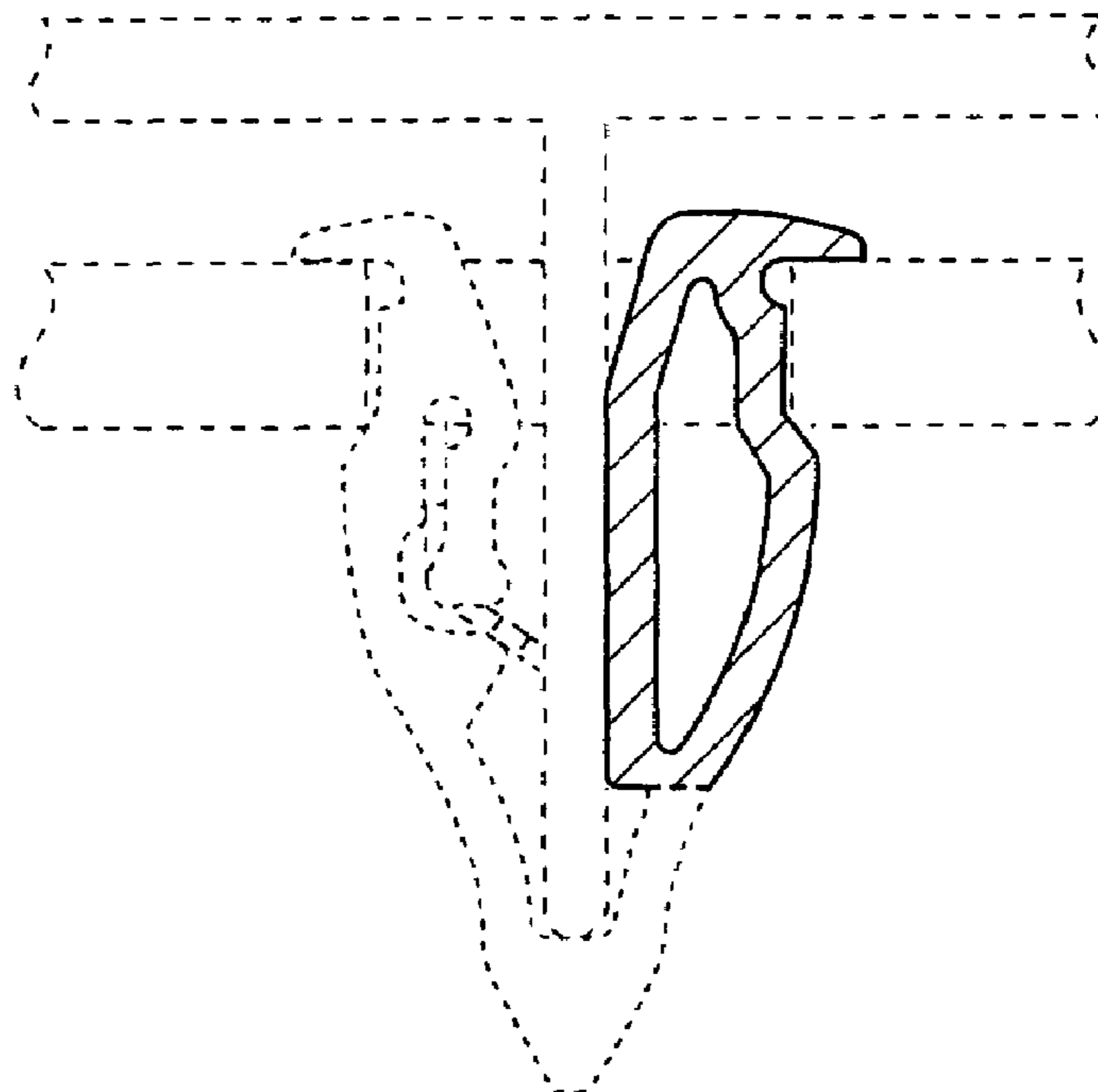


Fig. 1

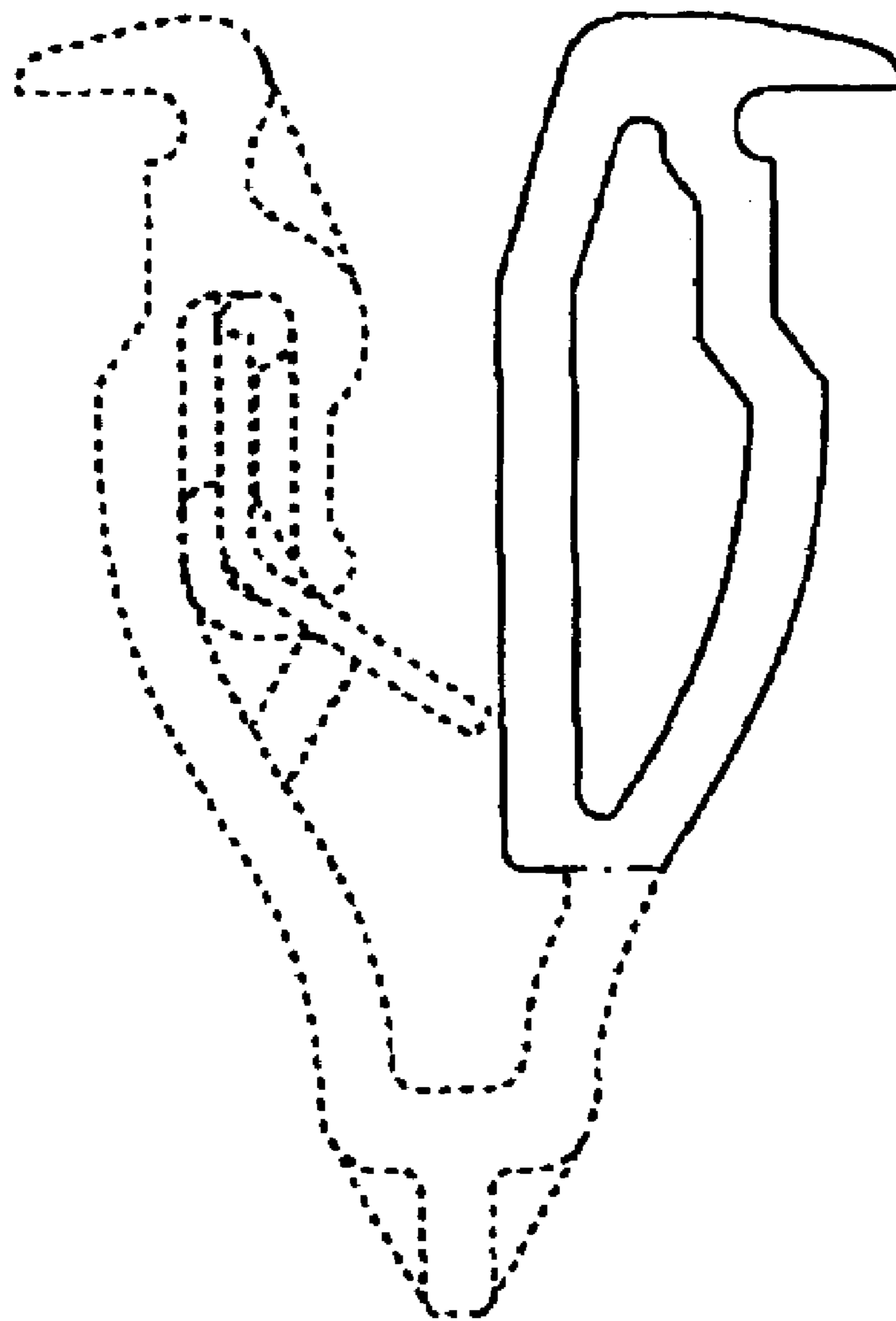


Fig. 2

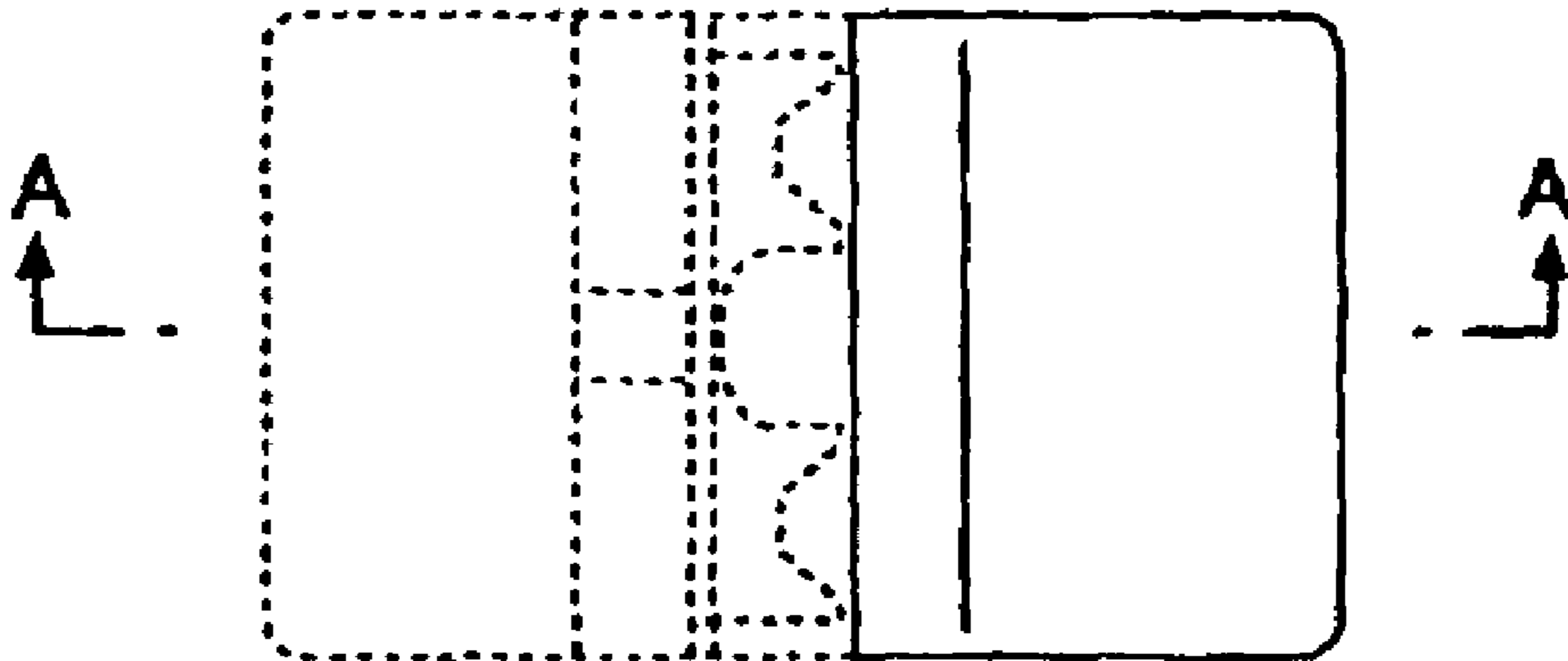


Fig. 3

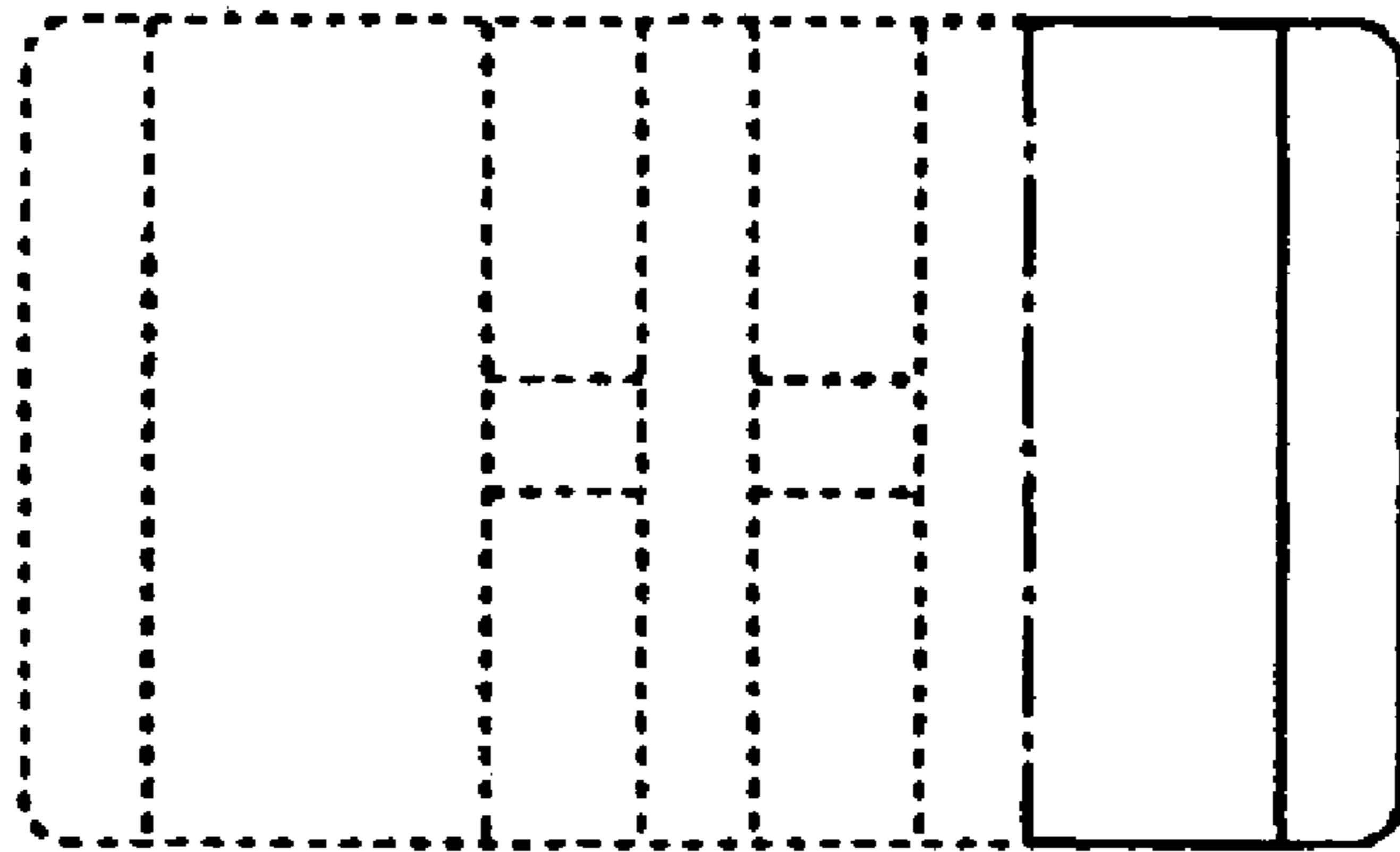


Fig. 4

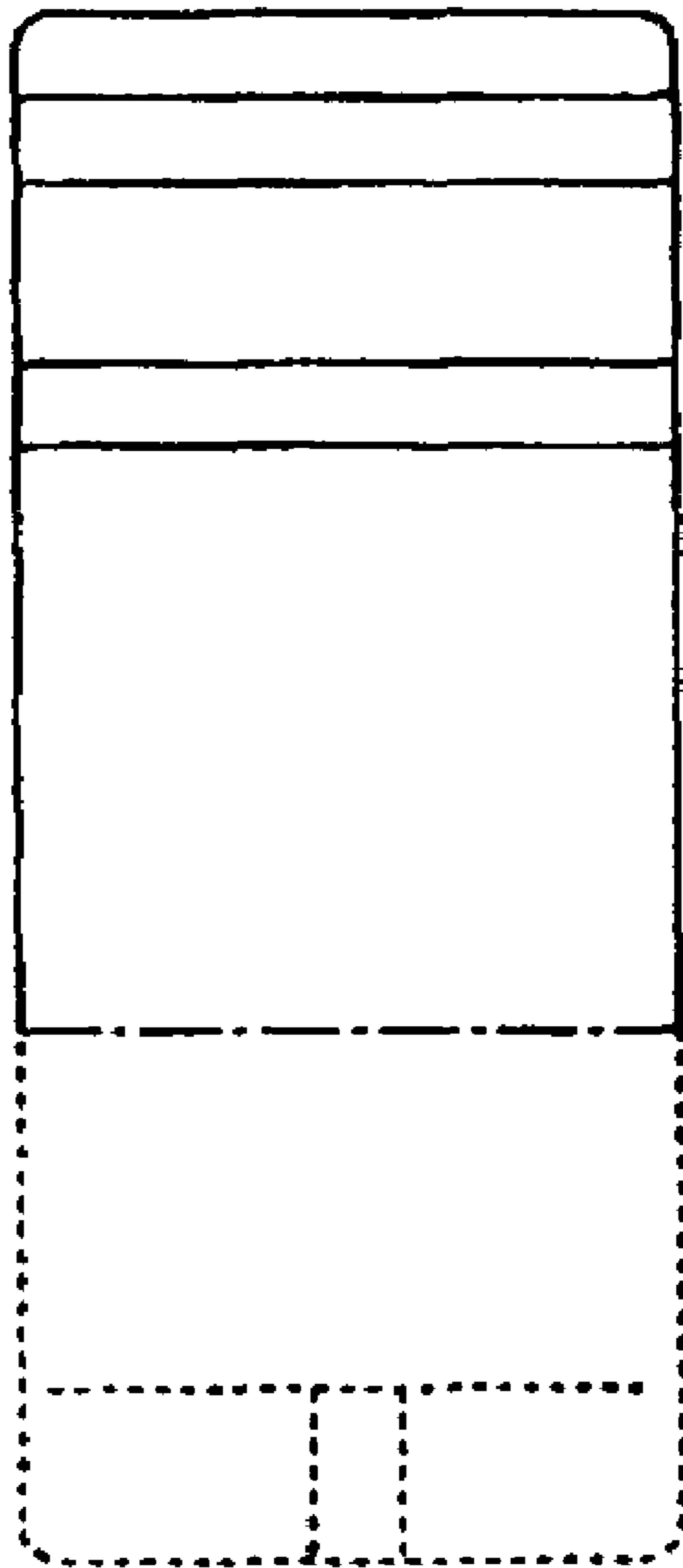


Fig. 5

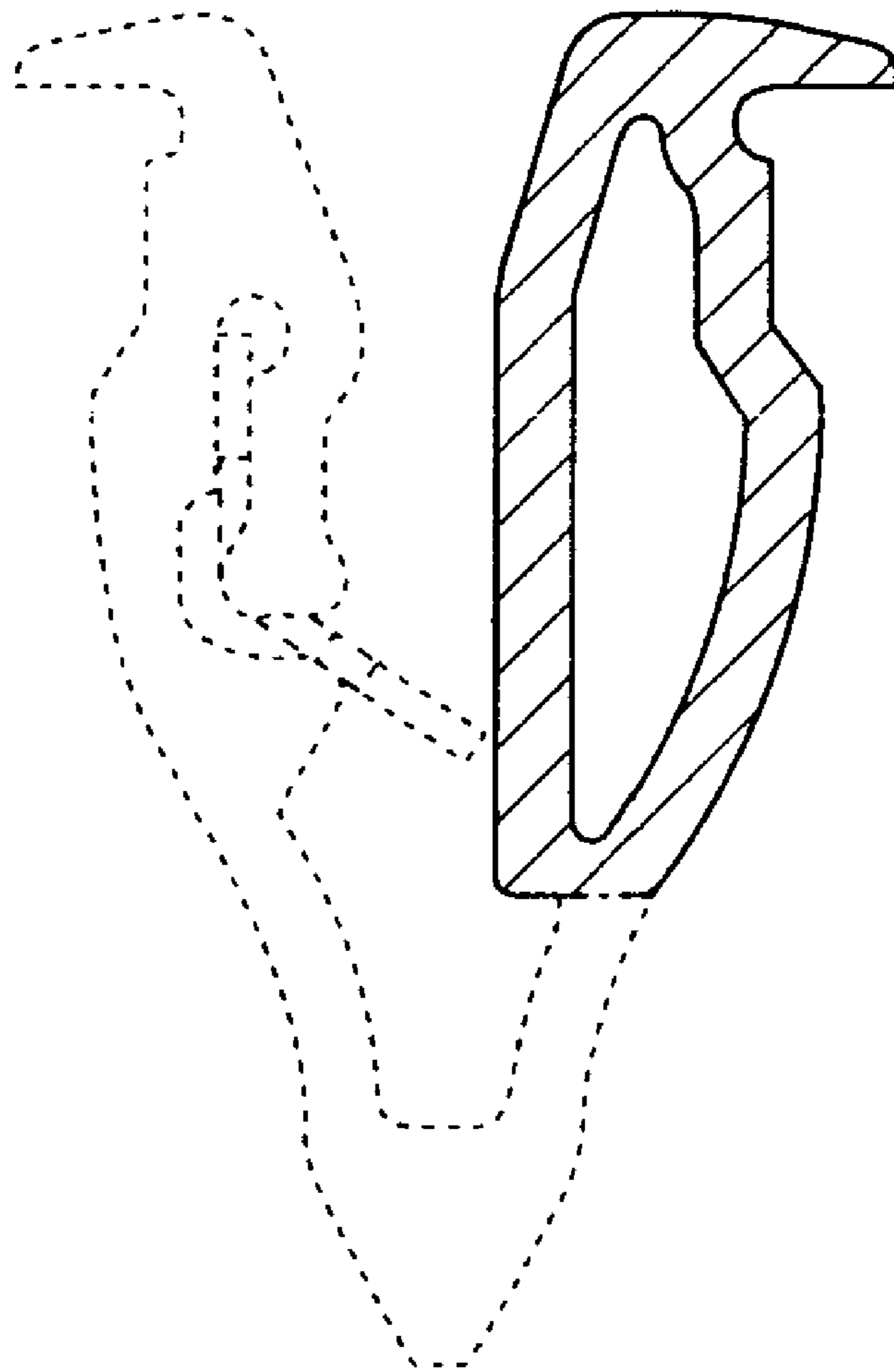


Fig. 6

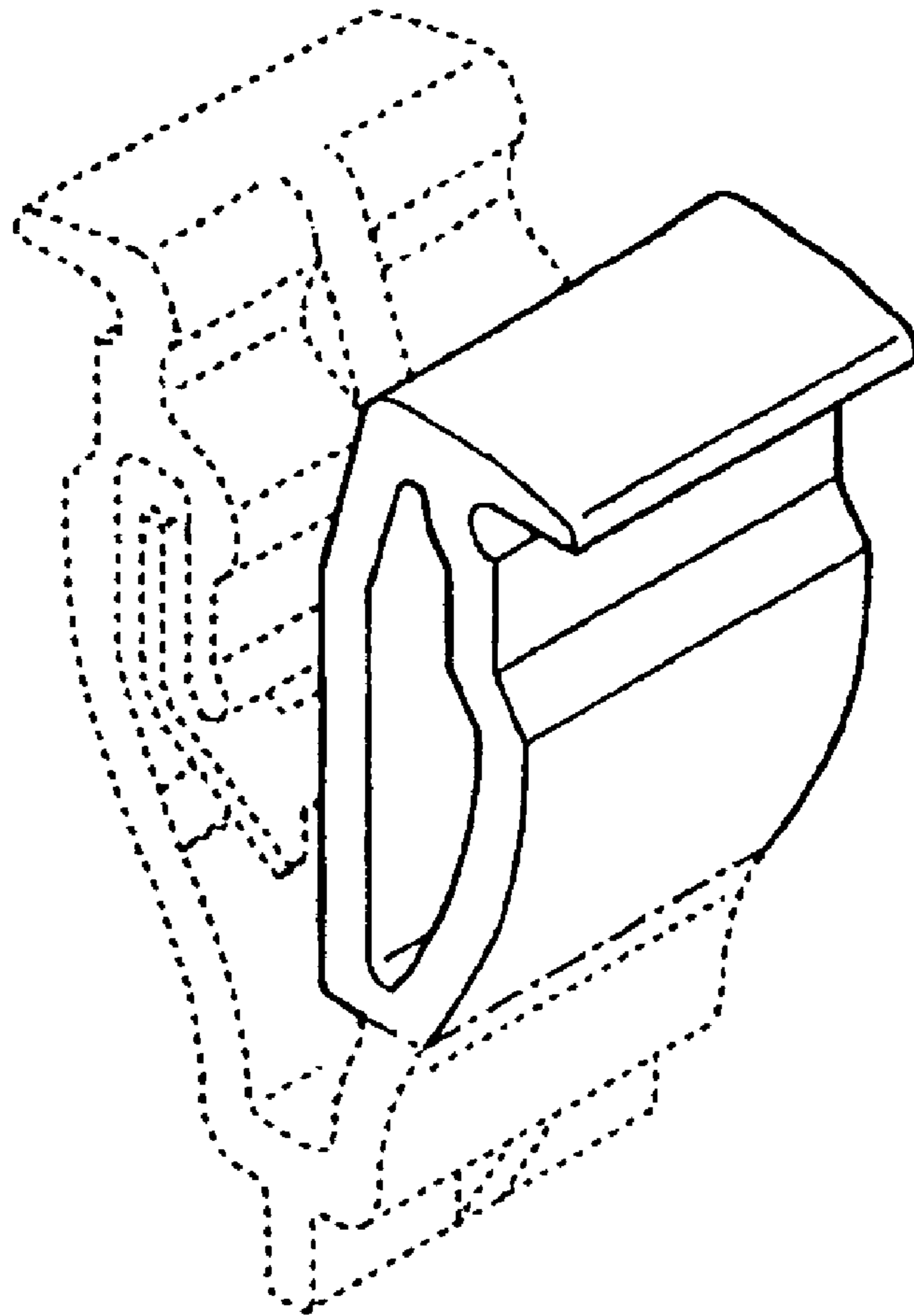


Fig. 7

