



US00D567638S

(12) **United States Design Patent**
Rieder

(10) **Patent No.: US D567,638 S**

(45) **Date of Patent: ** Apr. 29, 2008**

(54) **ATTACHMENT HOOK BACK AND
OPPOSING SIDE AND CENTER ARM
CURVE CLIP**

(76) Inventor: **Andrew W. Rieder**, 123 Sunnyside
Rd., Van Buren, AR (US) 72956

(**) Term: **14 Years**

(21) Appl. No.: **29/289,990**

(22) Filed: **Aug. 9, 2007**

(51) **LOC (8) Cl. 08-05**

(52) **U.S. Cl. D8/371**

(58) **Field of Classification Search** D8/349,
D8/354, 363, 366, 371, 372, 373, 380, 499;
D6/541; D11/67; D12/180; D21/694; D34/29,
D34/35; 248/27.1, 220.22, 220.42, 231.81,
248/304; 439/567; 198/370.01, 370.04,
198/782, 890, 890.1

See application file for complete search history.

(56) **References Cited**

U.S. PATENT DOCUMENTS

932,778	A *	8/1909	Gould	248/304
D69,875	S *	4/1926	Frantsits	D8/371
D112,555	S *	12/1938	Lowen	D8/371
D112,589	S *	12/1938	Lowen	D8/371
D156,659	S *	12/1949	Reed	D8/395
D201,638	S *	7/1965	Fenburr et al.	D8/371
D204,446	S *	4/1966	Barbon	D6/541
D214,383	S *	6/1969	Johnson	D8/371
D224,084	S *	7/1972	Gaffney	D8/380
D260,758	S *	9/1981	Borugian	D12/180

D289,972	S *	5/1987	Fogelman	D8/371
D323,285	S *	1/1992	Thomson	D8/372
D467,792	S *	12/2002	Zadak et al.	D8/373
6,565,383	B1 *	5/2003	Wu	439/567
D492,189	S *	6/2004	Weremchuk et al.	D8/371
D494,047	S *	8/2004	Klein et al.	D8/371
D502,516	S *	3/2005	Chen	D21/694
D525,408	S *	7/2006	Nitadori	D34/35

* cited by examiner

Primary Examiner—T. Chase Nelson

Assistant Examiner—Barbara B Lohr

(74) *Attorney, Agent, or Firm*—Keisling Pieper & Scott
PLC; David B. Pieper; Trent C. Keisling

(57) **CLAIM**

The ornamental design for an attachment hook back and
opposing side and center arm curve clip, as shown and
described.

DESCRIPTION

FIG. 1 is a perspective view of an attachment hook back and
opposing side and center arm curve clip showing my new
design;

FIG. 2 is a top plan view thereof;

FIG. 3 is a left side elevational view thereof;

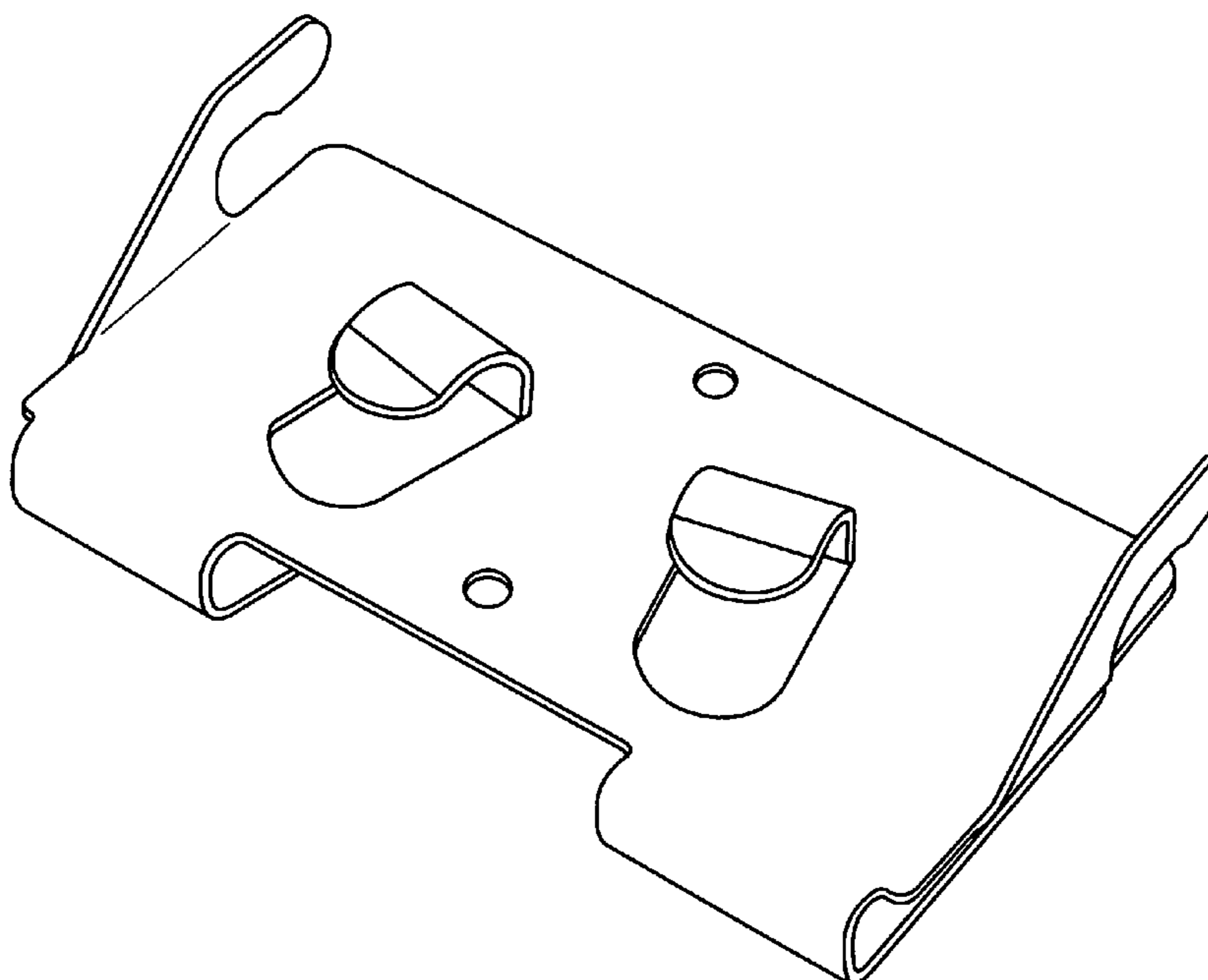
FIG. 4 is a front elevational view thereof;

FIG. 5 is a right side elevational view thereof;

FIG. 6 is a bottom plan view thereof; and,

FIG. 7 is a back elevational view thereof.

1 Claim, 2 Drawing Sheets



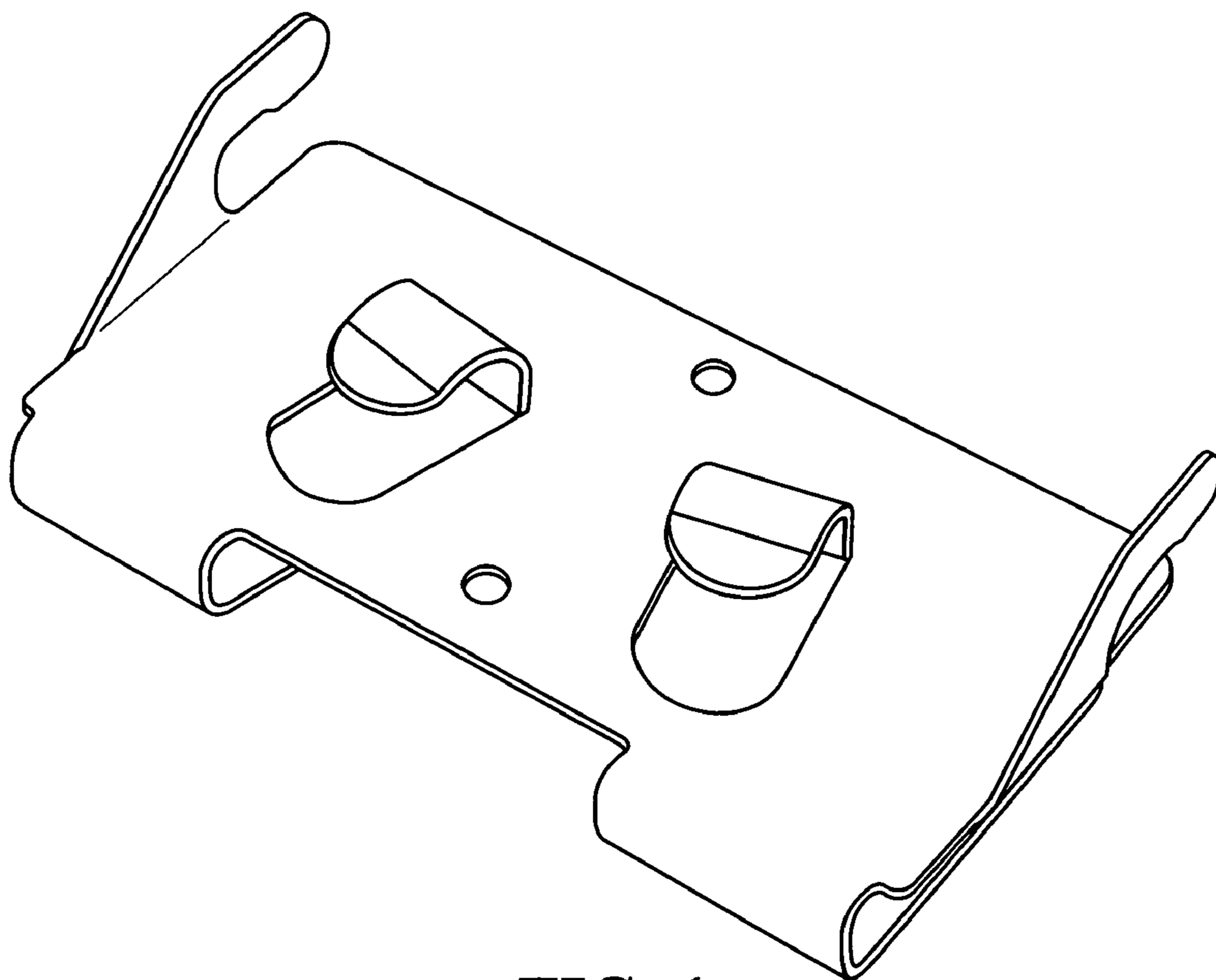


FIG. 1

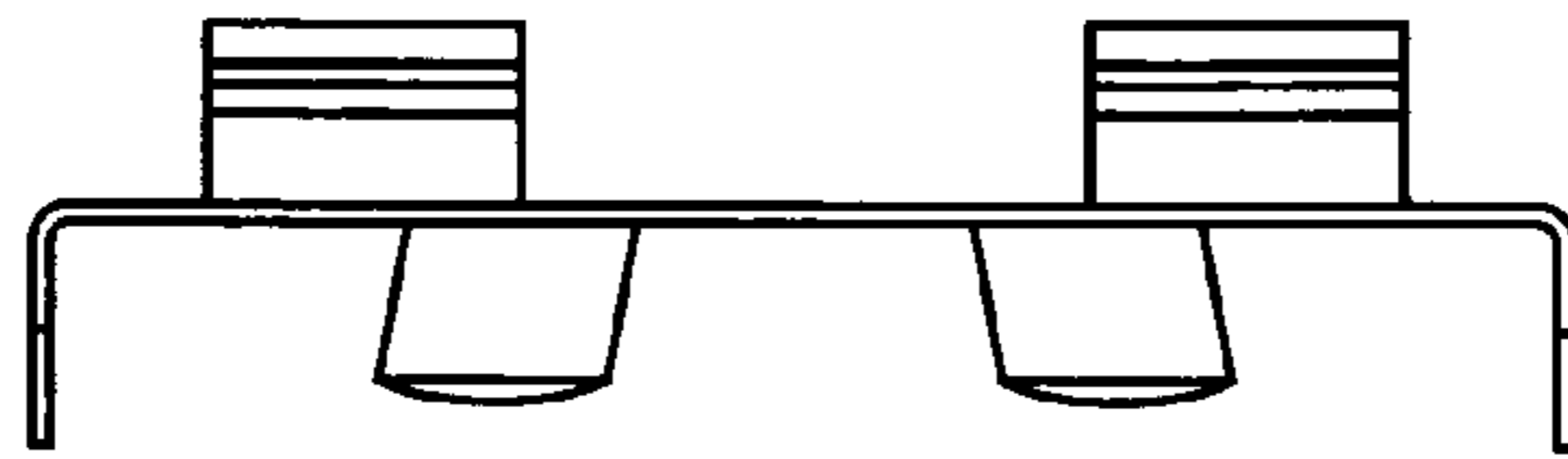


FIG. 2

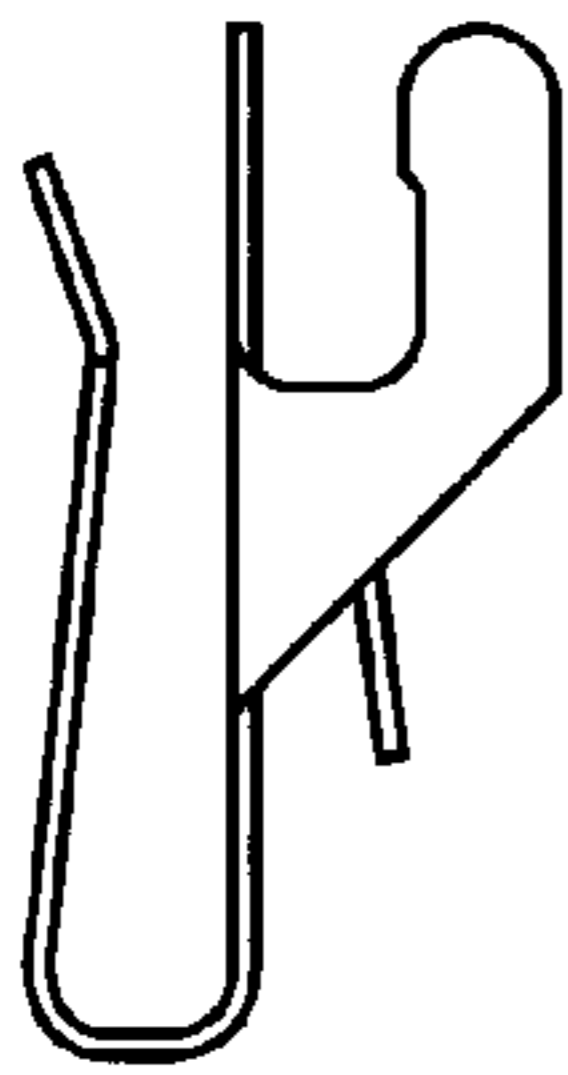


FIG. 3

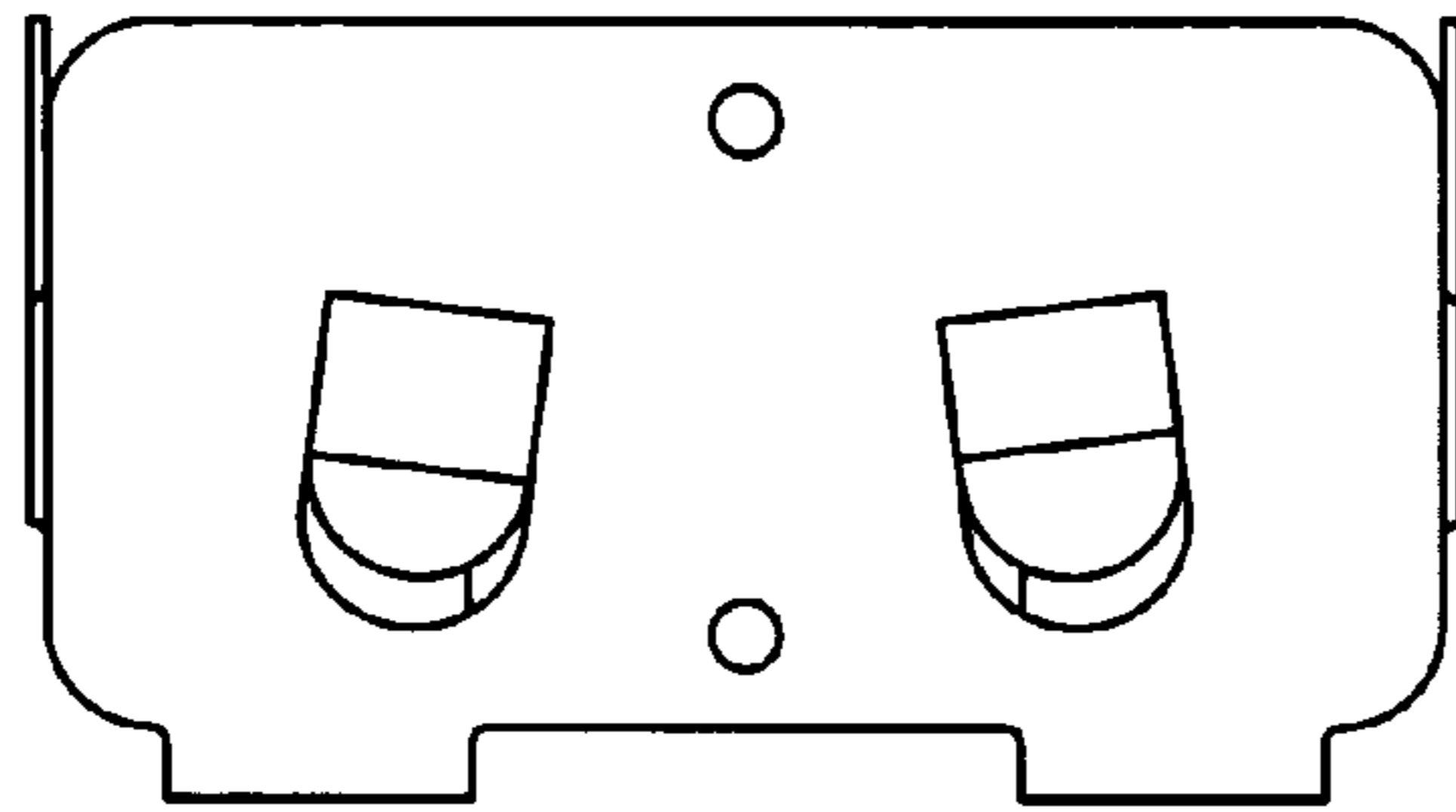


FIG. 4

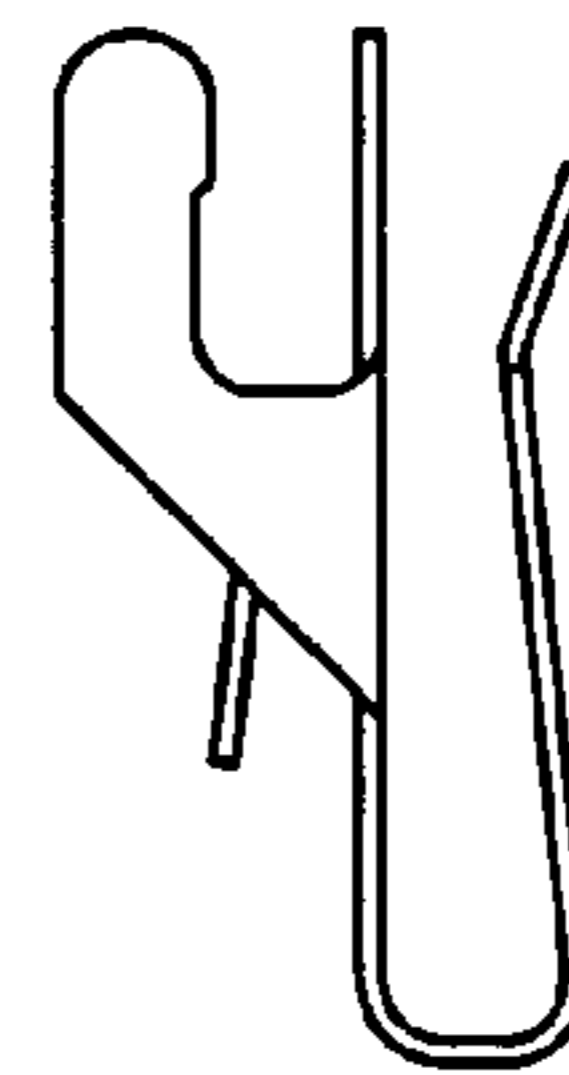


FIG. 5

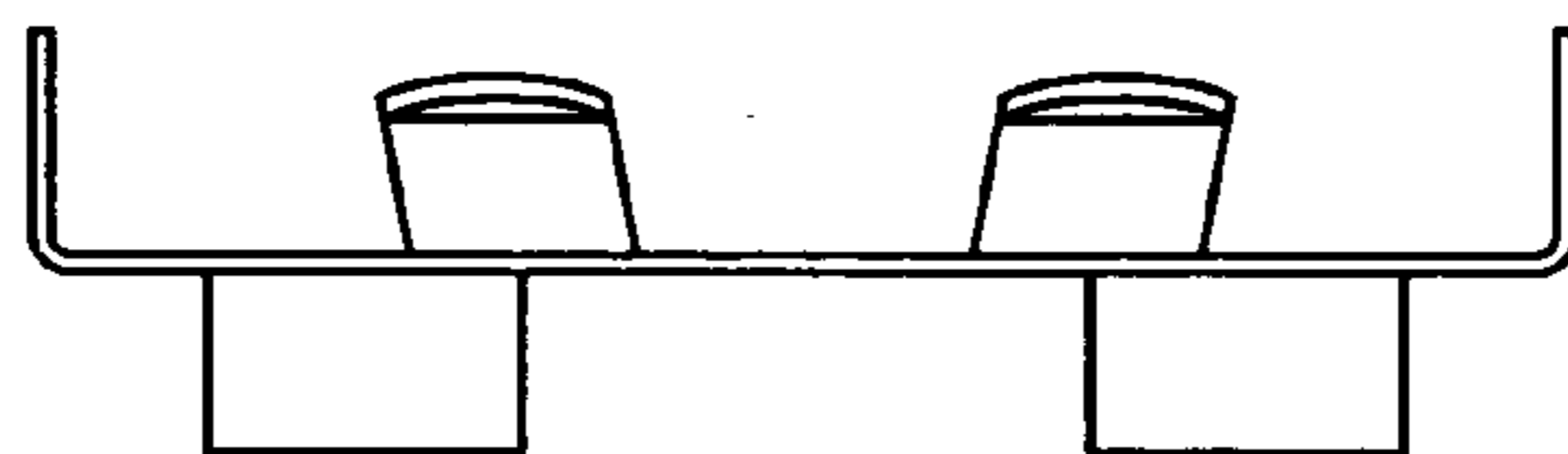


FIG. 6

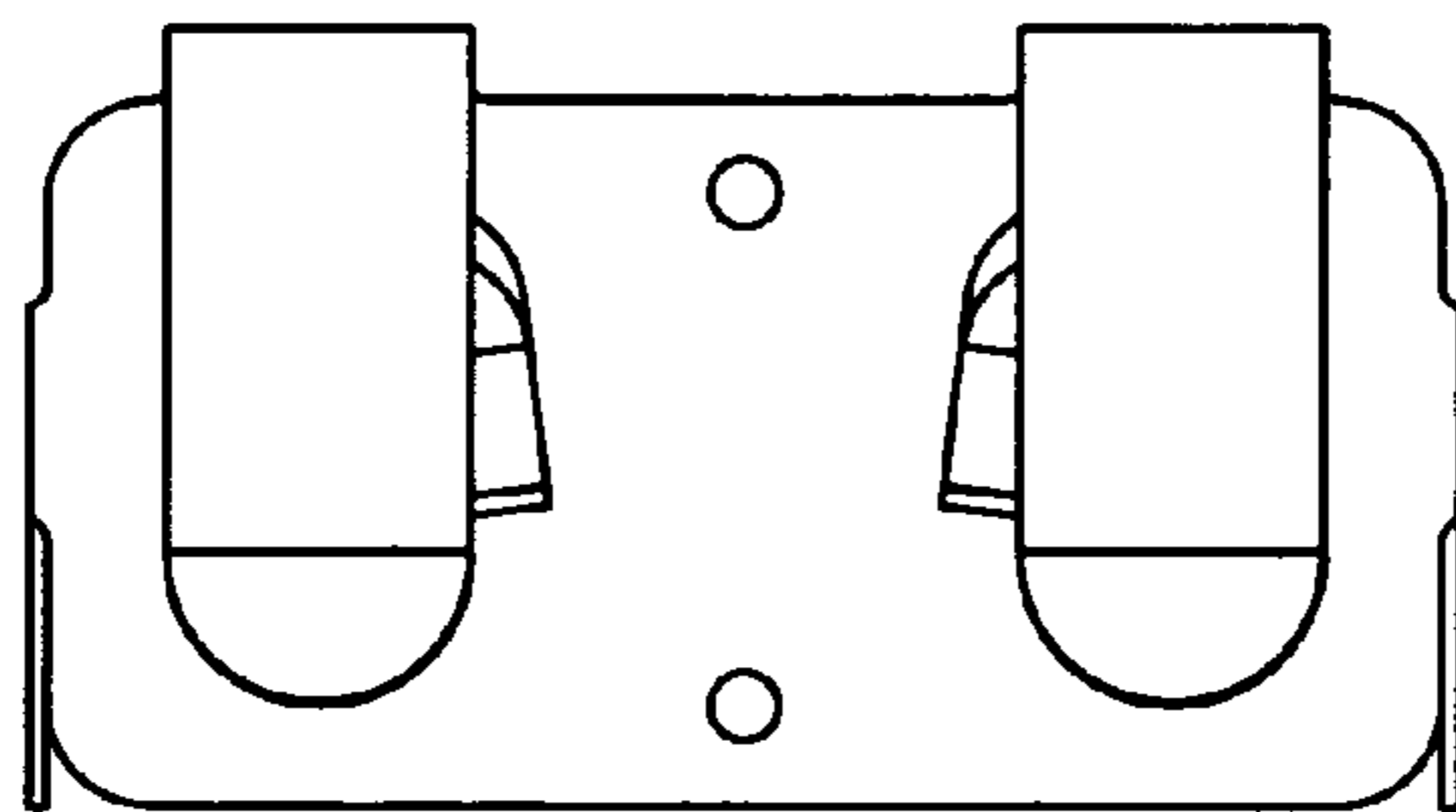


FIG. 7