



US00D567634S

(12) **United States Design Patent**  
**Sorkin**

(10) **Patent No.:** **US D567,634 S**

(45) **Date of Patent:** **\*\* Apr. 29, 2008**

(54) **INTERSECTIONAL PAVING CHAIR**

(76) Inventor: **Felix L. Sorkin**, 13022 Trinity Dr.,  
Stafford, TX (US) 77477

(\*\*) Term: **14 Years**

(21) Appl. No.: **29/277,761**

(22) Filed: **Mar. 8, 2007**

(51) **LOC (8) Cl.** ..... **08-05**

(52) **U.S. Cl.** ..... **D8/354**

(58) **Field of Classification Search** ..... D8/354;  
52/677, 686-689

See application file for complete search history.

(56) **References Cited**

**U.S. PATENT DOCUMENTS**

|                |         |        |       |        |
|----------------|---------|--------|-------|--------|
| D443,197 S *   | 6/2001  | Padrun | ..... | D8/354 |
| D480,291 S *   | 10/2003 | Sorkin | ..... | D8/354 |
| D482,262 S *   | 11/2003 | Sorkin | ..... | D8/354 |
| 6,684,594 B1 * | 2/2004  | Sorkin | ..... | 52/685 |
| 6,684,595 B1 * | 2/2004  | Sorkin | ..... | 52/685 |
| D500,665 S *   | 1/2005  | Sorkin | ..... | D8/354 |

\* cited by examiner

*Primary Examiner*—Holly H. Baynham

(74) *Attorney, Agent, or Firm*—Egbert Law Offices

(57) **CLAIM**

I claim the ornamental design for a intersectional paving chair, as shown and described.

**DESCRIPTION**

FIG. 1 is an upper perspective view of the intersectional paving chair showing my design.

FIG. 2 is a front view thereof;

FIG. 3 is a back view thereof;

FIG. 4 is a side elevation view thereof;

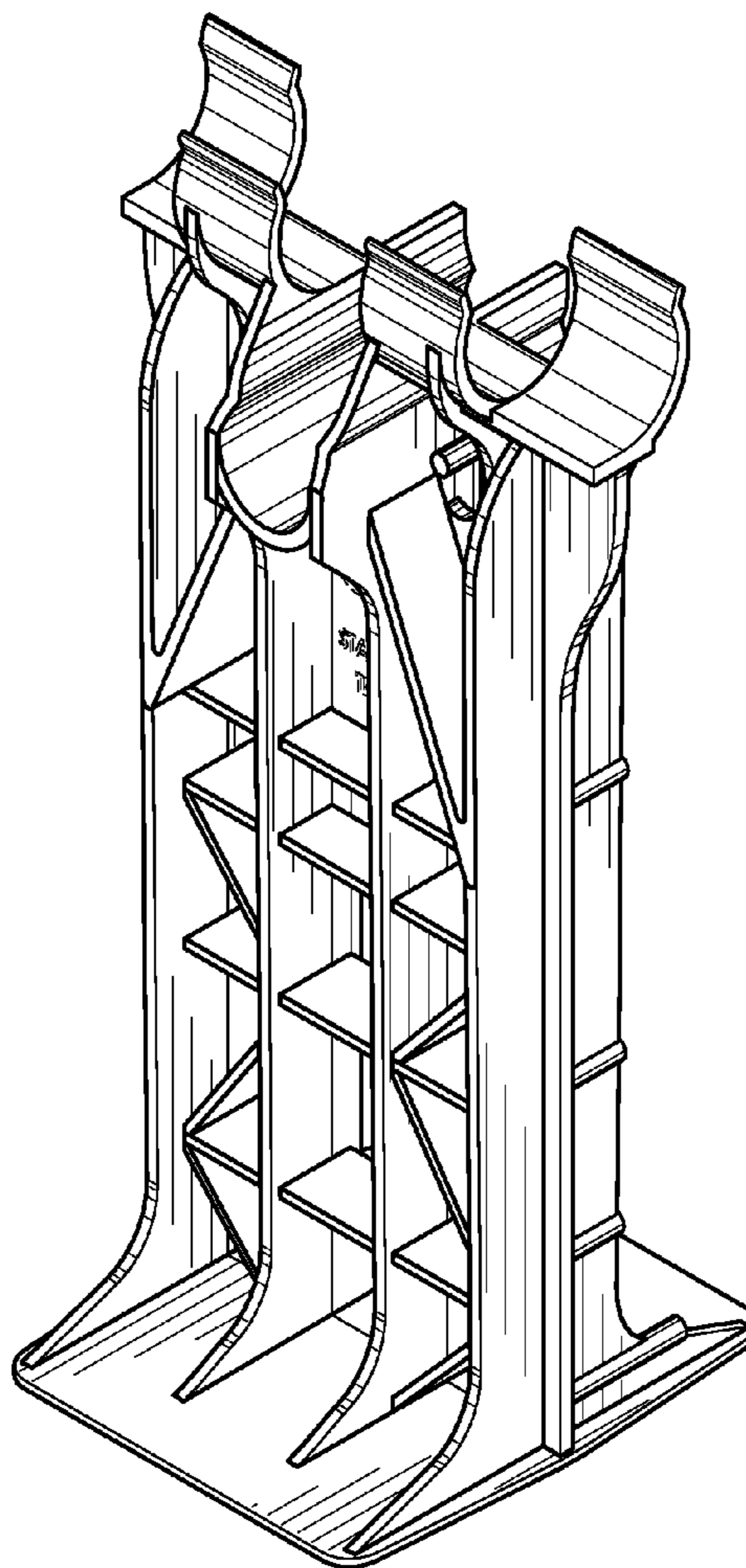
FIG. 5 is an opposite side elevation view thereof;

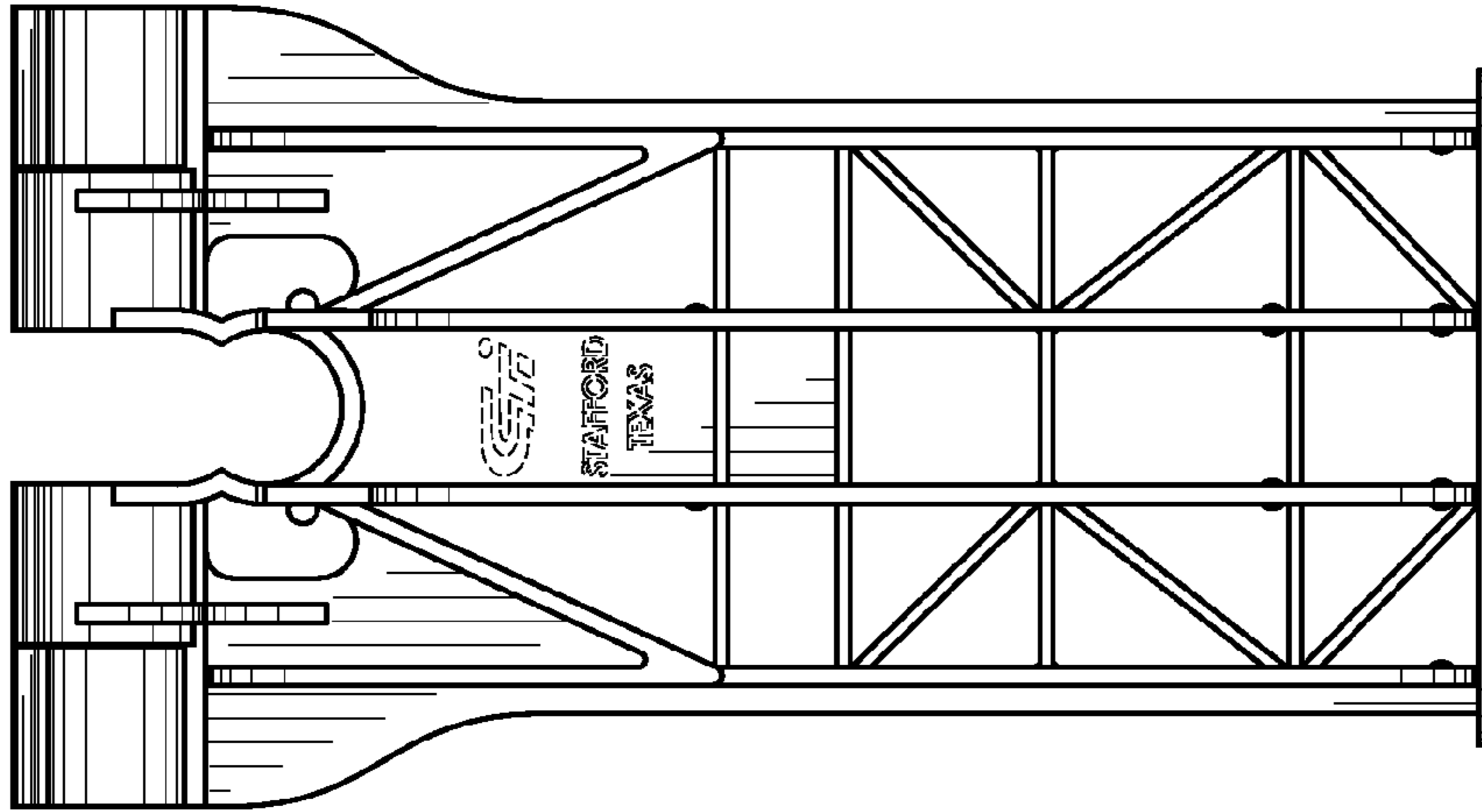
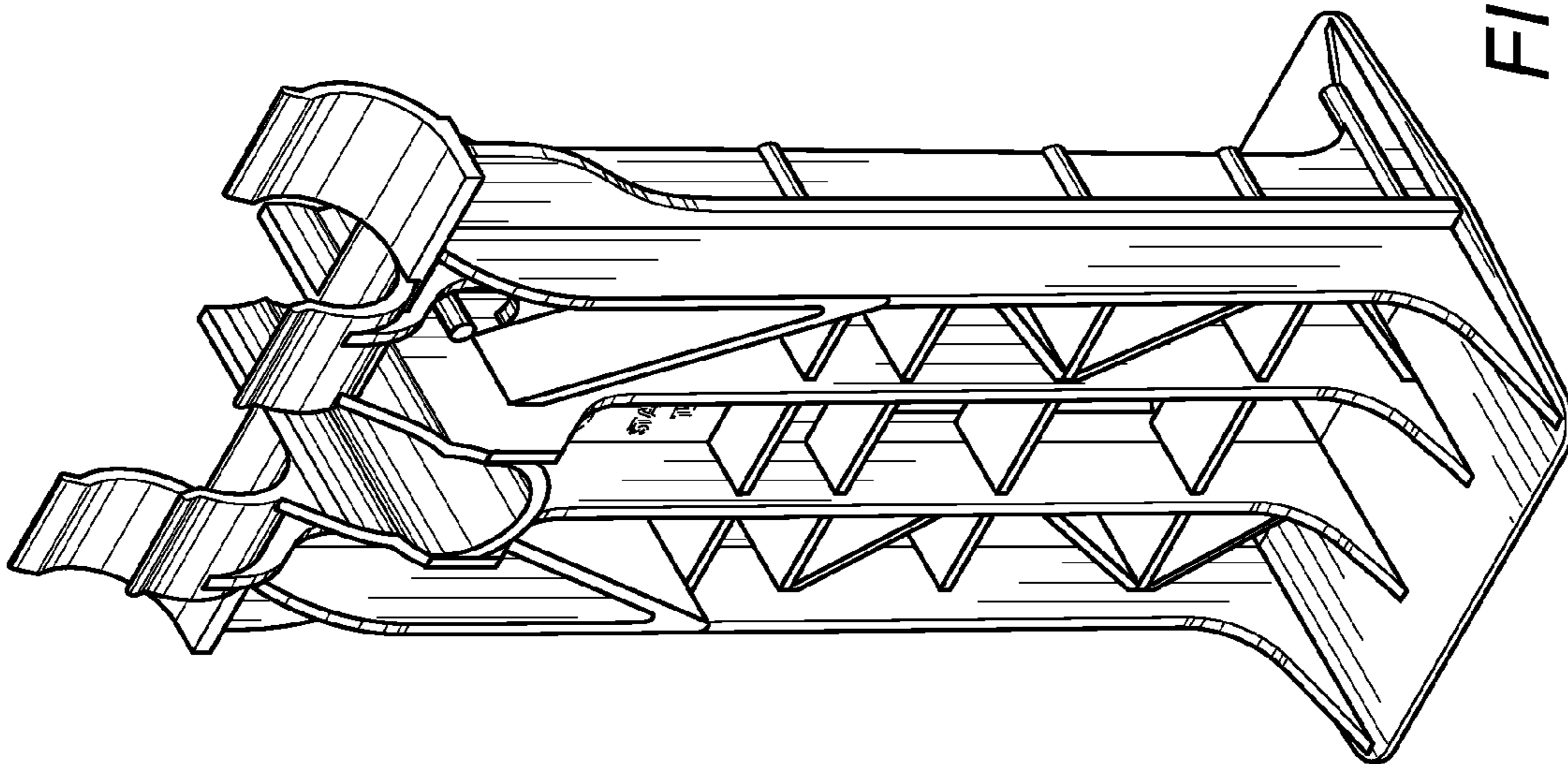
FIG. 6 is a top plan view thereof; and,

FIG. 7 is a bottom view thereof.

The broken lines in the figures are presented for illustrative purposes only and form no part of the claimed design.

**1 Claim, 3 Drawing Sheets**





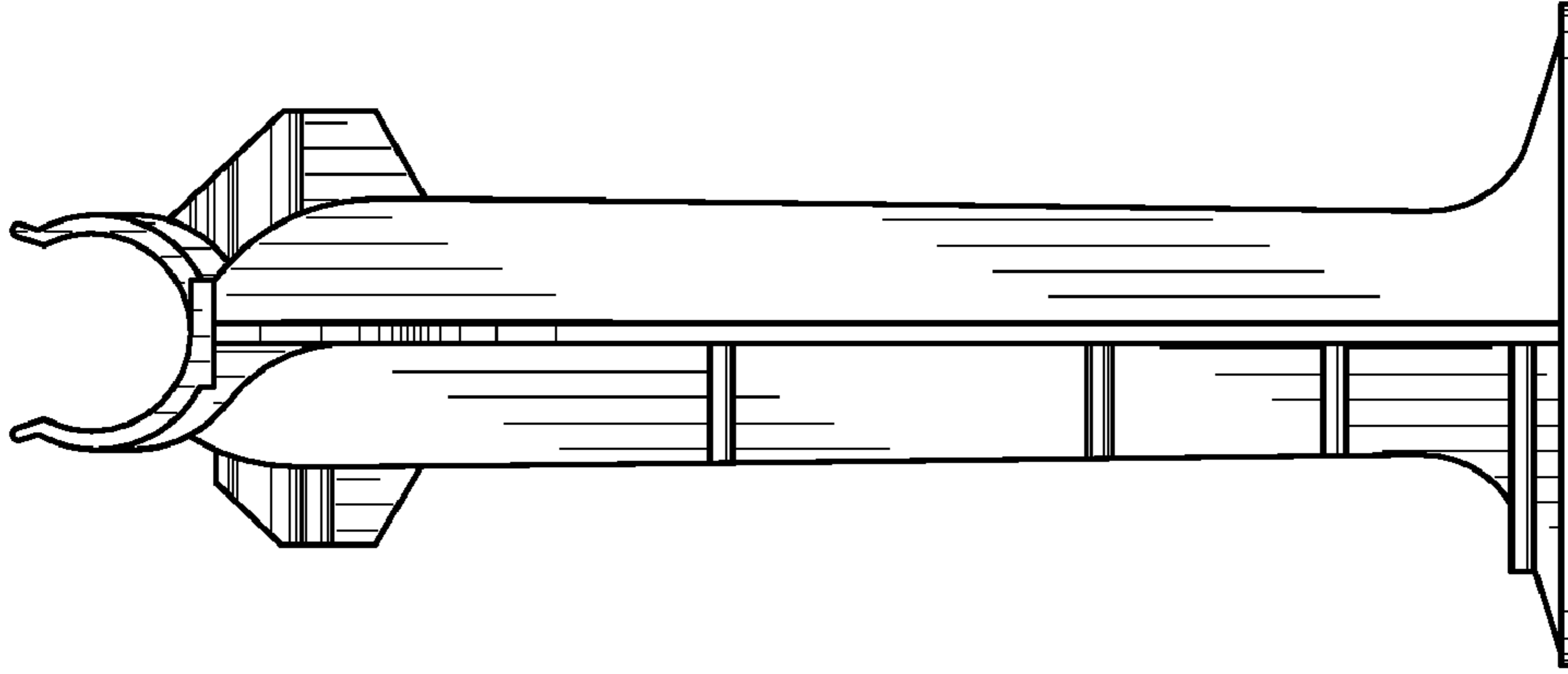


FIG. 5

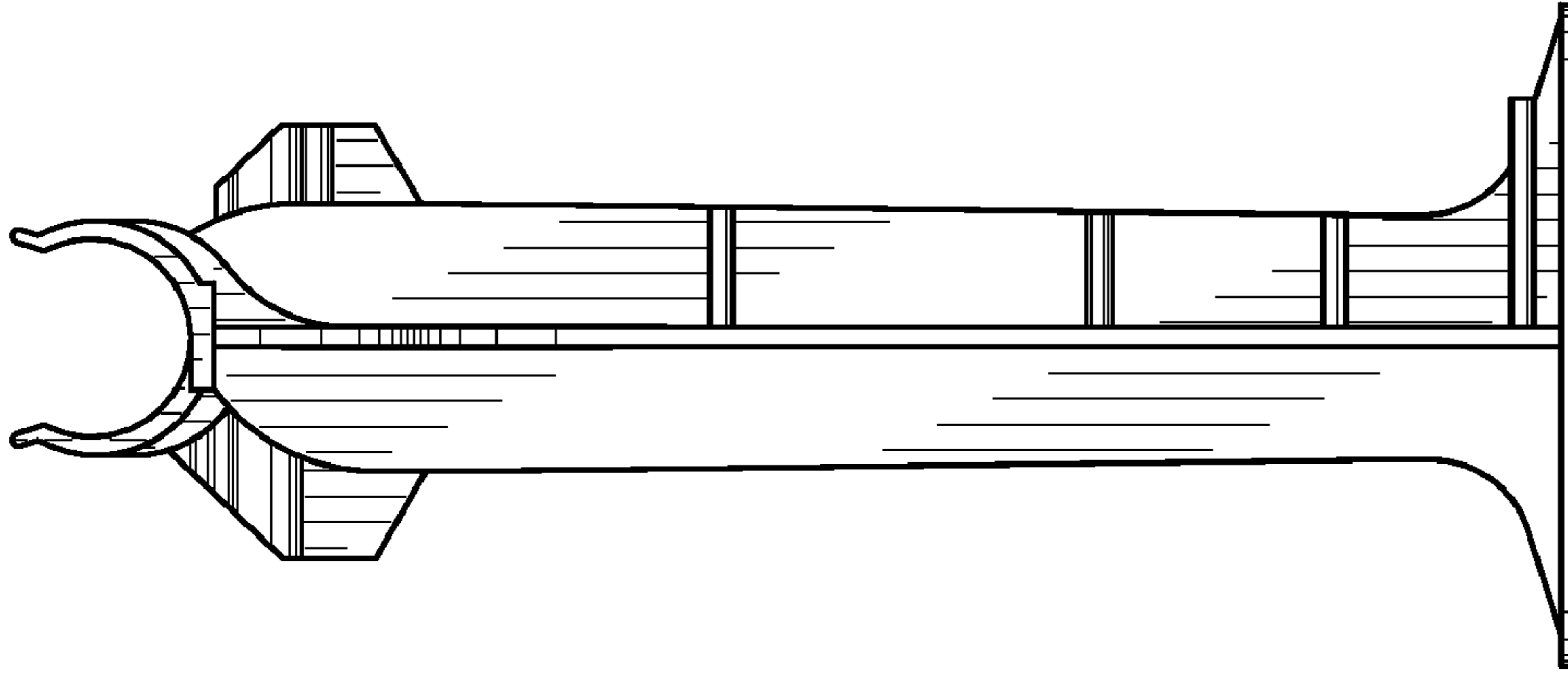


FIG. 4

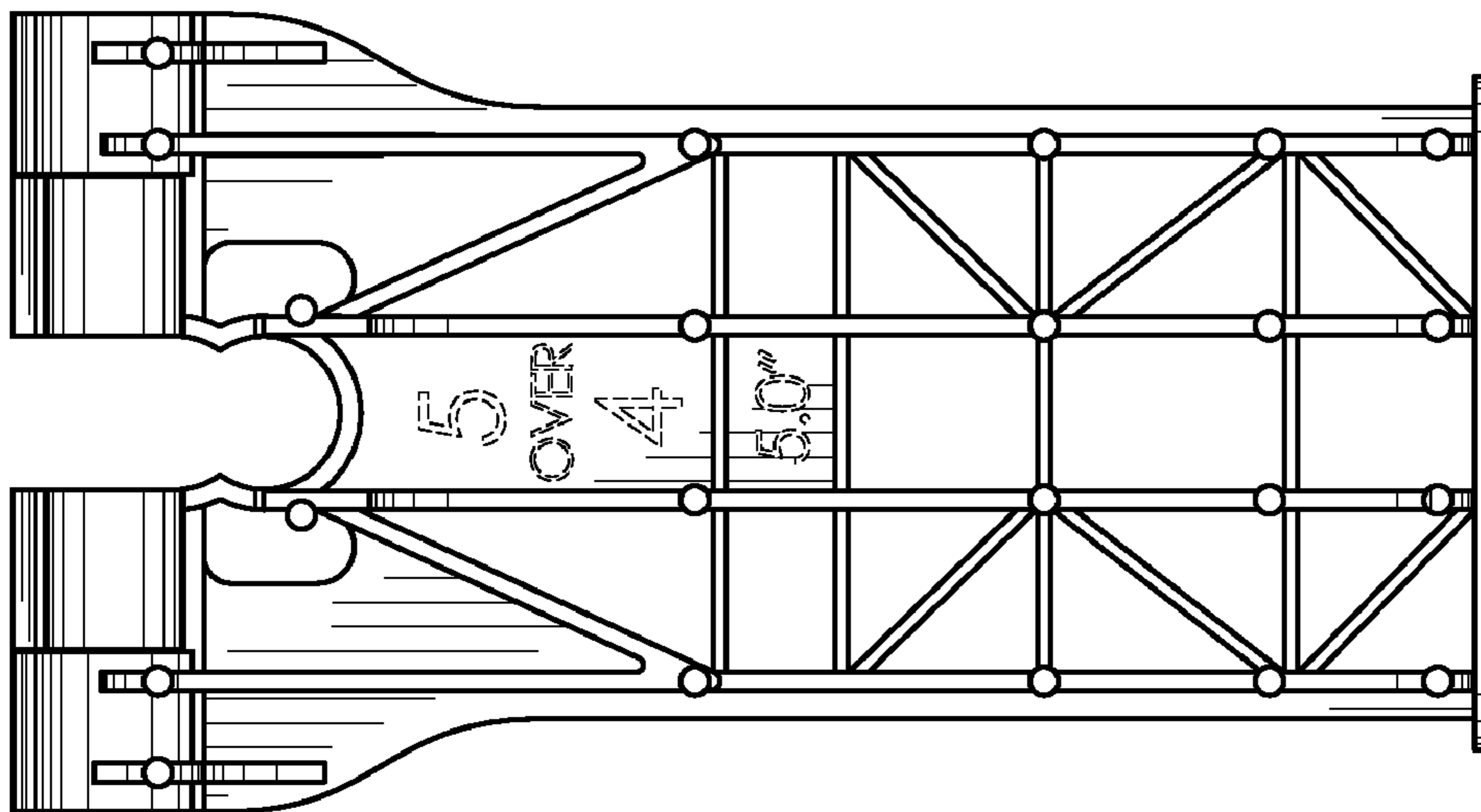


FIG. 3

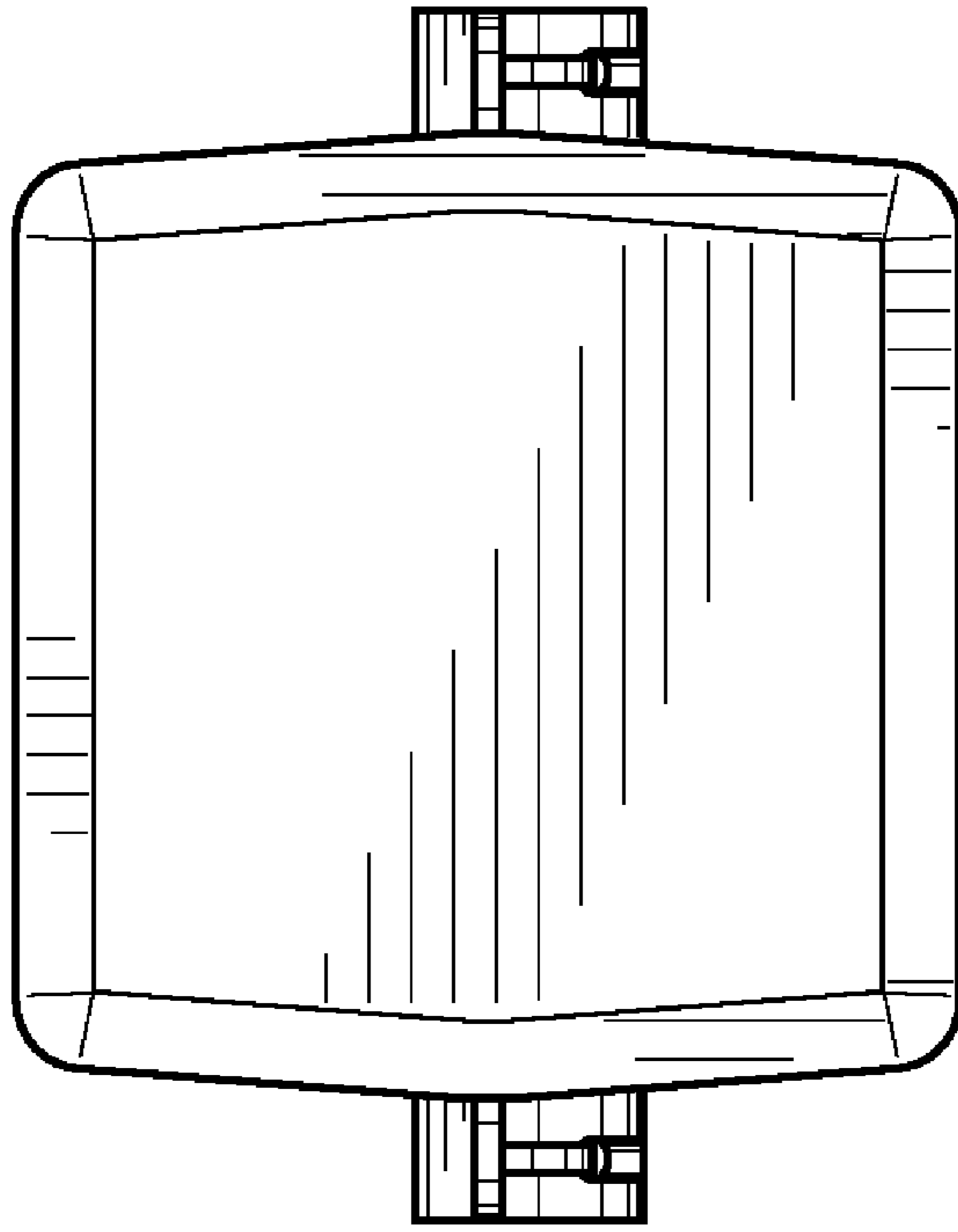


FIG. 7

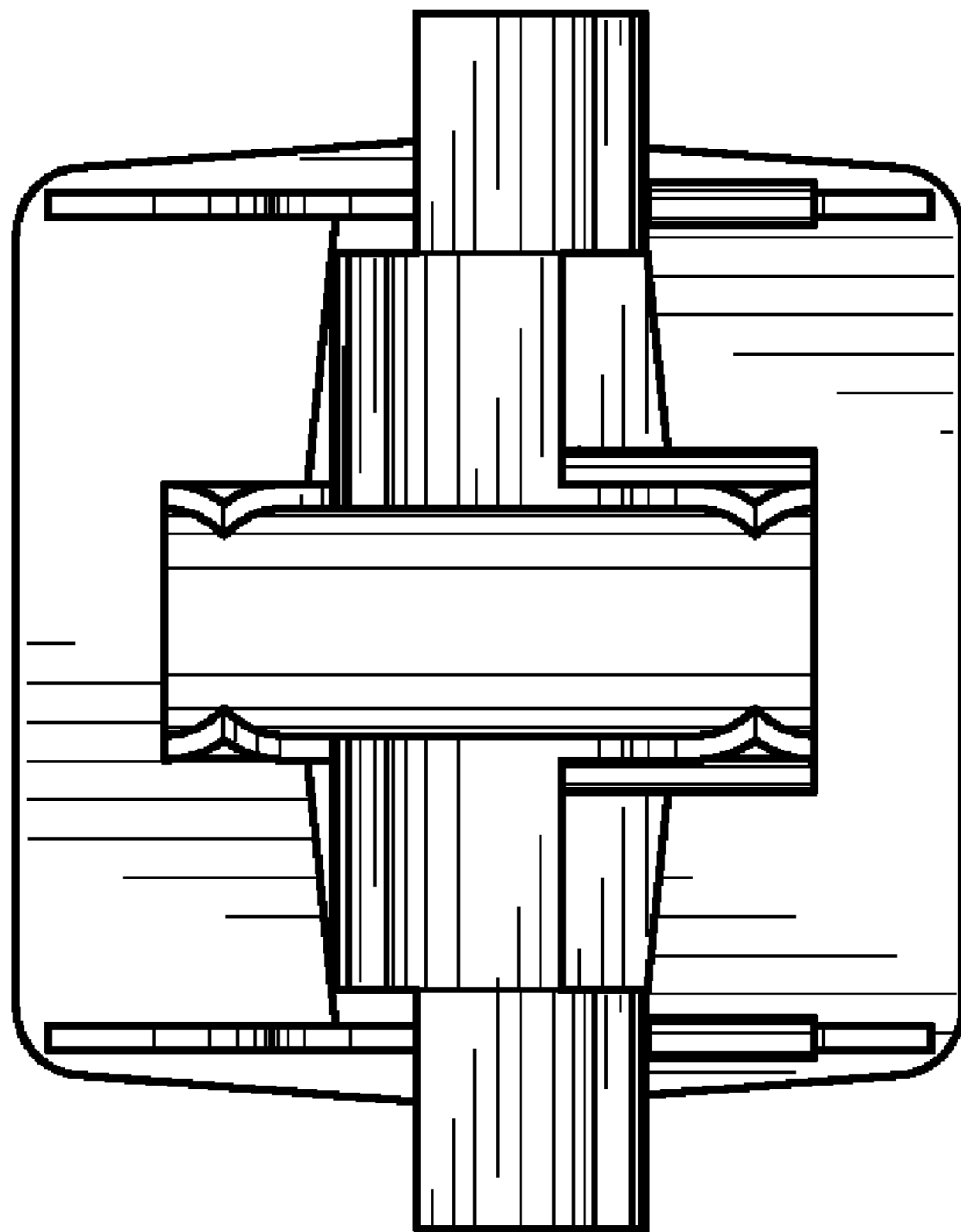


FIG. 6