



US00D567628S

(12) **United States Design Patent**  
**Rohde et al.**

(10) **Patent No.:** **US D567,628 S**

(45) **Date of Patent:** **\*\* Apr. 29, 2008**

(54) **LOCK**

D547,161 S \* 7/2007 Blomstrom et al. .... D8/334  
D558,025 S \* 12/2007 Rohde et al. .... D8/334

(75) Inventors: **Christopher Rohde**, West Allis, WI (US); **John Blomstrom**, Milwaukee, WI (US)

\* cited by examiner

*Primary Examiner*—Mitchell Siegel

(73) Assignee: **Master Lock Company LLC**, Oak Creek, WI (US)

(74) *Attorney, Agent, or Firm*—Calfee, Halter & Griswold LLP

(\*\*) Term: **14 Years**

(57) **CLAIM**

(21) Appl. No.: **29/270,193**

We claim the ornamental design for a lock, as shown and described.

(22) Filed: **Dec. 18, 2006**

**DESCRIPTION**

(51) **LOC (8) Cl.** ..... **08-07**

FIG. 1 is a perspective view of a lock made in accordance with an embodiment of the new design;

(52) **U.S. Cl.** ..... **D8/333**

FIG. 2 is a front elevation view of the lock of FIG. 1;

(58) **Field of Classification Search** ..... D8/330–348;  
70/14, 20–21, 31, 35, 38, 41–48, 443, 448,  
70/437, 51–54

FIG. 3 is a right side view of the lock of FIG. 1;

See application file for complete search history.

FIG. 4 is a rear view of the lock of FIG. 1;

FIG. 5 is a left side view of the lock of FIG. 1;

(56) **References Cited**

**U.S. PATENT DOCUMENTS**

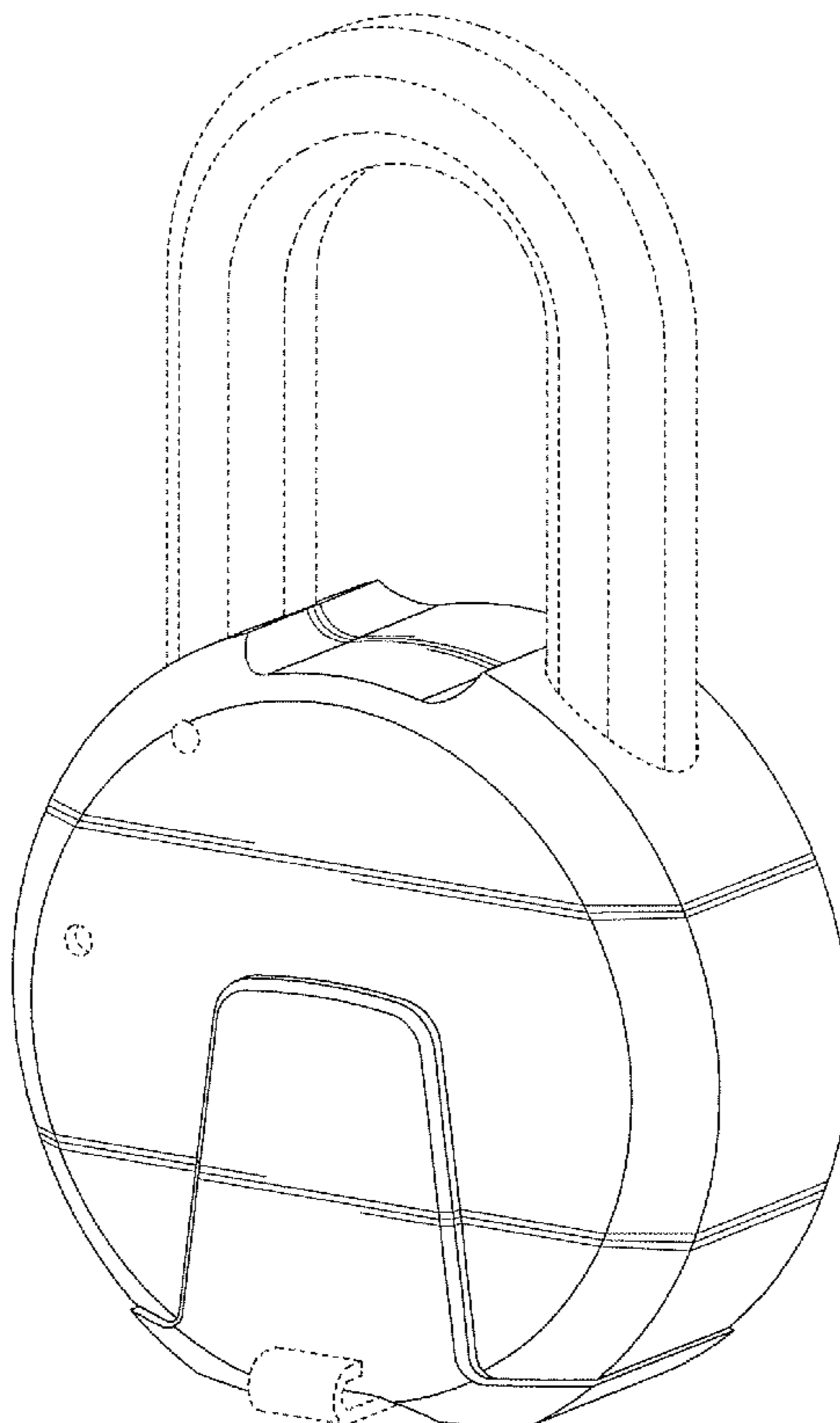
1,016,455 A	2/1912	Stone	
D449,510 S	* 10/2001	Liu	..... D8/334
D484,391 S	* 12/2003	Hackbarth et al.	..... D8/346
D484,777 S	1/2004	Ruan	
D515,908 S	* 2/2006	Kearns et al.	..... D8/334
D524,632 S	* 7/2006	Kearns et al.	..... D8/334
D541,630 S	* 5/2007	Blomstrom et al.	..... D8/334

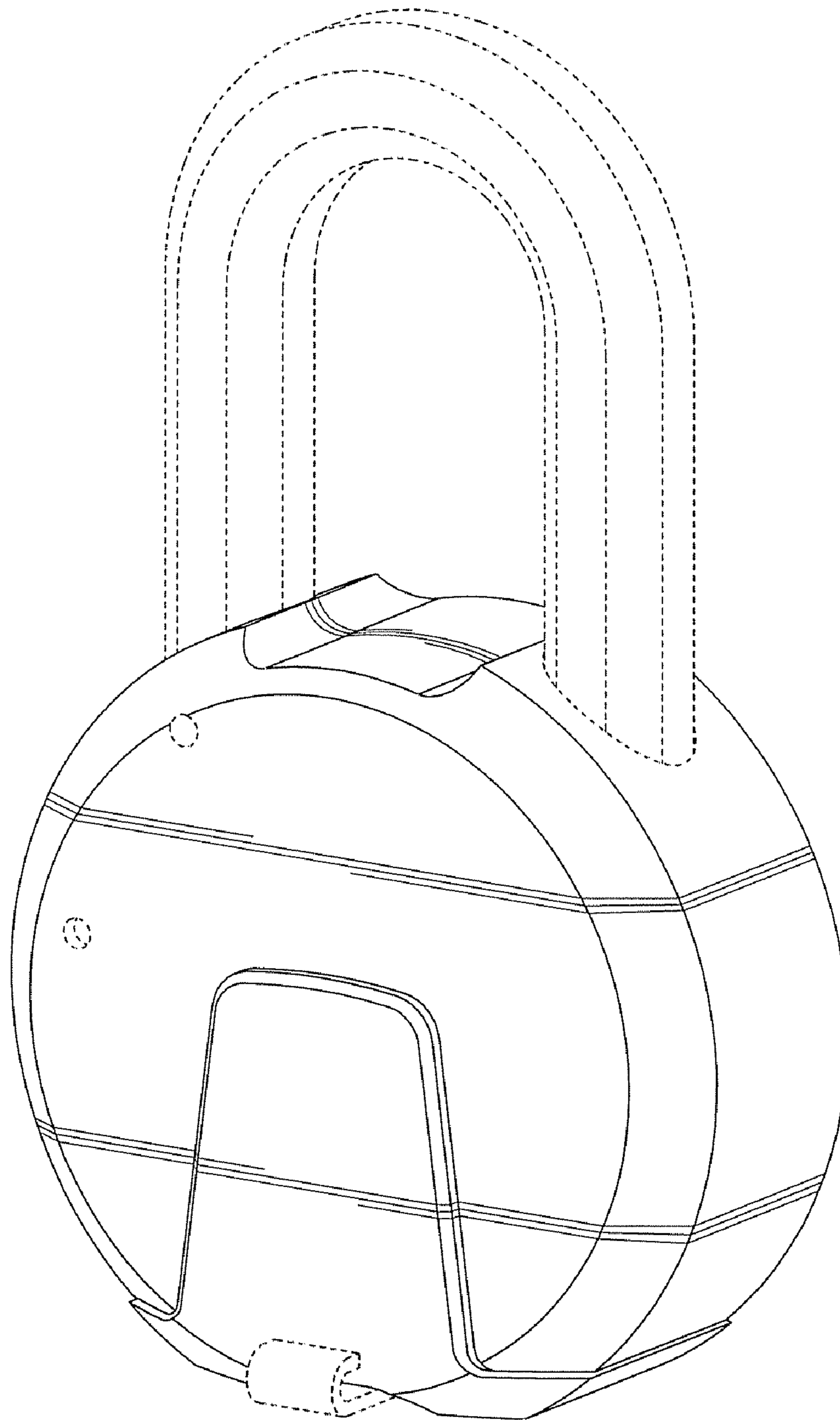
FIG. 6 is a top view of the lock of FIG. 1; and,

FIG. 7 is a bottom view of the lock of FIG. 1.

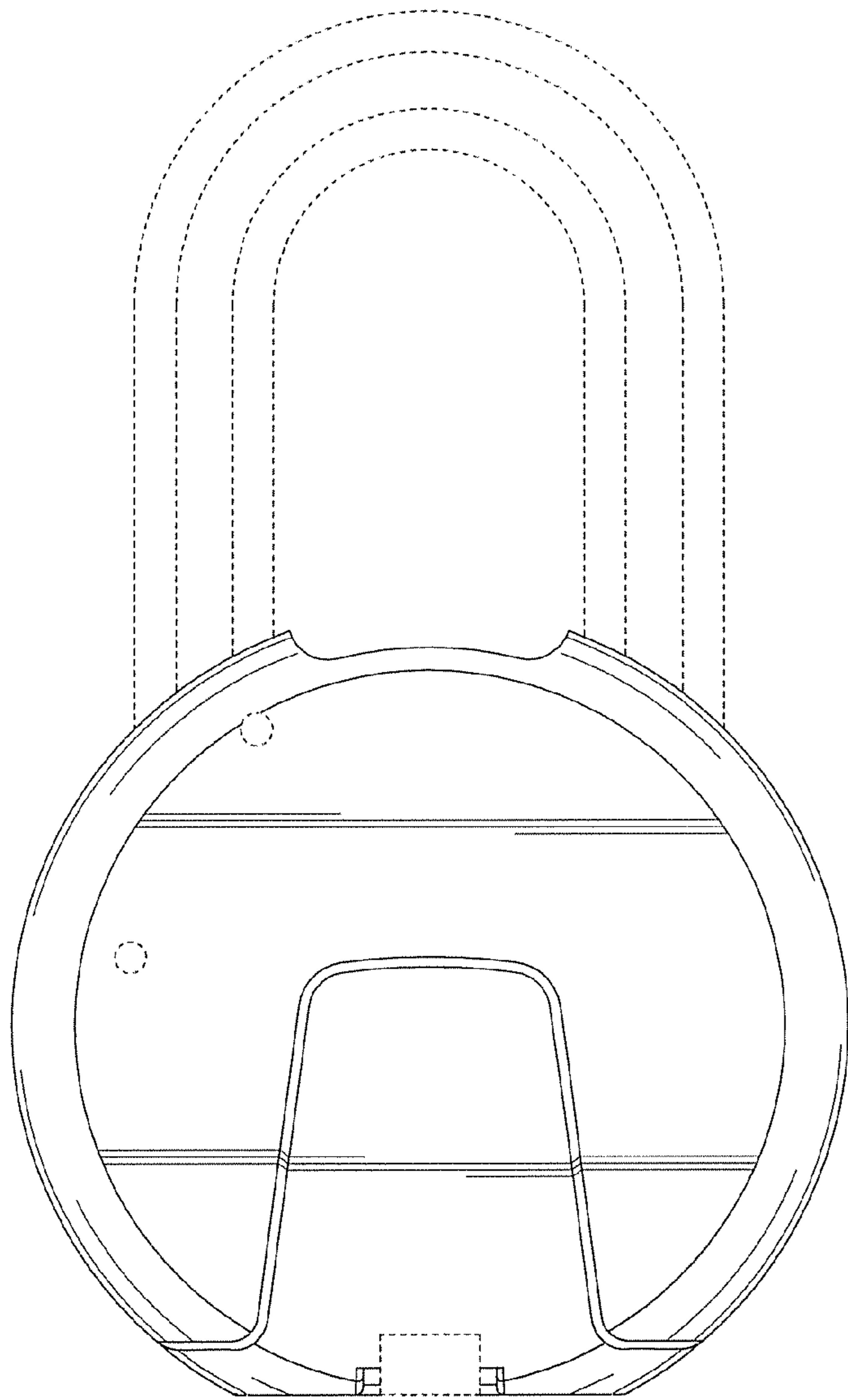
The portions of the Figures shown in phantom lines form no part of the claimed design, but are directed to environment and for illustrative purposes only, or are to define the boundaries of the claimed design.

**1 Claim, 4 Drawing Sheets**

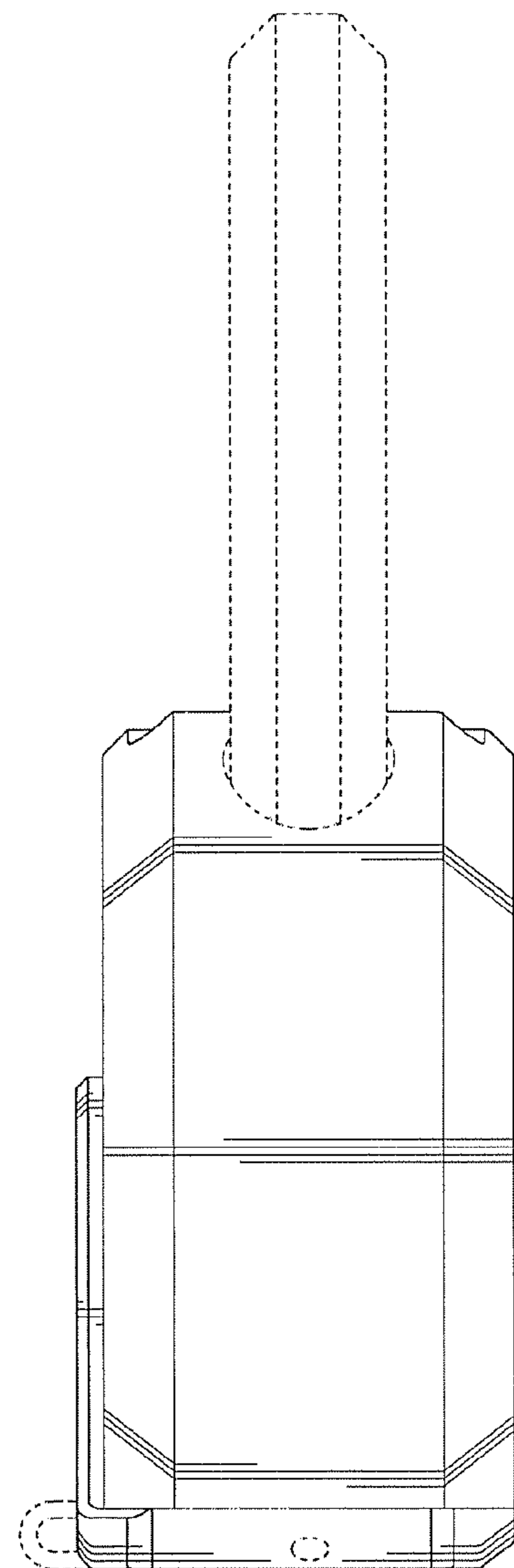




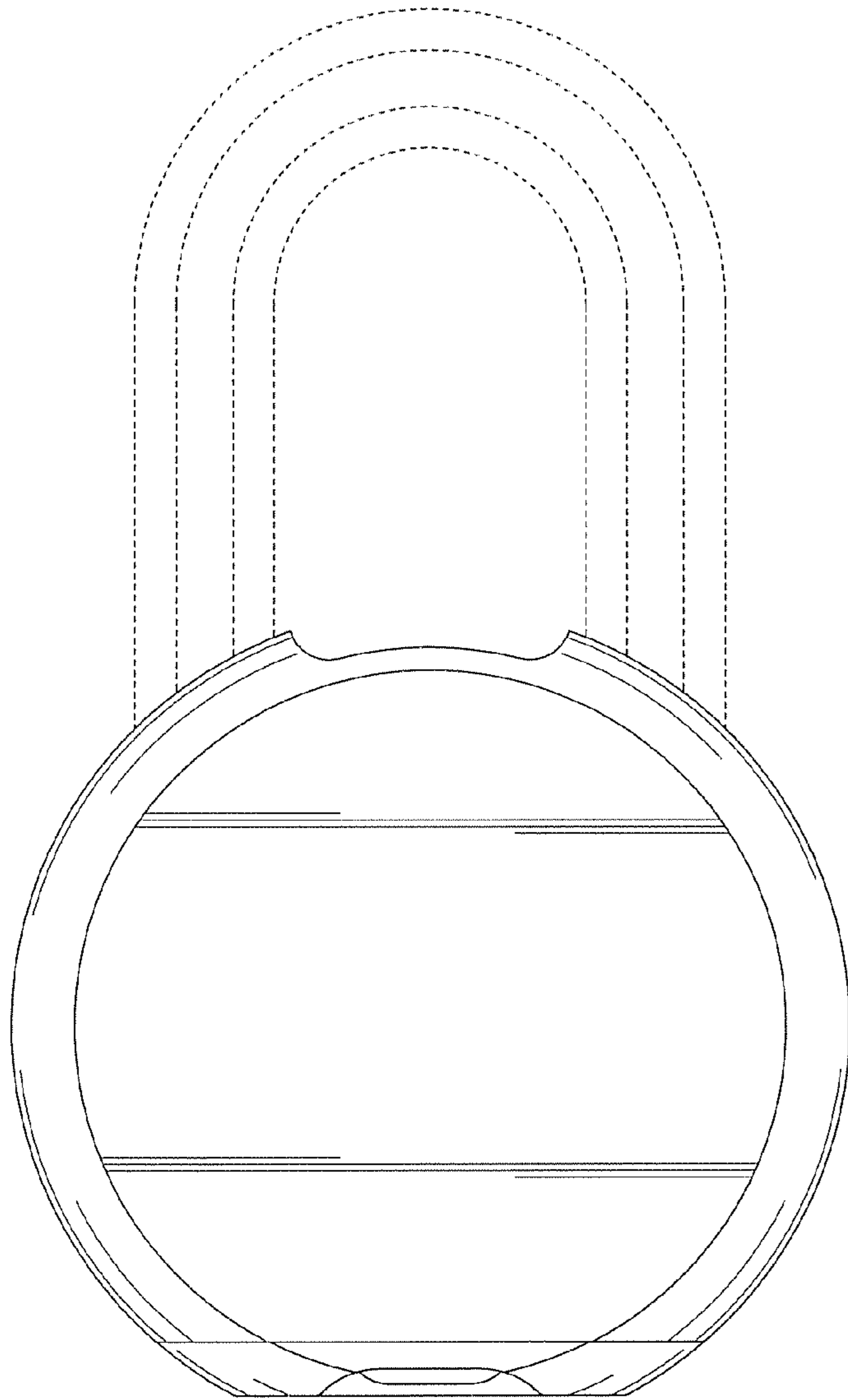
**FIG. 1**



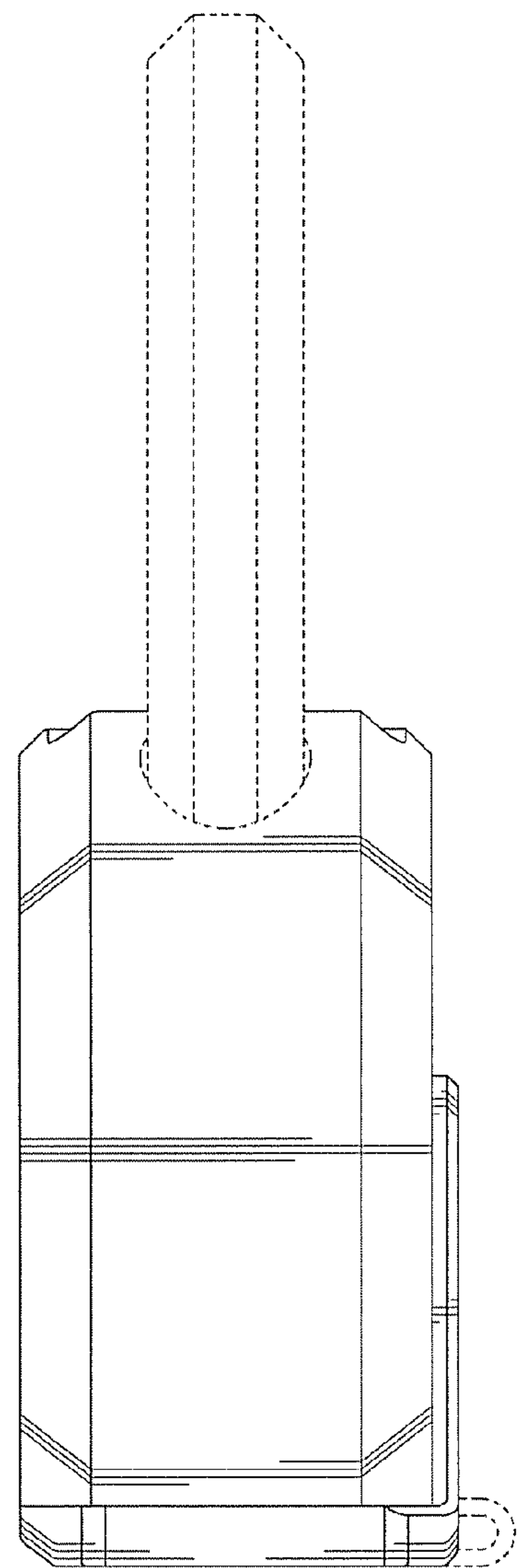
**FIG. 2**



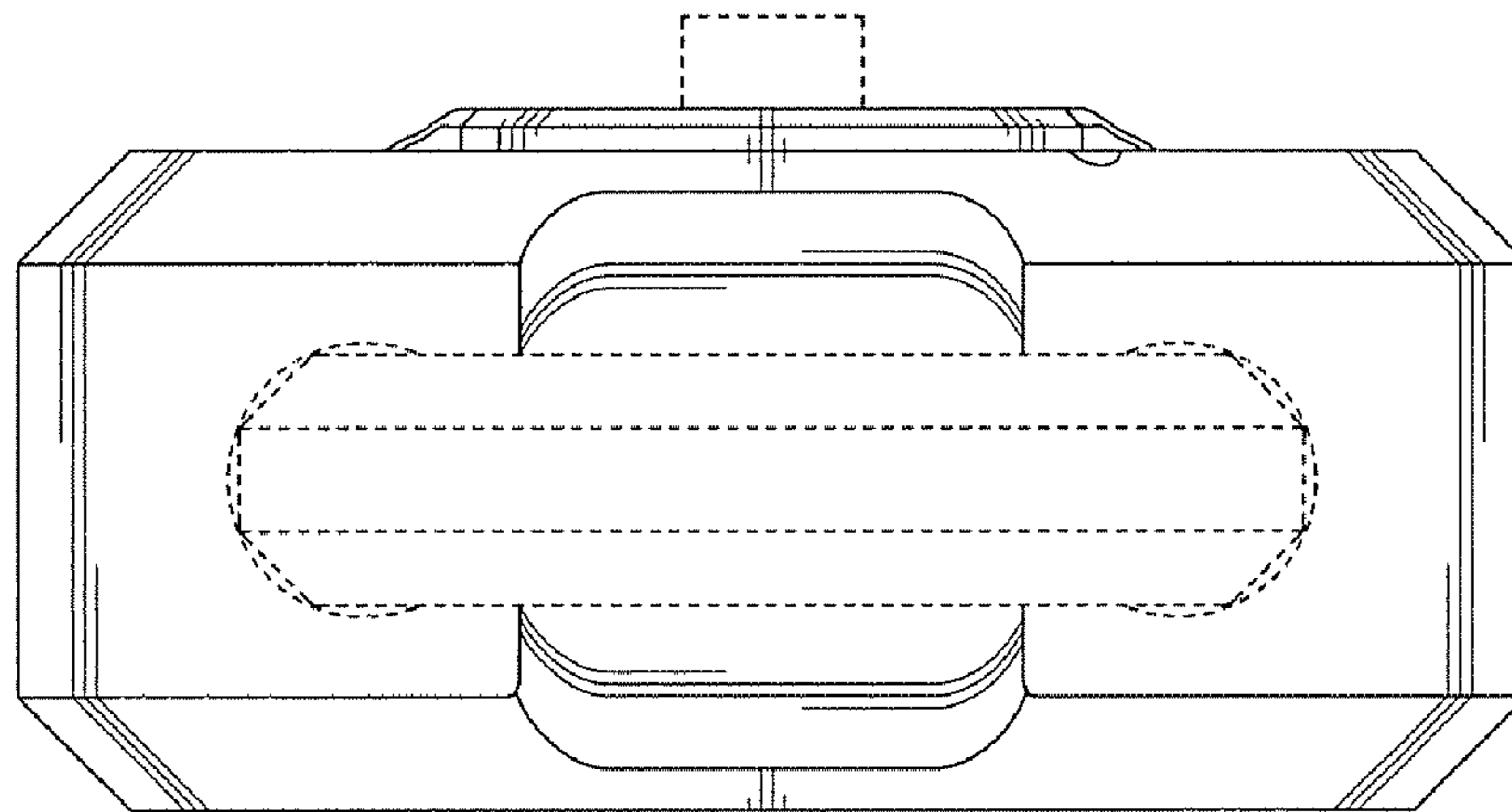
**FIG. 3**



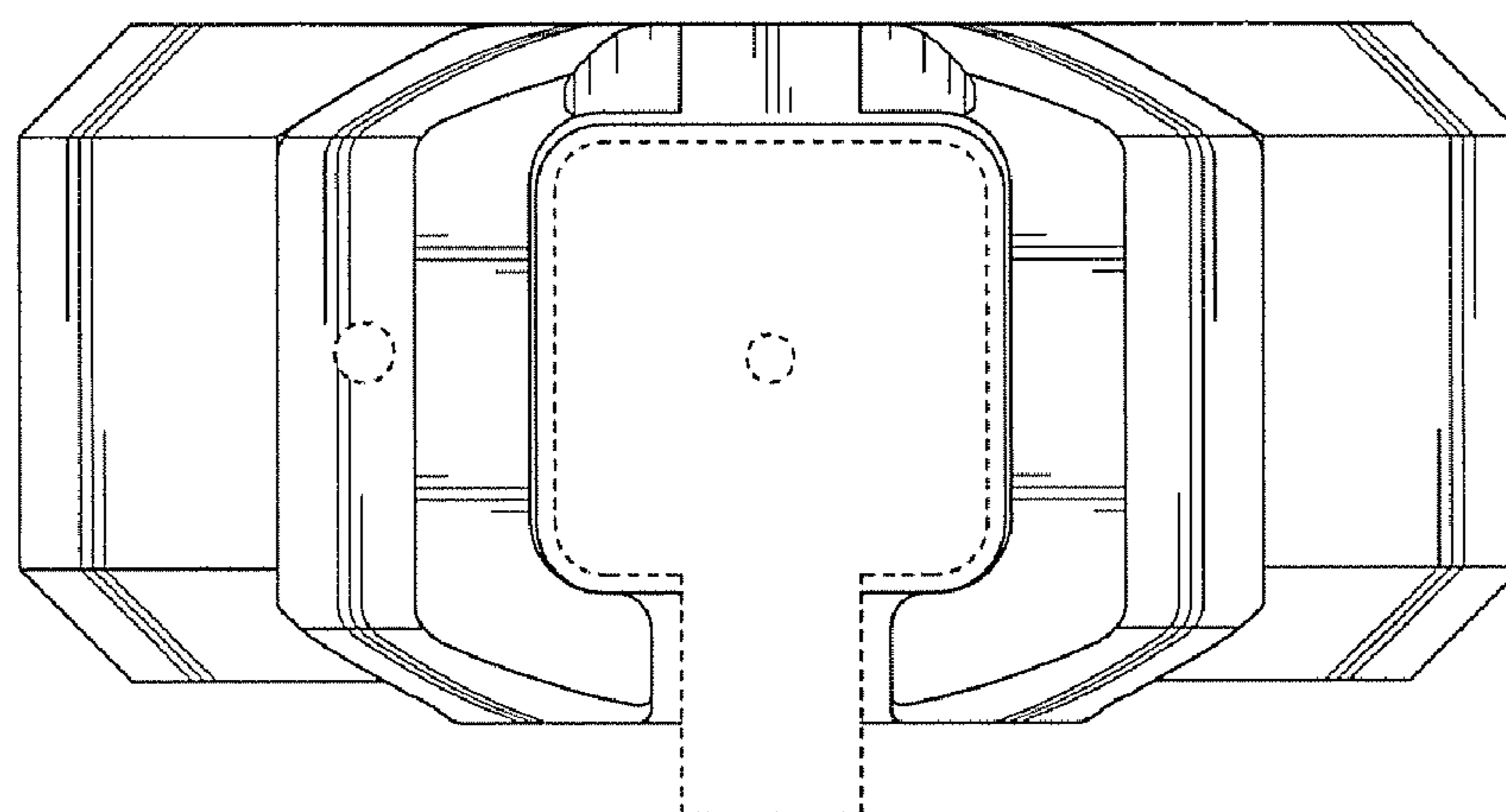
**FIG. 4**



**FIG. 5**



**FIG. 6**



**FIG. 7**