

US00D567626S

(12) **United States Design Patent**
Mattson et al.

(10) **Patent No.:** **US D567,626 S**
(45) **Date of Patent:** **** Apr. 29, 2008**

(54) **CABINET HANDLE**

(75) Inventors: **Deborah Mattson**, Plainwell, MI (US);
Scott A. Thor, Grand Rapids, MI (US);
Jonathan Lorenz, Grand Rapids, MI
(US); **Kevin Dewald**, Spring Lake, MI
(US)

(73) Assignee: **Hickory Hardware, Inc.**, Nashville,
TN (US)

(**) Term: **14 Years**

(21) Appl. No.: **29/295,559**

(22) Filed: **Oct. 1, 2007**

Related U.S. Application Data

(62) Division of application No. 29/243,793, filed on Nov.
30, 2005, now Pat. No. Des. 554,968.

(51) **LOC (8) Cl.** **08-06**

(52) **U.S. Cl.** **D8/307**

(58) **Field of Classification Search** D8/300,
D8/307, 310, 313, 314, 315, 316, 317-318,
D8/321; D23/250-254; D6/315, 320, 327,
D6/367; 16/436, 438, 110.1, 443; 211/87.01;
248/304

See application file for complete search history.

(56) **References Cited**

U.S. PATENT DOCUMENTS

D290,336 S * 6/1987 Paul D8/308

D323,022 S * 1/1992 Ragonot D23/252
D346,205 S * 4/1994 Sauter et al. D23/252
D532,873 S * 11/2006 Soriano D23/252
D538,132 S * 3/2007 Morris D8/307
D553,944 S * 10/2007 Jou D8/316
D554,968 S * 11/2007 Mattson et al. D8/300

* cited by examiner

Primary Examiner—Paula A. Greene

(74) *Attorney, Agent, or Firm*—Perman & Green, LLP

(57) **CLAIM**

The ornamental design for cabinet handle, as shown and
described.

DESCRIPTION

FIG. 1 is a front perspective view of a cabinet handle
showing our new design;

FIG. 2 is a side view of the handle shown in FIG. 1.

FIG. 3 is a front view of the handle shown in FIG. 1.

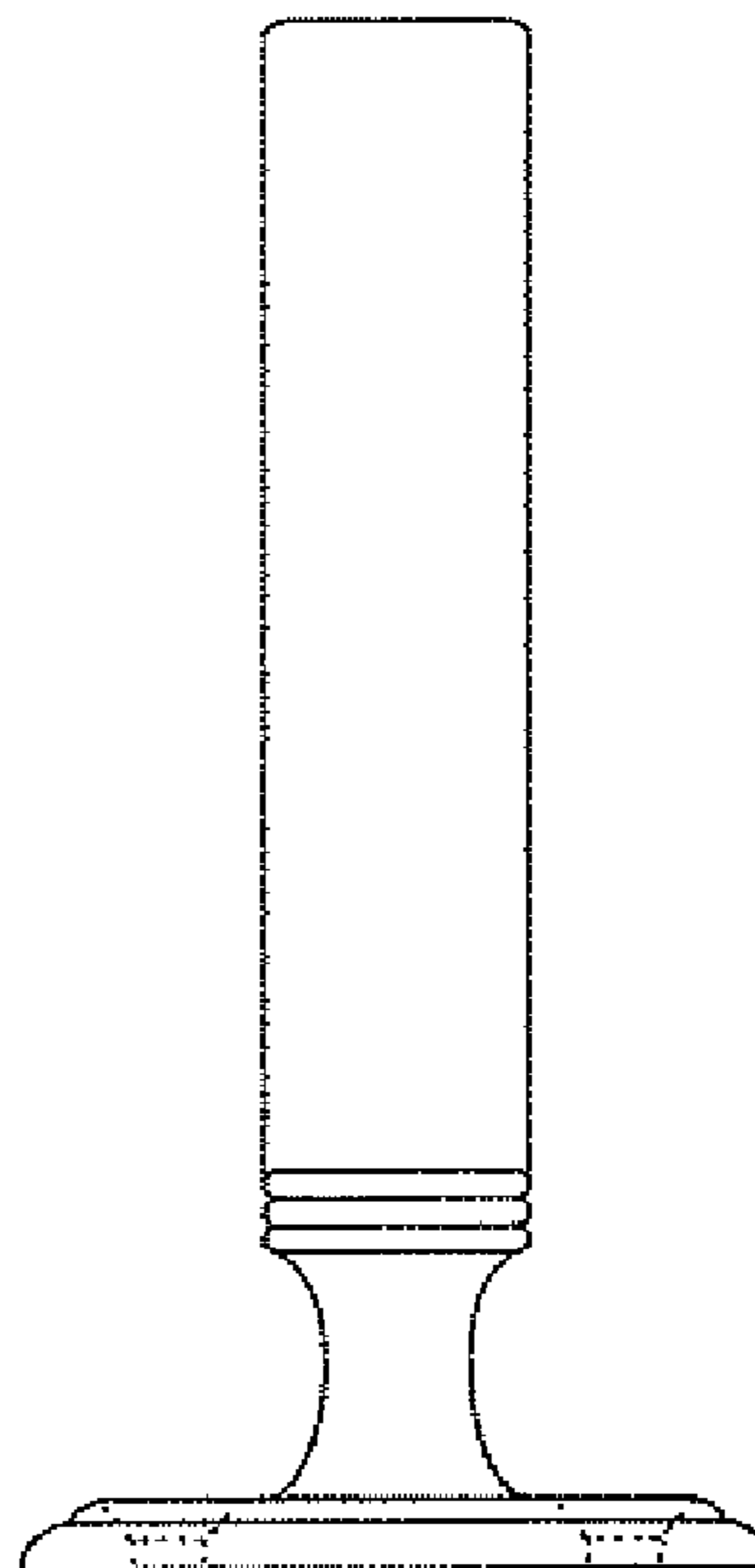
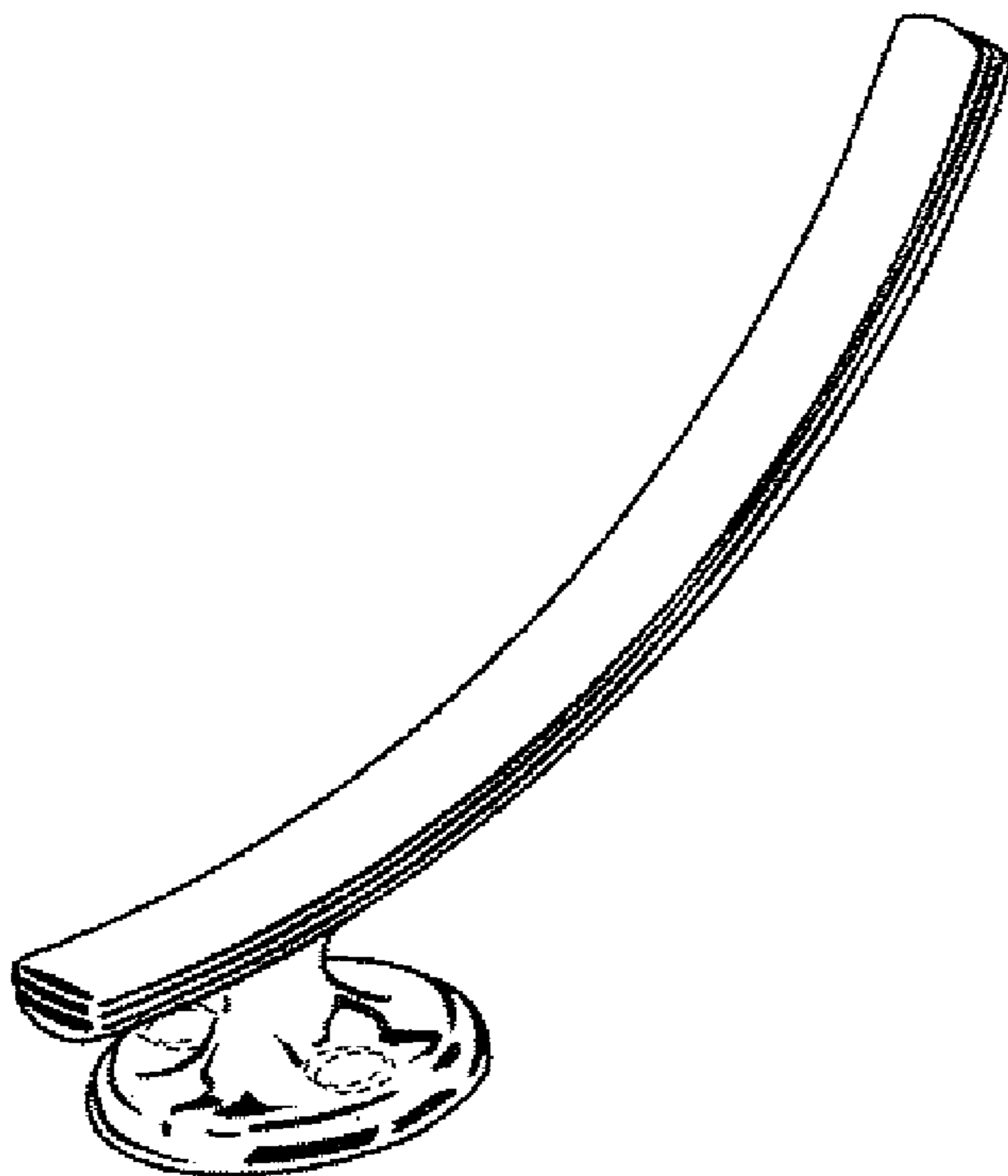
FIG. 4 is a bottom view of the handle shown in FIG. 1.

FIG. 5 is a cross section of the base portion of the handle
shown in FIG. 1, taken along lines 5—5 shown in FIG. 2;
and,

FIG. 6 is a cross section of the handle portion of the handle
shown in FIG. 1, taken along lines 6—6 shown in FIG. 2.

Portions of the FIGS. 1-6 that are shown as broken lines are
for illustrative purposes only and form no part of the claimed
design.

1 Claim, 2 Drawing Sheets



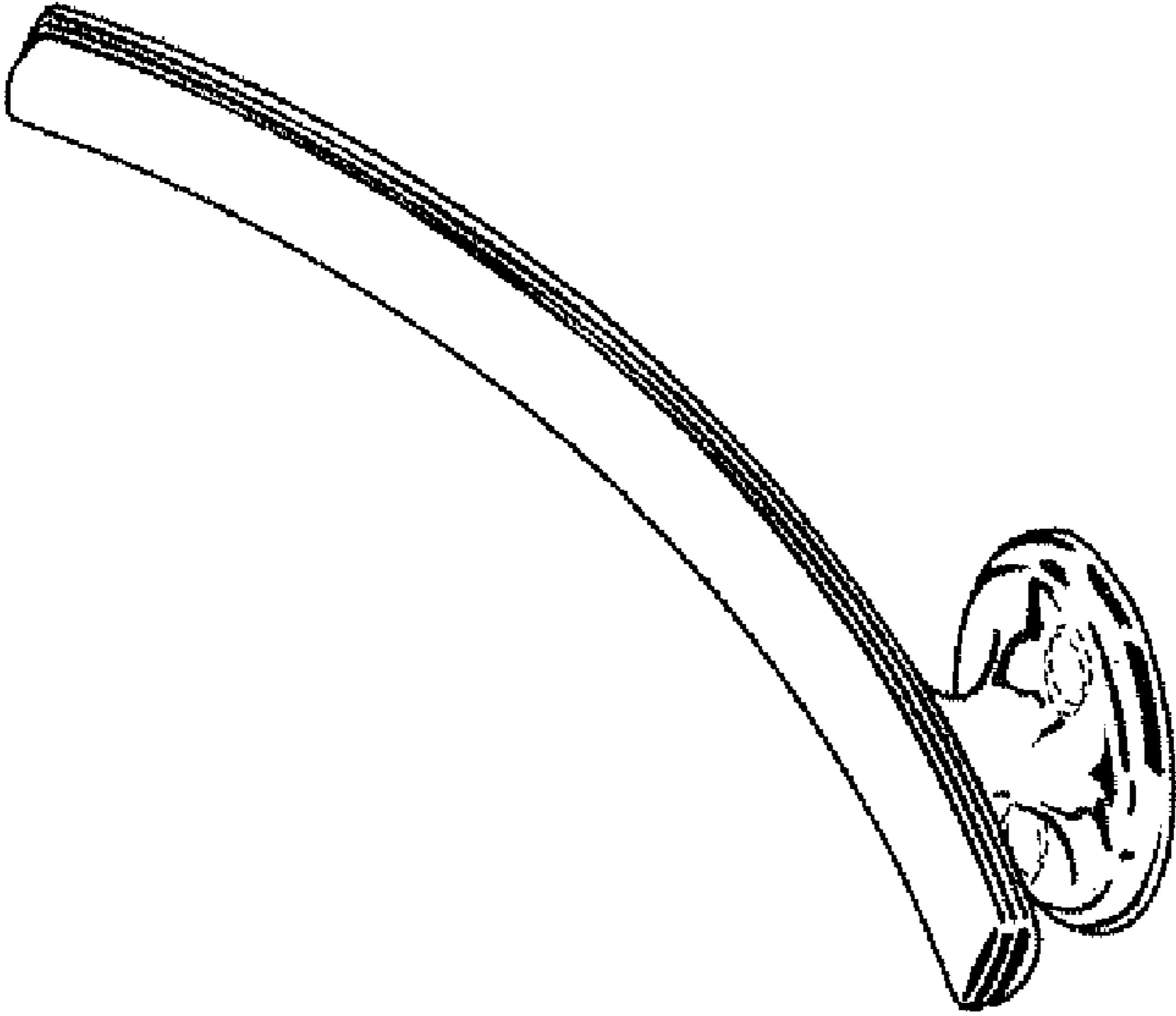


FIG. 1

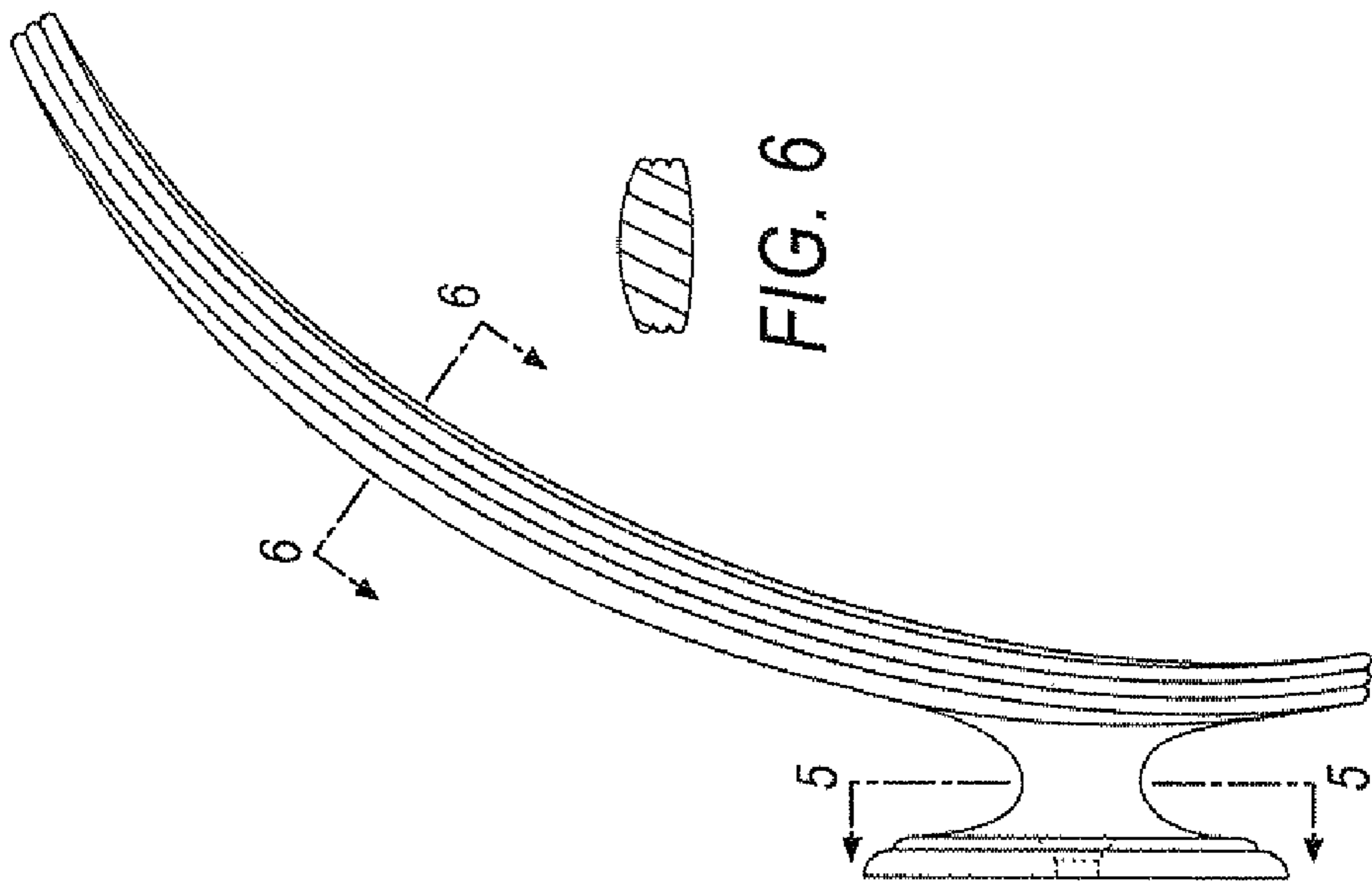


FIG. 2



FIG. 5



FIG. 6

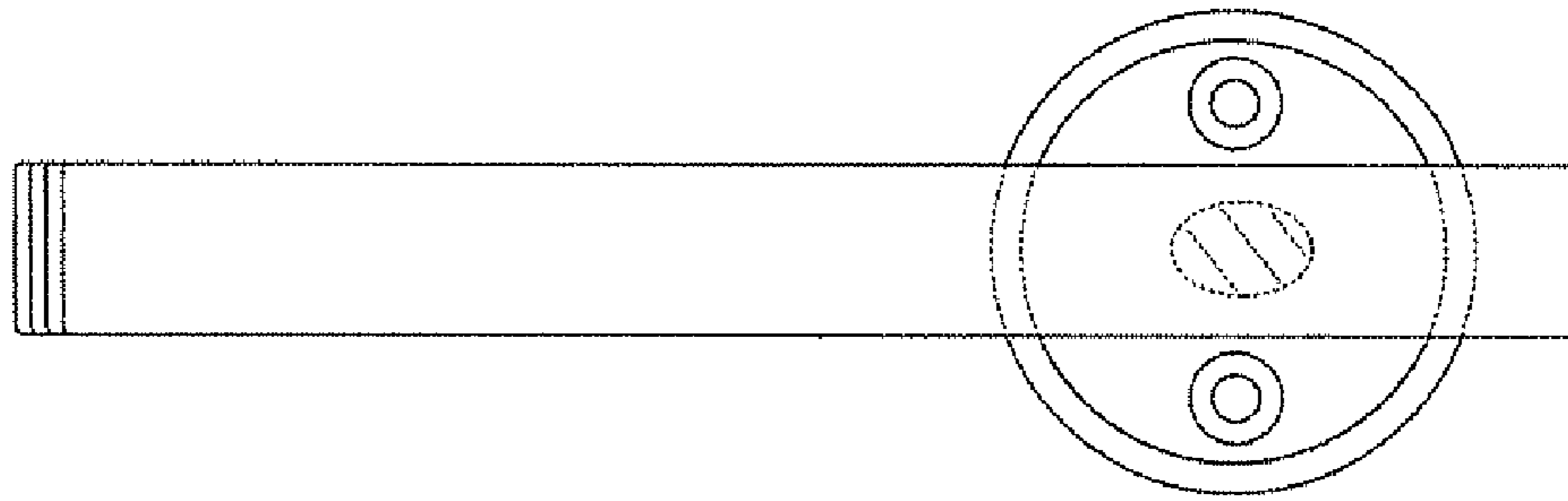


FIG. 3

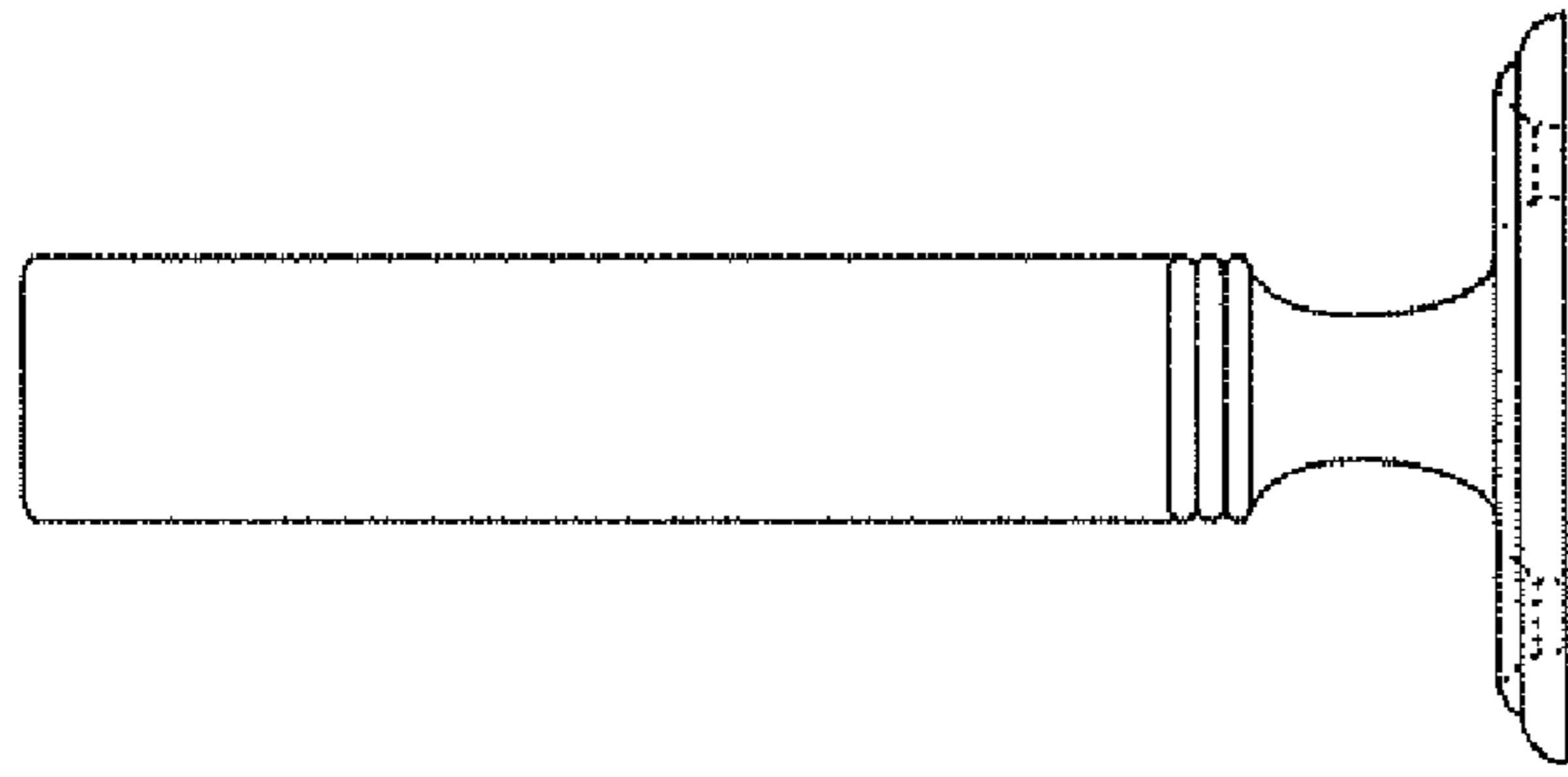


FIG. 4