



US00D567624S

(12) **United States Design Patent**  
**Ricereto**

(10) **Patent No.:** **US D567,624 S**  
(45) **Date of Patent:** **\*\* Apr. 29, 2008**

(54) **KNOB**

(75) Inventor: **Michael Hart Ricereto**, Baltimore, MD  
(US)

(73) Assignee: **Newell Operating Company**, Atlanta,  
GA (US)

(\*\*) Term: **14 Years**

(21) Appl. No.: **29/278,562**

(22) Filed: **Apr. 2, 2007**

(51) **LOC (8) Cl.** ..... **08-06**

(52) **U.S. Cl.** ..... **D8/307; D8/310**

(58) **Field of Classification Search** ..... D8/300,  
D8/307, 310, DIG. 2, 350, 352; D23/250-254;  
292/336.3, 337, 347, 357, 356; 16/402, 412,  
16/441, DIG. 30, 110.1

See application file for complete search history.

(56) **References Cited**

**U.S. PATENT DOCUMENTS**

D6,956 S \* 10/1873 Hollis ..... D8/310  
436,523 A 9/1890 Glover

D22,755 S 8/1893 Russell  
D35,238 S 10/1901 Tower  
784,131 A 3/1905 Assel  
D47,069 S 3/1915 Burns

(Continued)

*Primary Examiner*—Paula A. Greene

(74) *Attorney, Agent, or Firm*—Banner & Witcoff, Ltd.

(57) **CLAIM**

I claim the ornamental design for a knob, as shown and described.

**DESCRIPTION**

FIG. 1 is a perspective view of a knob of the claimed invention;

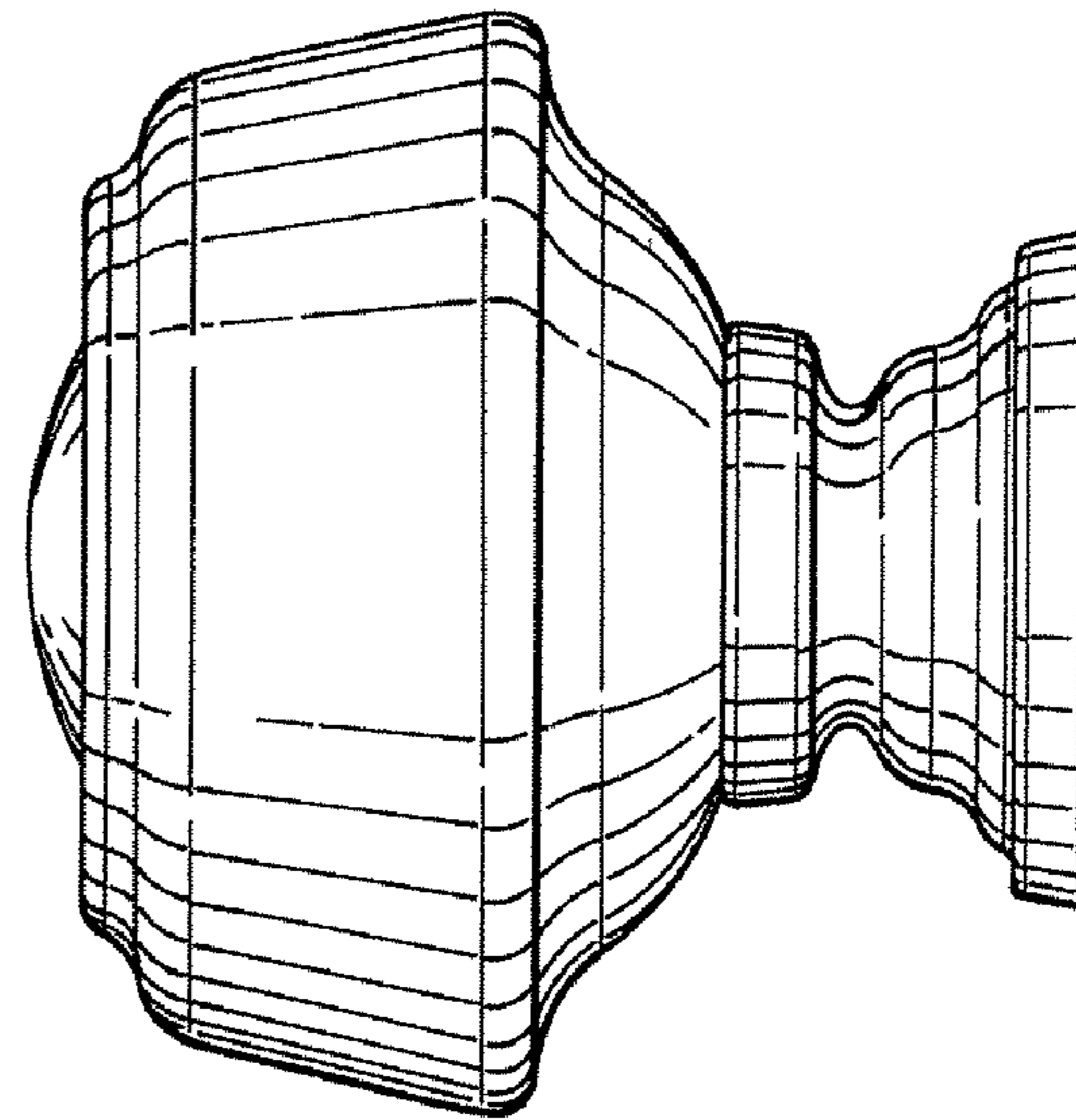
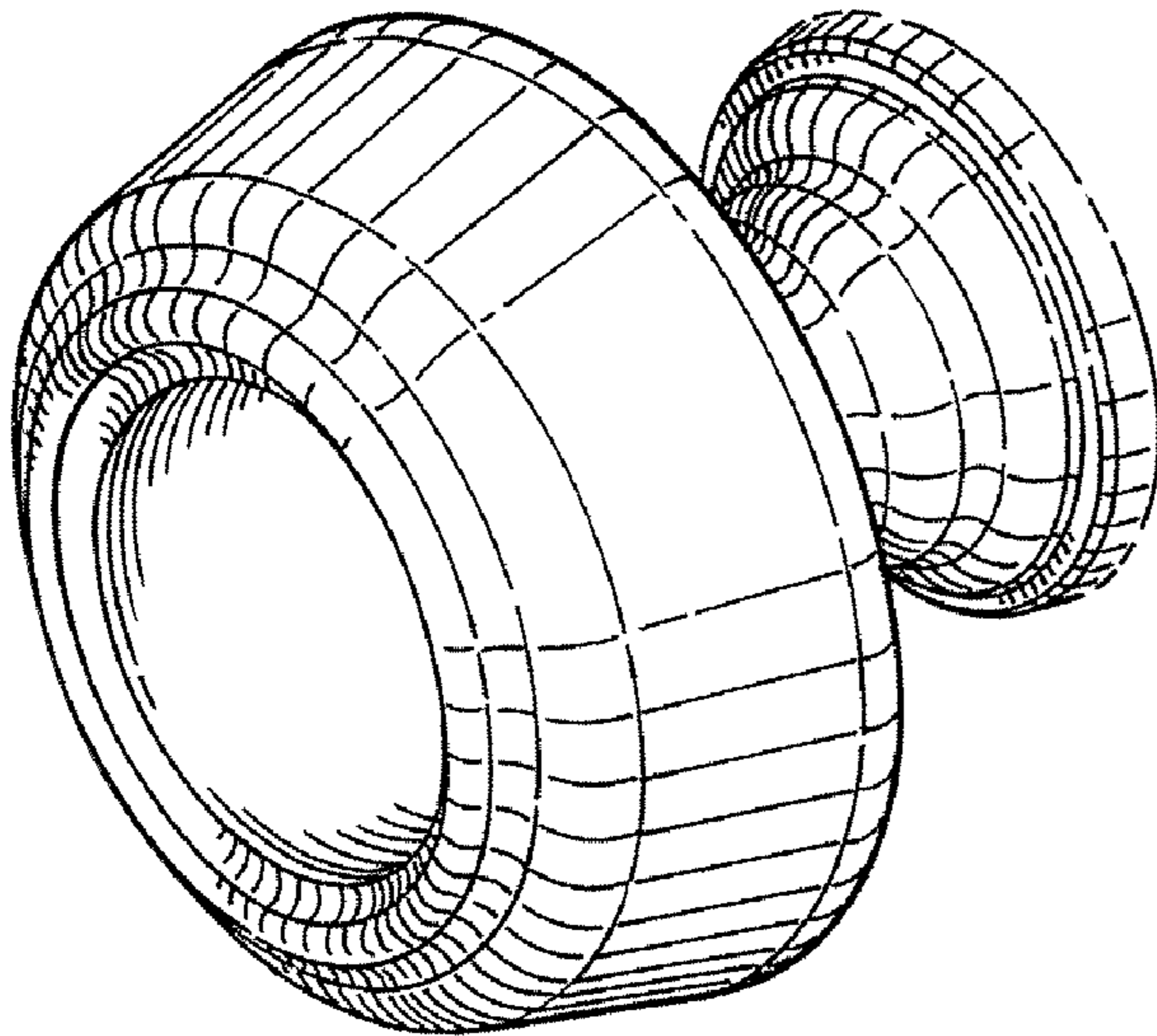
FIG. 2 is a side view of the knob shown in FIG. 1, each side view being identical thereto;

FIG. 3 is a front view of the knob shown in FIG. 1; and,

FIG. 4 is a rear view of the knob shown in FIG. 1.

Features shown in broken lines in the drawings form no part of the claimed design.

**1 Claim, 1 Drawing Sheet**



# US D567,624 S

U.S. PATENT DOCUMENTS					
D67,474 S	6/1925	Rosenthal	D327,530 S	6/1992	Rawald
2,002,817 A	5/1935	Johnson	D333,697 S	3/1993	Thomas
D98,440 S	2/1936	Martin	5,255,413 A	10/1993	Sabo
D100,034 S	6/1936	McCormick	5,333,430 A	8/1994	Vidal
D104,262 S	4/1937	Hewes	D355,834 S	2/1995	Chieda
D115,537 S	7/1939	Bahr	D355,835 S	2/1995	Chieda
D116,935 S	10/1939	Jung	D355,837 S	2/1995	Chieda
D121,558 S	7/1940	Borchers	D355,838 S	2/1995	Chieda
D127,190 S	5/1941	Jung	D355,839 S	2/1995	Chieda
D152,901 S	3/1949	Petersen	D356,724 S	3/1995	Chieda
D169,533 S	5/1953	Deadrick	D357,168 S	4/1995	Chieda
2,688,297 A	9/1954	Livermont et al.	D361,491 S	8/1995	Chieda
D176,713 S *	1/1956	Ellis ..... D8/310	D361,492 S	8/1995	Chieda
D178,865 S	10/1956	Clayton	D361,493 S	8/1995	Chieda
D179,220 S *	11/1956	Russell ..... D8/310	D361,496 S	8/1995	Chieda
2,796,627 A	6/1957	Heyer	D361,498 S	8/1995	Chieda
D186,053 S	9/1959	Clayton	D361,707 S	8/1995	Chieda
D191,471 S *	10/1961	Russell ..... D8/310	D366,998 S	2/1996	Hollingsworth
D194,968 S	4/1963	Stelma	D367,217 S	2/1996	Hollingsworth-Ainscough
3,096,115 A *	7/1963	Patriquin et al. .... 292/347	D367,417 S	2/1996	Ainscough
D199,839 S	12/1964	Simpson	D368,014 S	3/1996	Ainscough
D200,953 S	4/1965	Menezes et al.	D368,638 S	4/1996	Sonnenleiter
D203,147 S	12/1965	Kaiser	D368,639 S	4/1996	Chieda
D203,148 S	12/1965	Kaiser	D368,640 S	4/1996	Sonnenleiter
D204,128 S	3/1966	Clayton	D368,642 S	4/1996	Chieda
D204,461 S	4/1966	Volker	D368,643 S	4/1996	Sonnenleiter
D207,898 S	6/1967	Doman	D368,644 S	4/1996	Bishop
3,471,190 A *	10/1969	Turnbull et al. .... 292/356	D368,842 S	4/1996	Sonnenleiter
D217,431 S	5/1970	Russell	D370,613 S	6/1996	Ainscough
D219,702 S	1/1971	Korol	D370,614 S	6/1996	Ainscough
3,592,499 A *	7/1971	Nelson et al. .... 292/347	D371,062 S	6/1996	Ainscough
D222,232 S	10/1971	Horgan	D372,414 S	8/1996	De'Armond
D224,225 S	7/1972	Doman	D372,657 S	8/1996	De'Armond
D232,621 S	9/1974	Zagaroli	D372,659 S	8/1996	De'Armond
D241,843 S	10/1976	Shames	D373,065 S	8/1996	De'Armond
D252,092 S	6/1979	Popeck	D373,066 S	8/1996	De'Armond
D252,183 S	6/1979	DeWindt	D373,067 S	8/1996	De'Armond
4,193,166 A	3/1980	Neff	D374,390 S	10/1996	De'Armond
D256,862 S	9/1980	Ryan et al.	D377,655 S	1/1997	Smith
D267,187 S	12/1982	Ronvik	D377,747 S	2/1997	De'Armond
D267,774 S	2/1983	Pittenger	D381,252 S	7/1997	Chieda
D267,926 S	2/1983	Pittenger	D386,667 S	11/1997	Smith
D268,246 S	3/1983	Tegner	D388,272 S	12/1997	Moore
D270,993 S	10/1983	Tegner	D396,179 S	7/1998	Burns et al.
D270,994 S	10/1983	Tegner	D396,180 S	7/1998	Burns et al.
D271,464 S	11/1983	Carlson	D399,117 S	10/1998	Burns et al.
D272,800 S	2/1984	Pawlow	D399,406 S	10/1998	Decursu et al.
D274,035 S	5/1984	Pawlow	D399,407 S	10/1998	Burns et al.
D274,123 S	6/1984	Tegner	D399,723 S	10/1998	Burns et al.
D284,737 S	7/1986	Clayton	D401,834 S	12/1998	Burns et al.
D290,337 S	6/1987	Savage	D401,835 S	12/1998	Burns et al.
D290,493 S	6/1987	Dragos	D403,230 S	12/1998	Ziemer et al.
D295,827 S	5/1988	Benjamin	D403,571 S	1/1999	Burns et al.
D296,073 S	6/1988	Rhoades	D406,745 S	3/1999	Burns et al.
D297,211 S	8/1988	Rhoades	D411,728 S	6/1999	O'Neil
D300,505 S	4/1989	Palm, Jr. et al.	D411,793 S	7/1999	O'Neil
D305,862 S	2/1990	Clayton	D411,794 S	7/1999	O'Neil
D305,863 S	2/1990	Gresens et al.	D411,795 S	7/1999	O'Neil
D312,381 S	11/1990	Clayton	D413,248 S	8/1999	O'Neil
D322,659 S	12/1991	Reid et al.	D414,100 S	9/1999	O'Neil
D323,726 S	2/1992	Murphy	D415,257 S	10/1999	Abel
D326,219 S	5/1992	Clayton	D415,405 S	10/1999	O'Neil
D326,990 S	6/1992	Bishop	D416,465 S	11/1999	O'Neil
D326,991 S	6/1992	Bishop	D418,387 S	1/2000	O'Neil
D326,992 S	6/1992	Clayton	D418,388 S	1/2000	O'Neil
D326,993 S	6/1992	Clayton	D418,389 S	1/2000	O'Neil
D326,994 S	6/1992	Bishop	D418,803 S	1/2000	Klimenko
D326,997 S	6/1992	Clayton	D429,455 S	8/2000	Burns et al.
D327,196 S	6/1992	Crook et al.	D429,991 S	8/2000	Short
D327,407 S	6/1992	Clayton	D431,442 S	10/2000	Short
D327,420 S	6/1992	Bishop	D431,444 S	10/2000	Short
			D431,445 S	10/2000	Short
			D431,996 S	10/2000	Short

# US D567,624 S

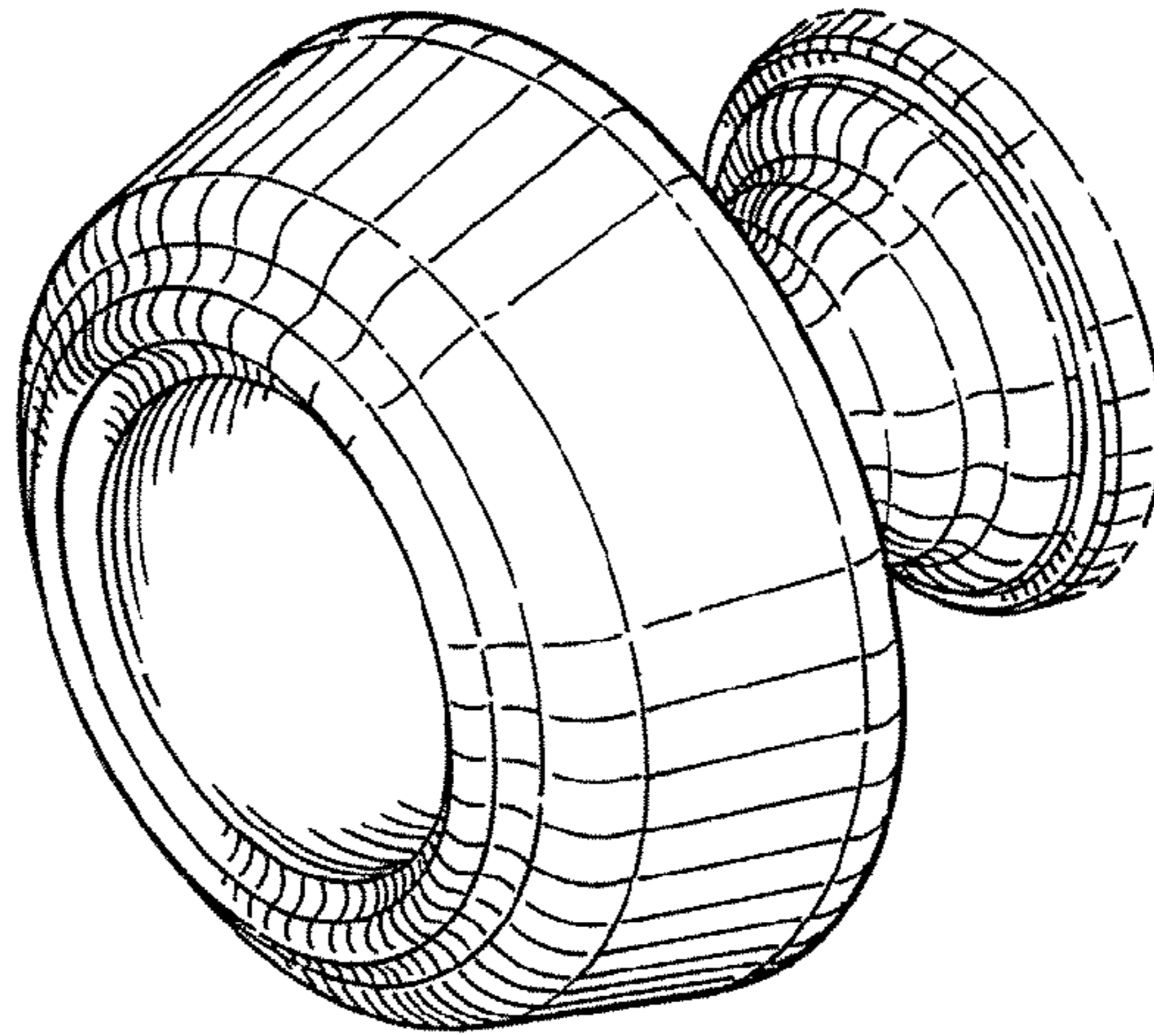
Page 3

---

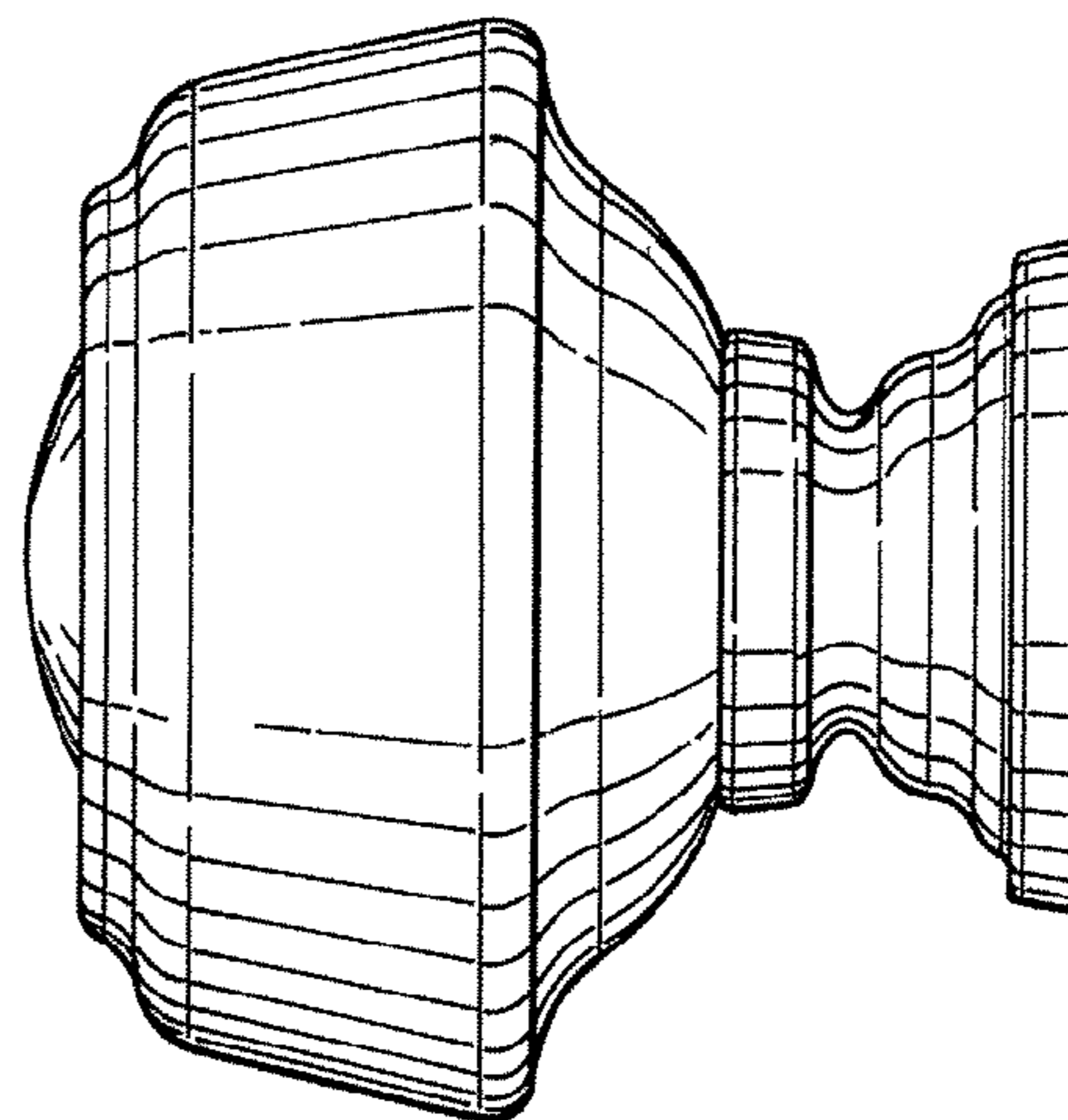
D434,633 S	12/2000	Short		D526,883 S	8/2006	Gilbert
D434,962 S	12/2000	Short		D541,131 S	4/2007	Ricereto et al.
D434,963 S	12/2000	Short		D541,619 S	5/2007	Ricereto
D435,424 S	12/2000	Short		D542,116 S	5/2007	Ricereto et al.
D435,426 S	12/2000	Short		D542,119 S	5/2007	Ricereto
D437,202 S	2/2001	O'Neil		D542,622 S	5/2007	Ricereto
D442,462 S	5/2001	Dewald et al.		D542,623 S	5/2007	Ricereto
D454,049 S *	3/2002	LaPlume et al. ....	D8/301	D543,088 S	5/2007	Ricereto
D493,686 S *	8/2004	Fields .....	D8/310	D543,436 S	5/2007	Ricereto
D506,378 S	6/2005	Coudurier		D545,665 S	7/2007	Ricereto et al.
D506,665 S *	6/2005	Sun et al. ....	D8/310			
D518,353 S *	4/2006	Van Handel .....	D8/300			

\* cited by examiner

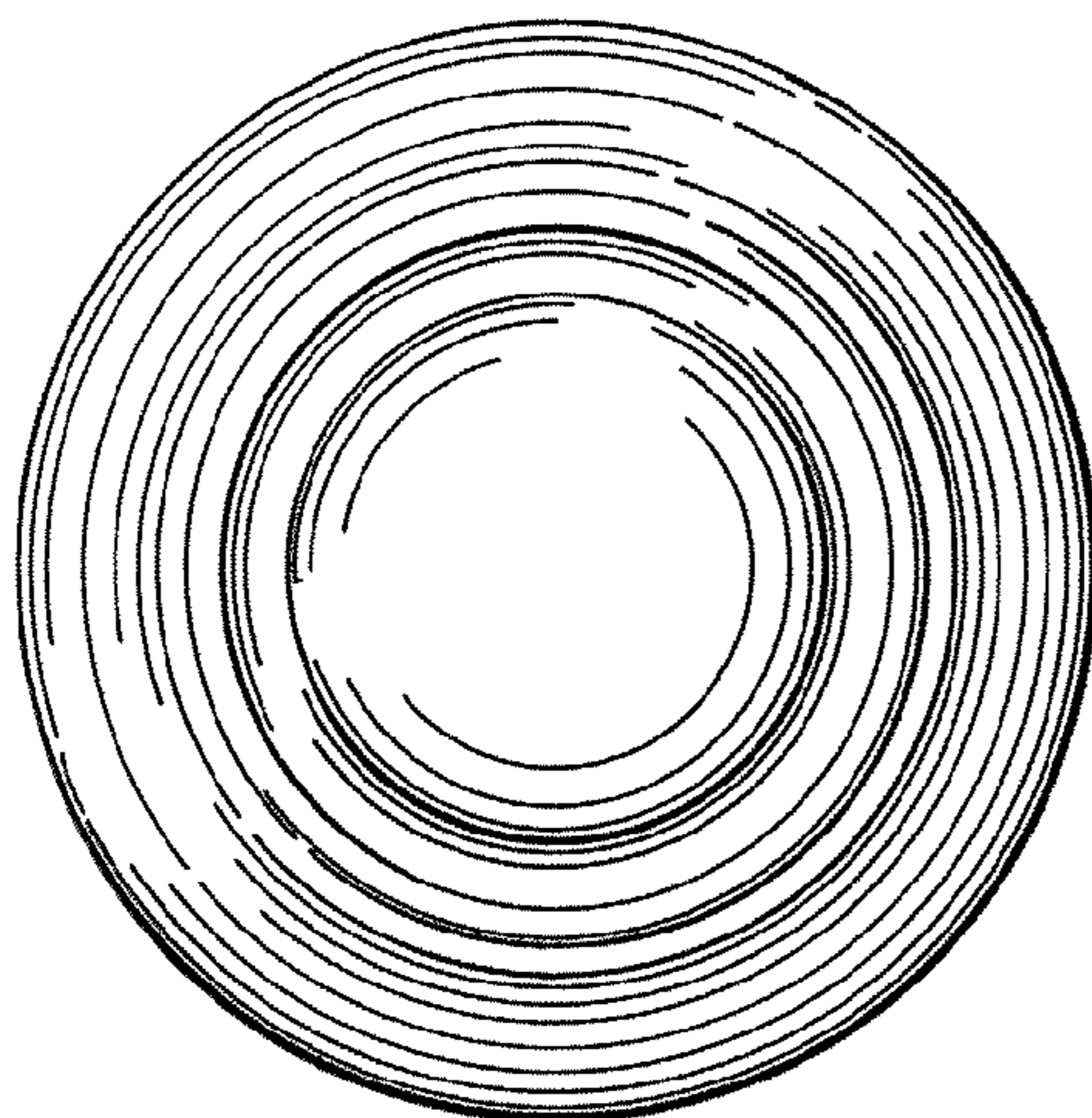
**FIG. 1**



**FIG. 2**



**FIG. 3**



**FIG. 4**

