



US00D567622S

(12) **United States Design Patent**
Takamasa

(10) **Patent No.:** **US D567,622 S**

(45) **Date of Patent:** **** *Apr. 29, 2008**

(54) **UTILITY KNIFE**

(75) Inventor: **Mitsuhiro Takamasa**, Kameoka (JP)

(73) Assignee: **KDS Corporation**, Kyoto (JP)

(*) Notice: This patent is subject to a terminal disclaimer.

(**) Term: **14 Years**

(21) Appl. No.: **29/263,631**

(22) Filed: **Jul. 27, 2006**

(30) **Foreign Application Priority Data**

Jan. 30, 2006 (JP) 2006-001877

(51) **LOC (8) Cl.** **08-03**

(52) **U.S. Cl.** **D8/99**

(58) **Field of Classification Search** D8/98,
D8/99, 105, 107; 30/320, 329, 337, 161,
30/162, 2

See application file for complete search history.

(56) **References Cited**

U.S. PATENT DOCUMENTS

5,269,063 A * 12/1993 Okada 30/162
D386,959 S * 12/1997 Okada D8/99
D398,829 S * 9/1998 Okada D8/99
D399,114 S * 10/1998 Okada D8/99
D442,054 S * 5/2001 Okada et al. D8/99

D453,673 S * 2/2002 Chen D8/99
D459,189 S * 6/2002 Chong D8/99
D499,948 S * 12/2004 Kondo et al. D8/99
D517,894 S * 3/2006 Kondo et al. D8/99
D523,316 S * 6/2006 Kondo et al. D8/99

OTHER PUBLICATIONS

Catalogue "L' Alta Precisione Nelle Misurazioni" issued by Volam. D. Exhibit No. HD06010834 (Jul. 8, 1994).

* cited by examiner

Primary Examiner—Philip S. Hyder

(74) *Attorney, Agent, or Firm*—Birch, Stewart, Kolasch & Birch, LLP

(57) **CLAIM**

The ornamental design for a utility knife, as shown.

DESCRIPTION

FIG. 1 is a perspective view of a utility knife showing my new design;

FIG. 2 is a front view thereof;

FIG. 3 is a rear view thereof;

FIG. 4 is a top plan view thereof;

FIG. 5 is a bottom plan view thereof;

FIG. 6 is a right side view thereof; and,

FIG. 7 is a left side view thereof.

1 Claim, 3 Drawing Sheets

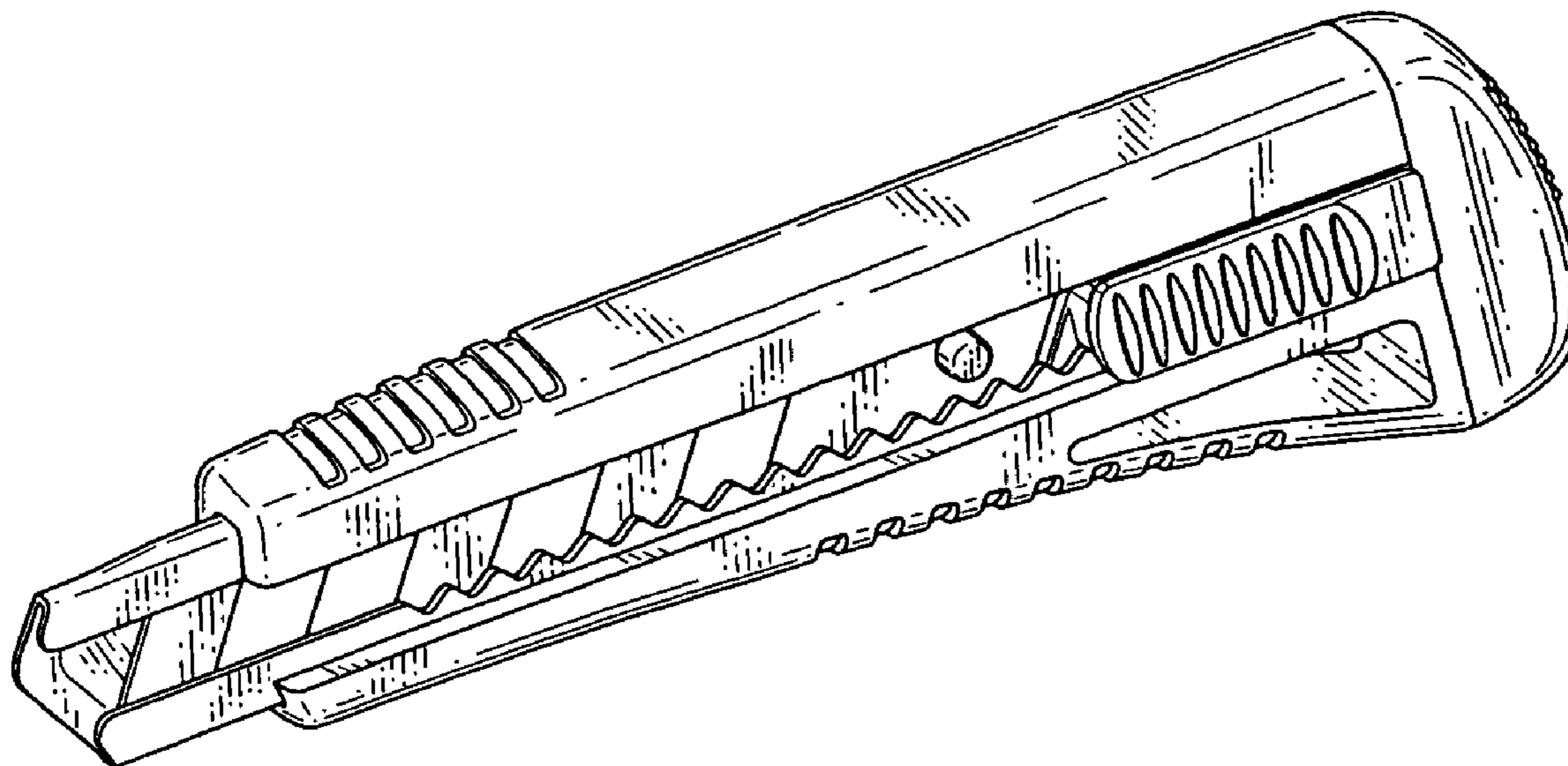


Fig. 1

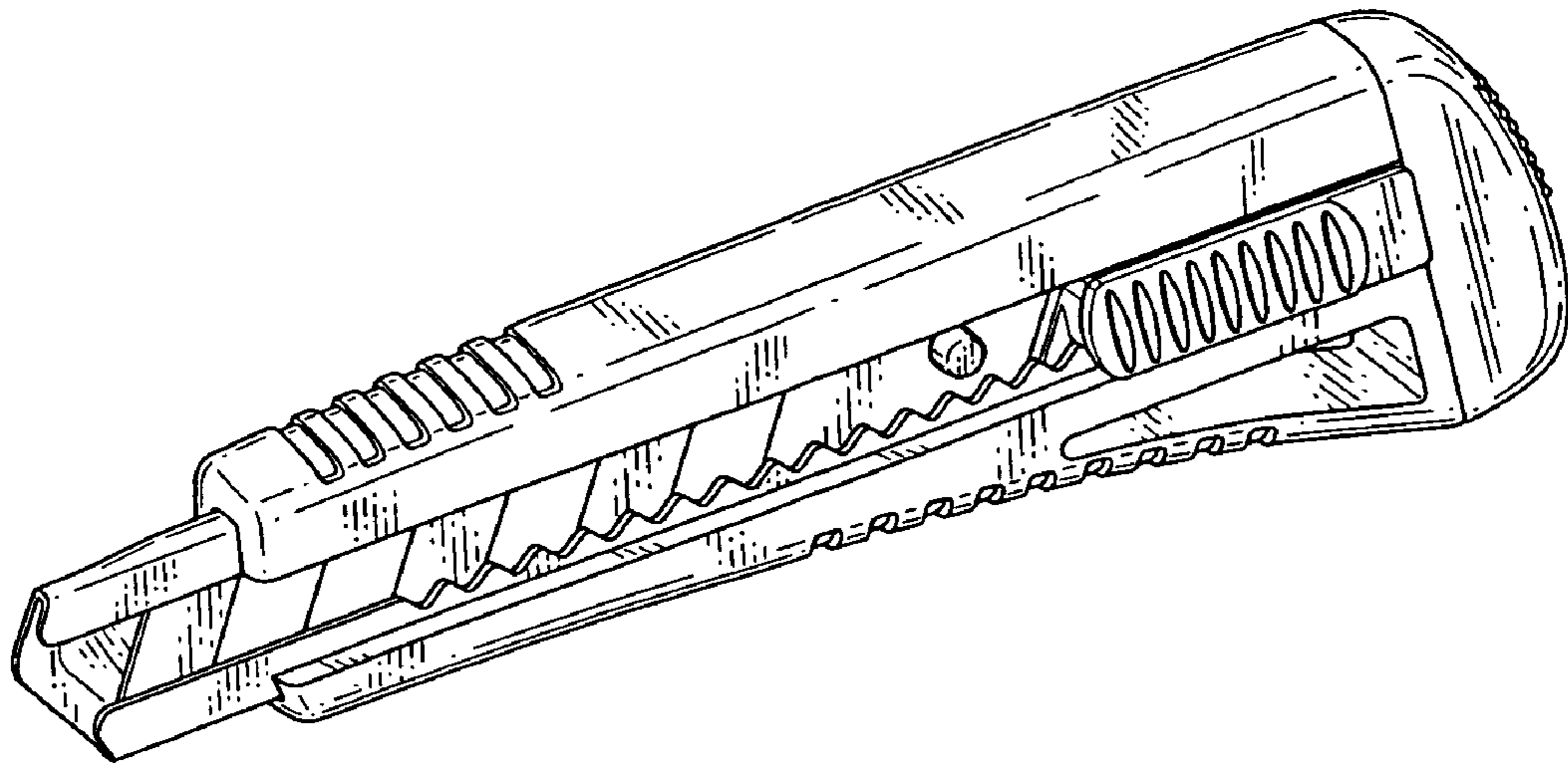


Fig. 2

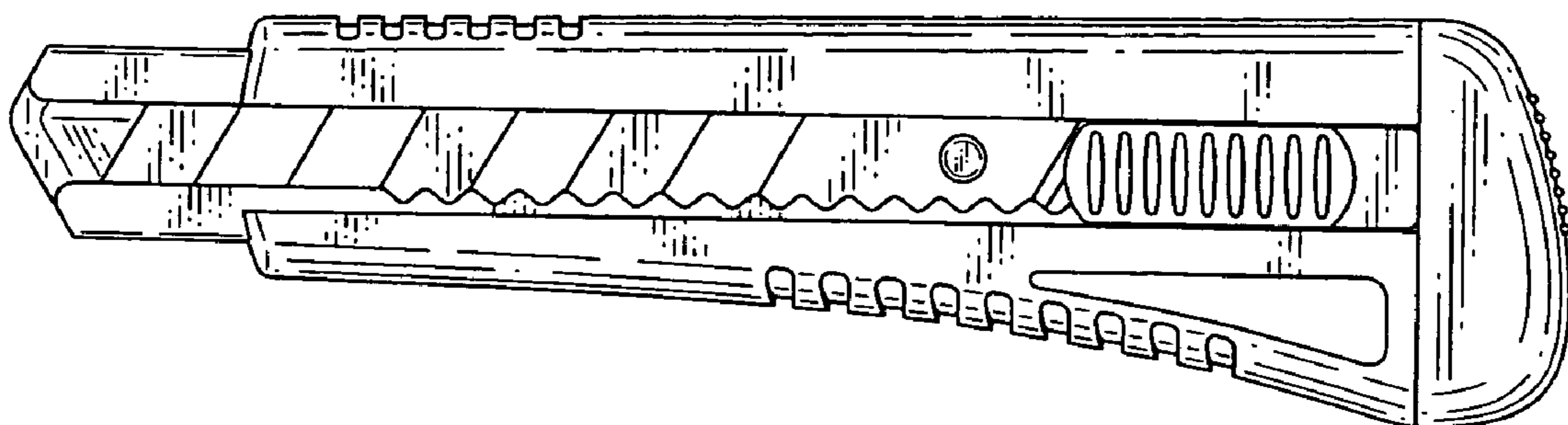


Fig. 3

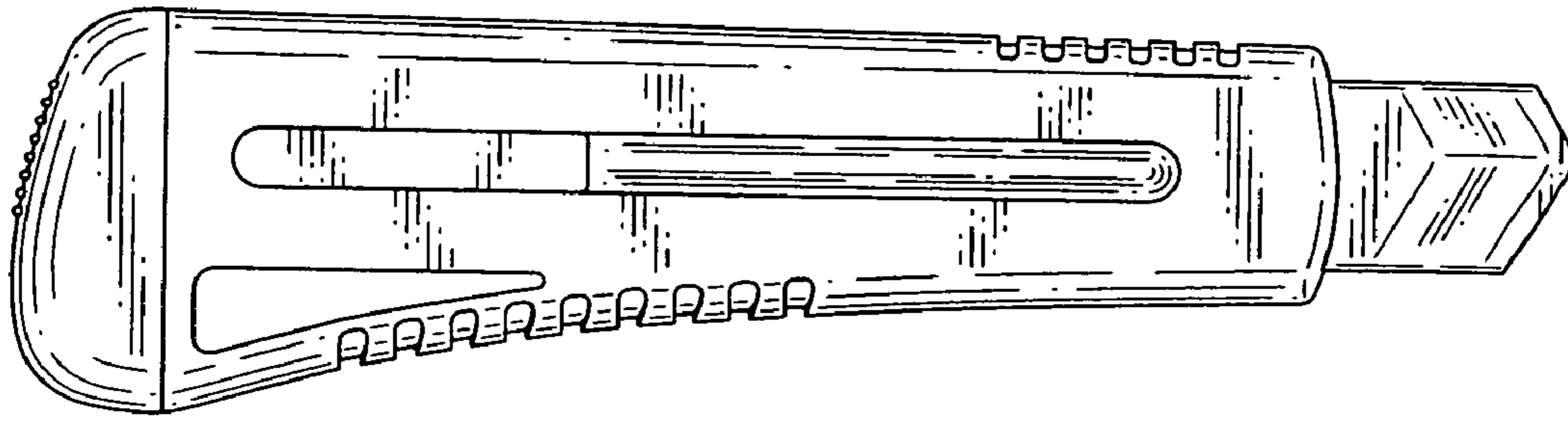


Fig. 4

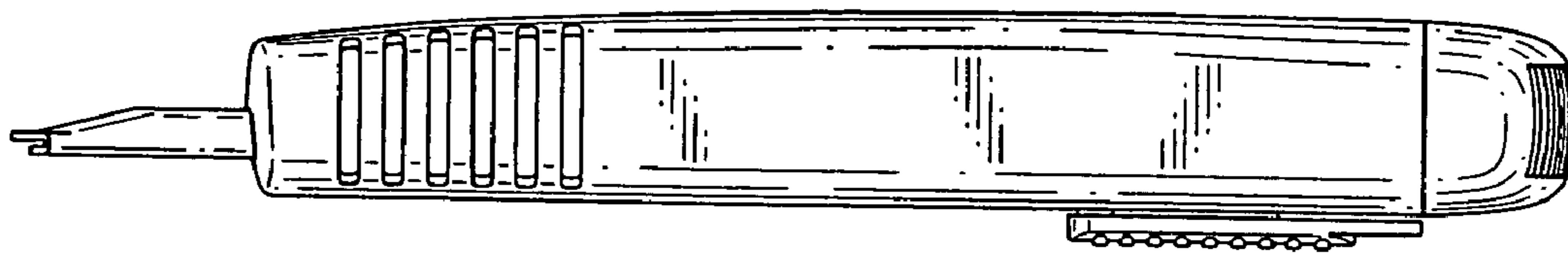


Fig. 5

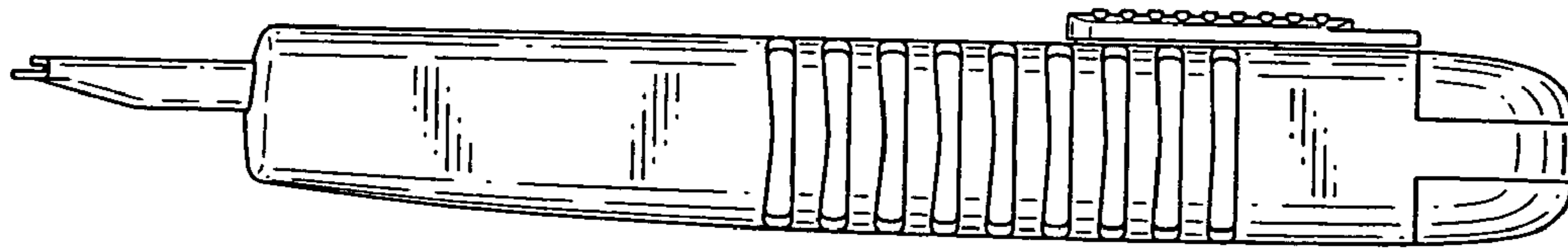


Fig. 6

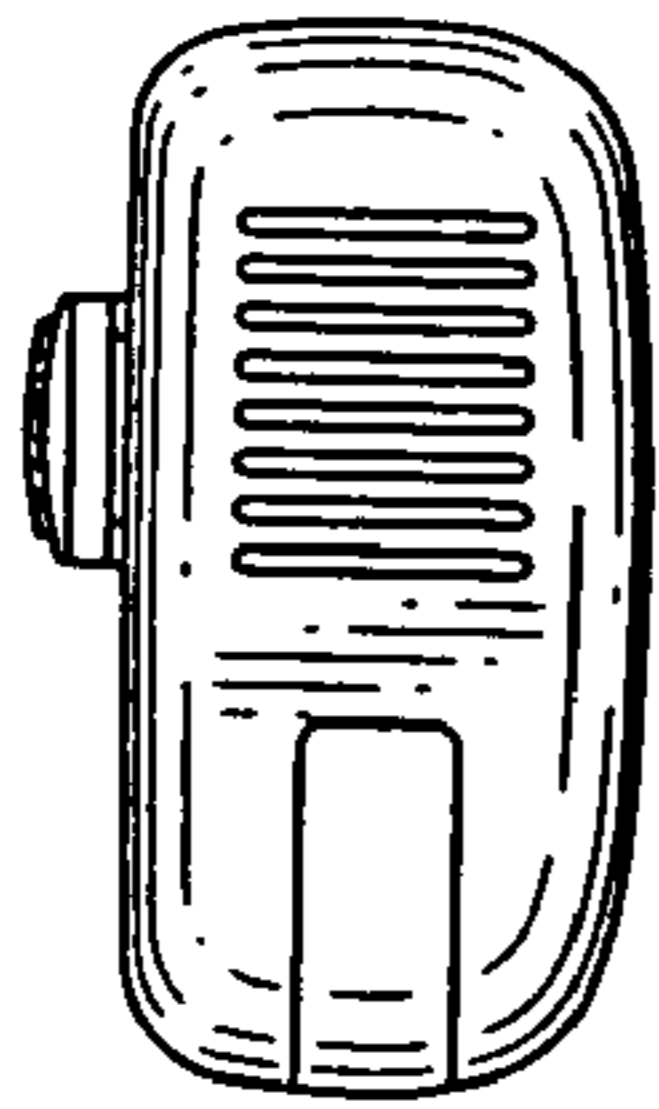


Fig. 7

