

US00D567619S

(12) **United States Design Patent**
Rianda

(10) **Patent No.:** **US D567,619 S**

(45) **Date of Patent:** **** Apr. 29, 2008**

(54) **ADJUSTABLE ARTICLE GRABBER**

(75) Inventor: **Kent A. Rianda**, Crowley Lake, CA
(US)

(73) Assignee: **Fluidix, Inc.**, Mammoth Lakes, CA
(US)

(**) Term: **14 Years**

(21) Appl. No.: **29/289,146**

(22) Filed: **Jul. 9, 2007**

(51) **LOC (8) Cl.** **08-05**

(52) **U.S. Cl.** **D8/73**

(58) **Field of Classification Search** D8/71-74,
D8/394-397, 354-356, 382, 383; 248/62,
248/689, 124.2, 643; 81/487, 427, 321; 269/3,
269/6, 143, 165, 240, 249, 243, 97; 29/256,
29/257, 276; D15/140; 294/16, 103.1, 64.1;
4/577.1

See application file for complete search history.

(56) **References Cited**

U.S. PATENT DOCUMENTS

834,271	A	10/1906	Dale	
2,474,950	A *	7/1949	Macchesney	294/64.1
2,807,029	A	9/1957	Armstrong	
3,414,909	A	12/1968	Provi et al.	
3,414,910	A *	12/1968	Provi et al.	4/577.1
3,596,972	A *	8/1971	Pool	294/103.1
3,913,964	A *	10/1975	Lukeman	294/64.1
4,420,178	A *	12/1983	Taylor et al.	294/16

4,760,912	A *	8/1988	Vaida	294/103.1
5,484,081	A *	1/1996	Jahn	294/64.1
5,511,285	A *	4/1996	Bush et al.	294/16
5,517,732	A *	5/1996	Crear	D8/354
5,772,823	A *	6/1998	Rusch et al.	294/64.1
5,820,180	A	10/1998	Haupt	
6,154,929	A *	12/2000	Dwyer	294/64.1
D482,585	S *	11/2003	Brass et al.	D8/72
D541,614	S *	5/2007	Wang	D8/74
D543,821	S *	6/2007	Ranieri	D8/73
D545,161	S *	6/2007	Ranieri	D8/72
2002/0109363	A1 *	8/2002	Pool	294/16
2002/0175527	A1 *	11/2002	Huang	294/64.1
2006/0061113	A1 *	3/2006	Hansen	294/103.1
2007/0222130	A1 *	9/2007	Leinbach et al.	269/6

* cited by examiner

Primary Examiner—Louis S. Zarfaz

Assistant Examiner—David G Muller

(74) *Attorney, Agent, or Firm*—Harold L. Jackson

(57) **CLAIM**

The ornamental design for a adjustable article grabber, as shown and described.

DESCRIPTION

FIG. 1 is a perspective view of the adjustable article grabber

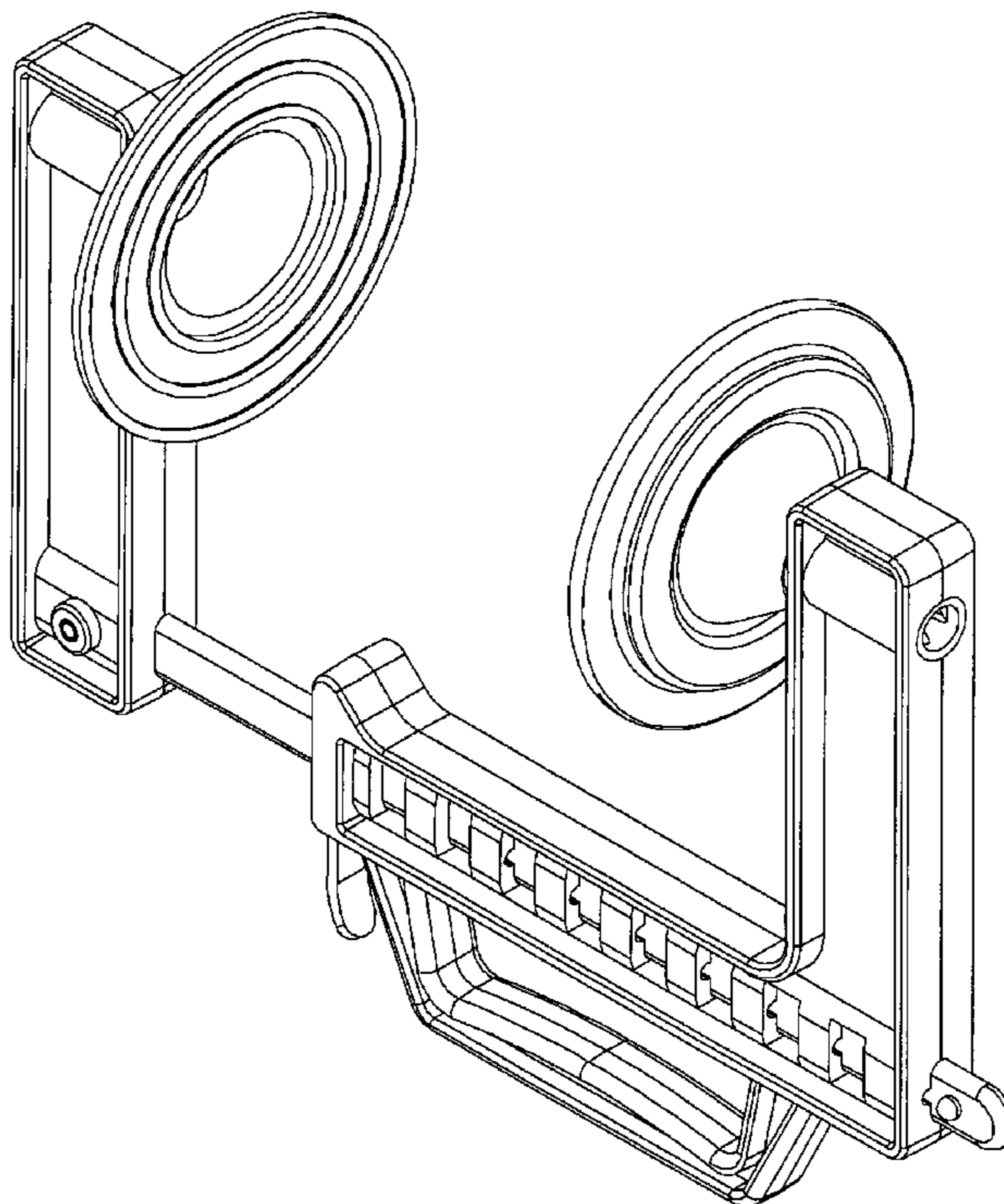
FIG. 2 is a top plan view thereof;

FIG. 3 is a side elevation view thereof;

FIG. 4 is an end view thereof shown at a reduced scale; and,

FIG. 5 is a bottom view thereof shown at a reduced scale.

1 Claim, 5 Drawing Sheets



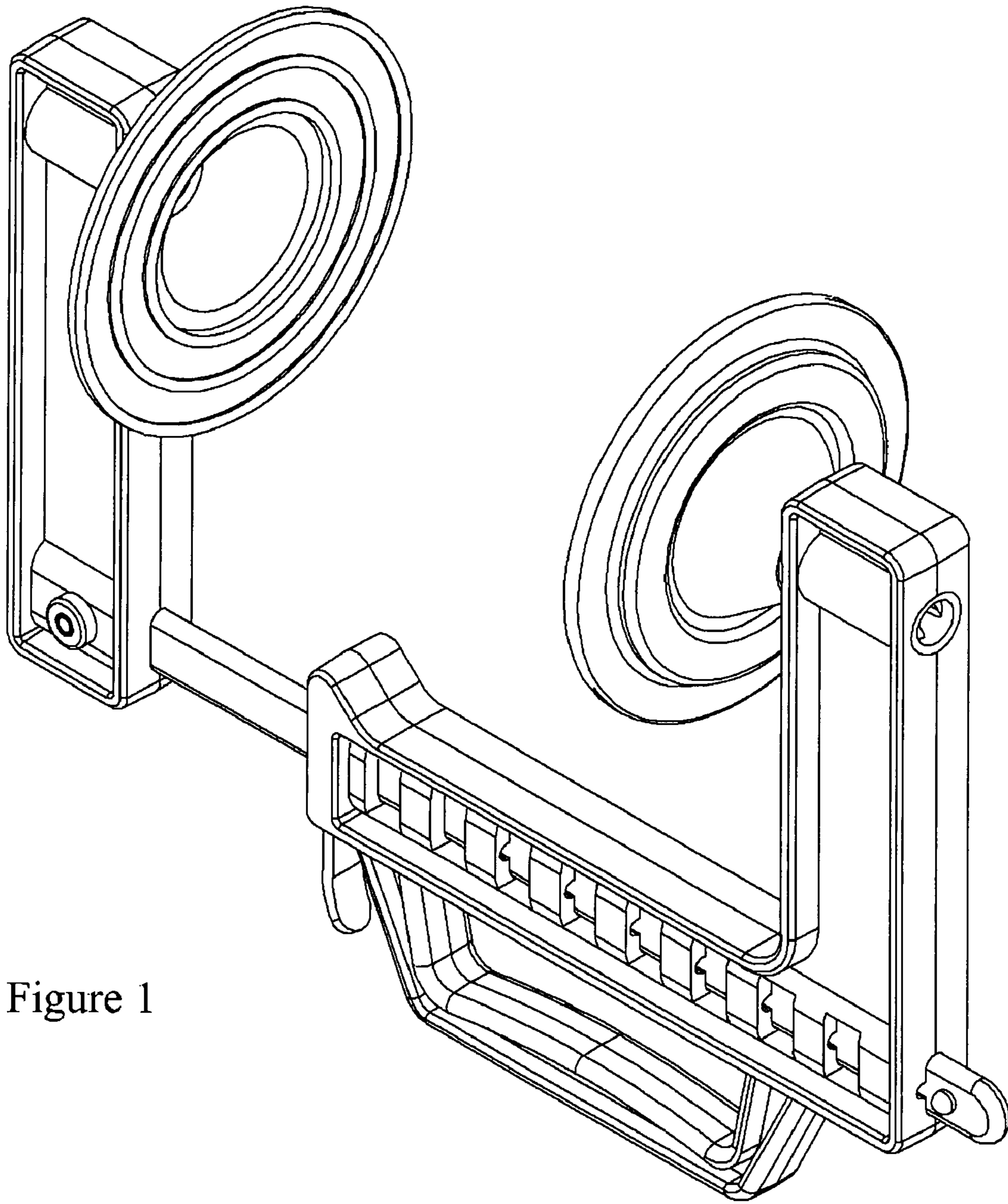


Figure 1

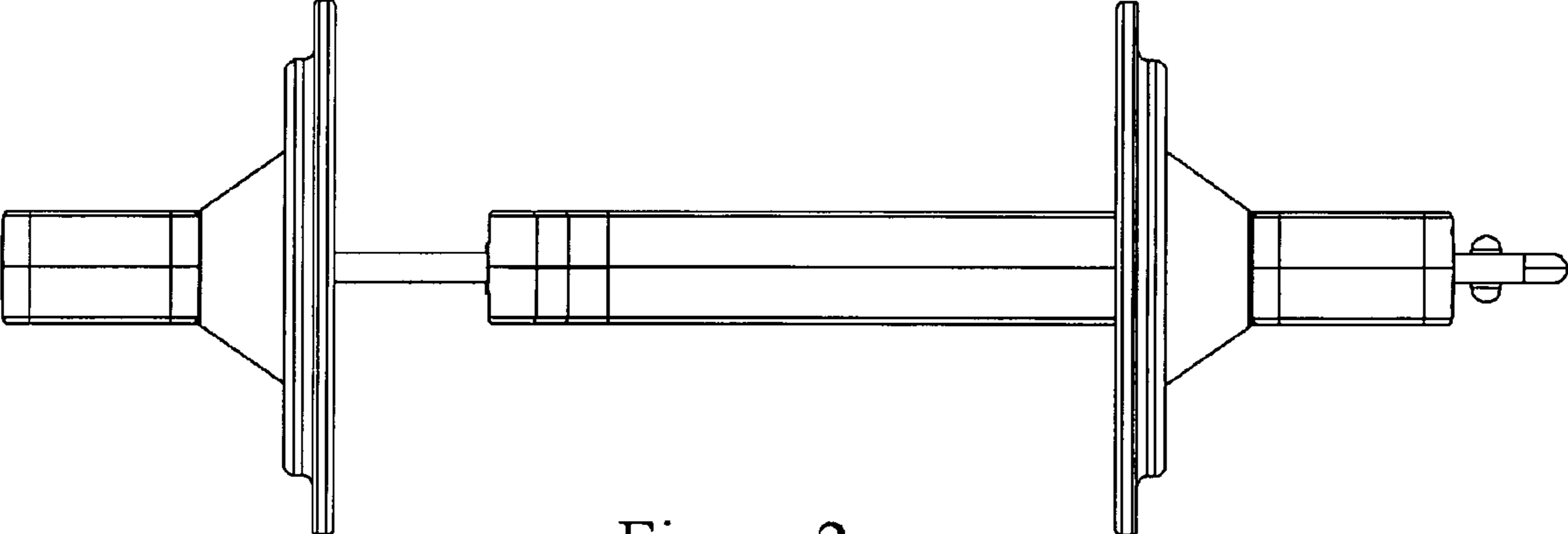


Figure 2

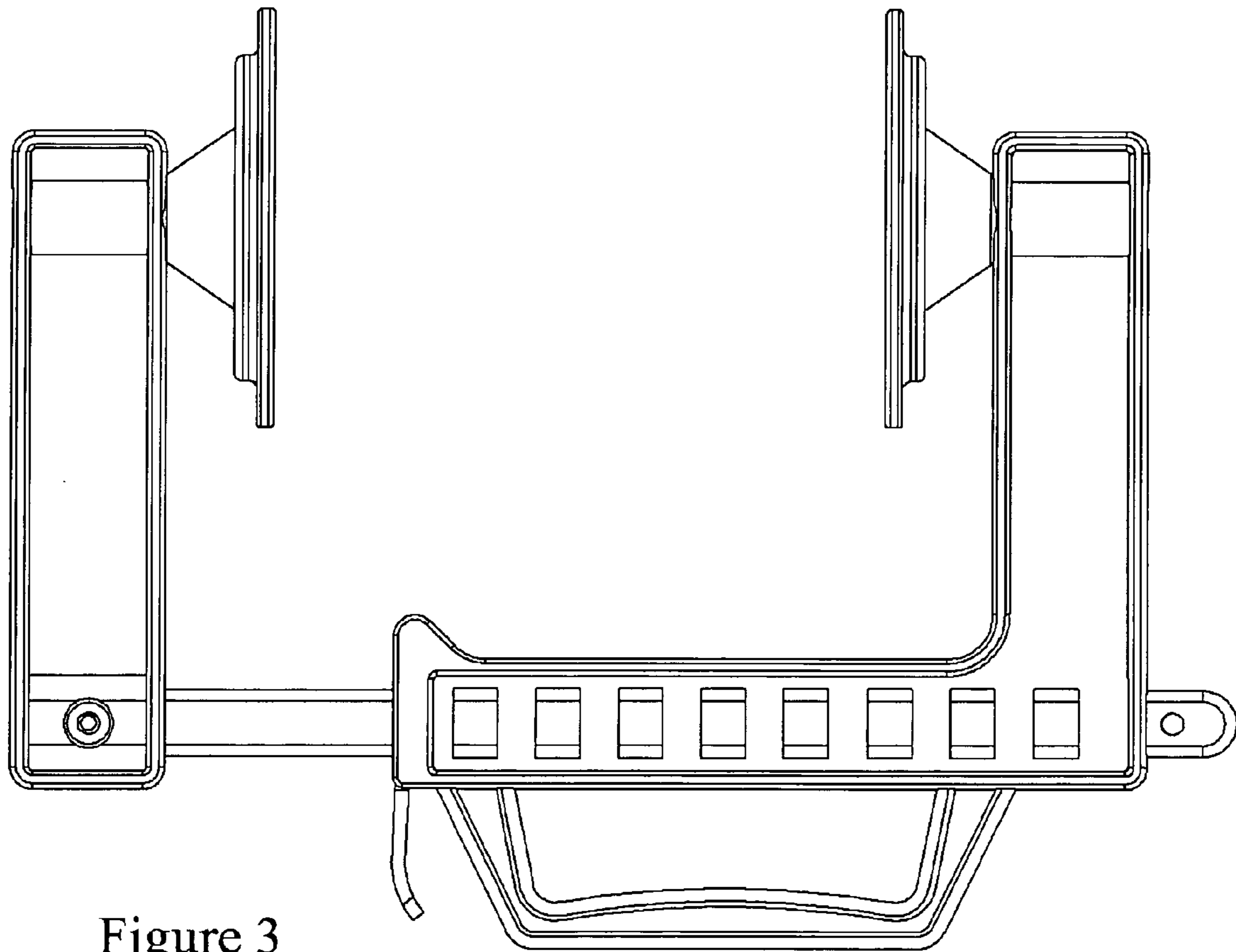


Figure 3

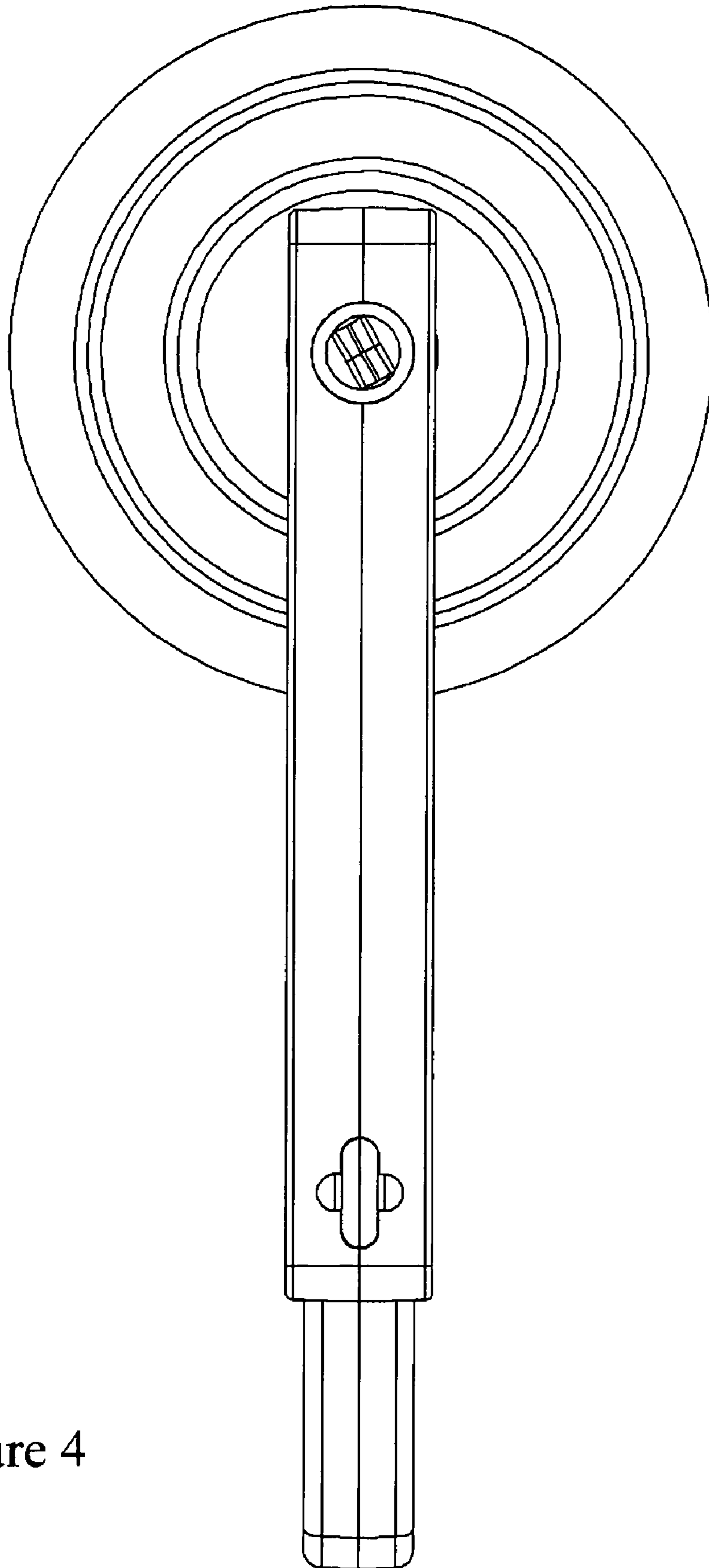


Figure 4

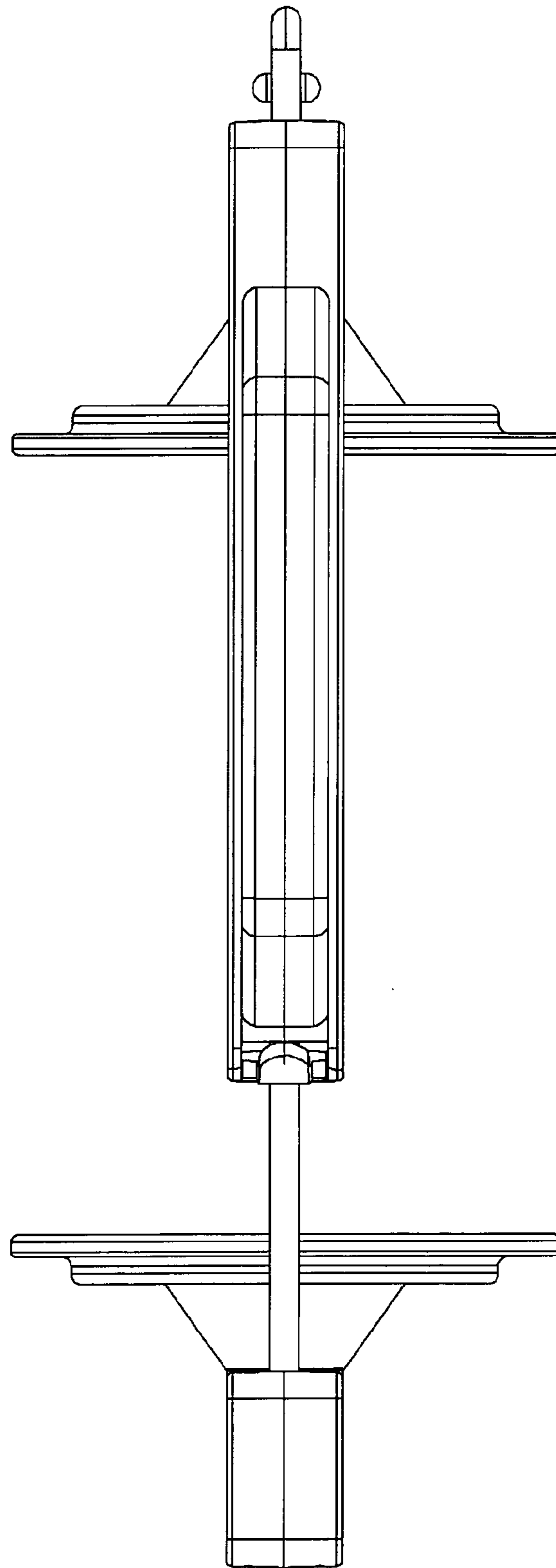


Figure 5