

US00D567618S

(12) **United States Design Patent** (10) **Patent No.:** **US D567,618 S**
Agronin et al. (45) **Date of Patent:** **** Apr. 29, 2008**

(54) **TOOL SUPPORT**

(75) Inventors: **Michael L. Agronin**, Owings Mills, MD (US); **Christopher J. Murray**, Baltimore, MD (US); **DeAnn Romjue**, Phoenix, MD (US)

(73) Assignee: **Black & Decker Inc.**, Newark, DE (US)

(**) Term: **14 Years**

(21) Appl. No.: **29/260,383**

(22) Filed: **May 24, 2006**

Related U.S. Application Data

(63) Continuation-in-part of application No. 11/185,903, filed on Jul. 20, 2005.

(51) **LOC (8) Cl.** **08-05**

(52) **U.S. Cl.** **D8/71**

(58) **Field of Classification Search** D8/70-74, D8/349, 354, 355, 373, 395, 14; D3/315; D6/553; D15/130, 132, 135, 136, 138-141, D15/144.1, 144.2; D19/78; 206/349, 372, 206/373; 211/70.1, 70.6; 220/696; 294/19.1, 294/27.1, 86.4; 299/104, 106; 16/429; 29/527.1, 29/527.5; 248/229.15; 30/231
See application file for complete search history.

(56) **References Cited**

U.S. PATENT DOCUMENTS

D109,902 S *	5/1938	Van Cleef	D8/72
2,324,364 A *	7/1943	Collins	30/231
2,586,636 A *	2/1952	Fischer et al.	269/4
D179,755 S *	2/1957	Blatt	D15/140
D180,945 S *	9/1957	Fritchie	D8/72
2,814,455 A *	11/1957	Rainey	108/28
3,146,982 A *	9/1964	Budnick	248/68.1
3,205,522 A *	9/1965	Then	15/146
D206,726 S *	1/1967	Papp	D15/130
3,434,511 A *	3/1969	Mixon, Jr.	140/117
D214,273 S *	5/1969	Bricker, Jr.	D13/149

3,698,087 A *	10/1972	Cowdrey et al.	30/228
3,792,829 A *	2/1974	Fickett	248/534
4,613,249 A *	9/1986	Schwartz	403/3
D292,870 S *	11/1987	Carbone	D8/354
D305,898 S *	2/1990	Whitaker et al.	D15/138
D306,396 S *	3/1990	Brushaber	D8/355
D365,263 S *	12/1995	Sorensen et al.	D8/72
D398,833 S *	9/1998	Hammar	D8/349
D435,207 S *	12/2000	Nathenson et al.	D8/70
D440,853 S *	4/2001	Welsh et al.	D8/73
D457,410 S *	5/2002	Von Fange	D8/73
D473,441 S *	4/2003	Cross	D8/74

(Continued)

Primary Examiner—T. Chase Nelson
Assistant Examiner—Karen Acker
(74) *Attorney, Agent, or Firm*—Wesley W. Muller

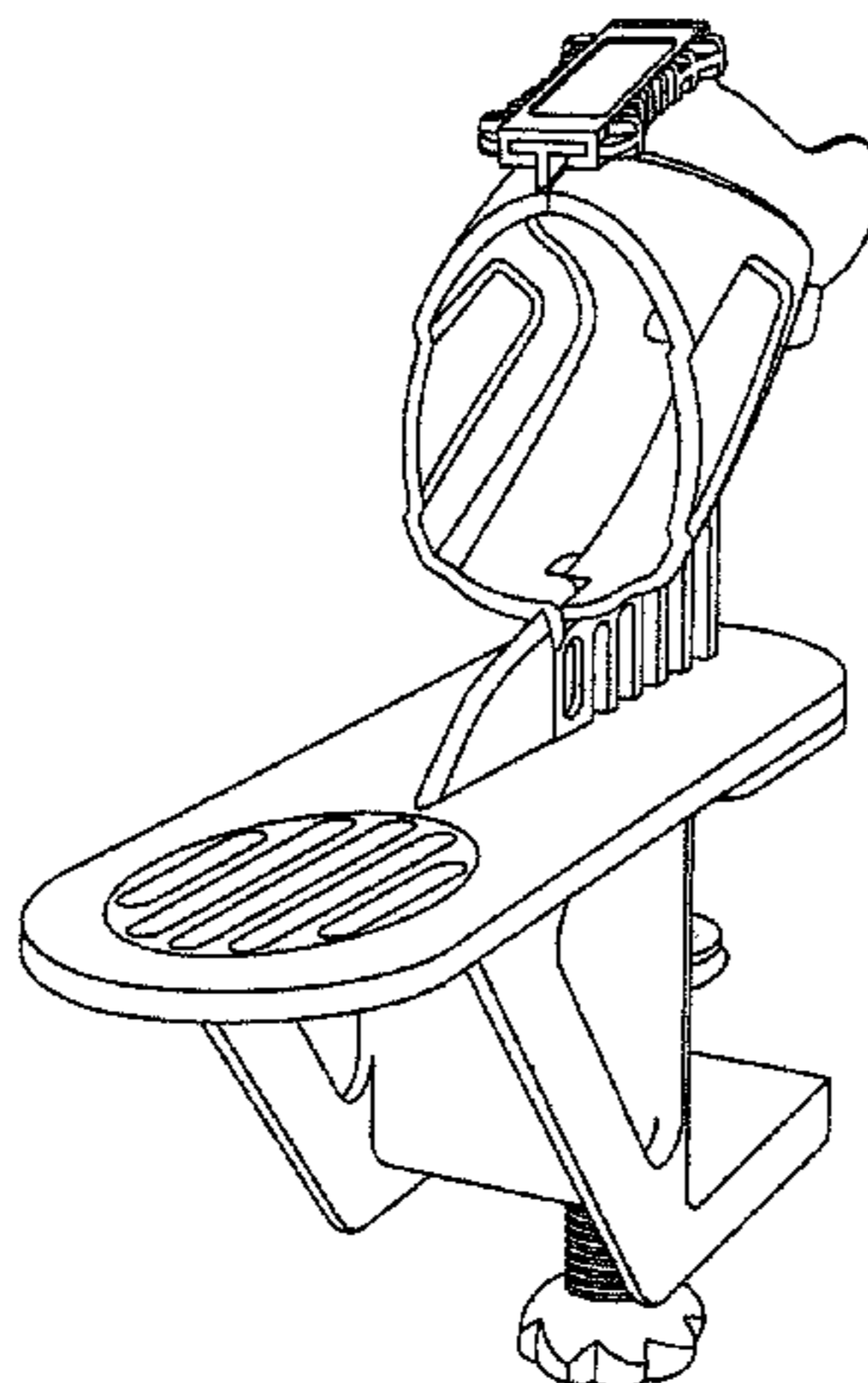
(57) **CLAIM**

The ornamental design for a tool support, as shown and described.

DESCRIPTION

FIG. 1 is a perspective view of a tool support according to the present invention;
FIG. 2 is an elevated front view of the tool support of FIG. 1;
FIG. 3 is an elevated rear view of the tool support of FIG. 1;
FIG. 4 is a right side view of the tool support of FIG. 1;
FIG. 5 is a left side view of the tool support of FIG. 1;
FIG. 6 is a top view of the tool support of FIG. 1;
FIG. 7 is a bottom view of the tool support of FIG. 1; and,
FIG. 8 is a perspective view of the tool support of FIG. 1 supporting a tool rendered in broken line.
The broken lines in FIG. 8 merely illustrate the environment for the tool support of the present design and form no part of the claimed design.

1 Claim, 8 Drawing Sheets



US D567,618 S

Page 2

U.S. PATENT DOCUMENTS

D542,110 S *	5/2007	Mochizuki	D8/71	D544,328 S *	6/2007	Ranieri	D8/72
D543,083 S *	5/2007	Weinberg et al	D8/72	D550,054 S *	9/2007	Yoho	D8/74
D543,439 S *	5/2007	Brassard	D8/363	2007/0017103 A1 *	1/2007	Agronin et al.	30/231

* cited by examiner

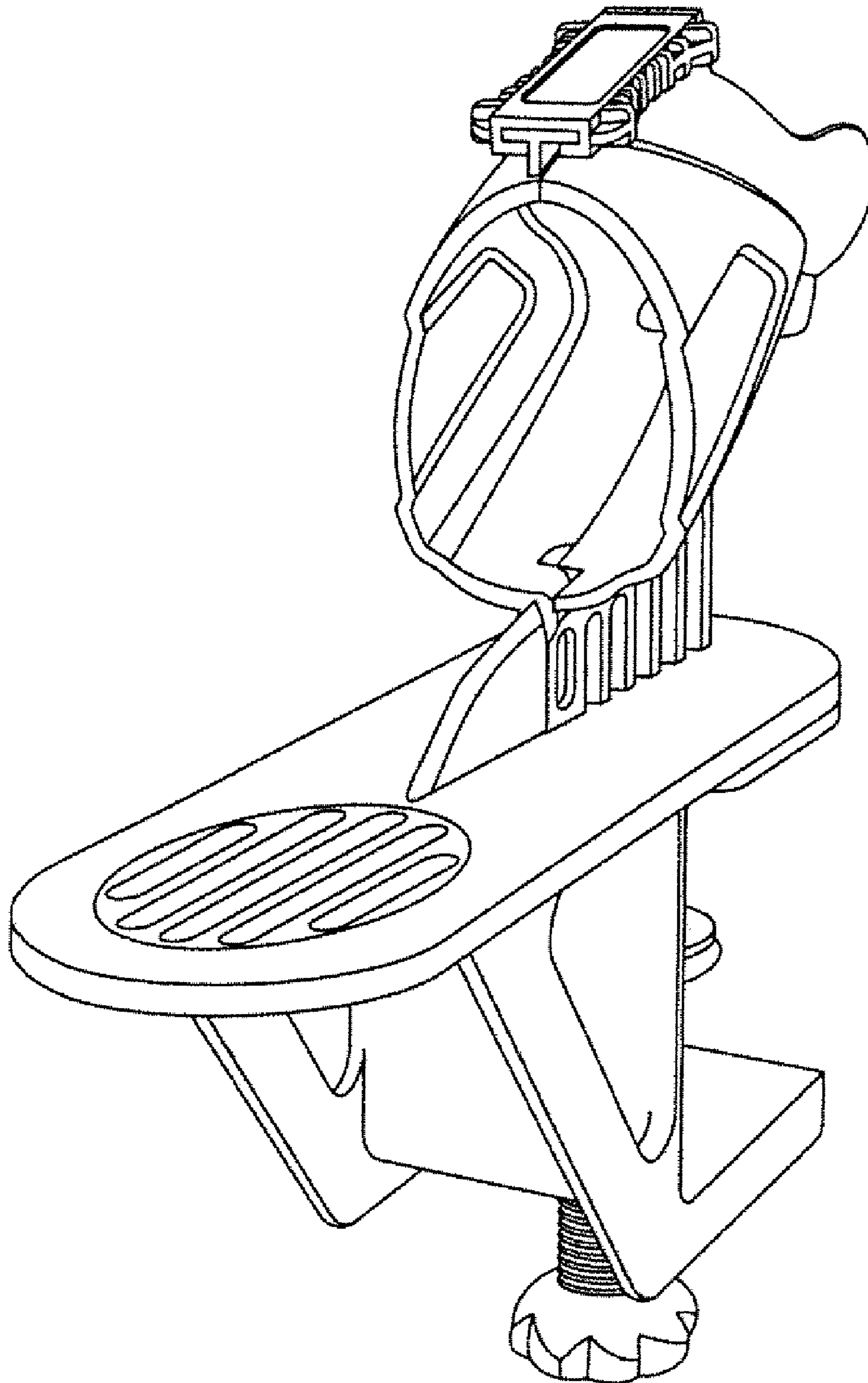


FIG. 1

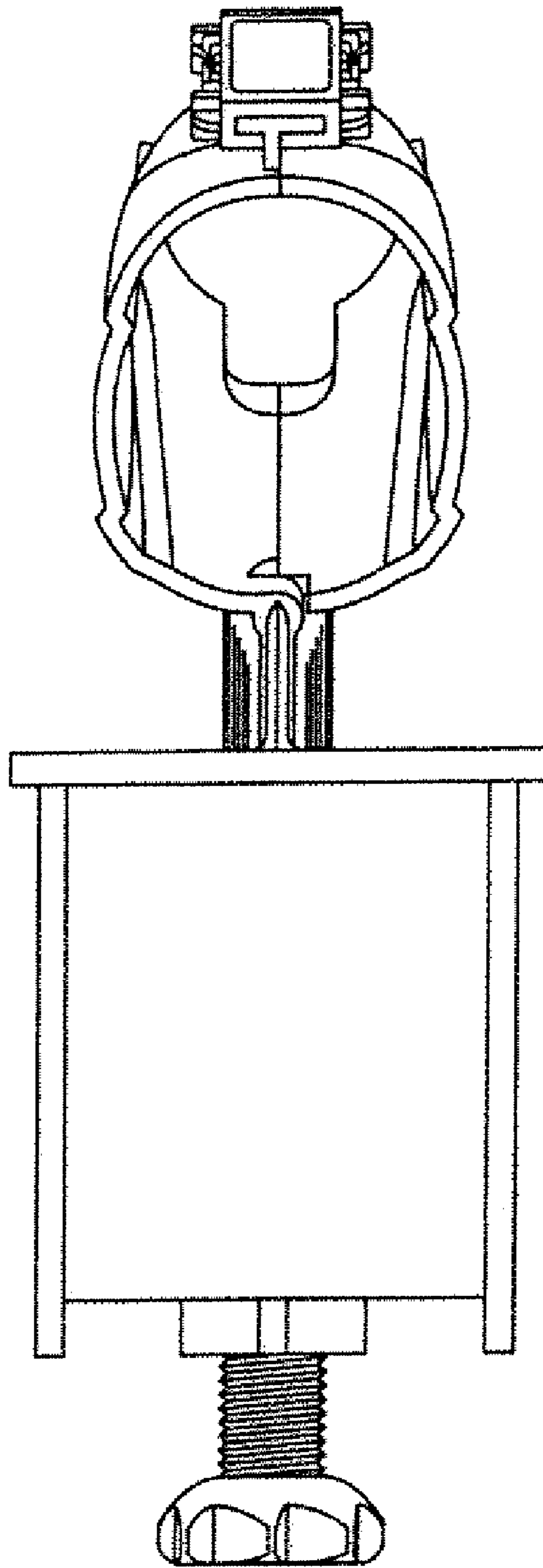


FIG. 2

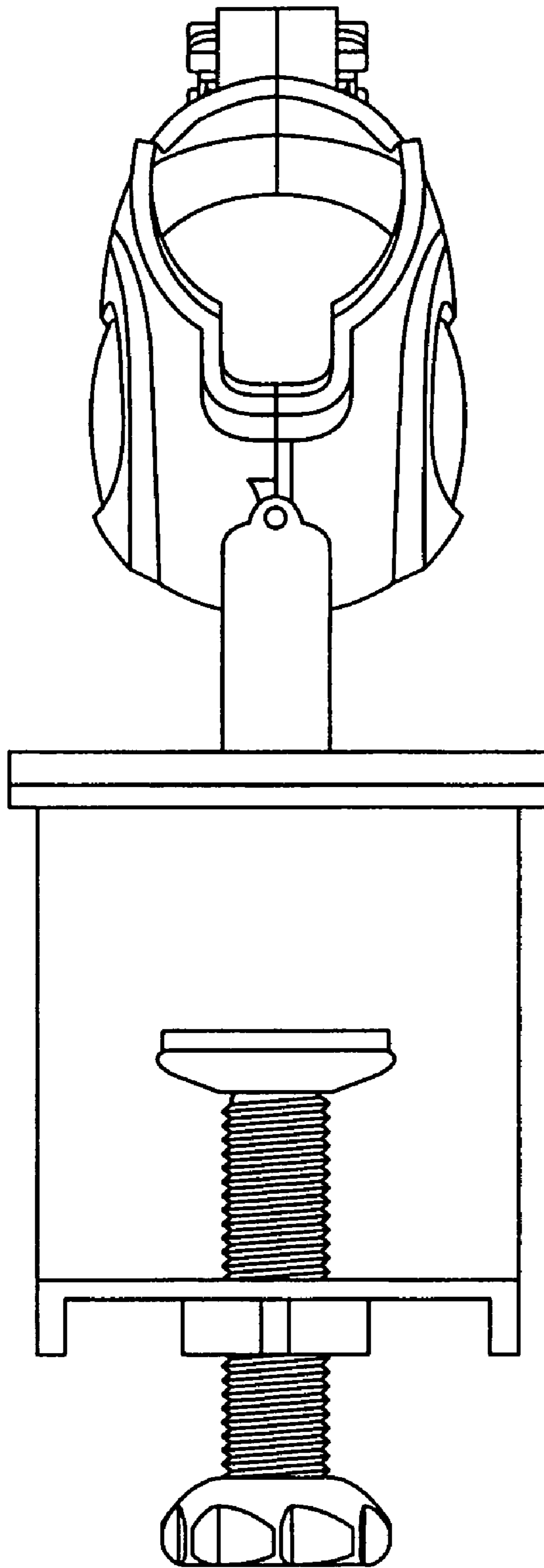


FIG. 3

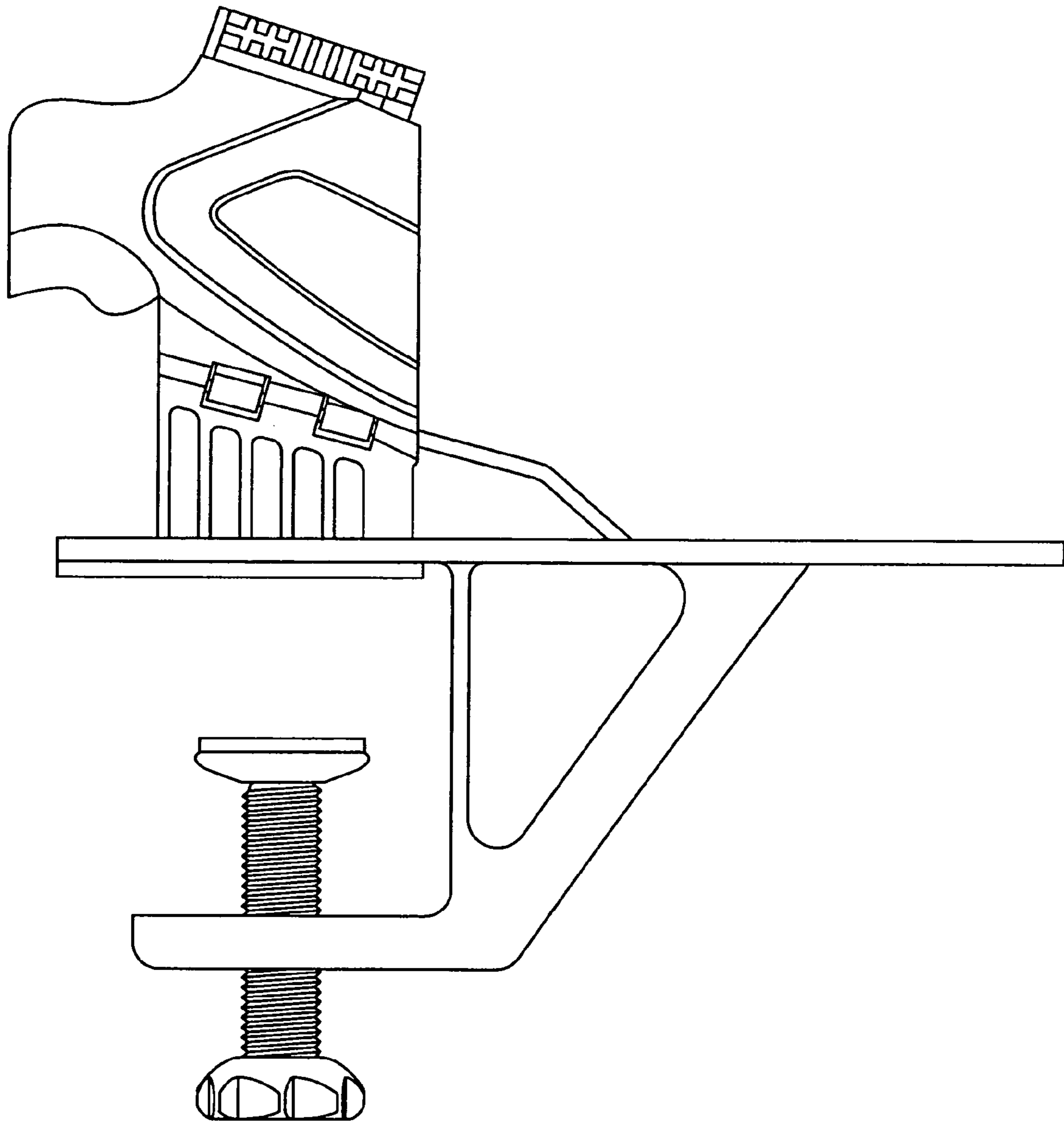


FIG. 4

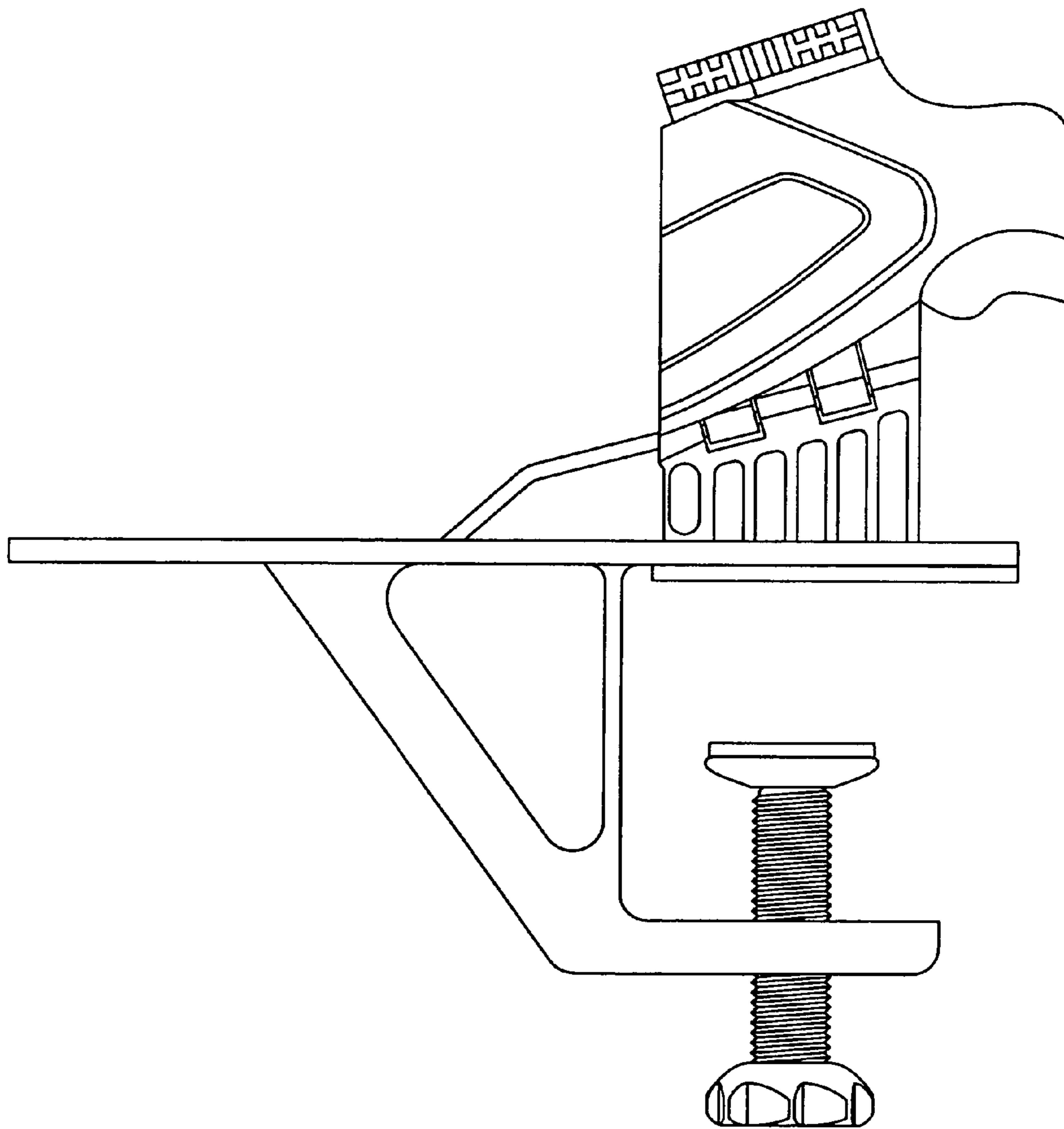


FIG. 5

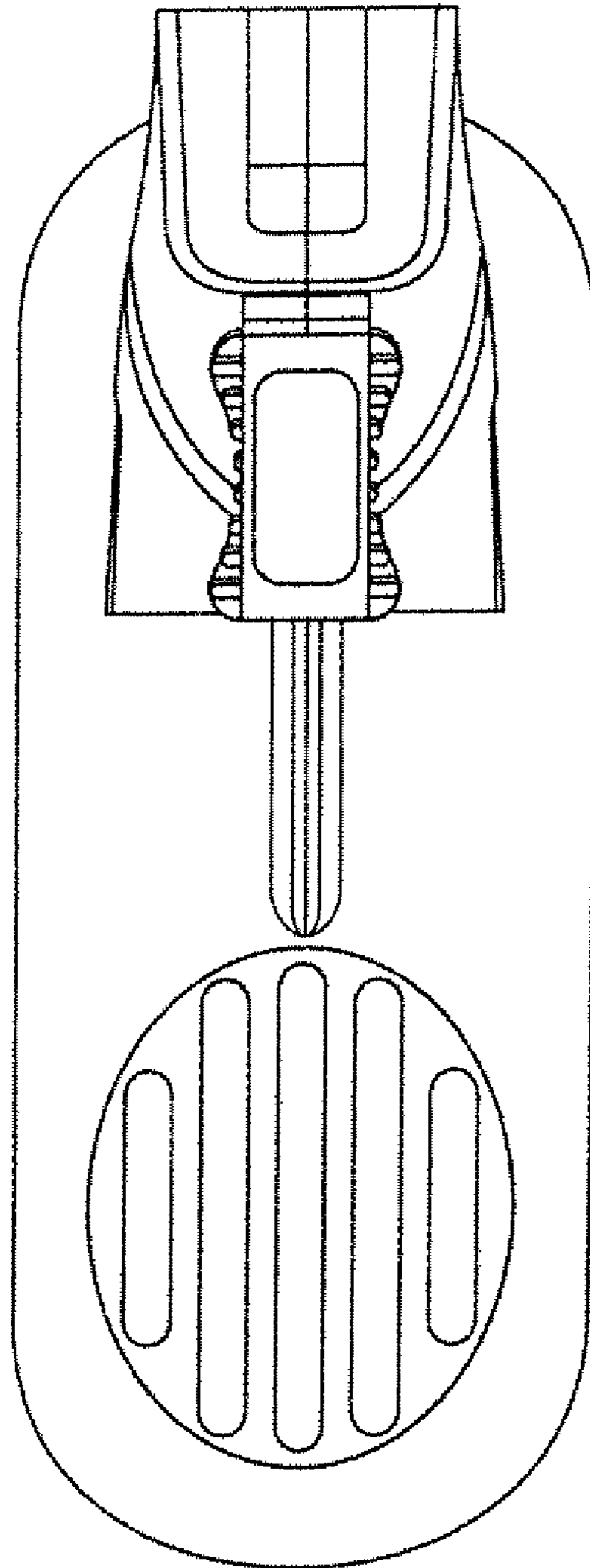


FIG. 6

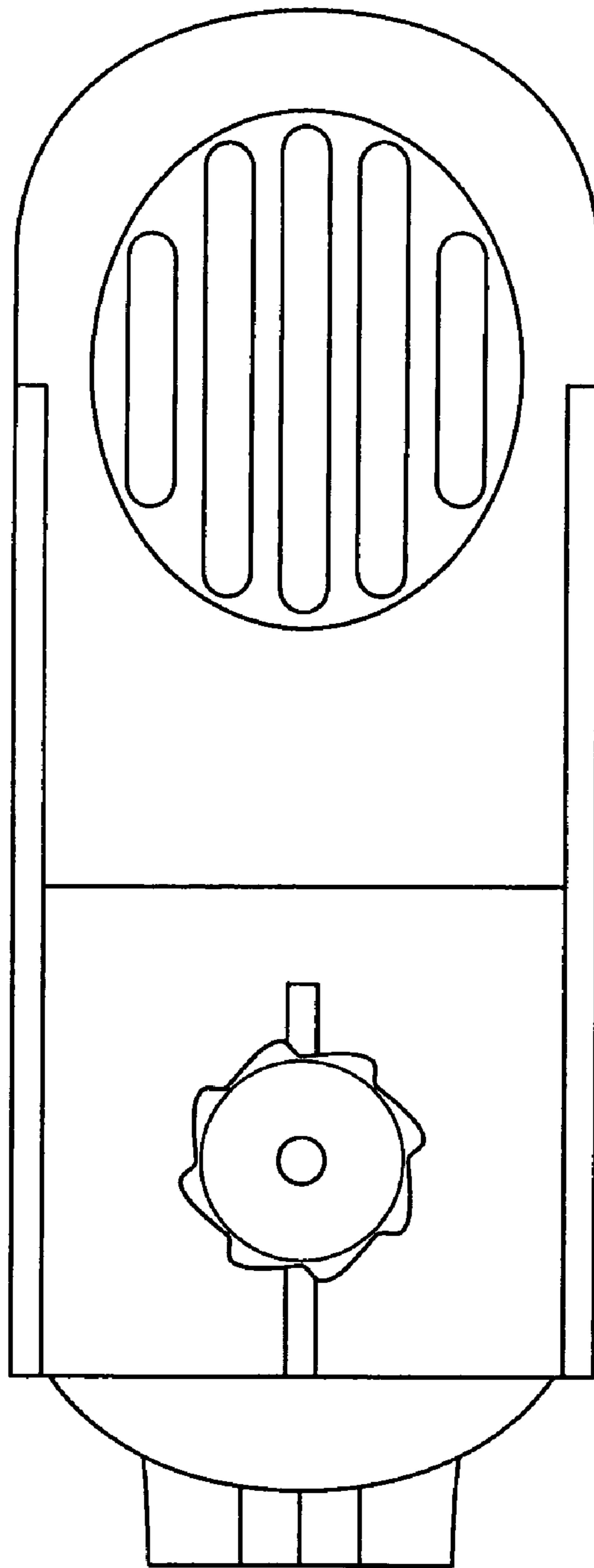


FIG. 7

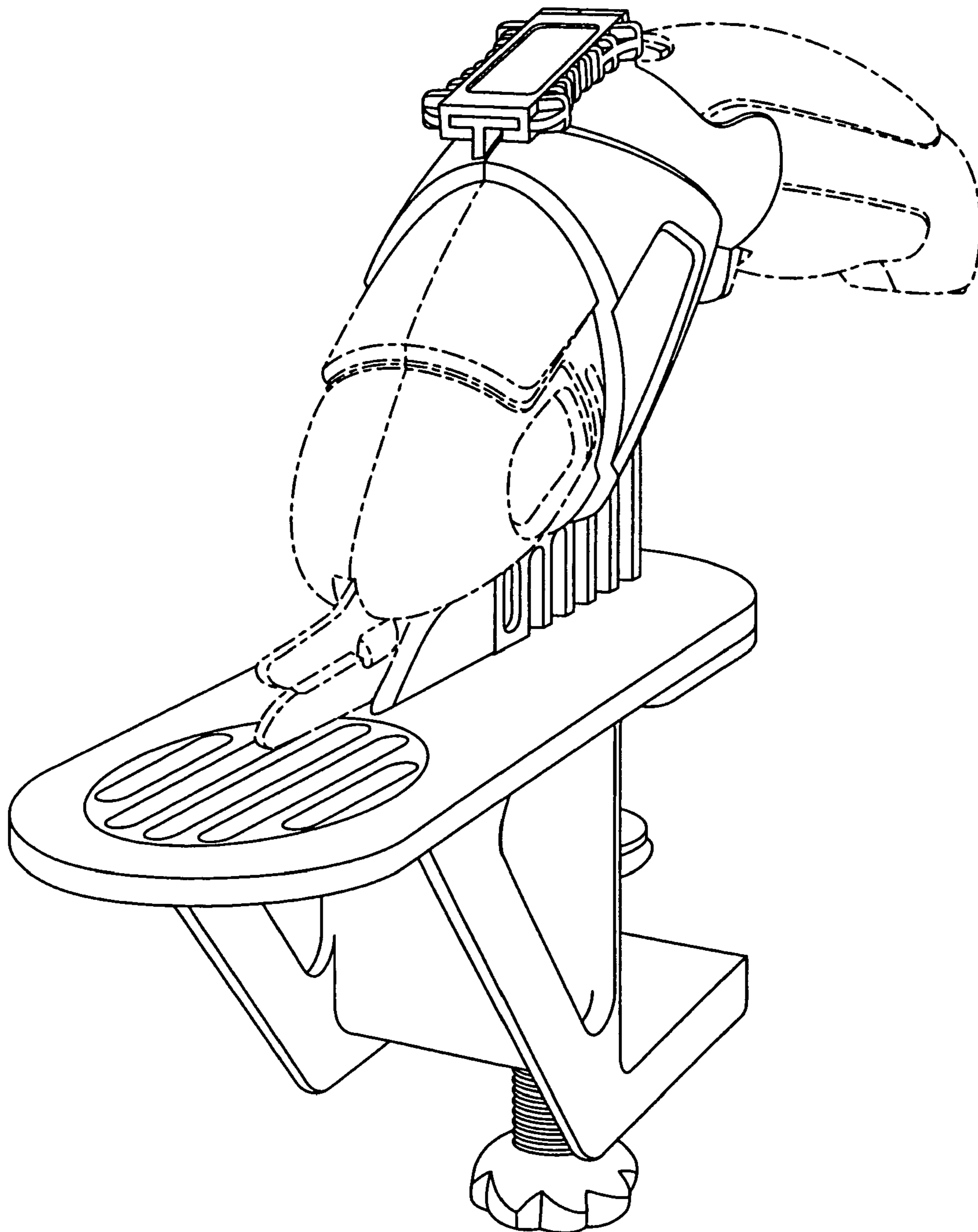


FIG. 8