



US00D567616S

(12) **United States Design Patent**
Kuo

(10) **Patent No.:** **US D567,616 S**
(45) **Date of Patent:** **** Apr. 29, 2008**

(54) **NAIL GUN BODY**

(75) Inventor: **Lun-Hung Kuo**, Taipei Hsien (TW)

(73) Assignee: **De Poan Pneumatic Corp.**, Taipei (TW)

(**) Term: **14 Years**

(21) Appl. No.: **29/276,018**

(22) Filed: **Jan. 11, 2007**

(51) **LOC (8) Cl.** **08-05**

(52) **U.S. Cl.** **D8/68; D8/69**

(58) **Field of Classification Search** D8/14.1,
D8/61-70; 81/57.11, 429, 454-456, 469,
81/489; 173/13, 104, 114, 168-171, 178,
173/201, 211, 213, 217; 408/20, 124, 125,
408/234, 241 R; 451/358; 310/50; 227/8,
227/113, 114, 120, 130, 136, 142

See application file for complete search history.

(56) **References Cited**

U.S. PATENT DOCUMENTS

D223,134 S *	3/1972	Bunyea	D8/68
D316,022 S *	4/1991	Moraht	D8/69
D334,329 S *	3/1993	Ogawa et al.	D8/68
5,720,422 A *	2/1998	Ichikawa et al.	227/120
D435,770 S *	1/2001	Arai	D8/68
6,199,739 B1 *	3/2001	Mukoyama et al.	227/8
6,494,355 B2 *	12/2002	Adachi et al.	227/120
D475,597 S *	6/2003	Arai	D8/68
D477,514 S *	7/2003	Chen	D8/68
D479,110 S *	9/2003	Nolan et al.	D8/68
6,641,022 B2 *	11/2003	Hamano et al.	227/120
D484,384 S *	12/2003	Ghode et al.	D8/68
D501,383 S *	2/2005	Fang et al.	D8/68
6,896,165 B1 *	5/2005	Wang	227/136

(Continued)

Primary Examiner—T. Chase Nelson

(57) **CLAIM**

The ornamental design for a nail gun body, as shown and described.

DESCRIPTION

FIG. 1 is a perspective view of a nail gun body showing the new design;

FIG. 2 is a front view thereof;

FIG. 3 is a rear view thereof;

FIG. 4 is a left side elevational view thereof;

FIG. 5 is a right side elevational view thereof;

FIG. 6 is a top view thereof; and

FIG. 7 is a bottom view thereof.

FIG. 8 is a right side elevational view showing the nail gun body in condition of use with a broken line, first nail magazine.

FIG. 9 is a perspective view showing the nail gun body in condition of use with the broken line, first nail magazine.

FIG. 10 is a right side elevational view showing the nail gun body in condition of use with a broken line, second nail magazine.

FIG. 11 is a right side elevational view showing the nail gun body in condition of use with a broken line, third nail magazine.

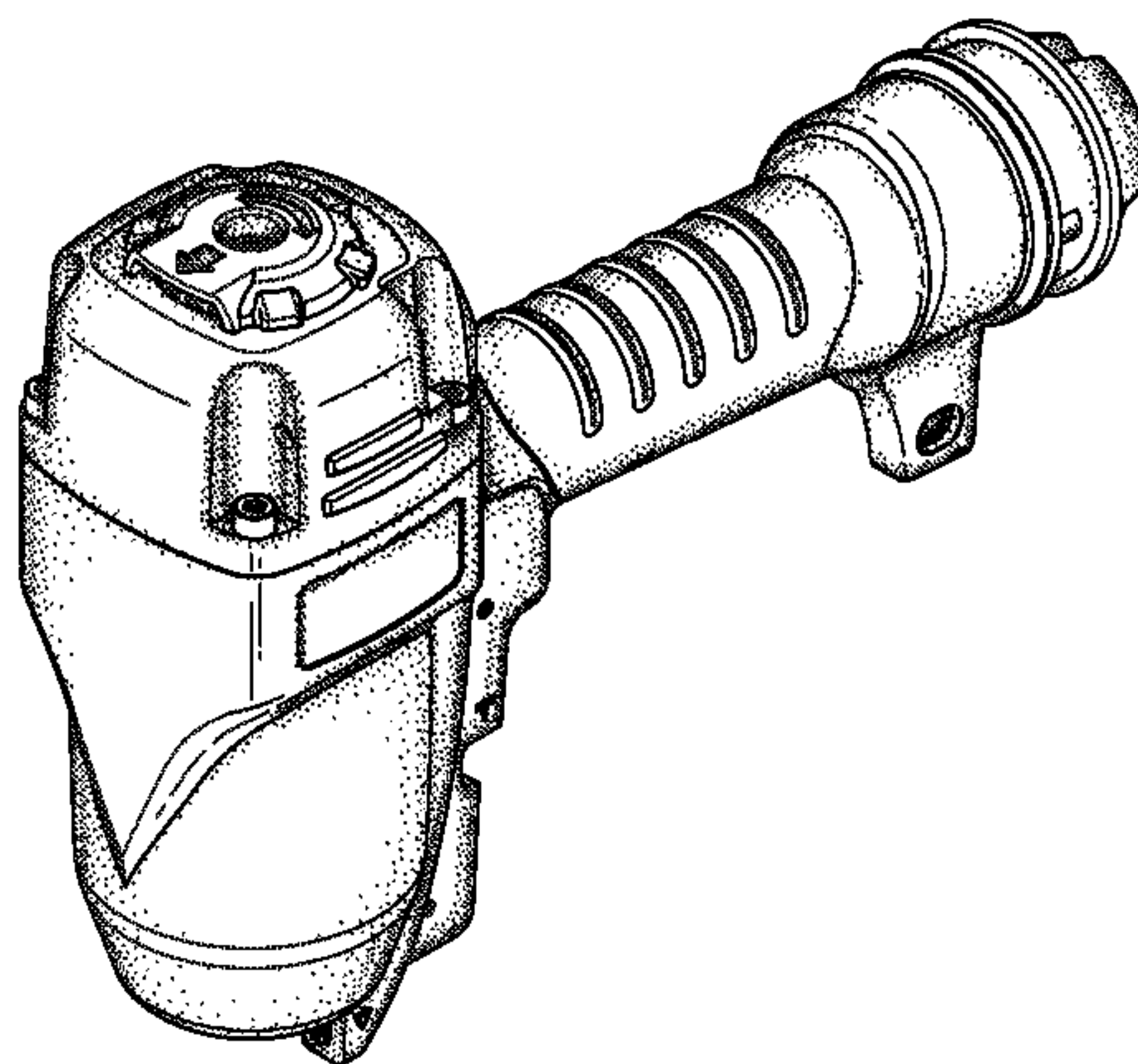
FIG. 12 is a right side elevational view showing the nail gun body in condition of use with a broken line, fourth nail magazine.

FIG. 13 is a right side elevational view showing the nail gun body in condition of use with a broken line, fifth nail magazine; and,

FIG. 14 is a right side elevational view of another preferred embodiment of the nail gun body.

The broken line showing of environmental structure, in the form of nail magazines in FIGS. 8 through 13, is for illustrative purposes only and forms no part of the claimed design.

1 Claim, 11 Drawing Sheets



US D567,616 S

Page 2

U.S. PATENT DOCUMENTS

D512,291 S *	12/2005	Thomas et al.	D8/69	D531,475 S *	11/2006	Li	D8/69
D512,621 S *	12/2005	Thomas et al.	D8/69	D532,668 S *	11/2006	Wen	D8/69
D516,400 S *	3/2006	Yang	D8/69	D549,062 S *	8/2007	Buck	D8/69
D517,886 S *	3/2006	Thomas et al.	D8/69	D549,538 S *	8/2007	Lee et al.	D8/69
D518,698 S *	4/2006	Thomas et al.	D8/69	2001/0017311 A1*	8/2001	Hamano et al.	227/120
D521,837 S *	5/2006	Zhang	D8/69	2003/0127490 A1*	7/2003	Hamano et al.	227/120
D525,100 S *	7/2006	Huang et al.	D8/68	2006/0261128 A1*	11/2006	Wen	227/120
D530,176 S *	10/2006	Niwa	D8/68				

* cited by examiner

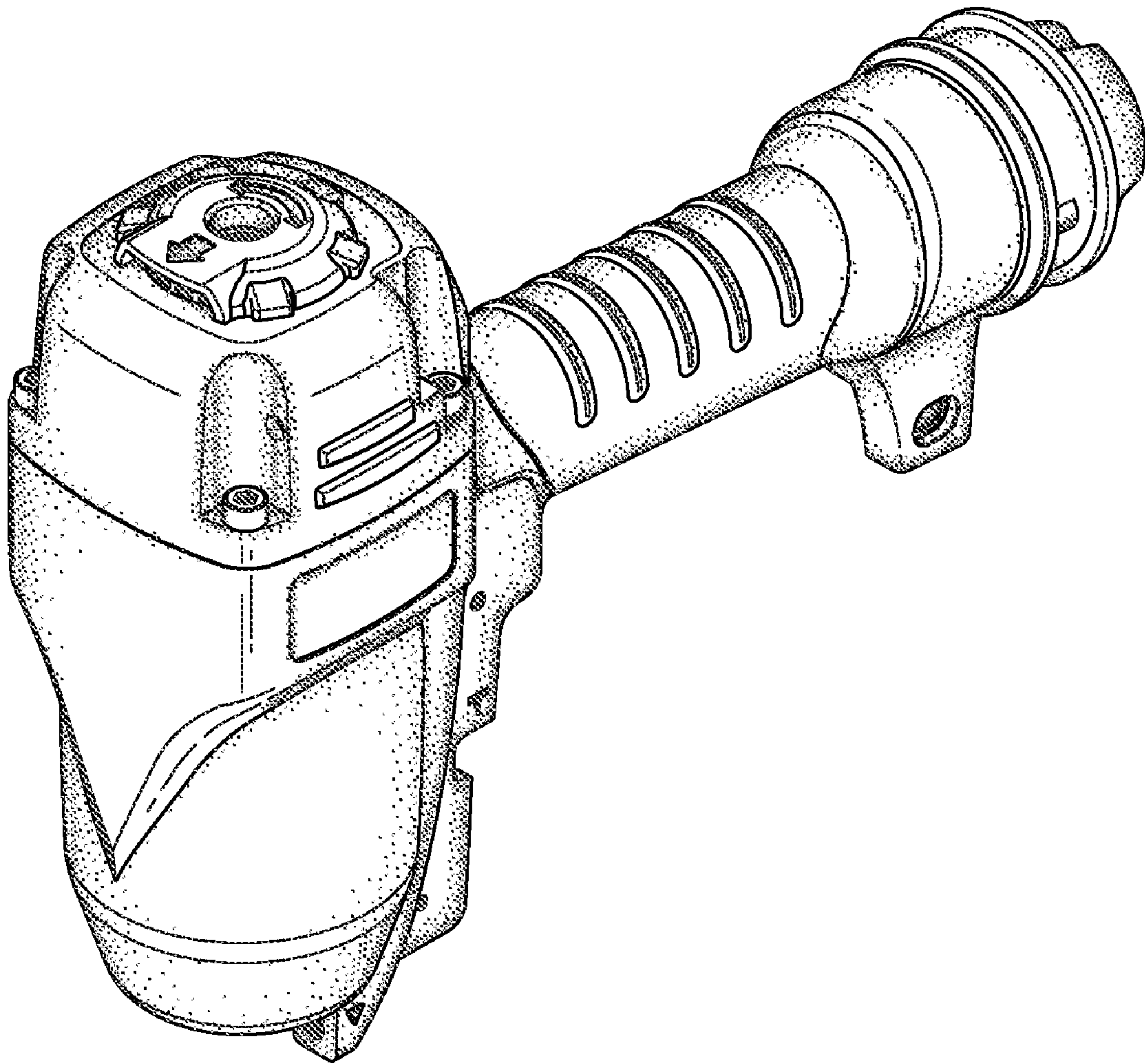


Fig. 1

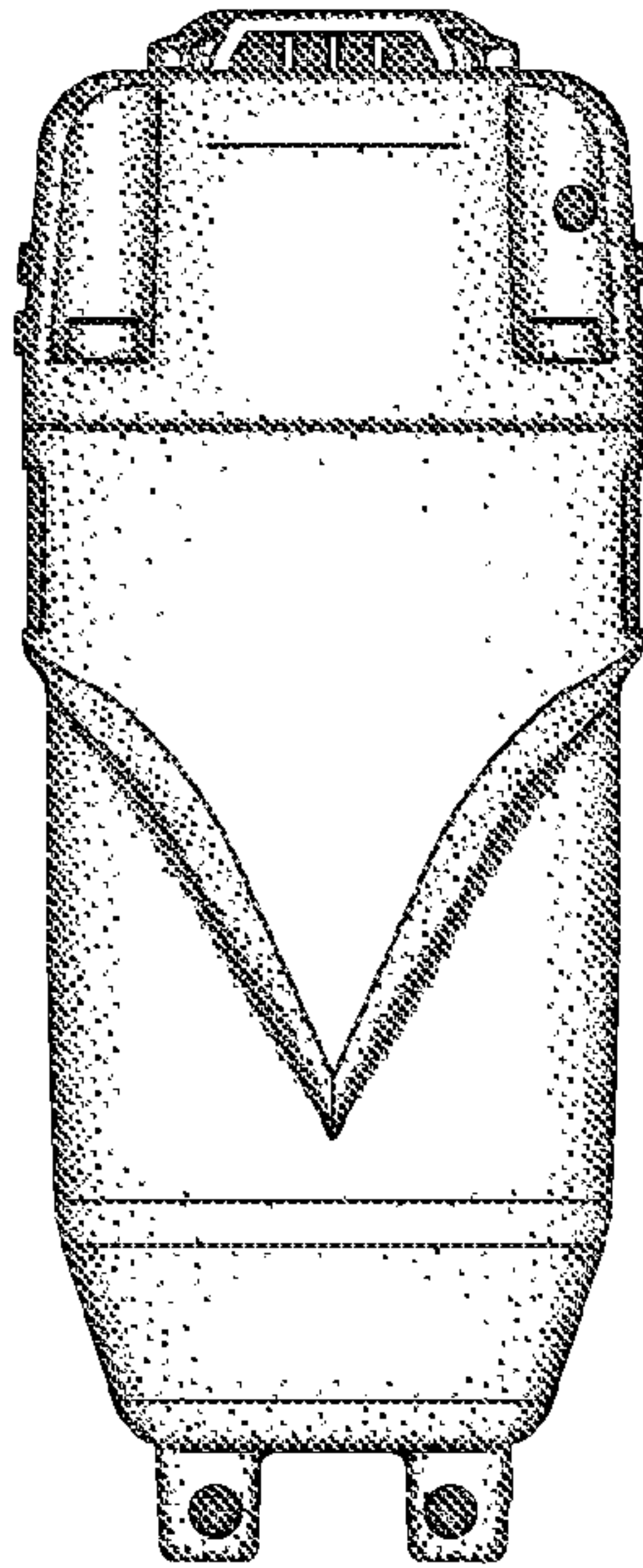


Fig. 2

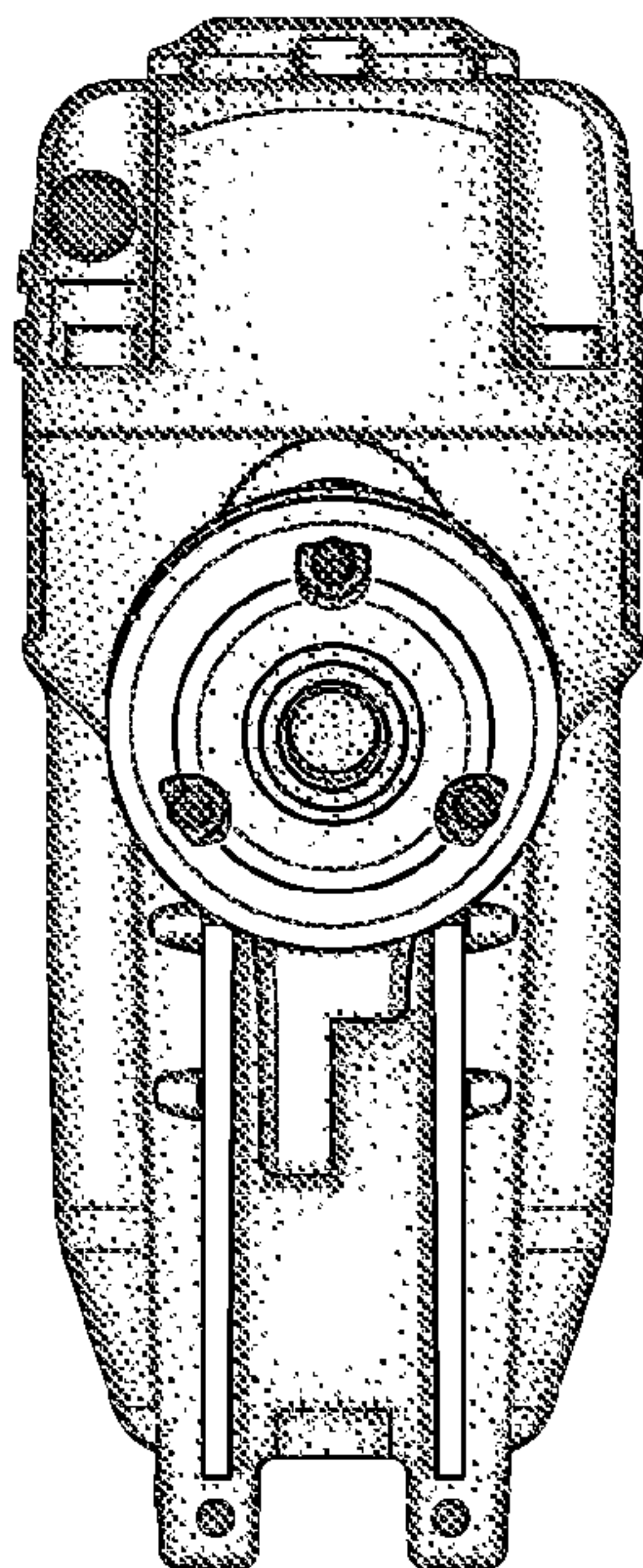


Fig. 3

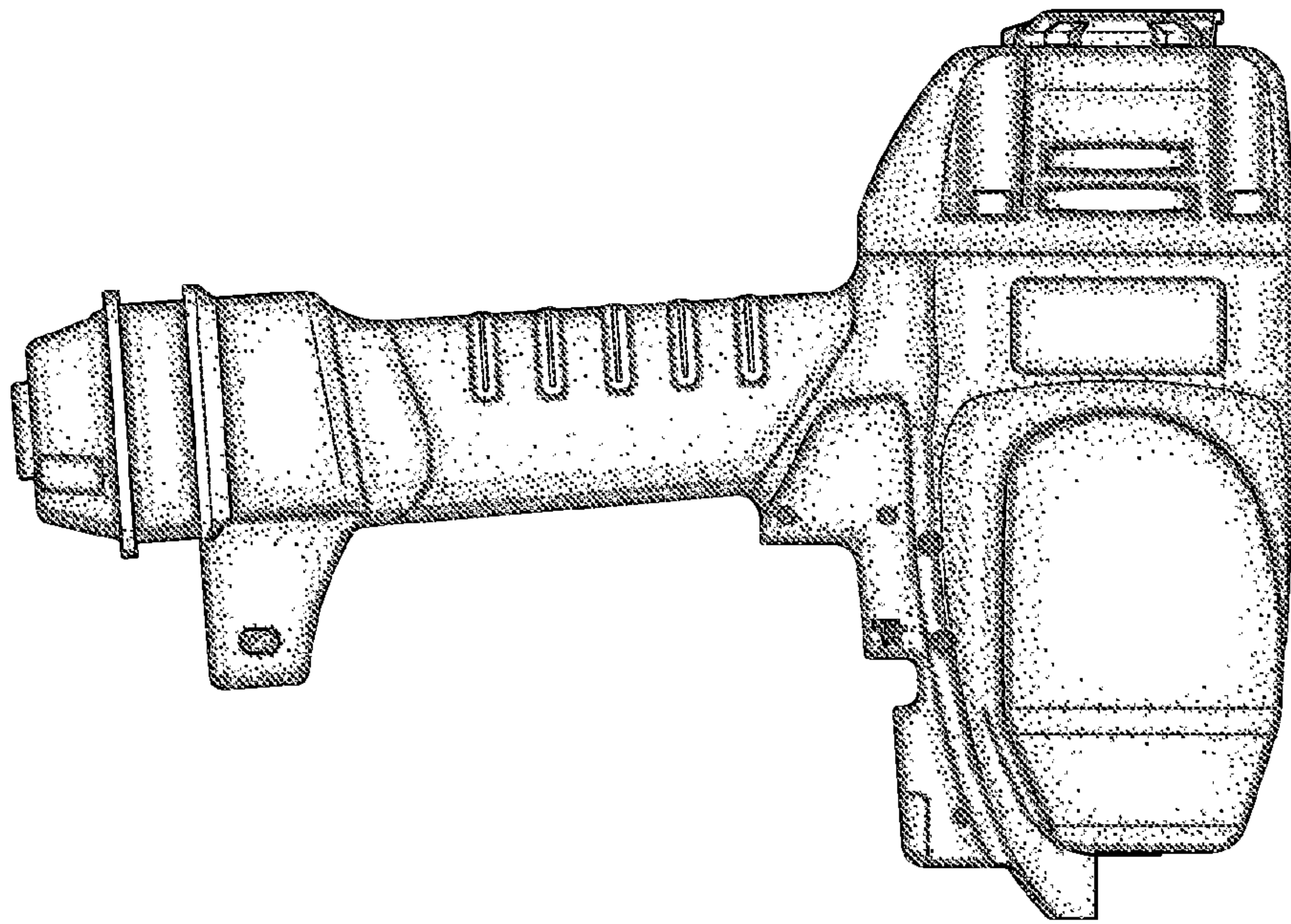


Fig. 4

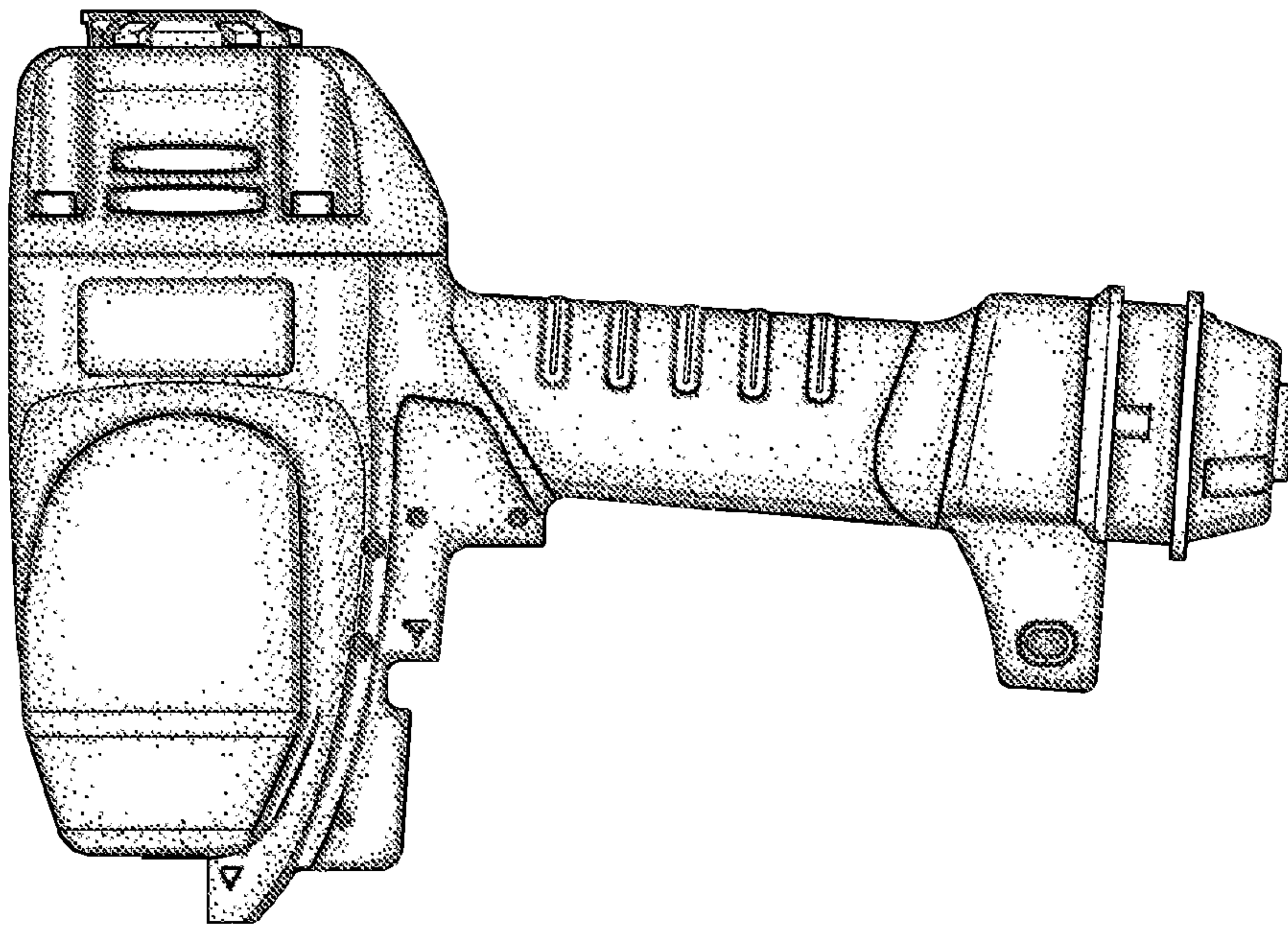


Fig. 5

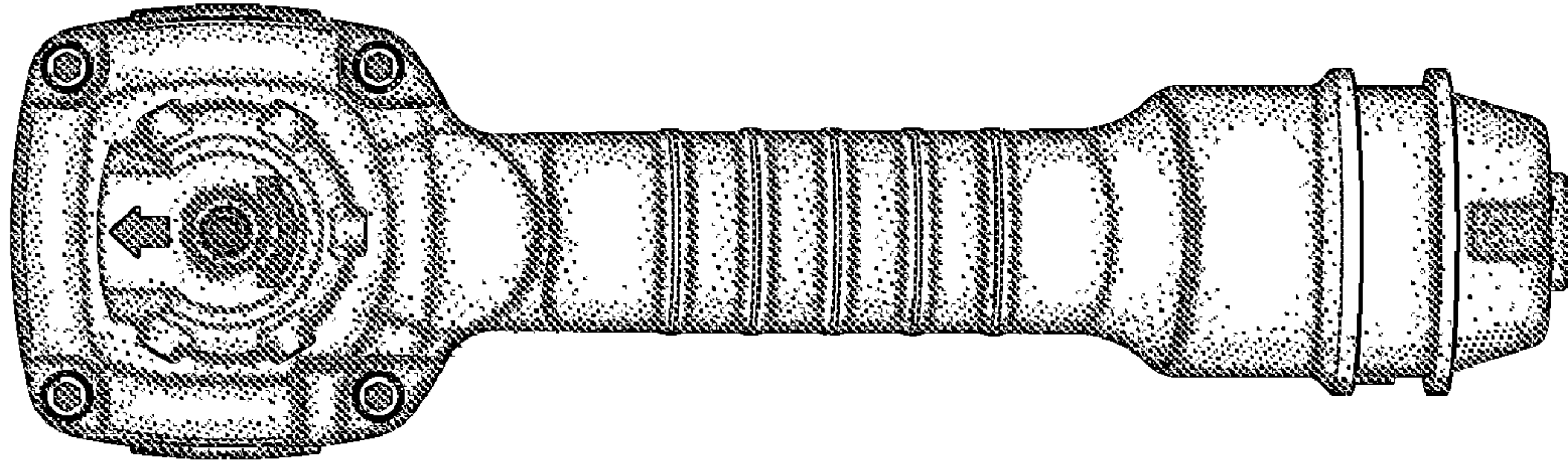


Fig. 6

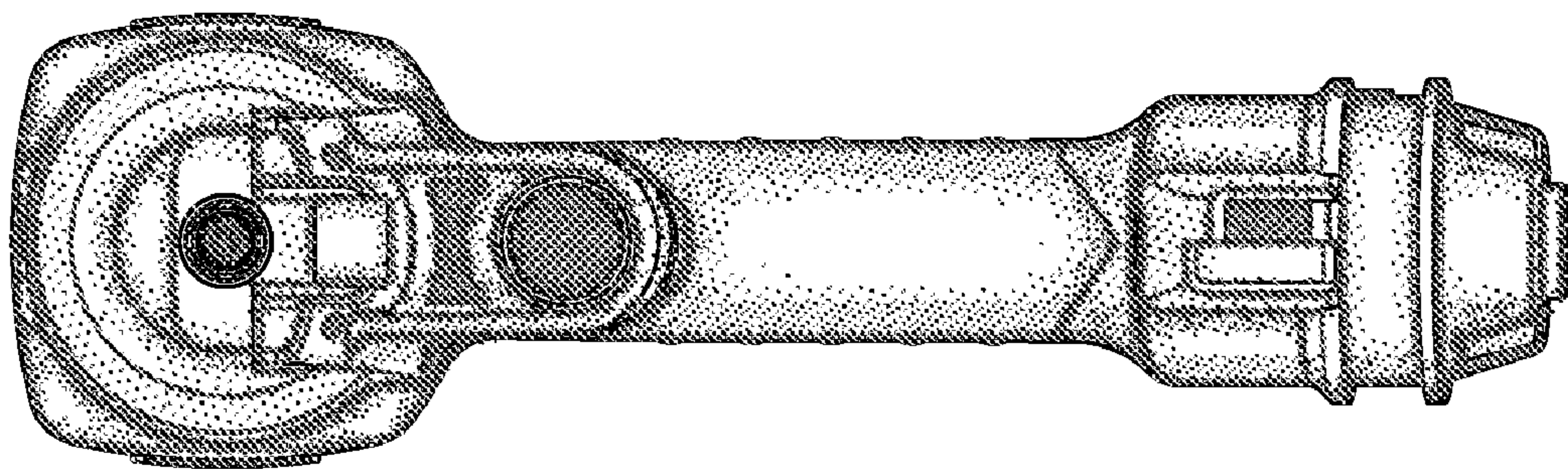


Fig. 7

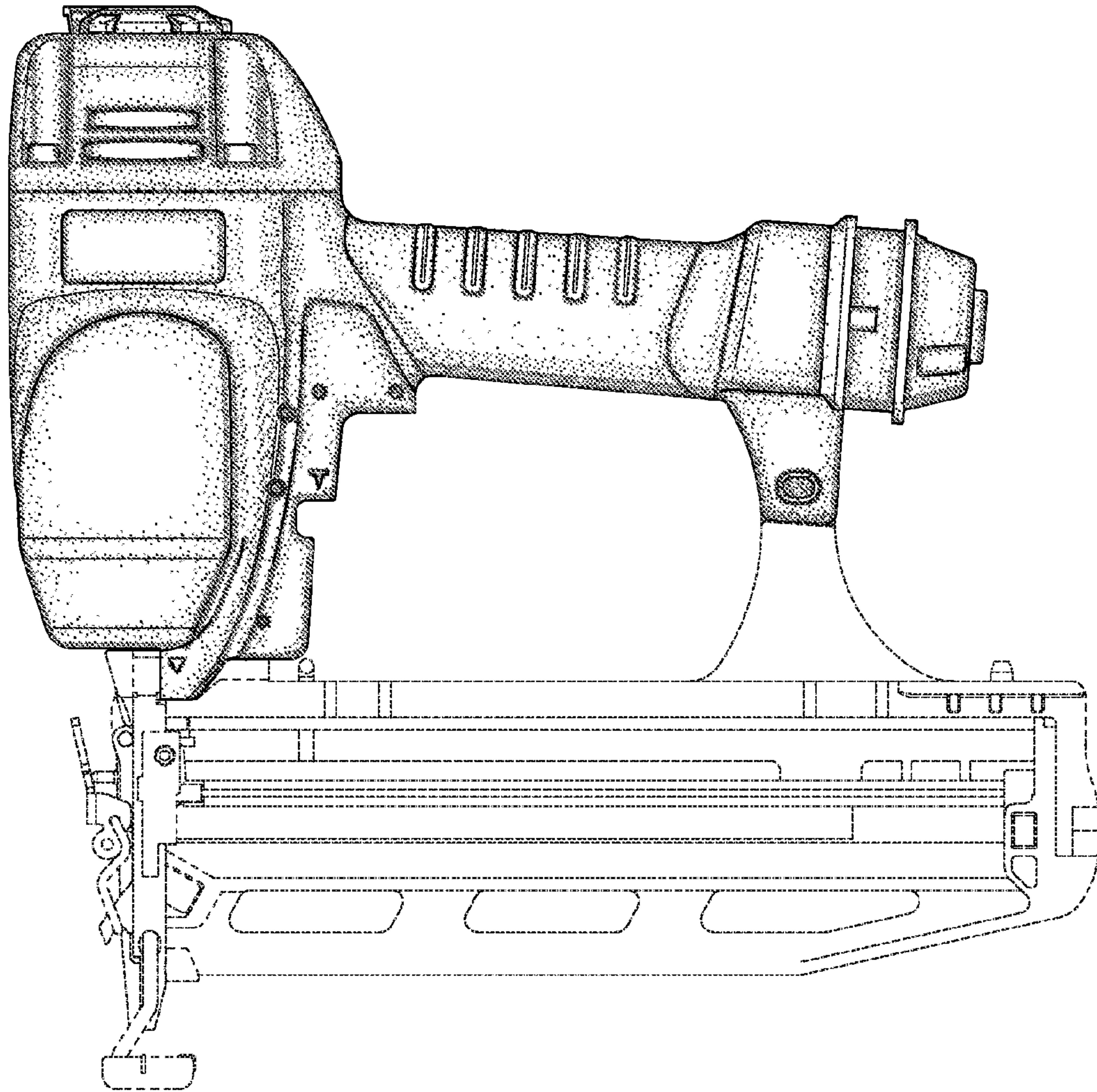


Fig. 8

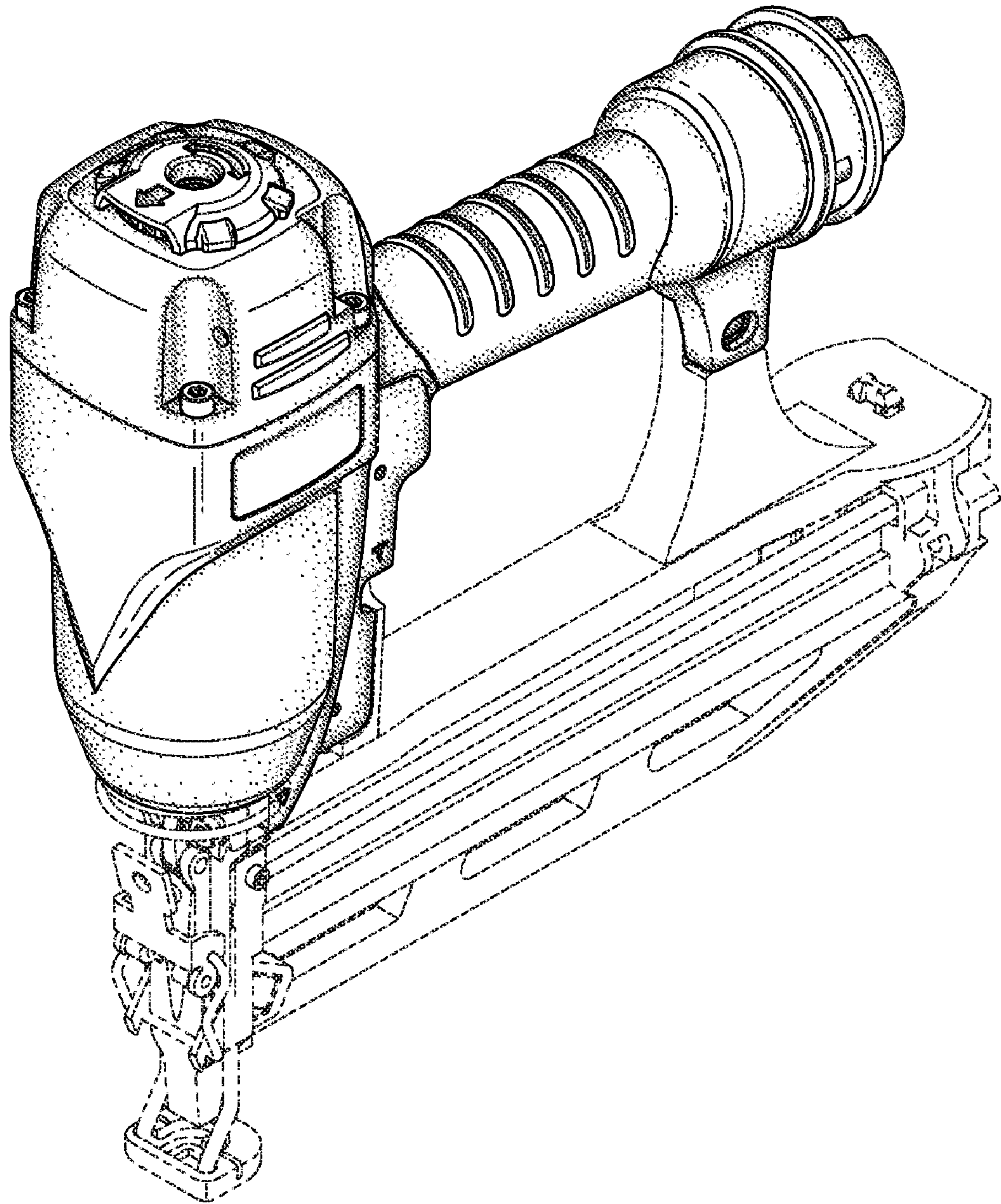


Fig. 9

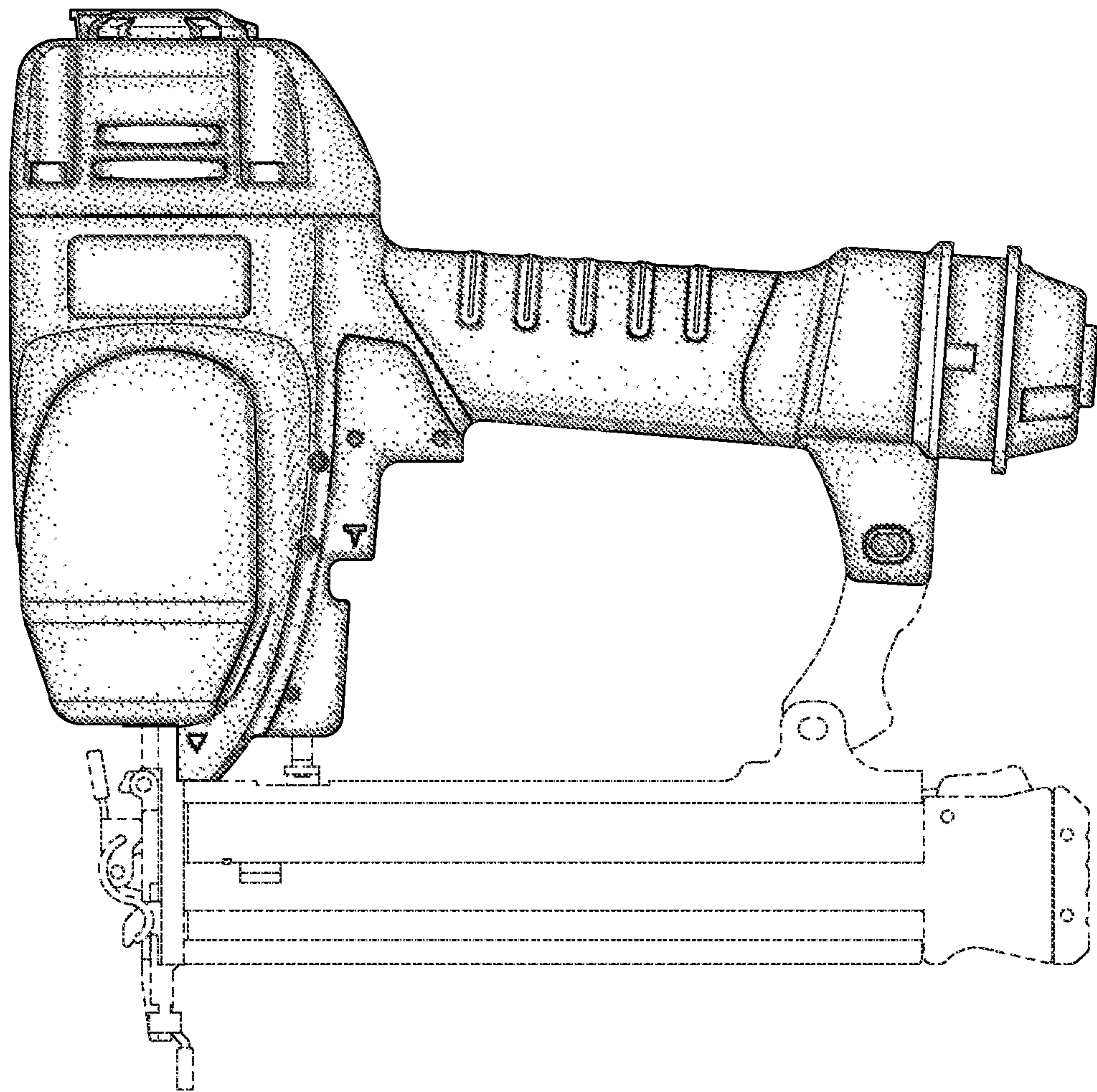


Fig. 10

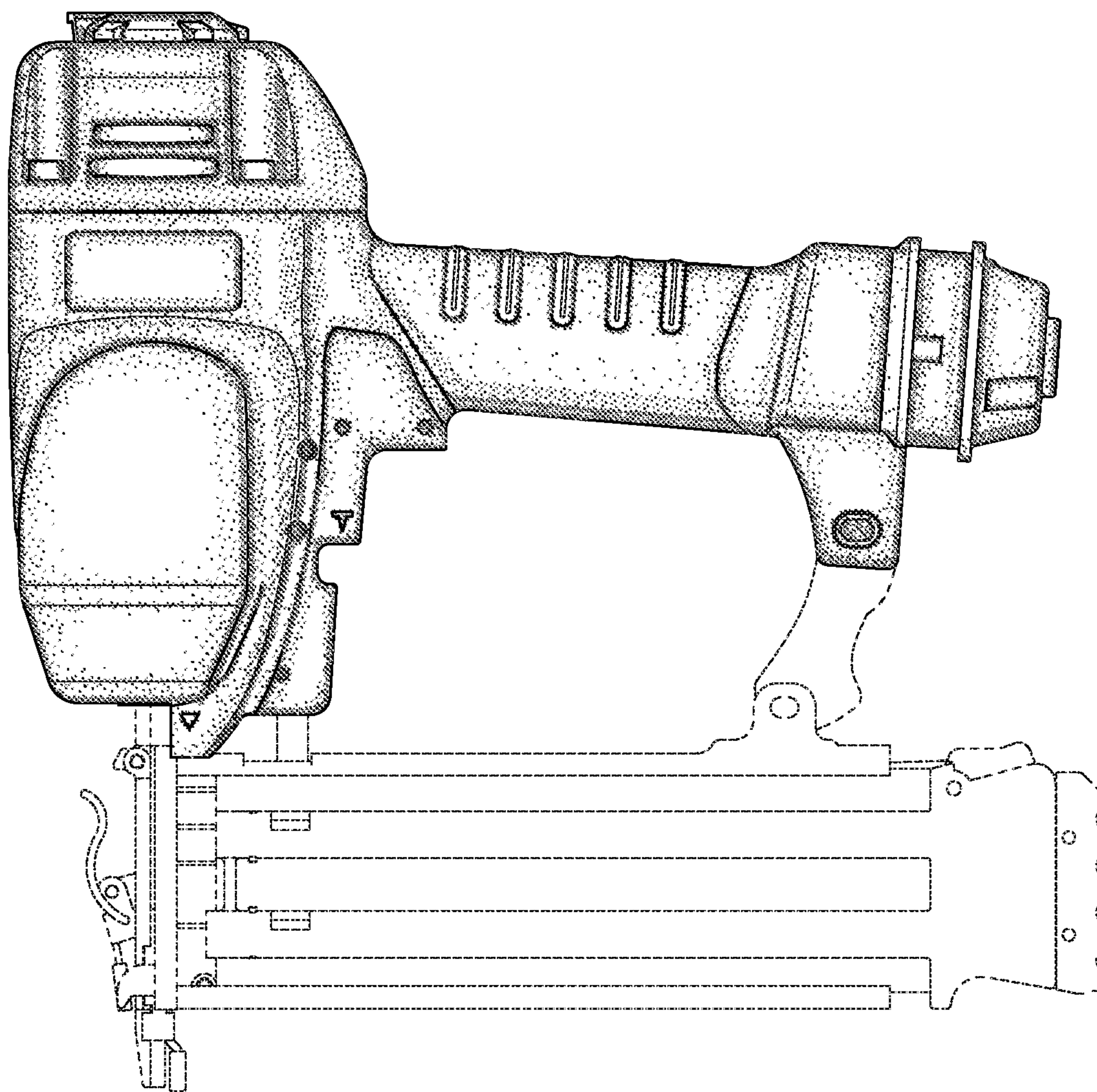


Fig. 11

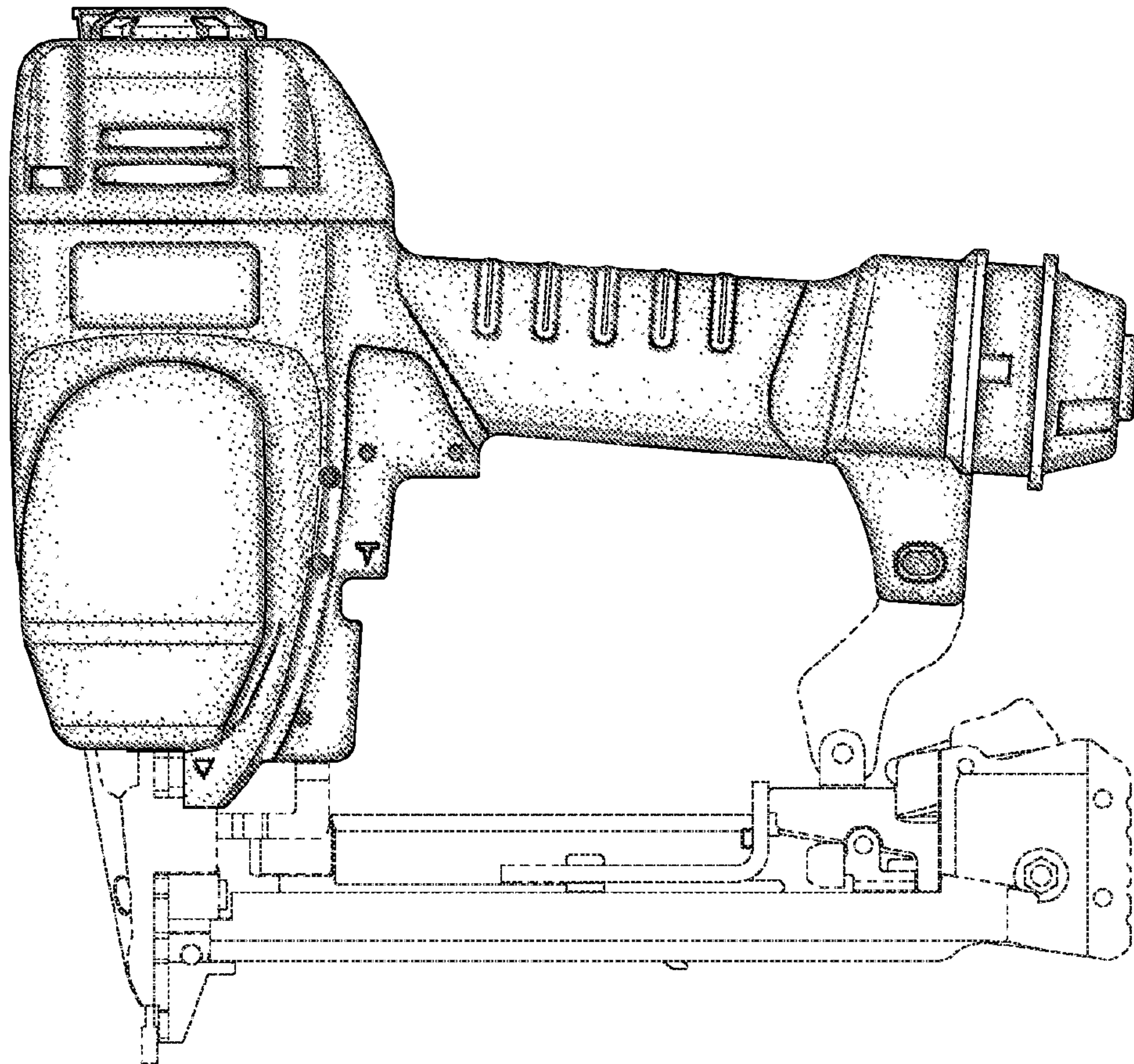


Fig. 12

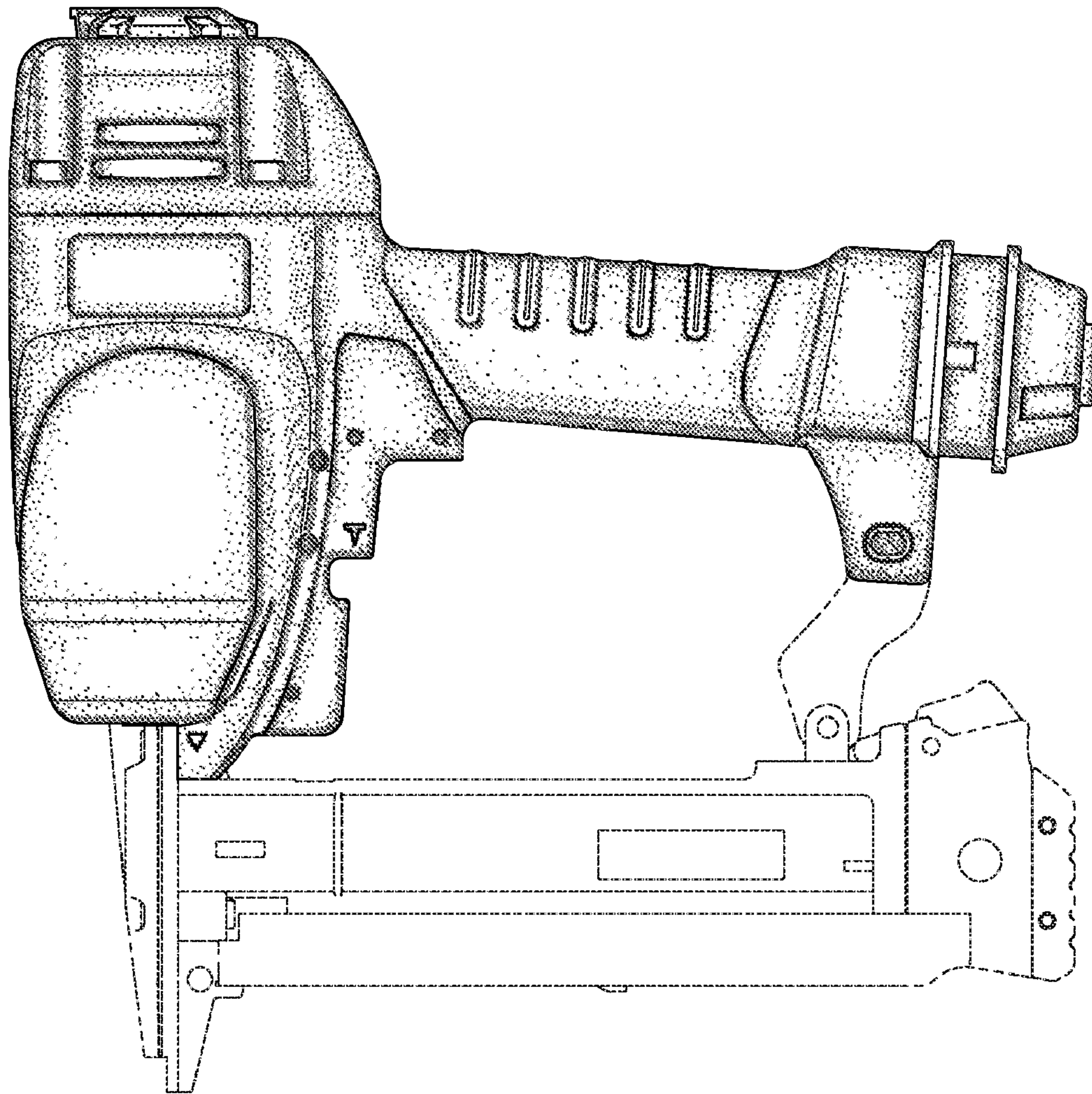


Fig. 13

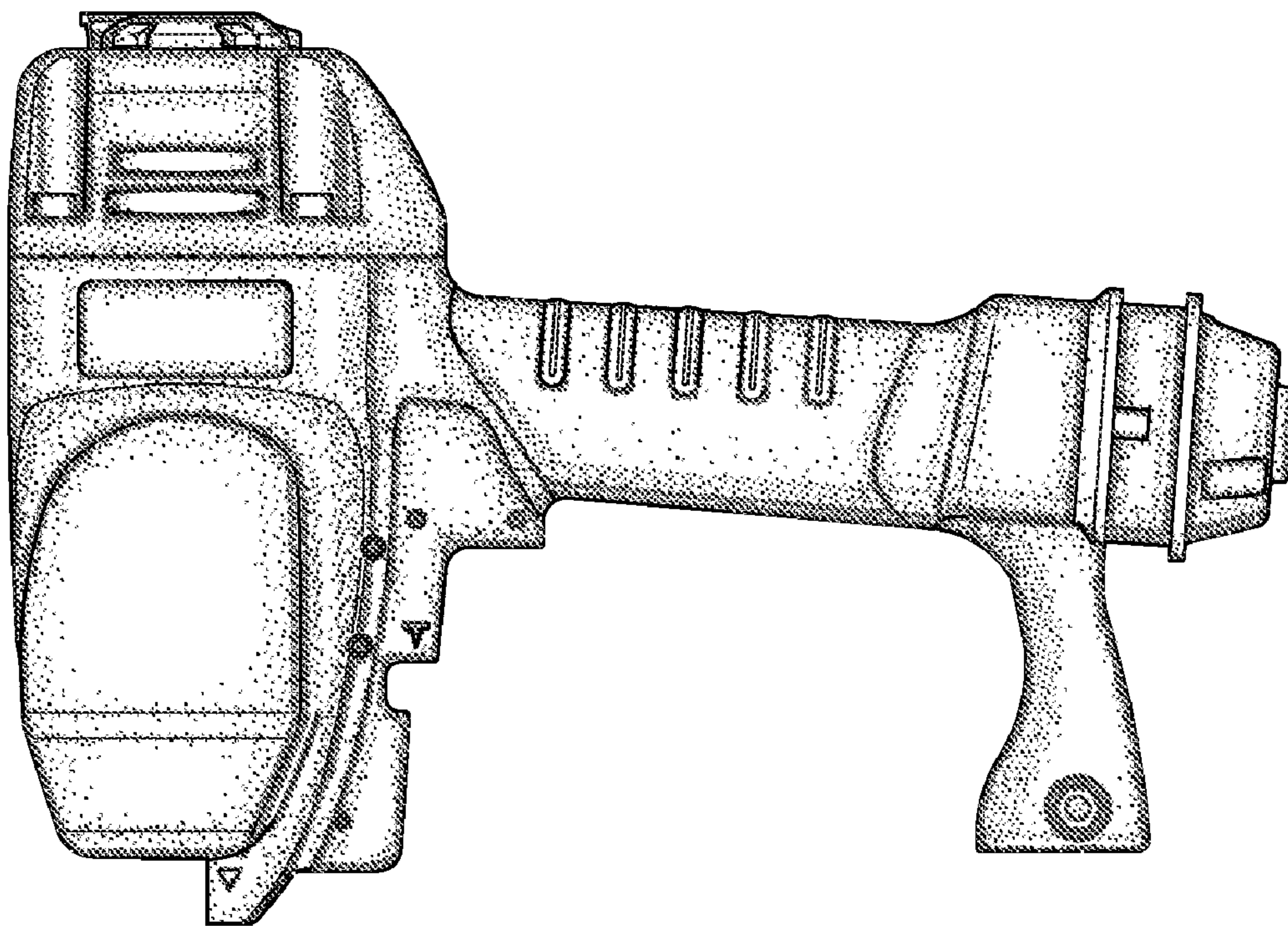


Fig. 14