

US00D567615S

(12) **United States Design Patent**
Taniguchi et al.

(10) **Patent No.:** **US D567,615 S**
(45) **Date of Patent:** **** Apr. 29, 2008**

(54) **PORTABLE ELECTRIC DRIVER**
(75) Inventors: **Takeshi Taniguchi**, Hitachinaka (JP);
Hitoshi Tsuzuki, Hitachinaka (JP);
Masanori Okada, Hitachinaka (JP);
Masato Sakai, Hitachinaka (JP);
Katsuhiro Oomori, Hitachinaka (JP)

(73) Assignee: **Hitachi Koki Co., Ltd.**, Tokyo (JP)

(**) Term: **14 Years**

(21) Appl. No.: **29/272,314**

(22) Filed: **Feb. 6, 2007**

(30) **Foreign Application Priority Data**

Aug. 7, 2006 (JP) 2006-020917

(51) **LOC (8) Cl.** **08-05**

(52) **U.S. Cl.** **D8/68**

(58) **Field of Classification Search** D8/14.1,
D8/61-70; 81/57.11, 429, 454-456, 469,
81/489; 173/13, 104, 114, 168-171, 178,
173/201, 211, 213, 217; 408/20, 124, 125,
408/234, 241 R; 451/358; 310/50; 227/8,
227/113, 114, 120, 130, 136, 142
See application file for complete search history.

(56) **References Cited**

U.S. PATENT DOCUMENTS

D462,594 S *	9/2002	Flickinger	D8/68
D484,385 S *	12/2003	Sakai et al.	D8/68
D493,344 S *	7/2004	Watson	D8/68
D499,945 S *	12/2004	Sugawara et al.	D8/68
6,905,052 B2 *	6/2005	Sakai et al.	173/217
D512,891 S *	12/2005	Aglassinger	D8/68
D515,379 S *	2/2006	Corcoran	D8/68

D519,808 S *	5/2006	Otsuka et al.	D8/68
D520,832 S *	5/2006	Ozawa et al.	D8/68
D520,834 S *	5/2006	Furuta et al.	D8/68
D524,136 S *	7/2006	Taniguchi et al.	D8/68
D525,099 S *	7/2006	Nagasaka et al.	D8/68
7,090,032 B2 *	8/2006	Wada et al.	173/217
7,108,079 B2 *	9/2006	Sakai et al.	173/217
7,140,451 B2 *	11/2006	Yoshimizu et al.	173/171
D533,423 S *	12/2006	Ino et al.	D8/68
2005/0121209 A1 *	6/2005	Shimizu et al.	173/217
2005/0155778 A1 *	7/2005	Ishida et al.	173/217
2006/0175069 A1 *	8/2006	Sakakibara et al.	173/217
2007/0056760 A1 *	3/2007	Yoshimizu et al.	173/217

FOREIGN PATENT DOCUMENTS

GB 3003854 S * 5/2002

* cited by examiner

Primary Examiner—T. Chase Nelson
(74) *Attorney, Agent, or Firm*—Sughrue Mion, PLLC

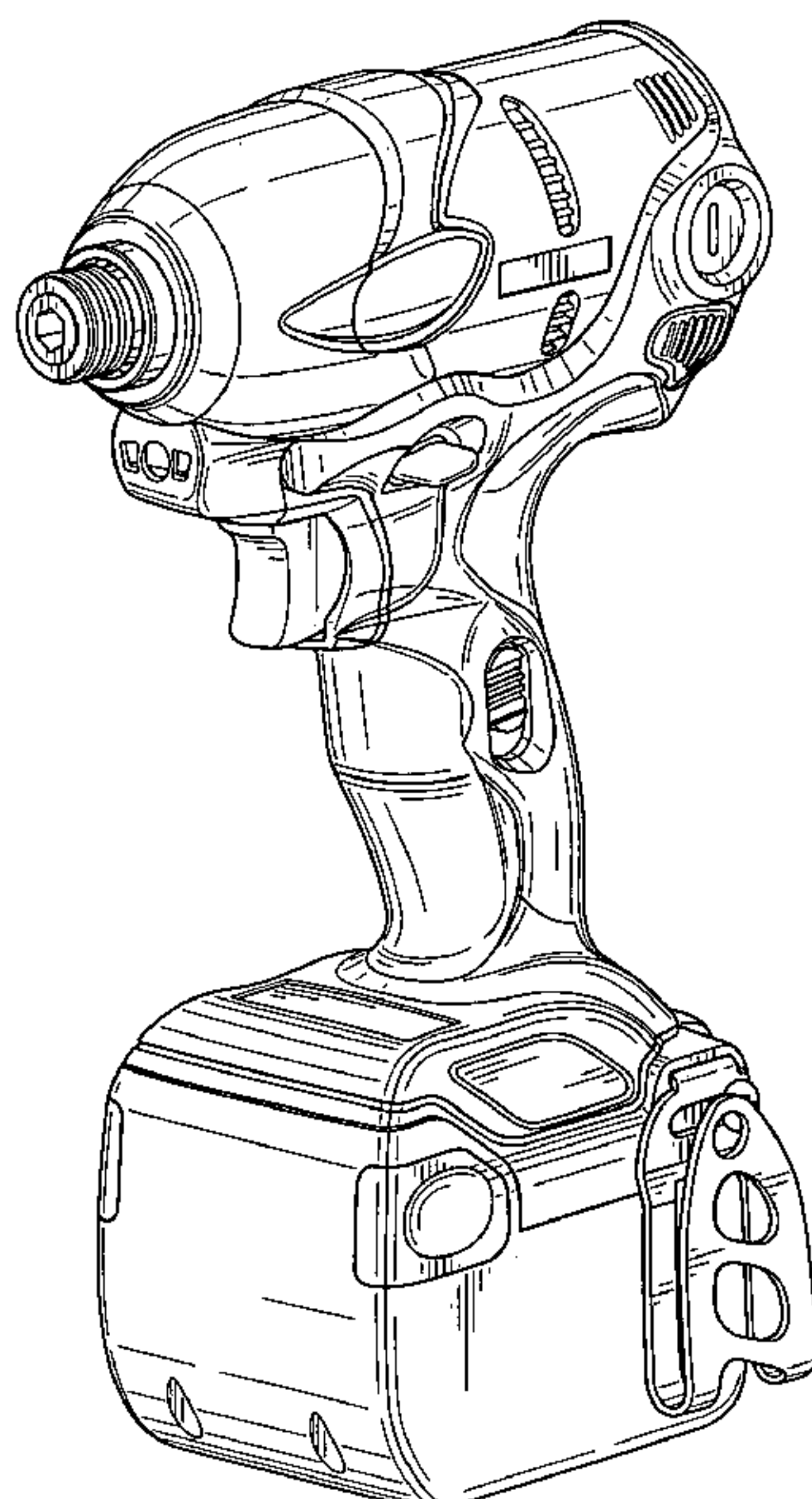
(57) **CLAIM**

The ornamental design for a portable electric driver, as shown.

DESCRIPTION

FIG. 1 is a perspective view of the top, front and left side of a portable electric driver showing our new design;
FIG. 2 is a left side elevational view thereof;
FIG. 3 is a front elevational view thereof;
FIG. 4 is a right side elevational view thereof;
FIG. 5 is a rear elevational view thereof;
FIG. 6 is a top plan view thereof; and,
FIG. 7 is a bottom plan view thereof.

1 Claim, 4 Drawing Sheets



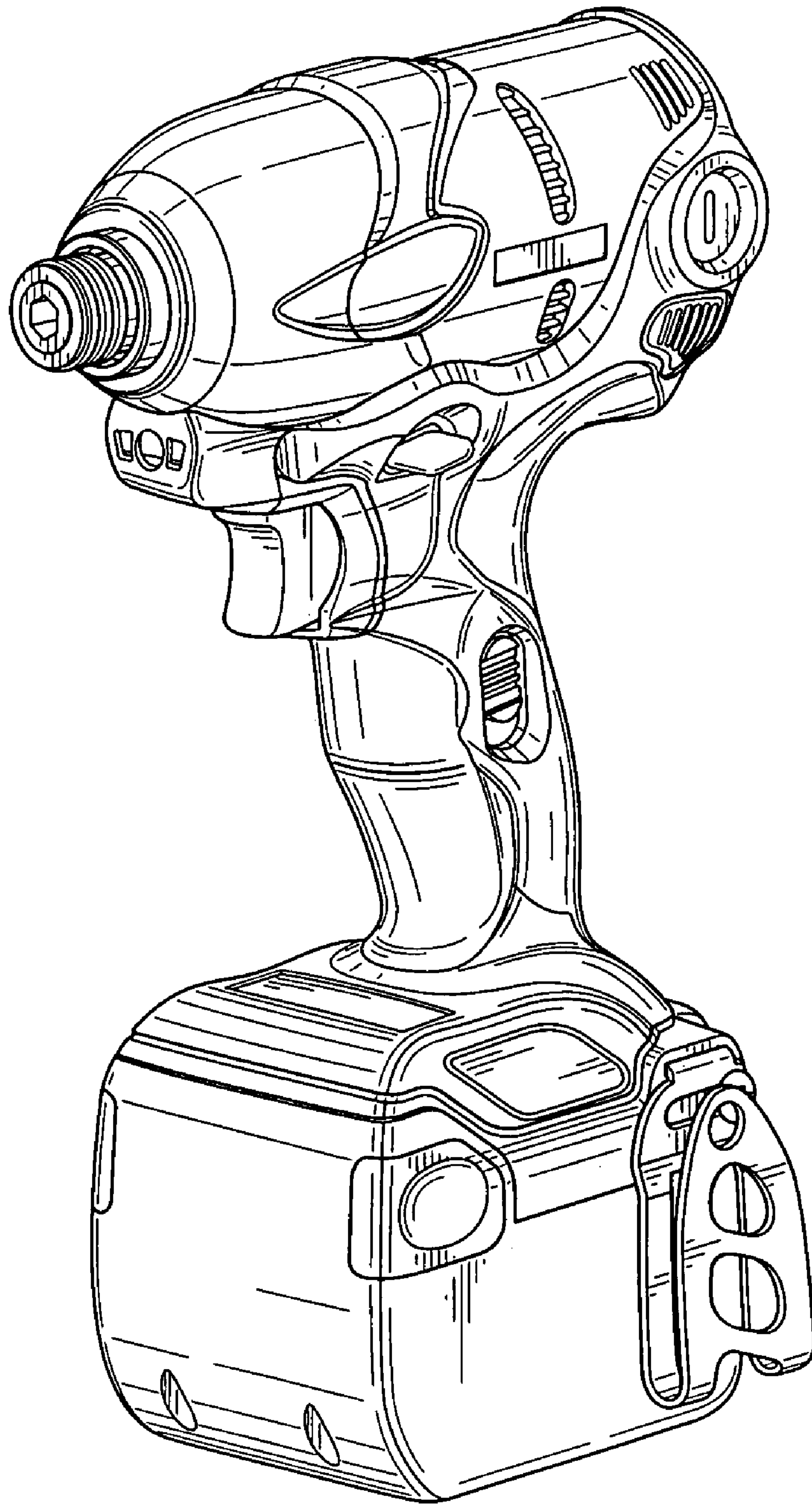


FIG. 1

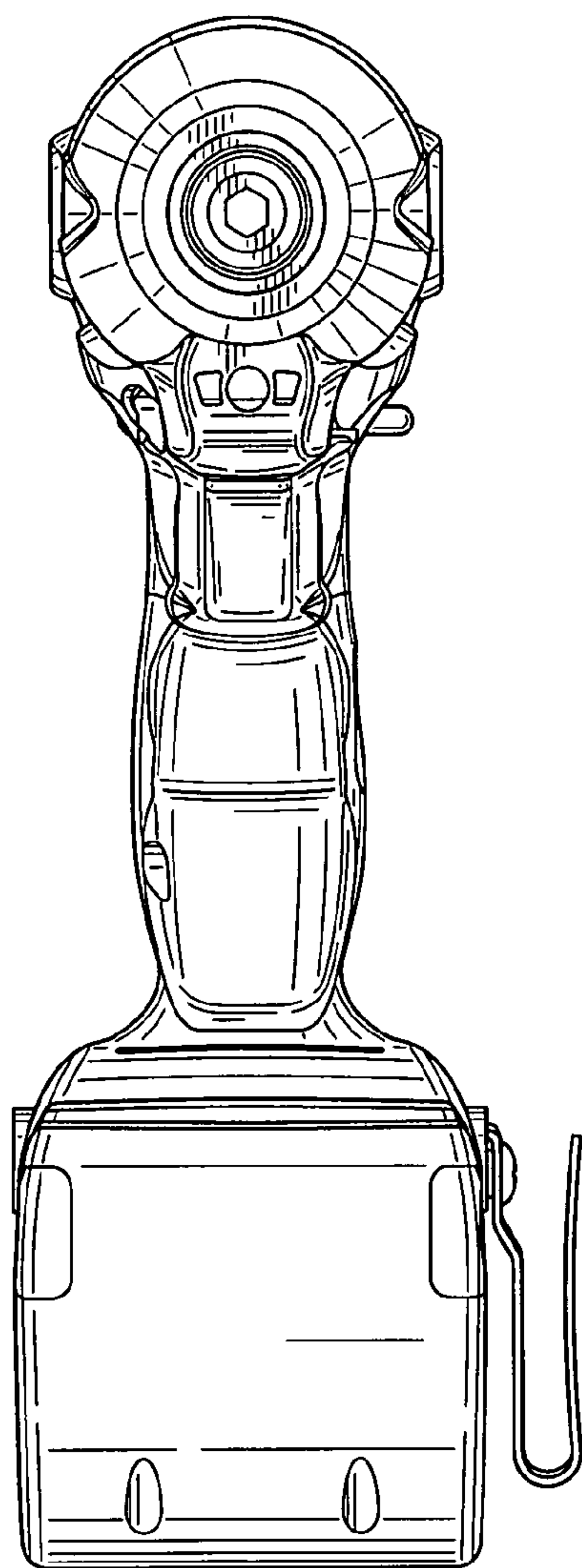


FIG. 2

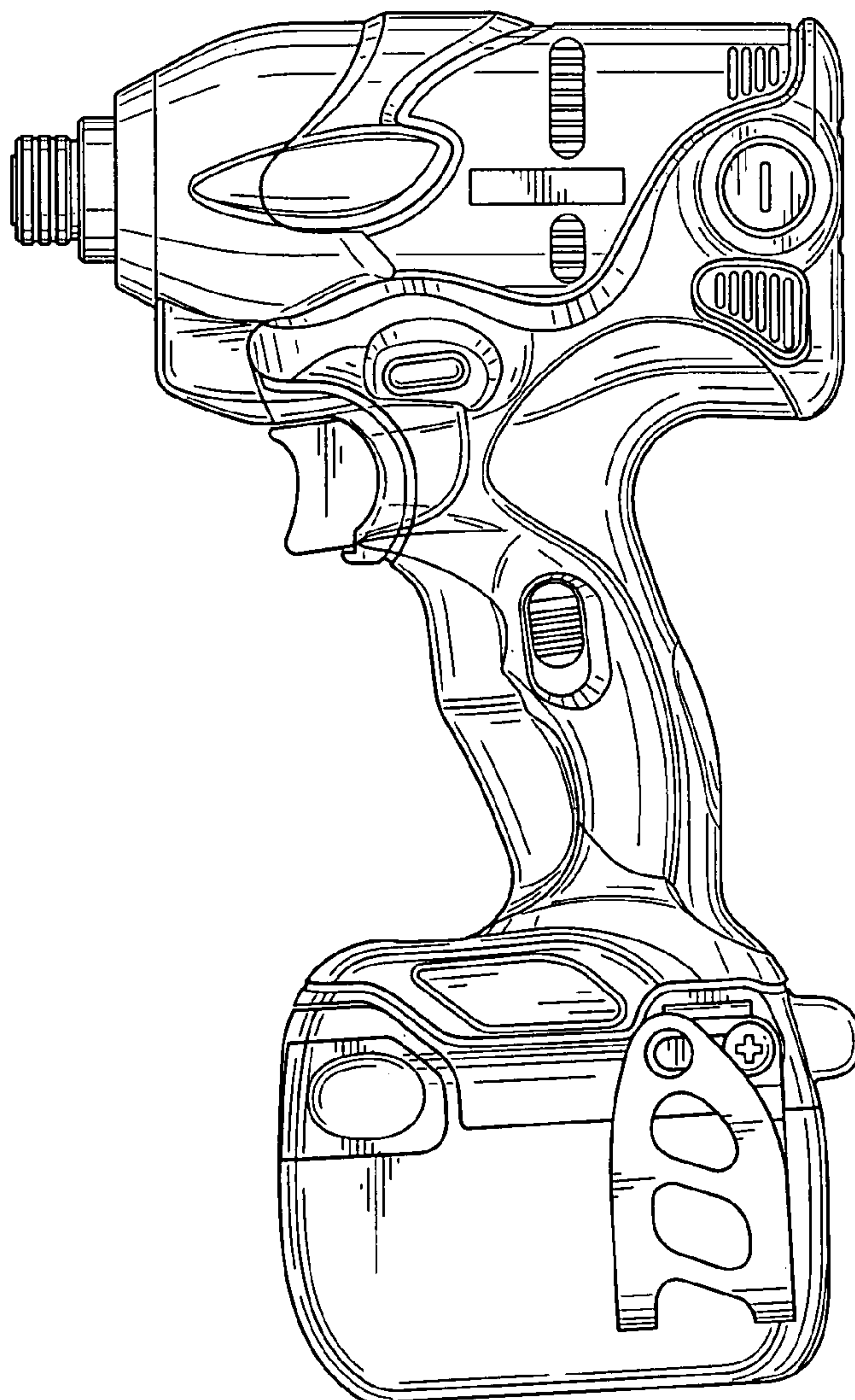


FIG. 3

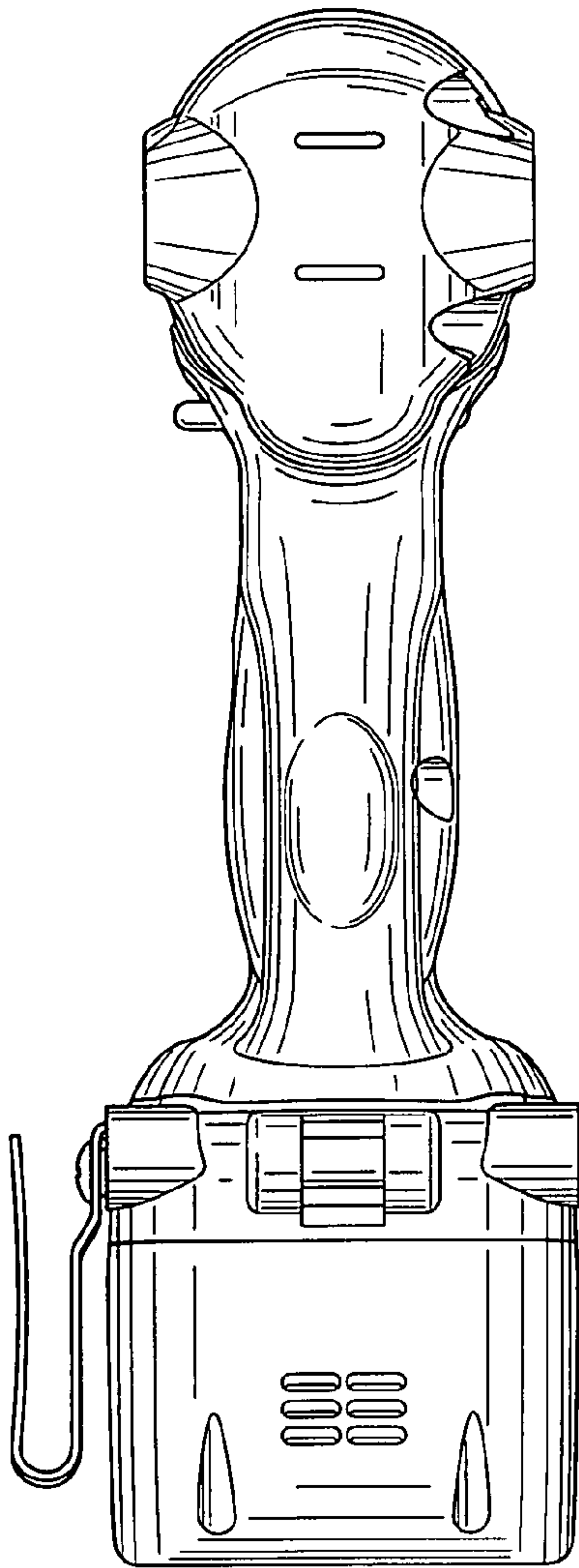


FIG. 4

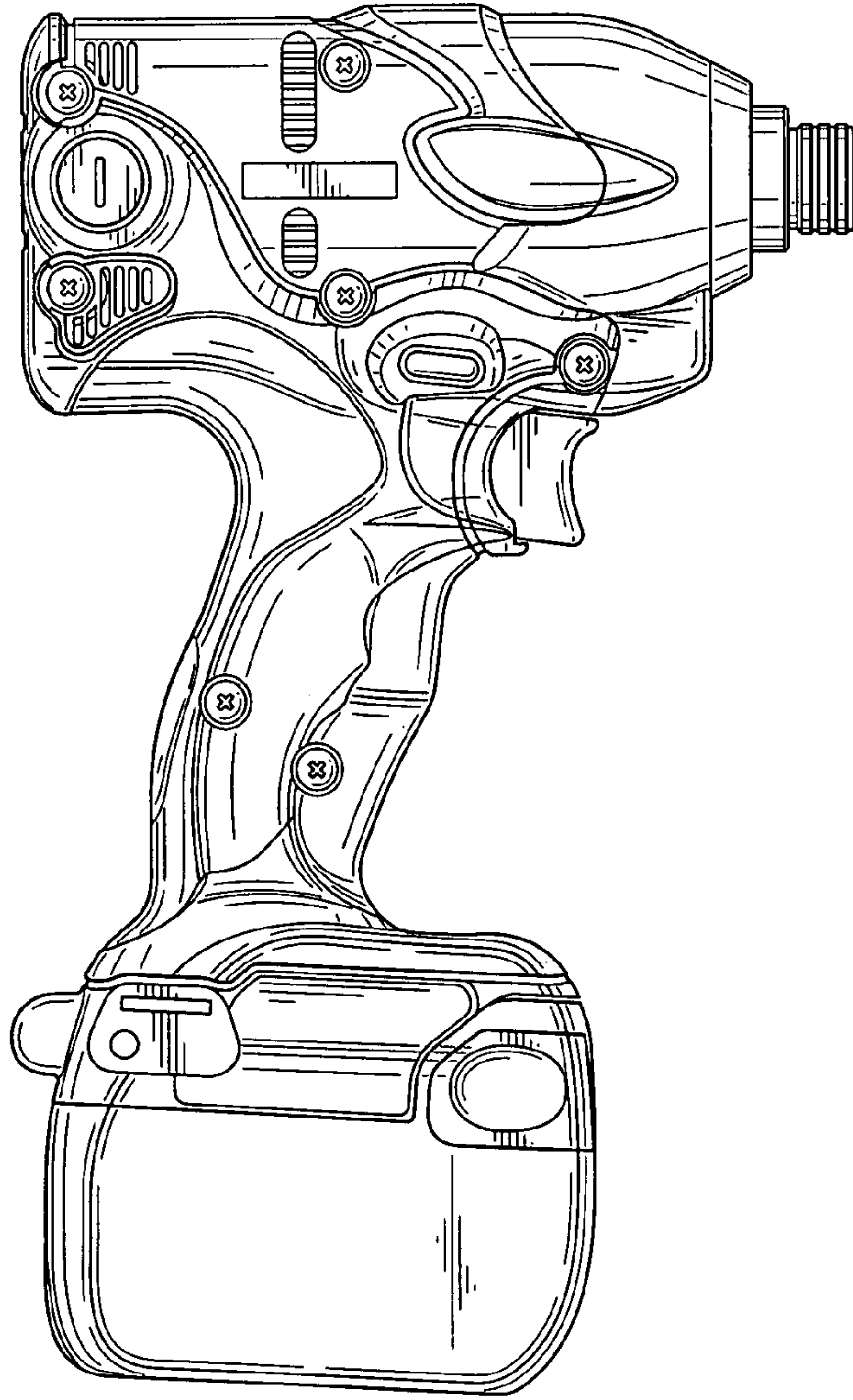


FIG. 5

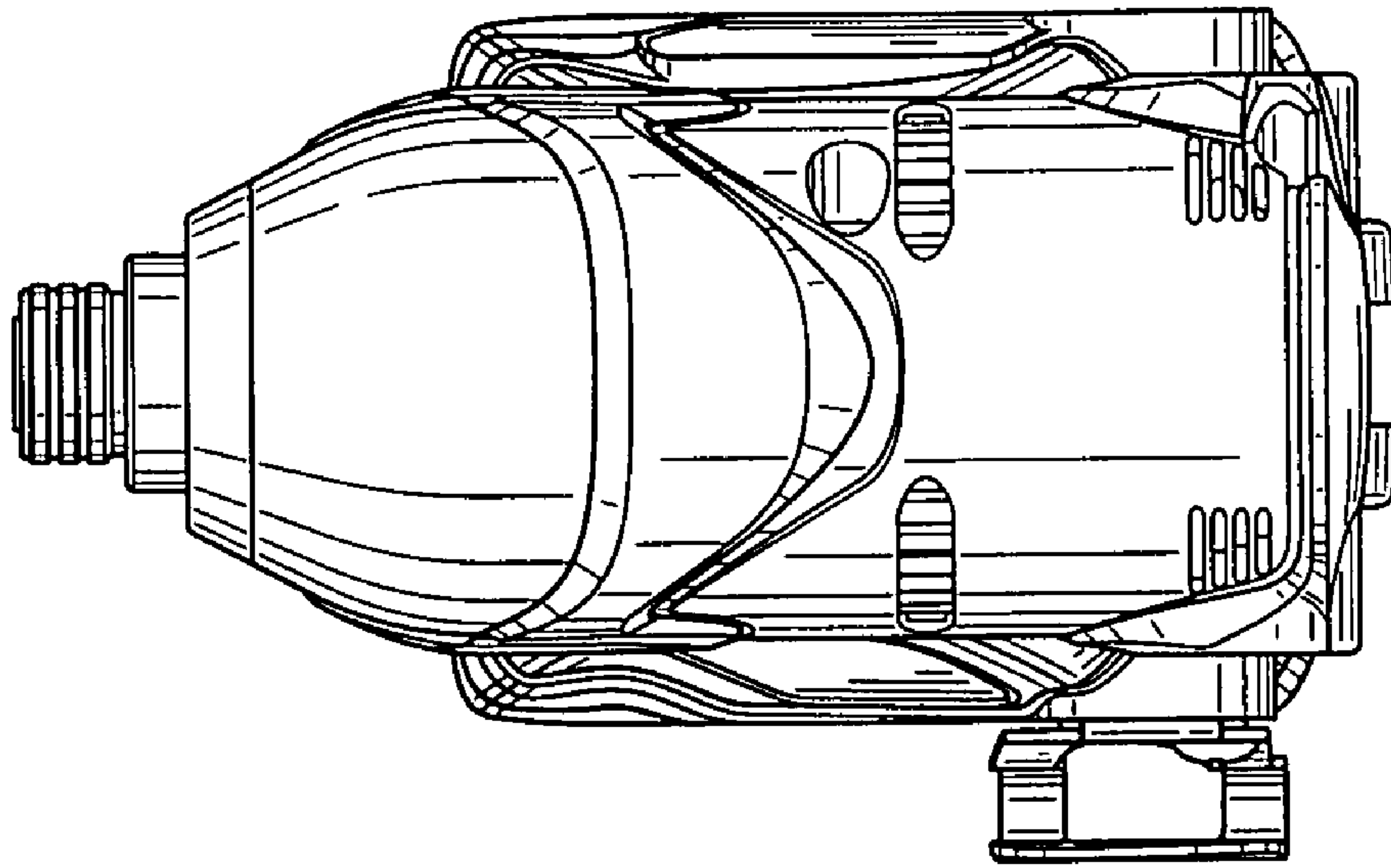


FIG. 6

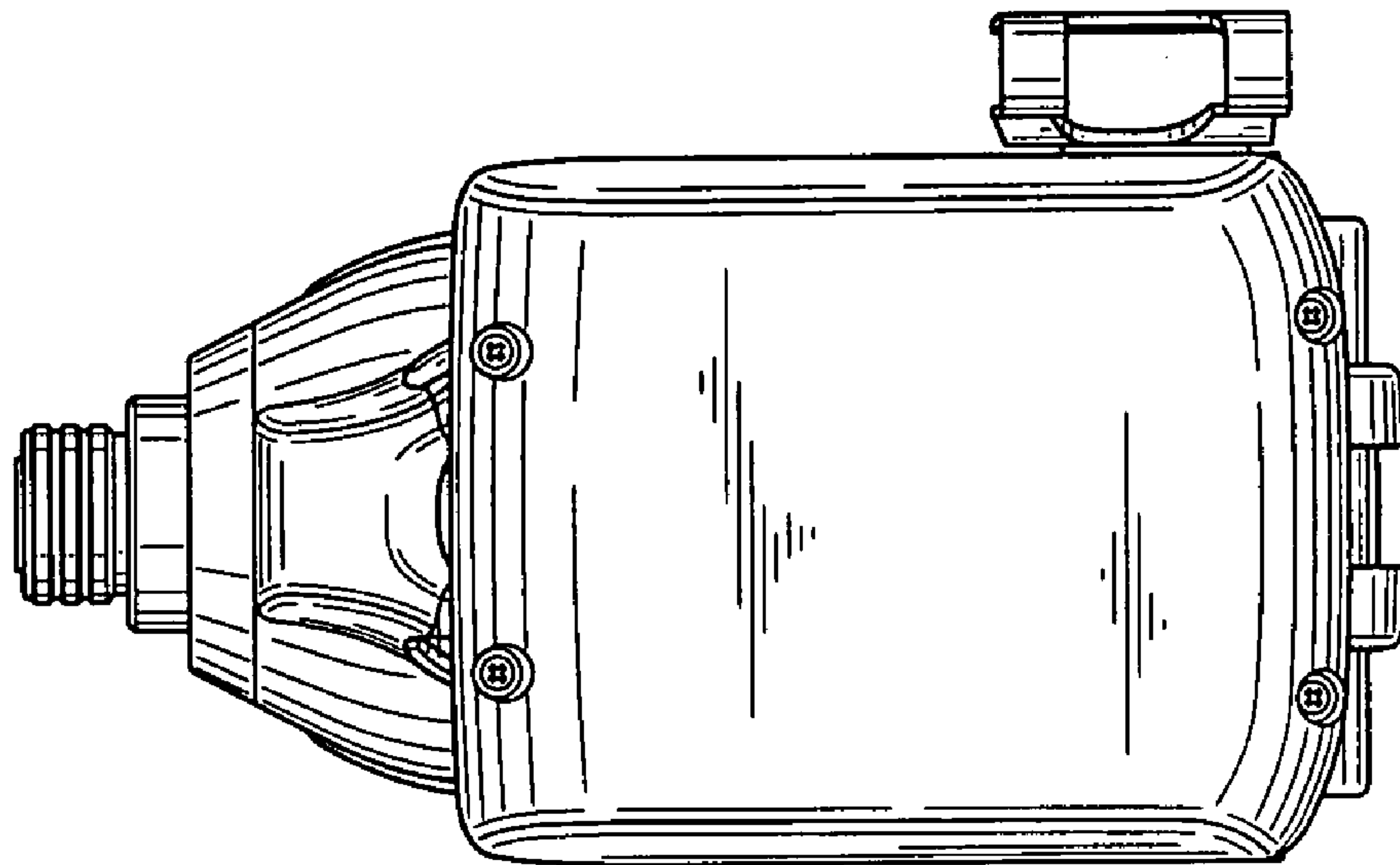


FIG. 7