



US00D567614S

(12) **United States Design Patent**
Okuda

(10) **Patent No.:** **US D567,614 S**

(45) **Date of Patent:** **** Apr. 29, 2008**

(54) **PORTABLE ELECTRIC HAMMER DRILL**

(75) Inventor: **Shinsuke Okuda**, Anjo (JP)

(73) Assignee: **Makita Corporation**, Anjo (JP)

(**) Term: **14 Years**

(21) Appl. No.: **29/268,239**

(22) Filed: **Nov. 2, 2006**

Related U.S. Application Data

(62) Division of application No. 29/262,158, filed on Jun. 28, 2006, now Pat. No. Des. 540,135.

(30) **Foreign Application Priority Data**

Jan. 18, 2006 (JP) 2006-00892
Jan. 18, 2006 (JP) 2006-00893

(51) **LOC (8) Cl.** **08-01**

(52) **U.S. Cl.** **D8/68**

(58) **Field of Classification Search** D8/14.1,
D8/61-70; 81/57.11, 429, 454-456, 469,
81/489; 173/13, 104, 114, 168-171, 178,
173/201, 211, 213, 217; 408/20, 124, 125,
408/234, 241 R; 451/358; 310/50; 227/8,
227/113, 114, 120, 130, 136, 142

See application file for complete search history.

(56) **References Cited**

U.S. PATENT DOCUMENTS

D280,797 S * 10/1985 Sakamoto et al. D8/68
4,776,406 A * 10/1988 Wanner 173/170
5,036,925 A * 8/1991 Wache 173/109
5,159,986 A * 11/1992 Hoser 173/48
D337,711 S * 7/1993 Ogawa et al. D8/68
D342,878 S * 1/1994 Watanabe et al. D8/68
D343,105 S * 1/1994 Shibata et al. D8/68
D396,621 S * 8/1998 Zurwelle D8/68
D406,511 S * 3/1999 Zurwelle D8/68
D406,741 S * 3/1999 Zurwelle D8/68
D439,123 S * 3/2001 Sakai et al. D8/68
D486,049 S * 2/2004 Sugiura et al. D8/68
D488,978 S * 4/2004 Cheung D8/68

D492,565 S * 7/2004 Stirm D8/68
D502,374 S * 3/2005 Aglassinger D8/68
D502,375 S * 3/2005 Aglassinger D8/68
D507,950 S * 8/2005 Aglassinger D8/68
D511,286 S * 11/2005 Aglassinger D8/68
D526,178 S * 8/2006 Alias D8/68
D527,969 S * 9/2006 Okada et al. D8/68
D533,419 S * 12/2006 Aglassinger D8/68
7,213,659 B2 * 5/2007 Saito et al. 173/178
D558,551 S * 1/2008 Okuda et al. D8/69
2006/0162943 A1 * 7/2006 Stirm 173/114
2006/0272836 A1 * 12/2006 Hirayama et al. 173/217
2007/0039747 A1 * 2/2007 Stirm 173/114

FOREIGN PATENT DOCUMENTS

GB 2071774 S * 7/1997
GB 3001472 S * 2/2002

OTHER PUBLICATIONS

European Community Design Registration No. 000400254-0001 issued Aug. 30, 2005.

* cited by examiner

Primary Examiner—T. Chase Nelson

Assistant Examiner—J. Scott

(74) *Attorney, Agent, or Firm*—Oliff & Berridge, PLC

(57) **CLAIM**

The ornamental design for the portable electric hammer drill, as shown and described.

DESCRIPTION

FIG. 1 is a front perspective view of the portable electric hammer drill;

FIG. 2 is a front elevation view thereof;

FIG. 3 is a rear elevation view thereof;

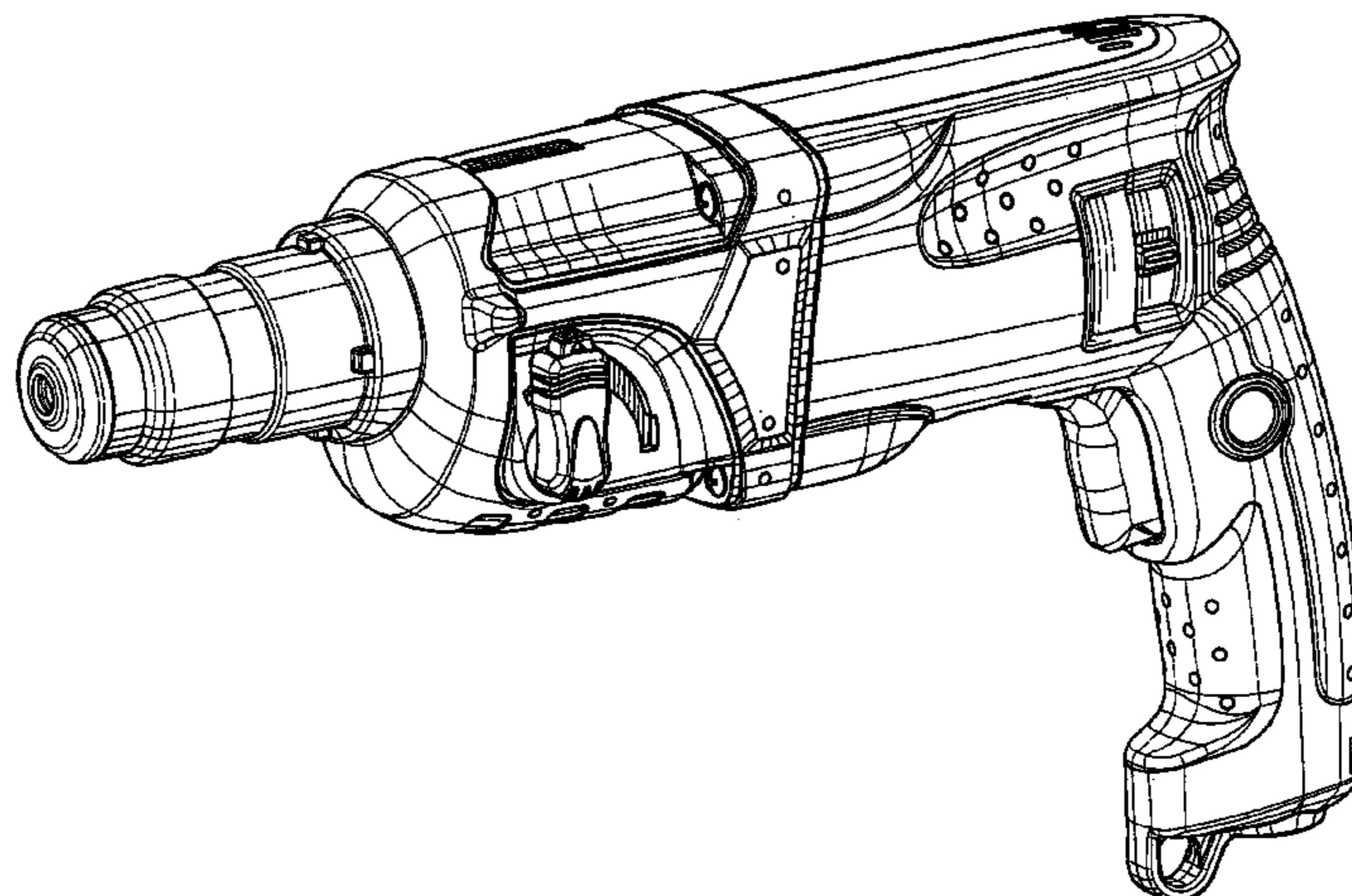
FIG. 4 a left side elevation view thereof;

FIG. 5 is a right side elevation view thereof;

FIG. 6 is a top plan view thereof; and,

FIG. 7 is a bottom plan view thereof.

1 Claim, 5 Drawing Sheets



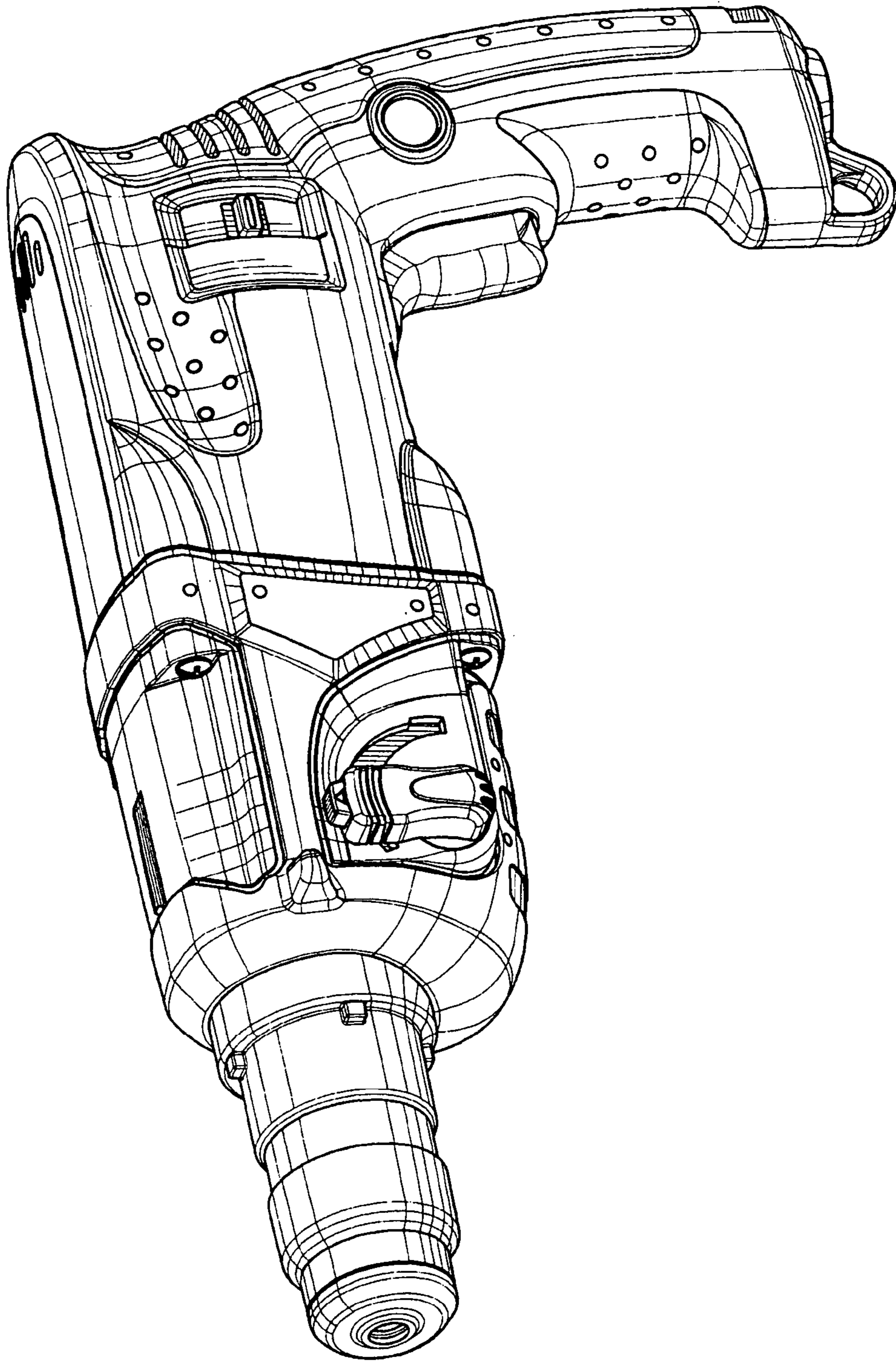


FIG. 1

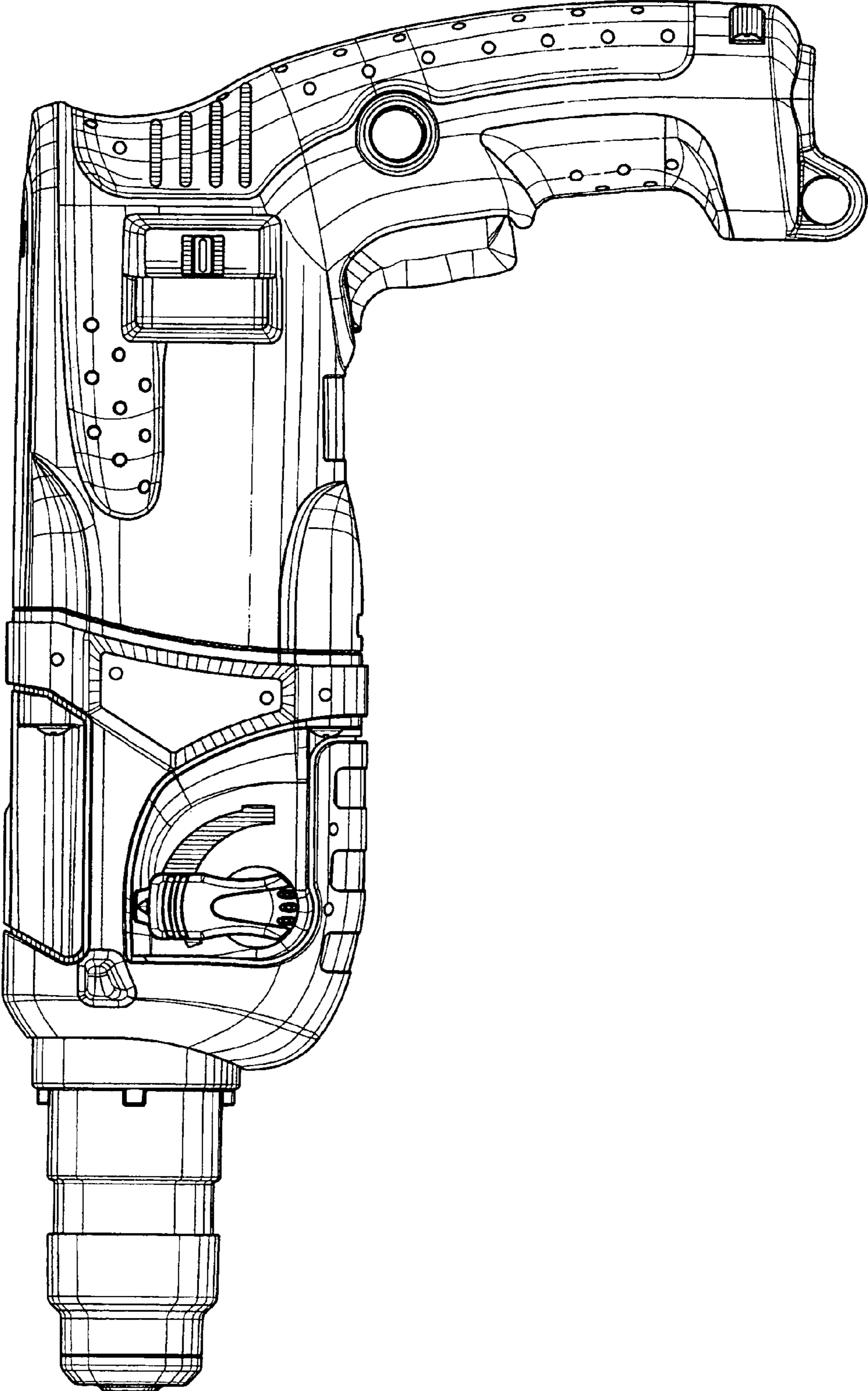


FIG. 2

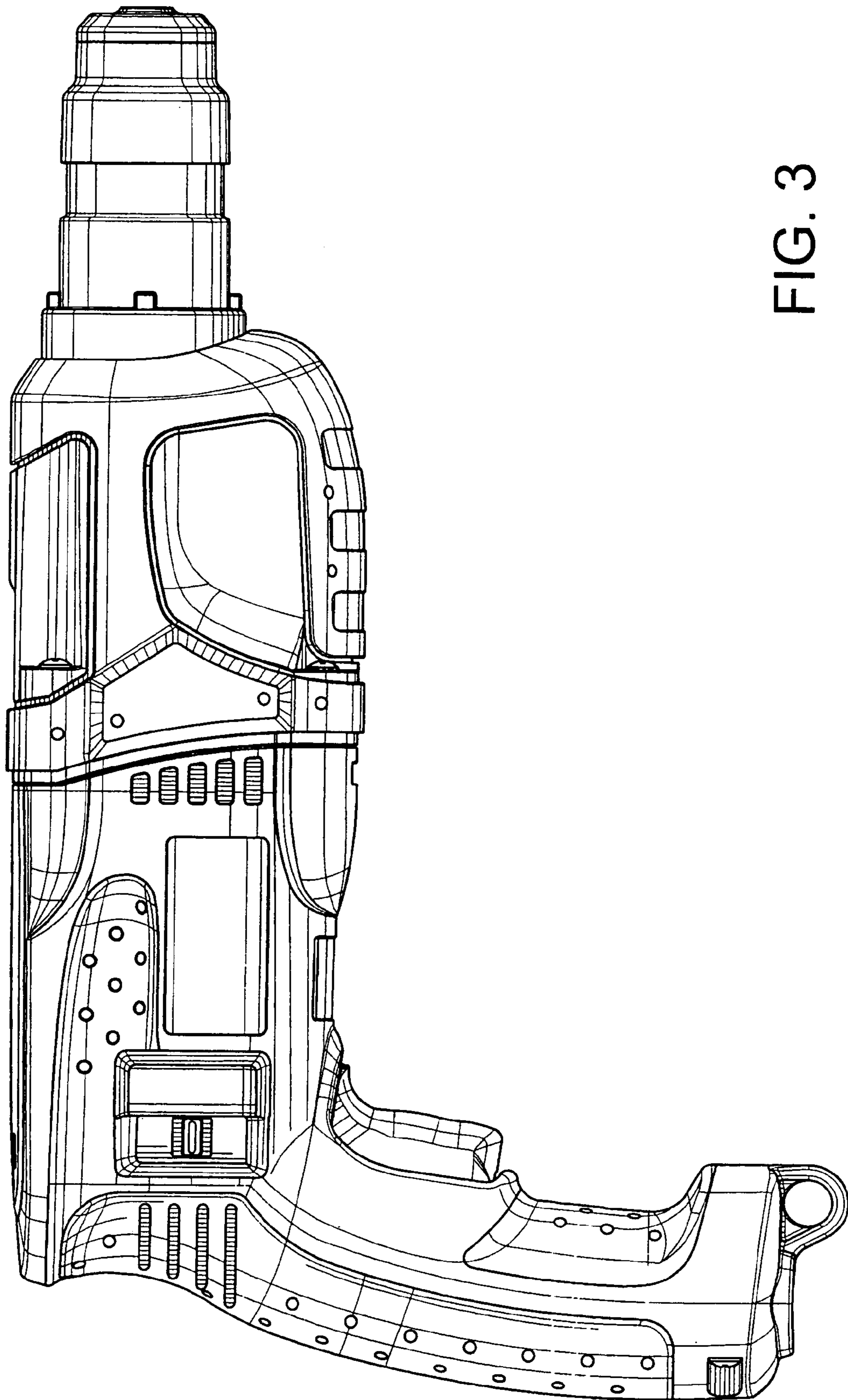


FIG. 3

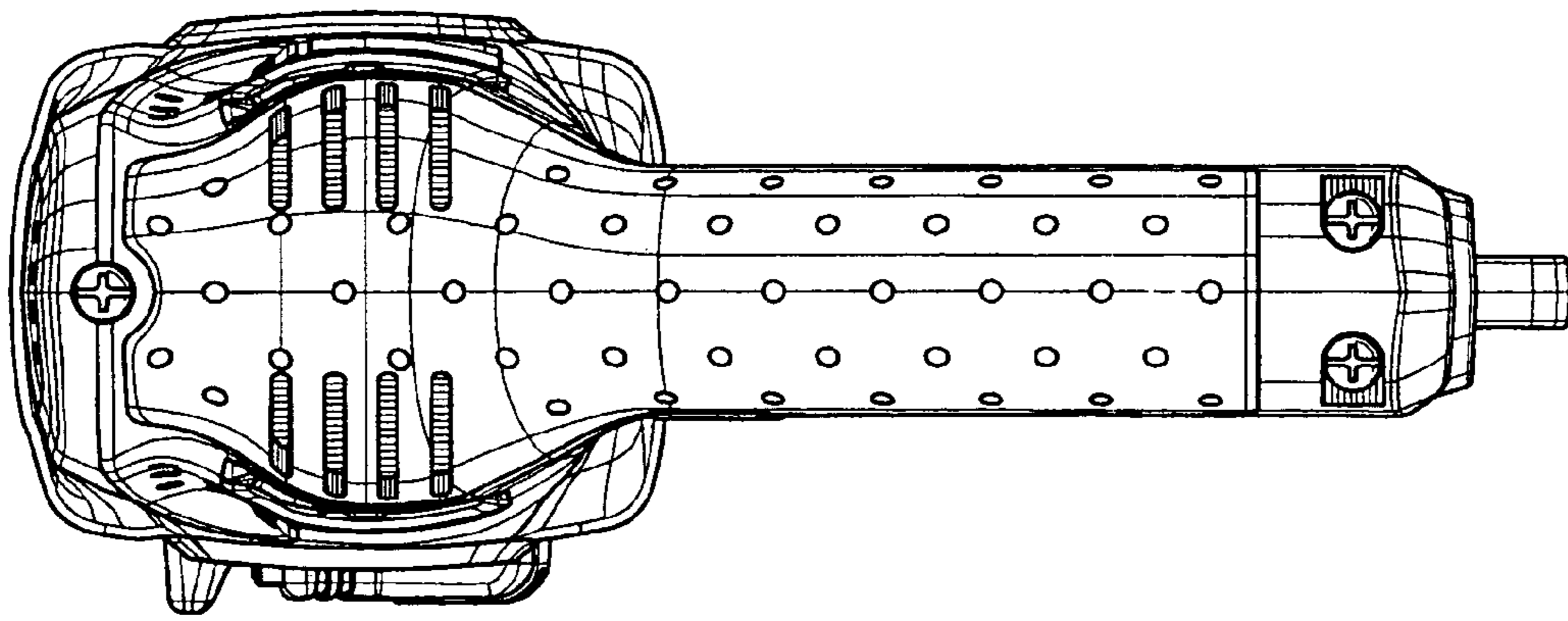


FIG. 5

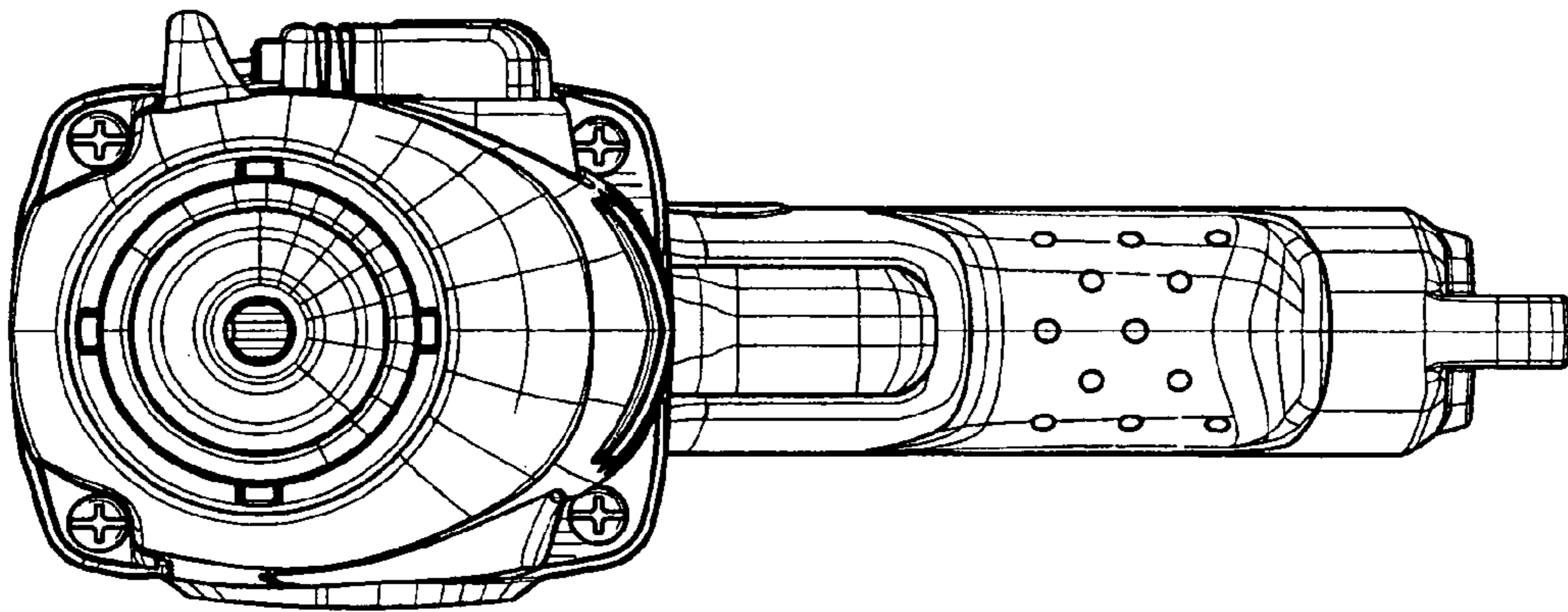


FIG. 4

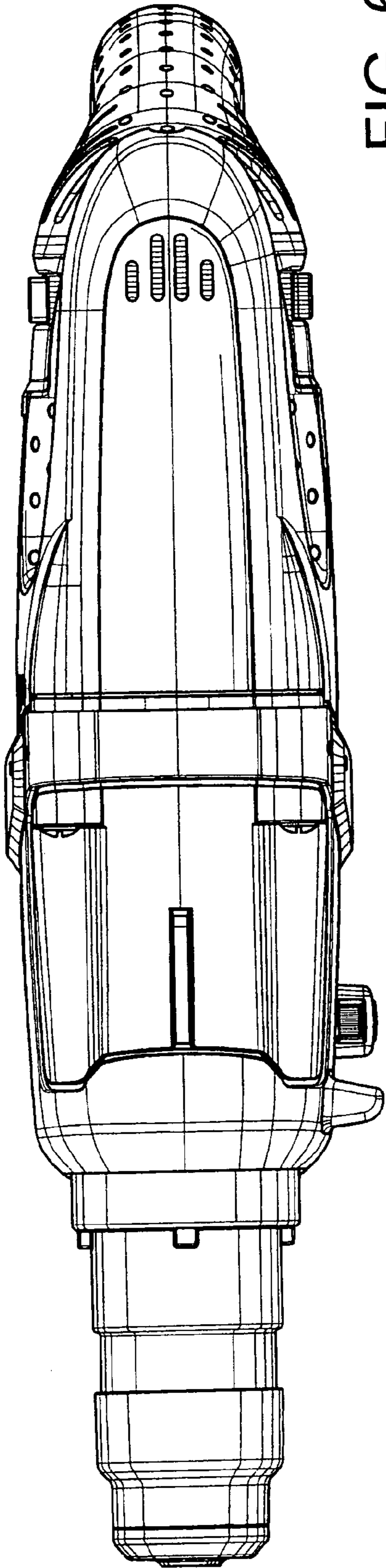


FIG. 6

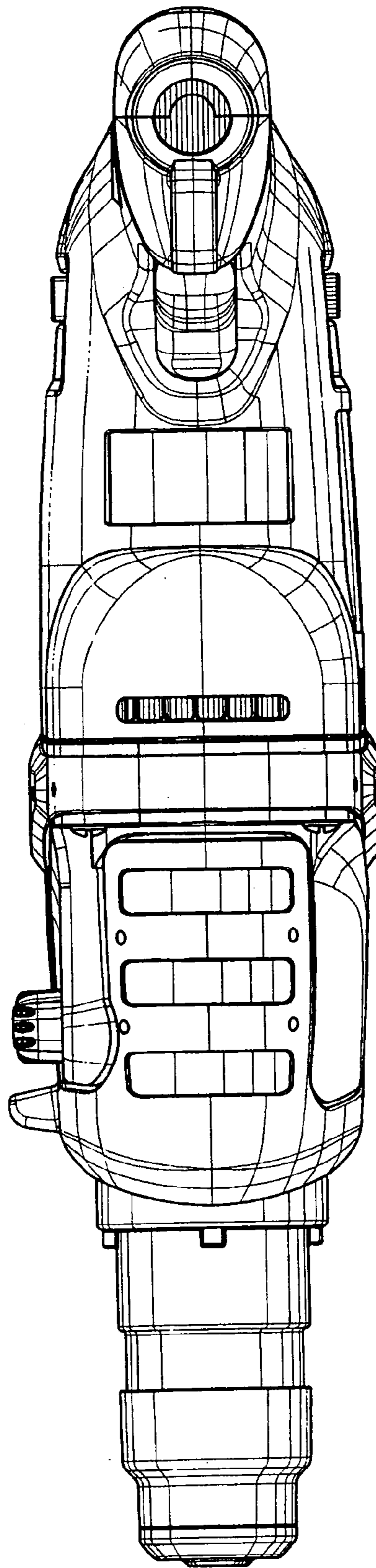


FIG. 7