



US00D567613S

(12) **United States Design Patent**
Steinfels

(10) **Patent No.:** **US D567,613 S**

(45) **Date of Patent:** **** Apr. 29, 2008**

(54) **ROUTER**

(75) Inventor: **Craig R. Steinfels**, Jackson, TN (US)

(73) Assignee: **Black & Decker Inc.**, Newark, DE (US)

(**) Term: **14 Years**

(21) Appl. No.: **29/288,463**

(22) Filed: **Jun. 12, 2007**

(51) **LOC (8) Cl.** **08-01**

(52) **U.S. Cl.** **D8/67**

(58) **Field of Classification Search** D8/61,
D8/67, 70, 107; 409/182, 180, 134, 132,
409/131; 144/48.6, 252.1, 154.5, 136.95
See application file for complete search history.

(56) **References Cited**

U.S. PATENT DOCUMENTS

D364,790 S *	12/1995	Duennes	D8/61
5,829,931 A *	11/1998	Doumani	409/182
D437,757 S *	2/2001	Thomson et al.	D8/61
D470,375 S *	2/2003	Lopano	D8/61
D470,735 S *	2/2003	Heun	D8/61
D471,781 S *	3/2003	Heun	D8/61
D477,203 S *	7/2003	Heun	D8/61

D478,259 S *	8/2003	Heun	D8/61
D484,763 S *	1/2004	Sham et al.	D8/64
D495,226 S *	8/2004	Grant et al.	D8/61
6,886,643 B2 *	5/2005	Riley et al.	173/29
D527,964 S *	9/2006	Riley et al.	D8/61
D538,614 S *	3/2007	Aglassinger	D8/61

* cited by examiner

Primary Examiner—Cathron C. Brooks

Assistant Examiner—Austin Murphy

(74) *Attorney, Agent, or Firm*—Scott B. Markow

(57) **CLAIM**

The ornamental design for a router, as shown and described.

DESCRIPTION

FIG. 1 is a perspective view of the router.

FIG. 2 is a left side view thereof.

FIG. 3 is a right side view thereof.

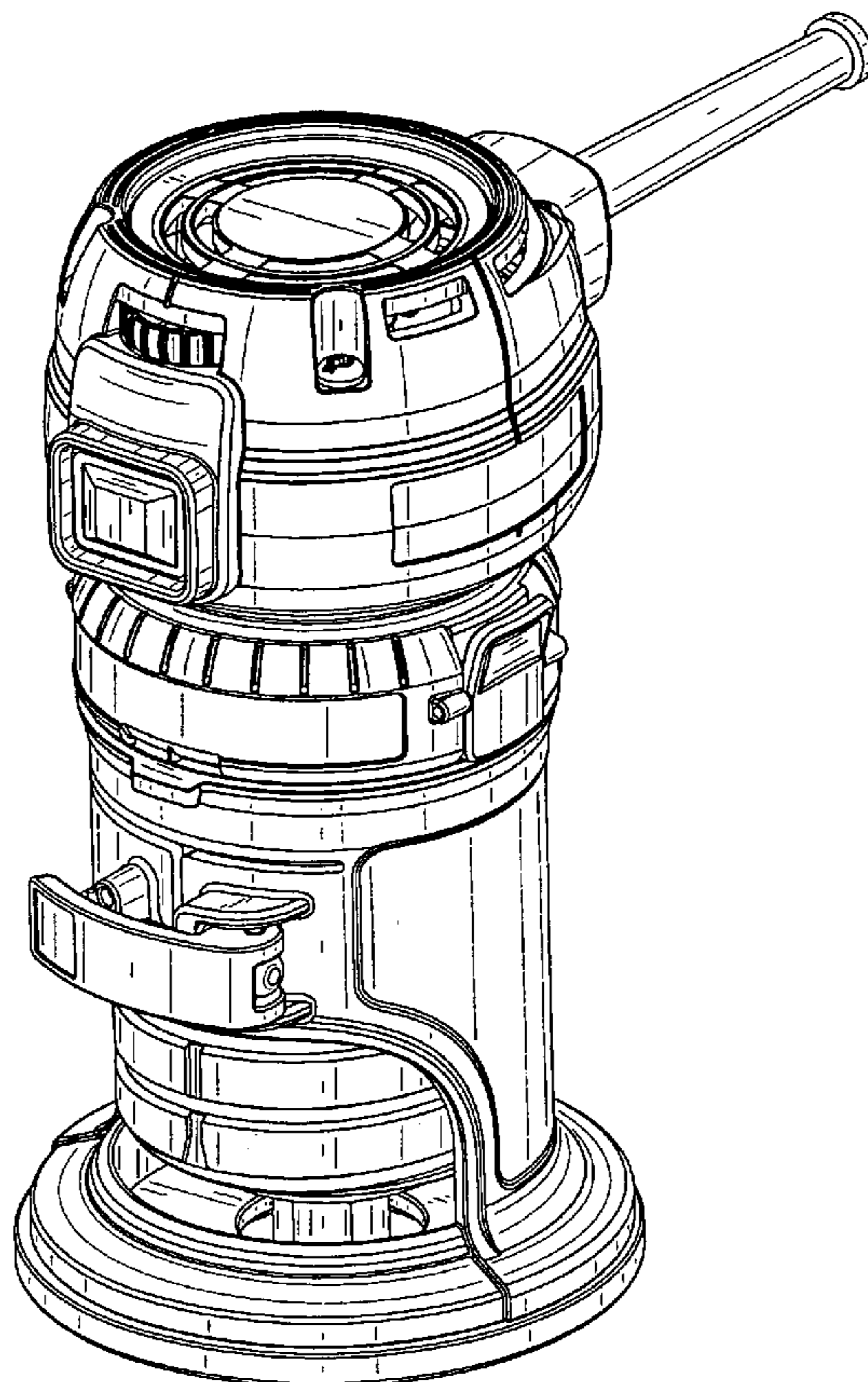
FIG. 4 is a front view thereof.

FIG. 5 is a back view thereof.

FIG. 6 is a top view thereof; and,

FIG. 7 is a bottom view thereof.

1 Claim, 7 Drawing Sheets



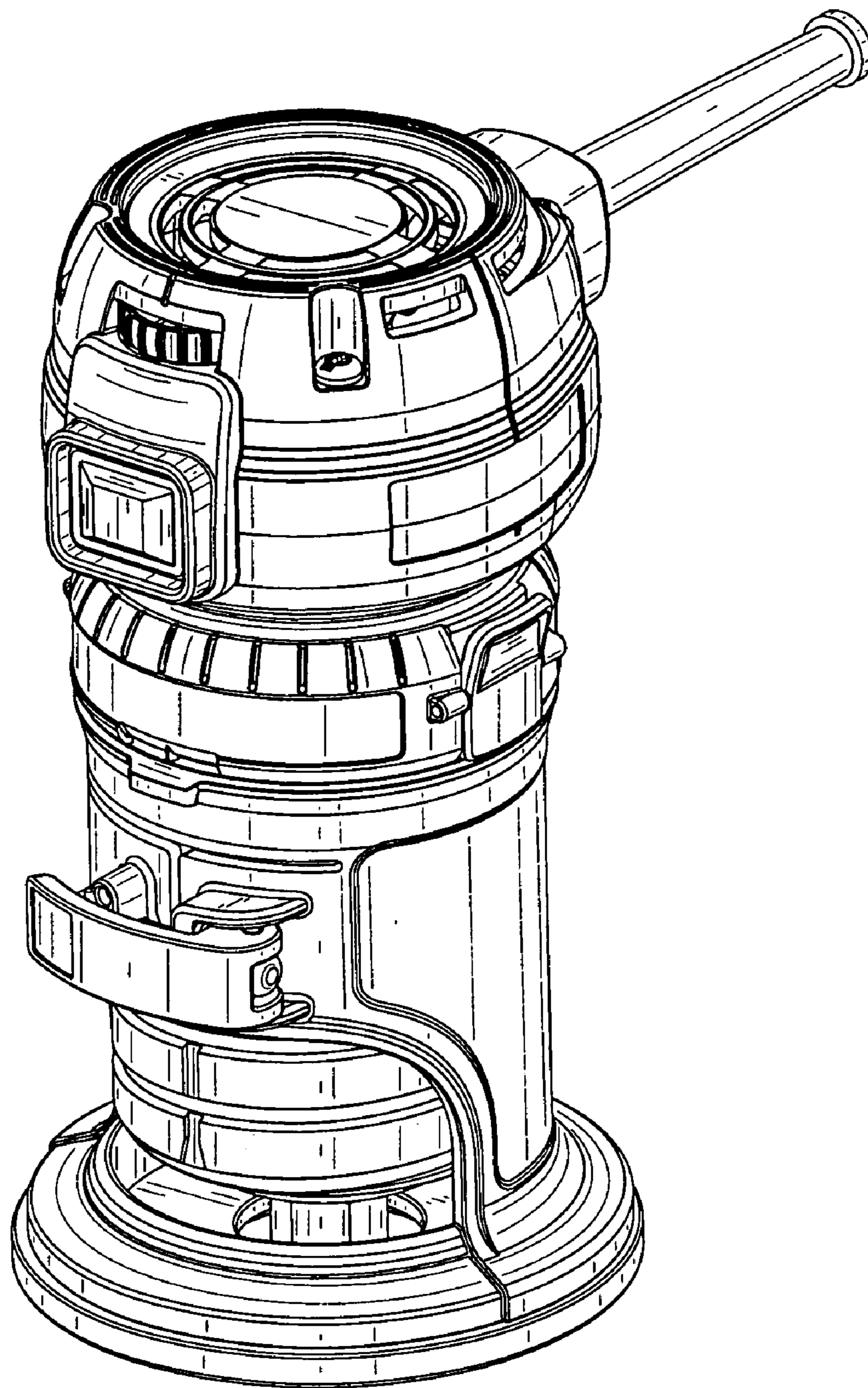


FIG. 1

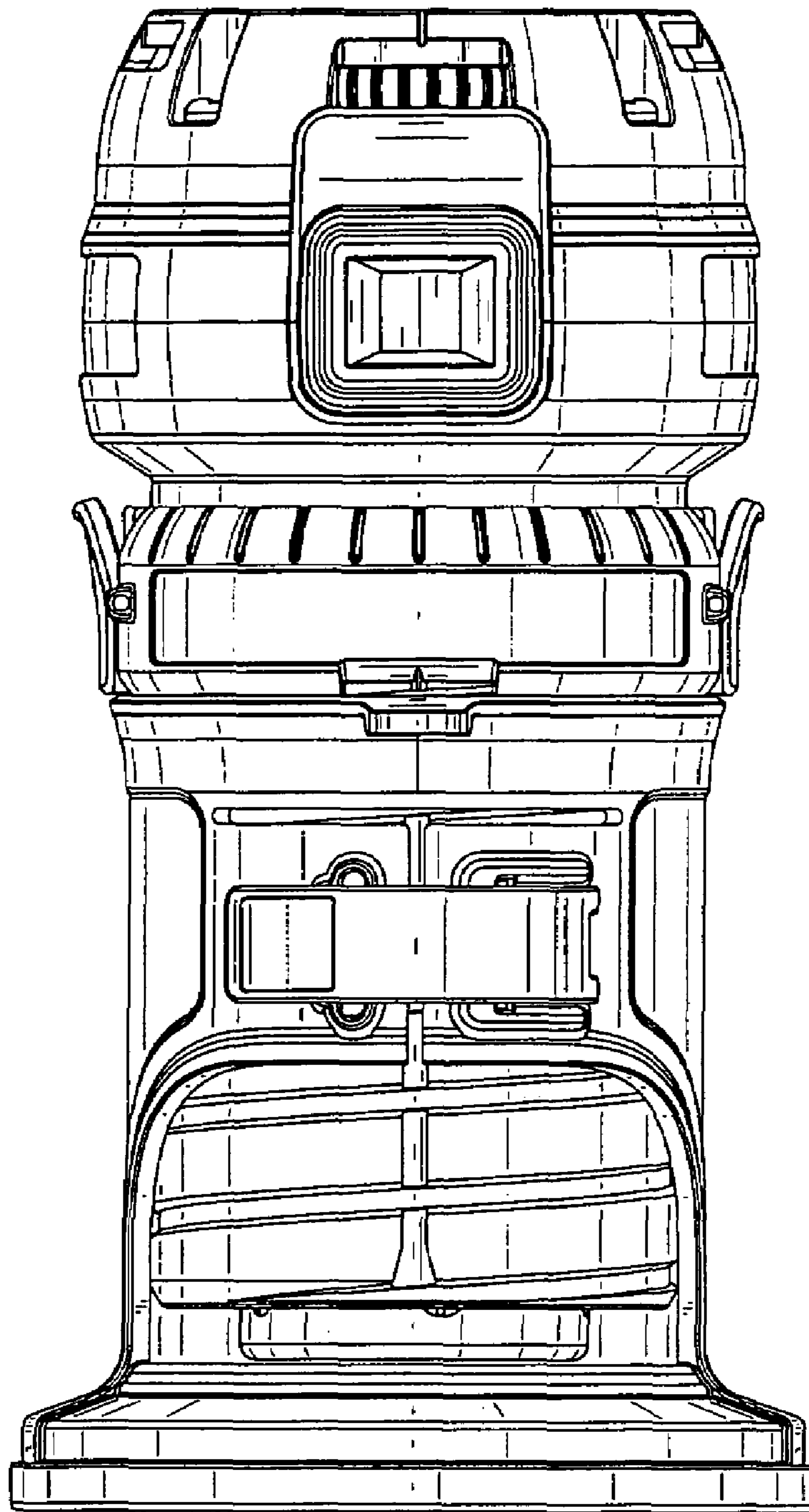


FIG. 2

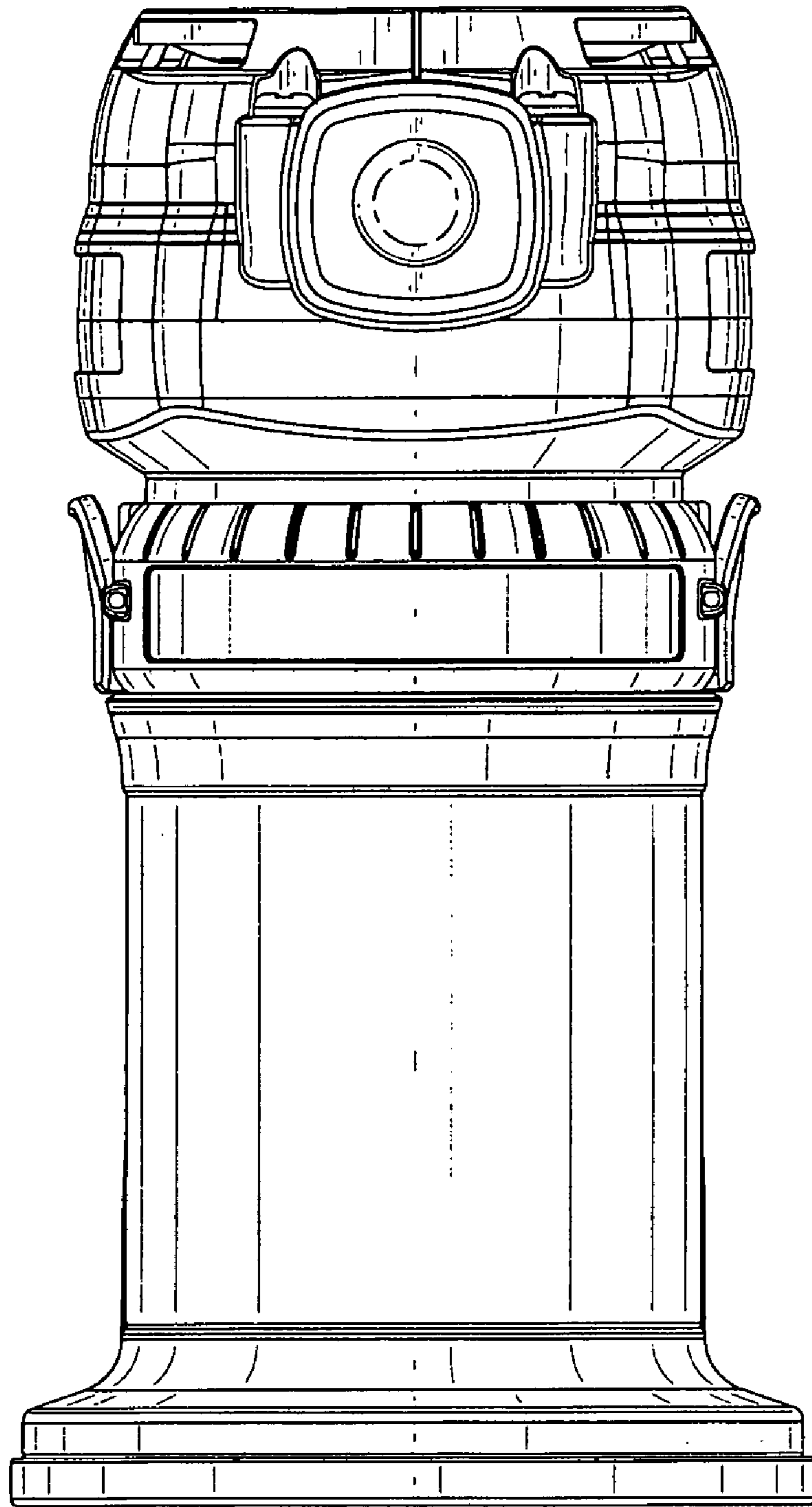


FIG. 3

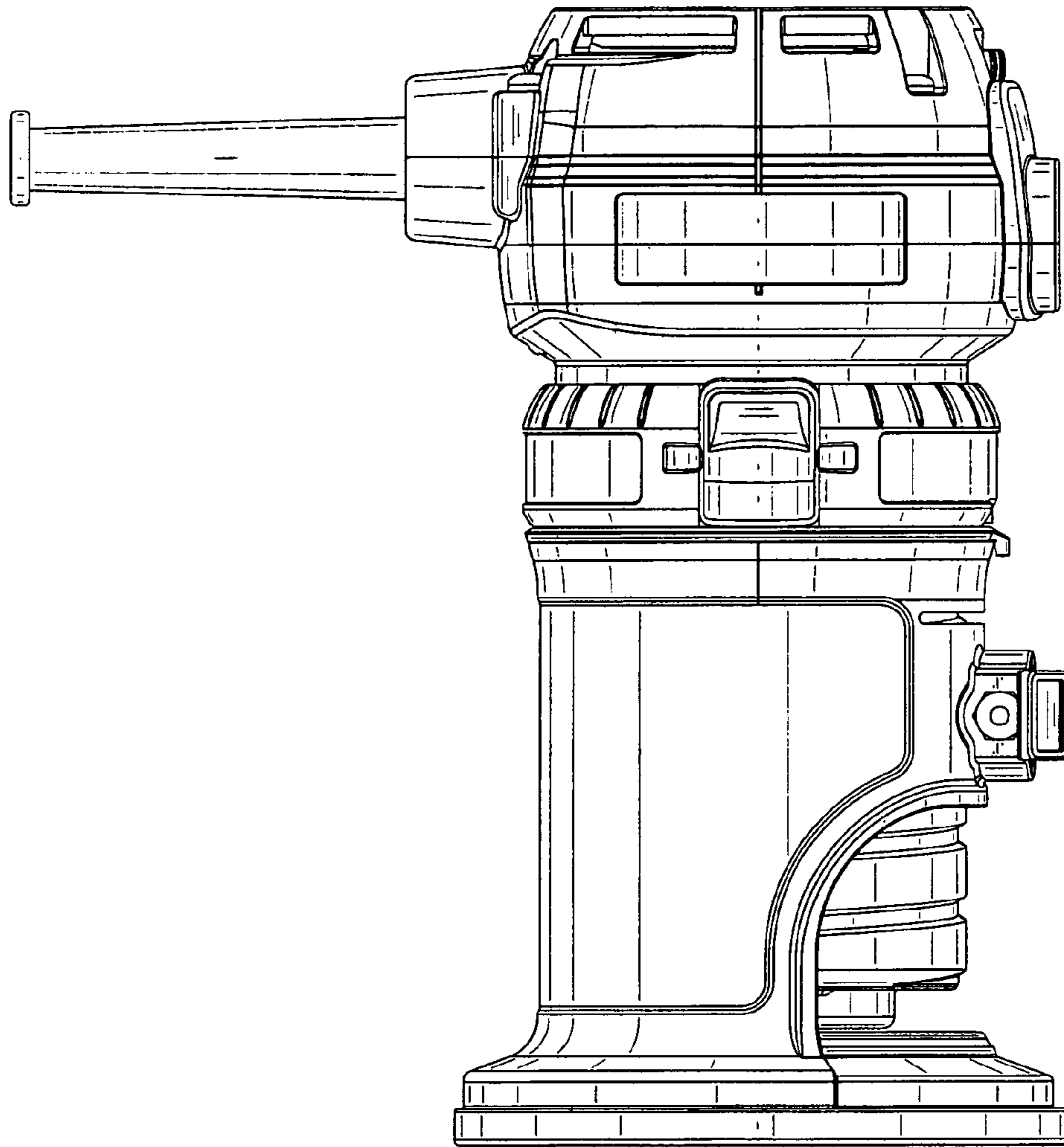


FIG. 4

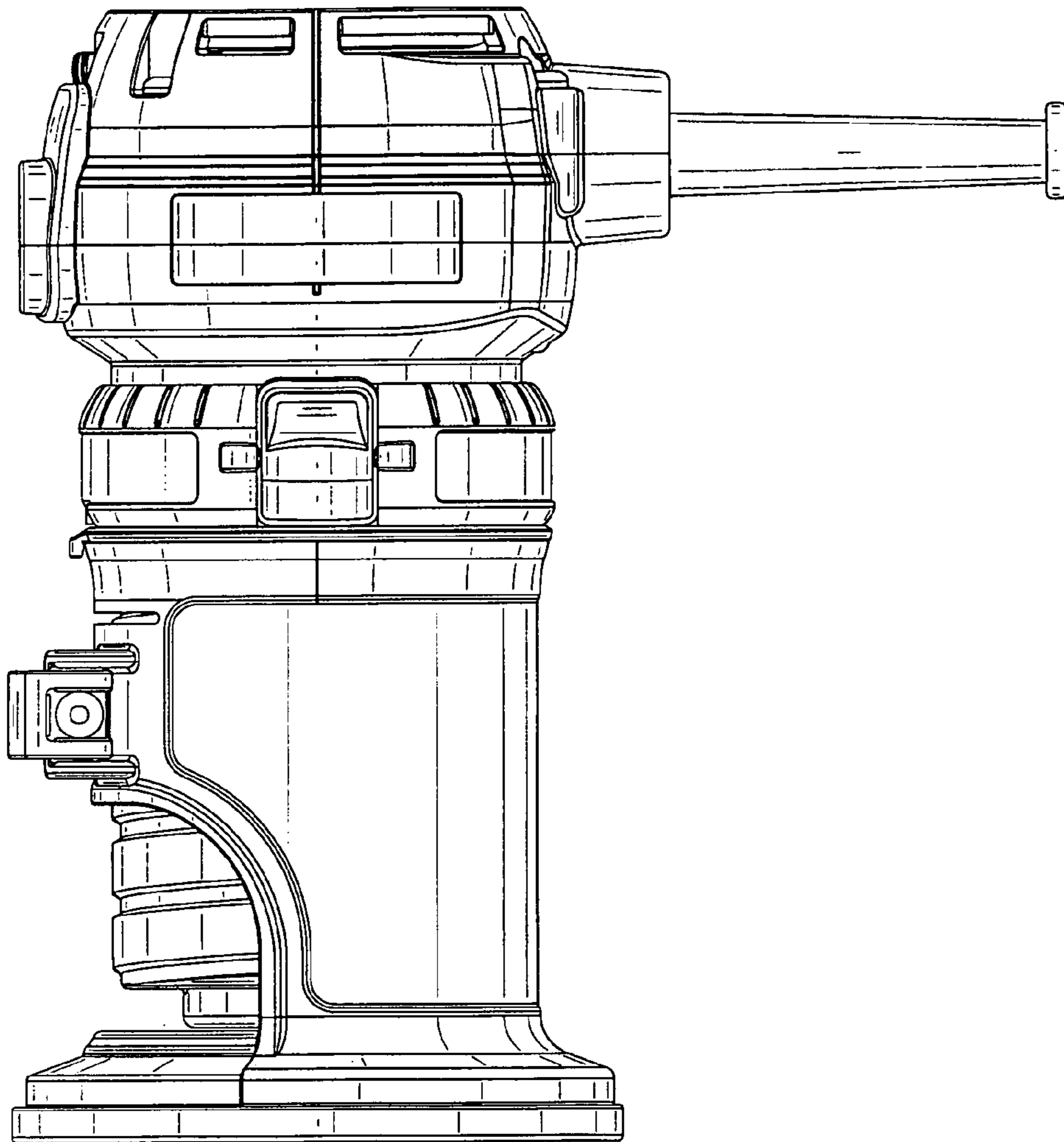


FIG. 5

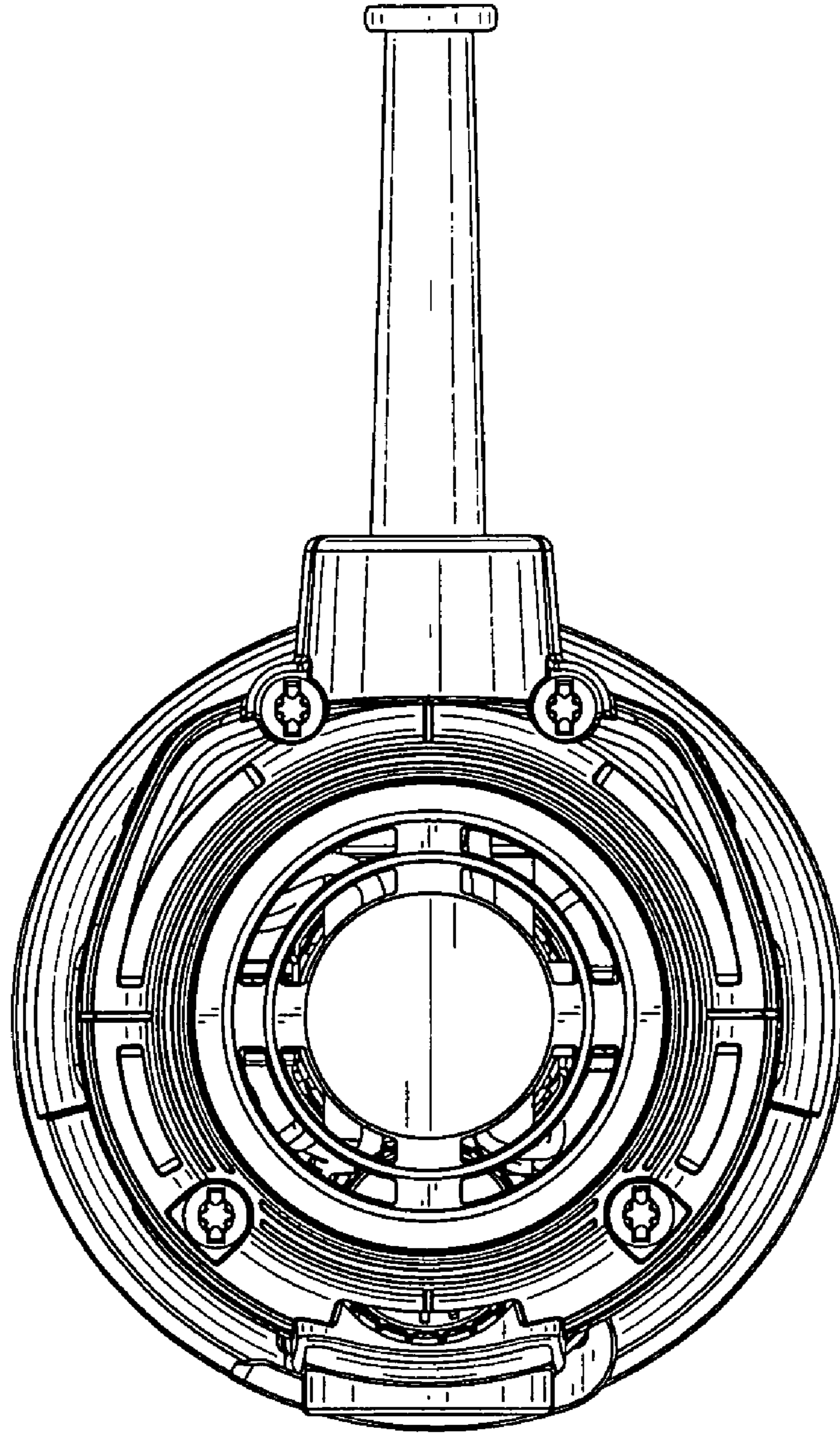


FIG. 6

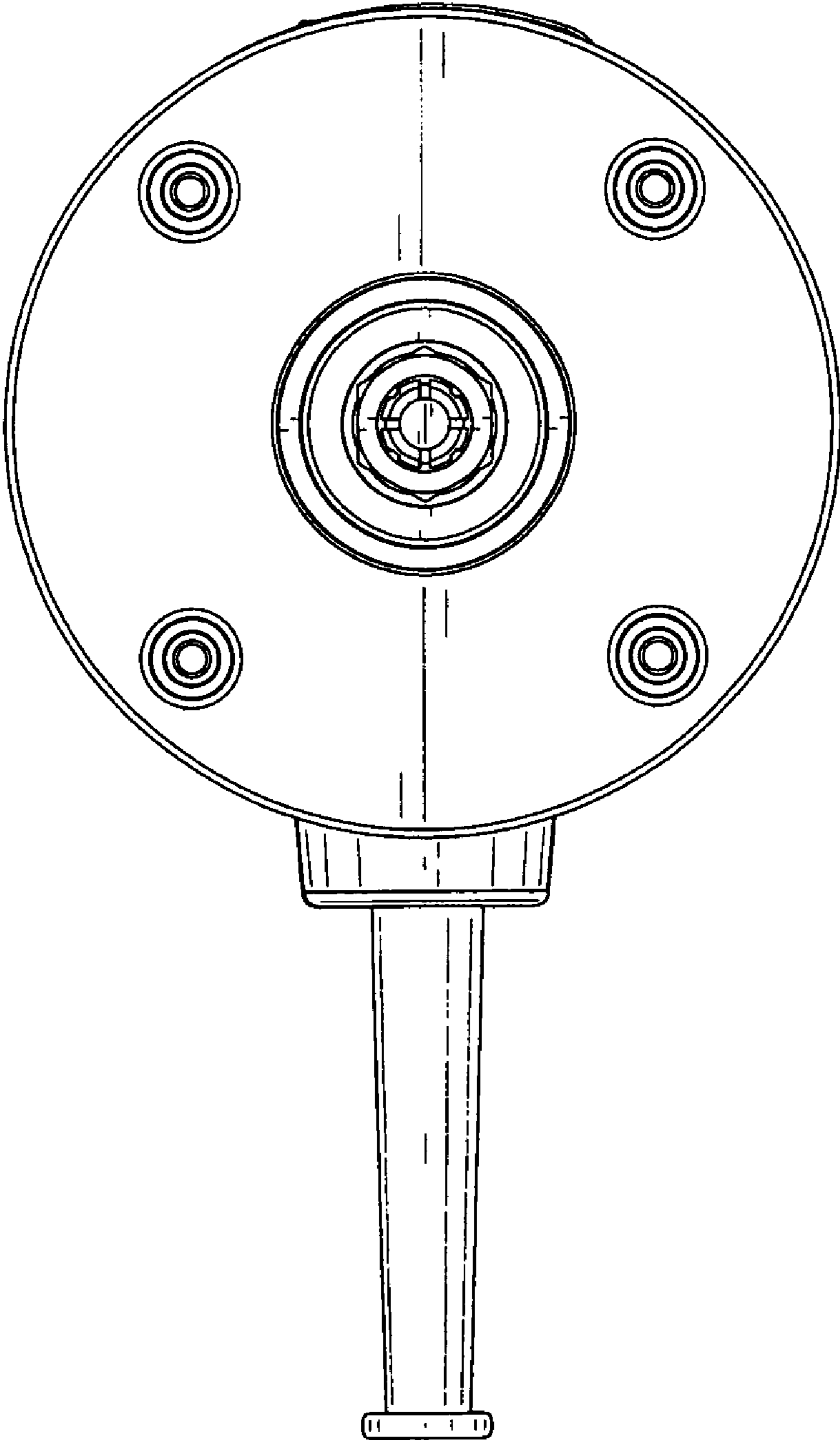


FIG. 7