



US00D567610S

(12) **United States Design Patent**
Wright

(10) **Patent No.:** **US D567,610 S**
(45) **Date of Patent:** **** Apr. 29, 2008**

- (54) **ANGLE GRINDER**
- (75) Inventor: **Stuart J. Wright**, Timonium, MD (US)
- (73) Assignee: **Black & Decker**, Newark, DE (US)
- (**) Term: **14 Years**
- (21) Appl. No.: **29/270,997**
- (22) Filed: **Jan. 8, 2007**
- (51) **LOC (8) Cl.** **08-01**
- (52) **U.S. Cl.** **D8/62**
- (58) **Field of Classification Search** D8/69,
D8/67, 62, 61; 451/359, 358, 357, 356, 354,
451/353, 351, 344, 294; 173/168
See application file for complete search history.

DE	9707886.7	8/1997
DE	49902551.2	3/1999
DE	49908004.1	3/1999
DE	49910525.7	8/1999
DE	40000395.3	1/2000
DE	40005179.6	5/2000
DE	40105815.8	12/2000
DE	40301818.8	9/2002
DE	40406137	10/2004
DE	40602600	5/2006
WO	DM/047995	2/1999
WO	DM/049836	11/1999
WO	DM/062266	9/2002

(56) **References Cited**

U.S. PATENT DOCUMENTS

D255,417 S *	6/1980	Sakamoto et al.	D8/62
D297,907 S *	10/1988	Hoshimo et al.	D8/62
D396,175 S *	7/1998	Chung	D8/62
D402,870 S *	12/1998	Etter et al.	D8/62
D434,296 S	11/2000	Ogasawara		
6,241,594 B1 *	6/2001	Lepold	451/359
D453,288 S *	2/2002	Lui	D8/62
6,527,630 B2 *	3/2003	Mannsperger et al.	451/344
D475,263 S	6/2003	Andriolo		
D479,679 S *	9/2003	Wright	D8/62
D491,033 S *	6/2004	Bian	D8/62
D494,827 S	8/2004	Liu		
D498,653 S	11/2004	Wu		
D511,285 S *	11/2005	Henssler et al.	D8/62
D521,833 S	5/2006	Okuda et al.		
D522,334 S	6/2006	Waldron		
D522,827 S	6/2006	Corcoran		
D524,129 S	7/2006	Waldron		
D538,615 S *	3/2007	Hastie	D8/62
D548,034 S *	8/2007	Hayakawa et al.	D8/62

FOREIGN PATENT DOCUMENTS

DE	9303865.8	11/1992
DE	9506846.5	3/1995
DE	9605582.0	6/1996
DE	9701855.4	9/1996

OTHER PUBLICATIONS

Oami-Online, <http://oami.europa.eu/RCDOnline/RequestManager?print=1>, Community Design Registration No. 000041165-0020; Publication Date Mar. 12, 2004, Nutool (Machinery Sales) Ltd.

(Continued)

Primary Examiner—Cathron C. Brooks
Assistant Examiner—Austin Murphy
(74) *Attorney, Agent, or Firm*—Mehul R. Jani; Adan Ayala; Charles Yocum

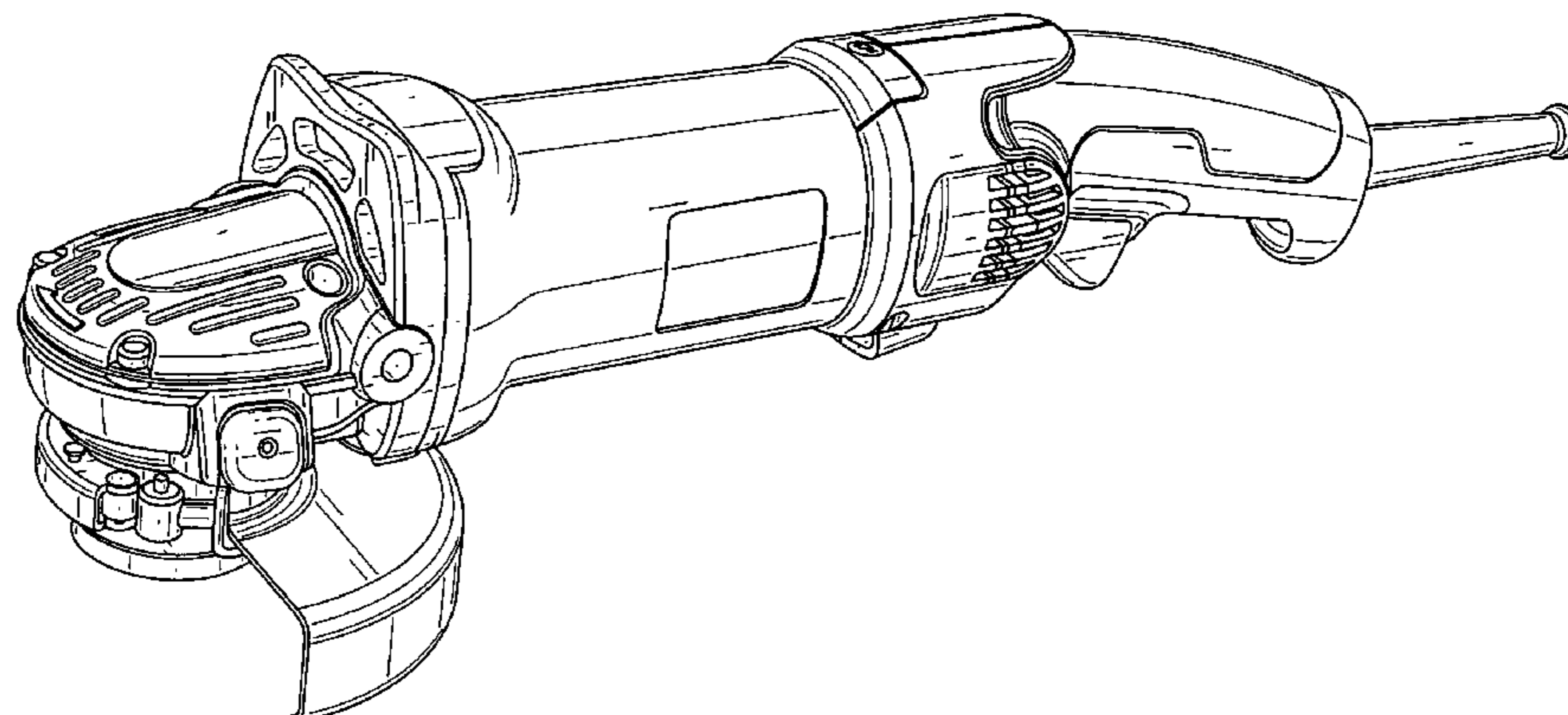
(57) **CLAIM**

The ornamental design for an angle grinder, as shown and described.

DESCRIPTION

FIG. 1 is a perspective view of an angle grinder showing the new design.
FIG. 2 is a front view thereof.
FIG. 3 is a rear view thereof.
FIG. 4 is a right side view thereof.
FIG. 5 is a left side view thereof.
FIG. 6 is a top view thereof; and,
FIG. 7 is a bottom view thereof.

1 Claim, 4 Drawing Sheets



OTHER PUBLICATIONS

- Oami-Online, <http://oami.europa.eu/RCDOnline/RequestManager?print=1>, Community Design Registration No. 000119011-0001, Publication Date Apr. 6, 2004, Lidl Stiftung & Co. KG.
- Oami-Online, <http://oami.europa.eu/RCDOnline/RequestManager?print=1>, Community Design Registration No. 000123260-0003, Publication Date Mar. 12, 2004, Hans Einhell AG.
- Oami-Online, <http://oami.europa.eu/RCDOnline/RequestManager?print=1>, Community Design Registration No. 000164389-0002, Publication Date Jul. 13, 2004, Hans Einhell AG.
- Oami-Online, <http://oami.europa.eu/RCDOnline/RequestManager?print=1>, Community Design Registration No. 000164389-0003, Publication Date Jul. 13, 2004, Hans Einhell AG.
- Oami-Online, <http://oami.europa.eu/RCDOnline/RequestManager?print=1>, Community Design Registration No. 000188792-0013, Publication Date May. 3, 2005, Matrix GmbH.
- Oami-Online, <http://oami.europa.eu/RCDOnline/RequestManager?print=1>, Community Design Registration No. 000251053-0001, Publication Date Feb. 8, 2005, Chevron International Trading Co., Ltd.
- Oami-Online, <http://oami.europa.eu/RCDOnline/RequestManager?print=1>, Community Design Registration No. 000398151-0008, Publication Date Nov. 29, 2005, VARO Naamloze Venootschap.
- Oami-Online, <http://oami.europa.eu/RCDOnline/RequestManager?print=1>, Community Design Registration No. 000398151-0009, Publication Date Nov. 29, 2005, VARO Naamloze Venootschap.
- Oami-Online, <http://oami.europa.eu/RCDOnline/RequestManager?print=1>, Community Design Registration No. 000445317-0002, Publication Date Jan. 31, 2006, GMCA PTY Ltd.
- Oami-Online, <http://oami.europa.eu/RCDOnline/RequestManager?print=1>, Community Design Registration No. 000449244-0001, Publication Date Feb. 7, 2006, GMCA PTY Ltd.
- Oami-Online, <http://oami.europa.eu/RCDOnline/RequestManager?print=1>, Community Design Registration No. 000490594-0001, Publication Date Apr. 18, 2006, Techtronic Industries Co. Ltd.
- Oami-Online, <http://oami.europa.eu/RCDOnline/RequestManager?print=1>, Community Design Registration No. 000491105-0001, Publication Date Apr. 18, 2006, Techtronic Industries Co. Ltd.
- Oami-Online, <http://oami.europa.eu/RCDOnline/RequestManager?print=1>, Community Design Registration No. 000491121-0001, Publication Date Apr. 18, 2006, Techtronic Industries Co. Ltd.
- Oami-Online, <http://oami.europa.eu/RCDOnline/RequestManager?print=1>, Community Design Registration No. 000519392-0004, Publication Date Jun. 20, 2006, Hans Einhell AG.
- Oami-Online, <http://oami.europa.eu/RCDOnline/RequestManager?print=1>, Community Design Registration No. 000627294-0001, Publication Date Dec. 16, 2006, Makita Corporation.

* cited by examiner

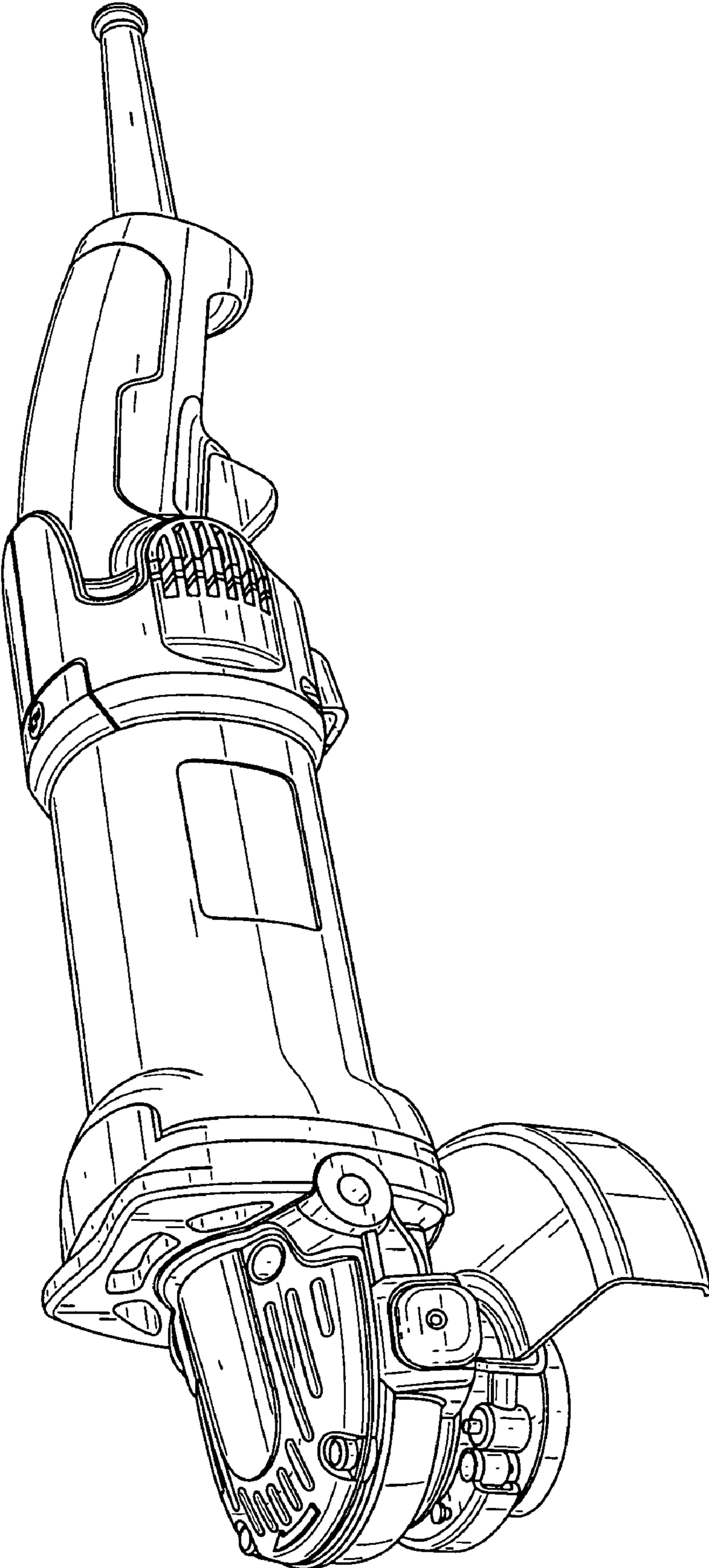


FIG. 1

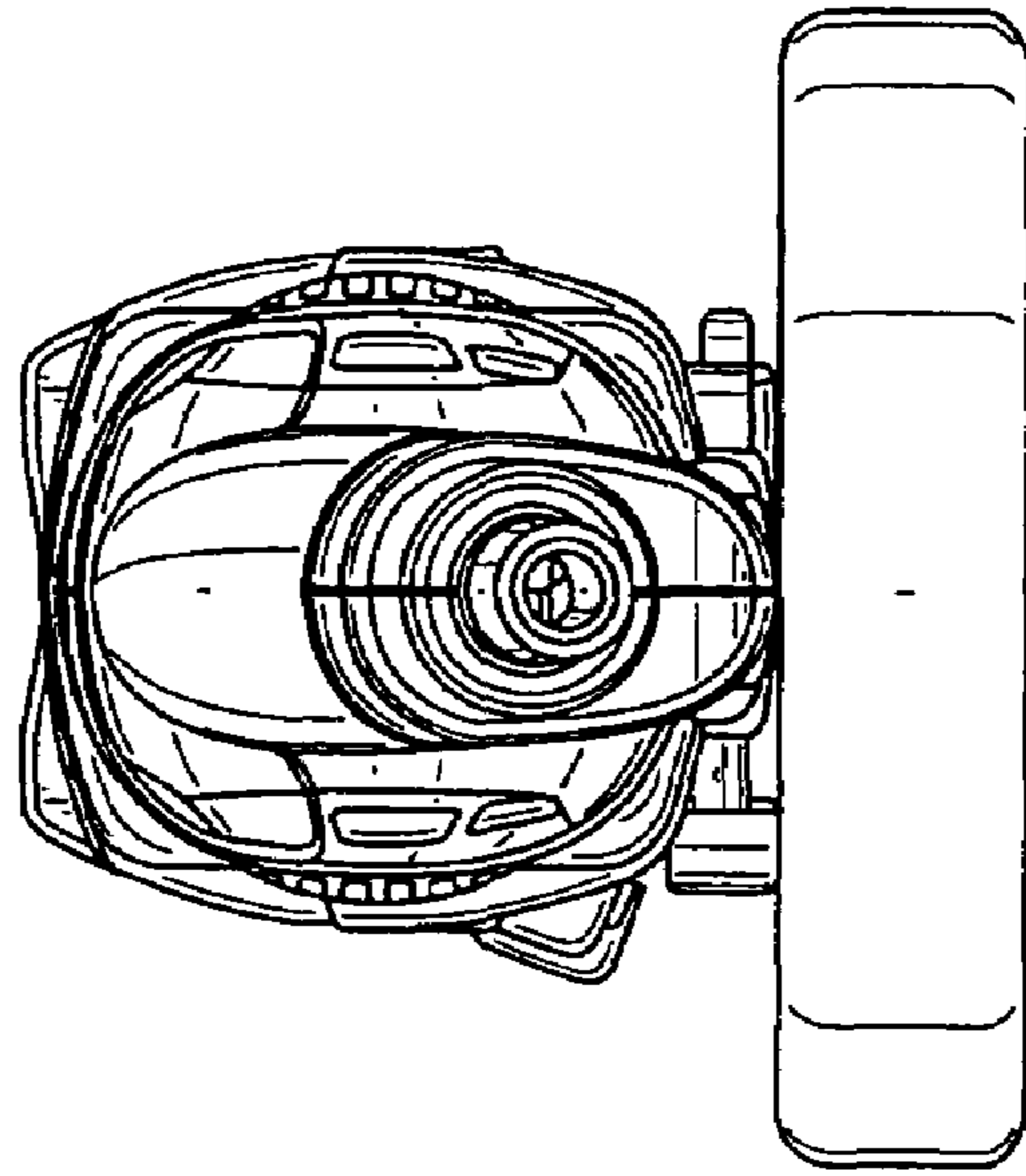


FIG. 3

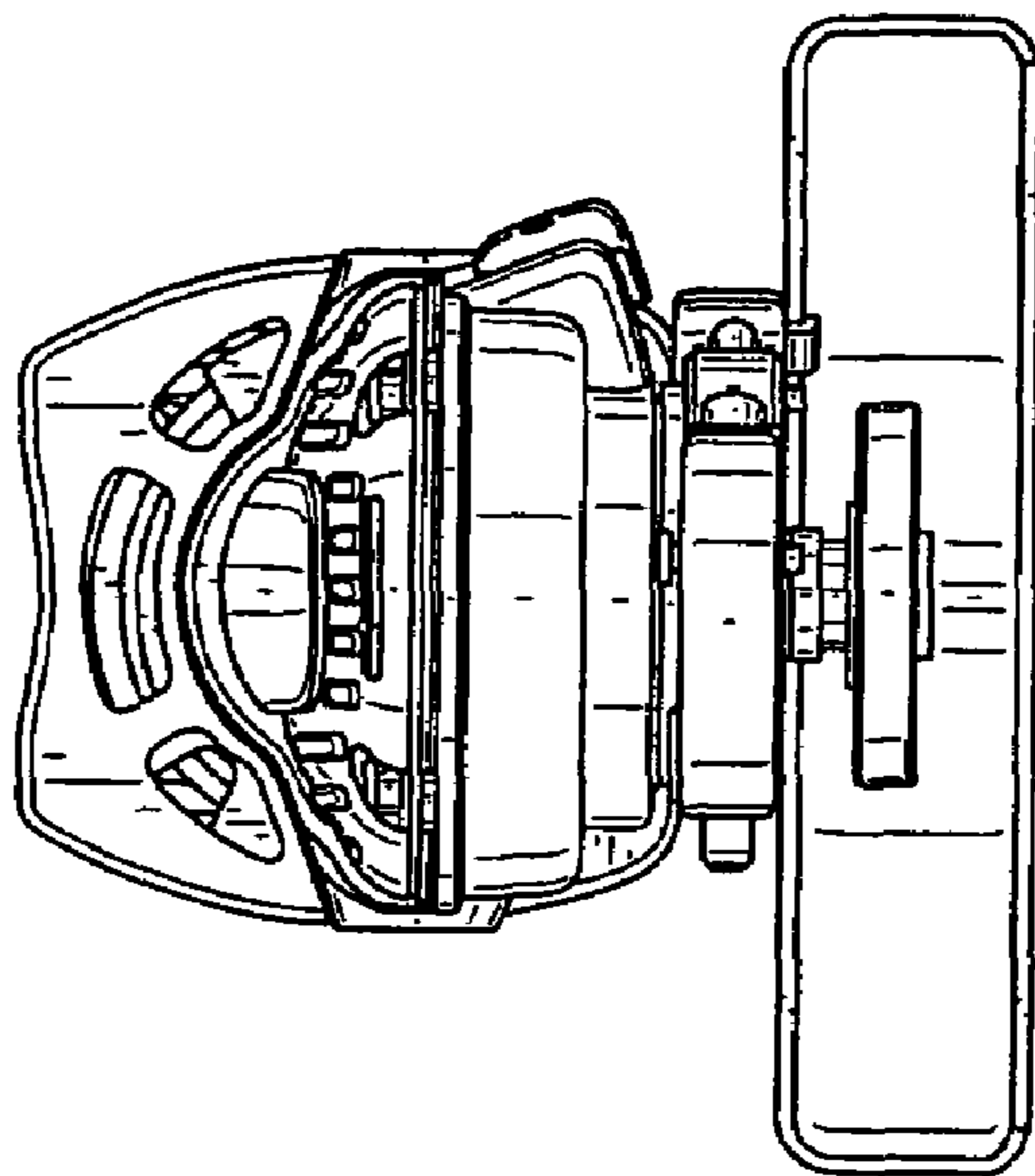


FIG. 2

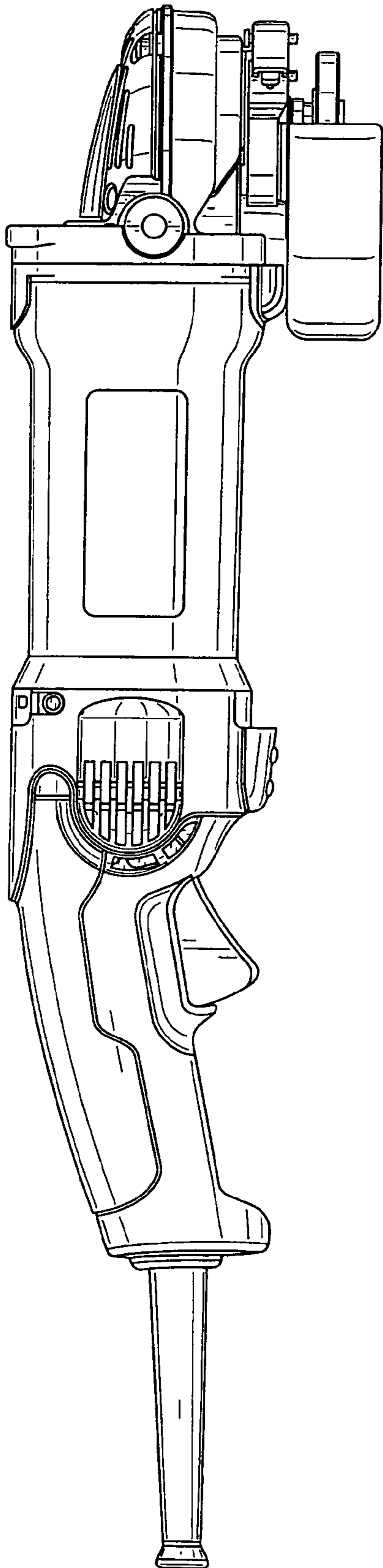


FIG. 4

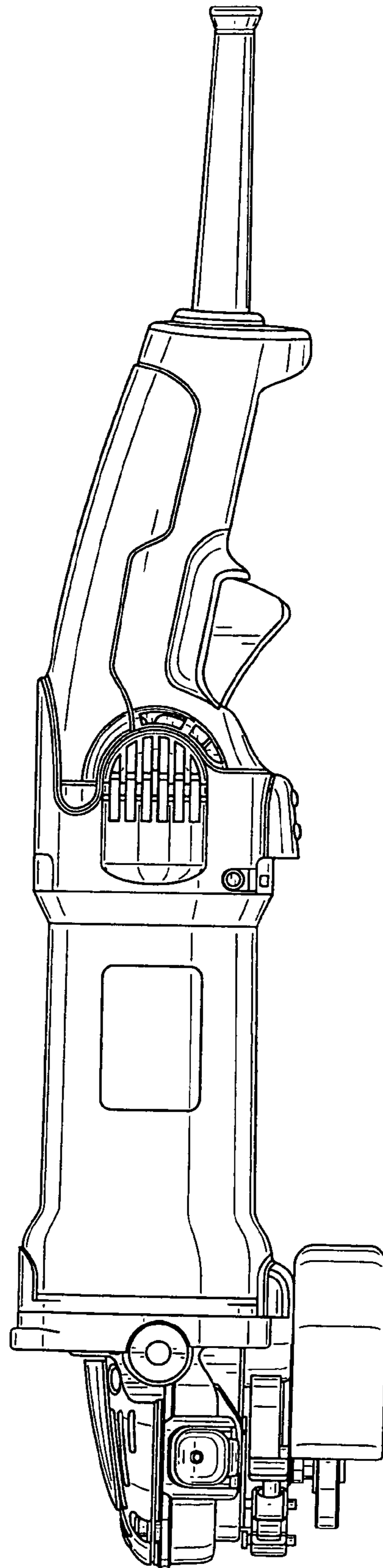


FIG. 5

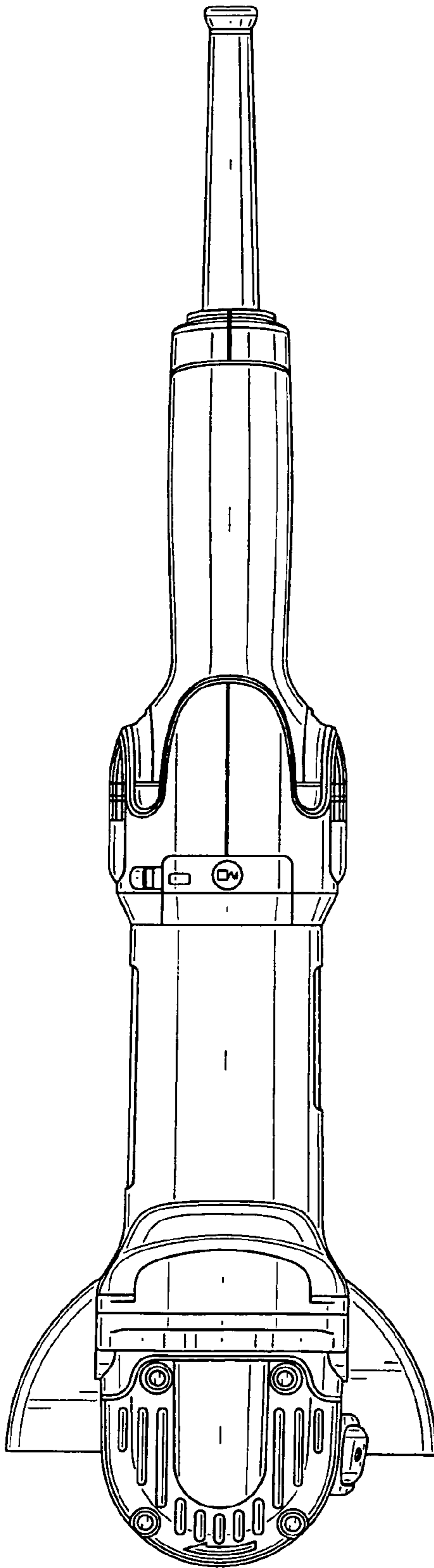


FIG. 6

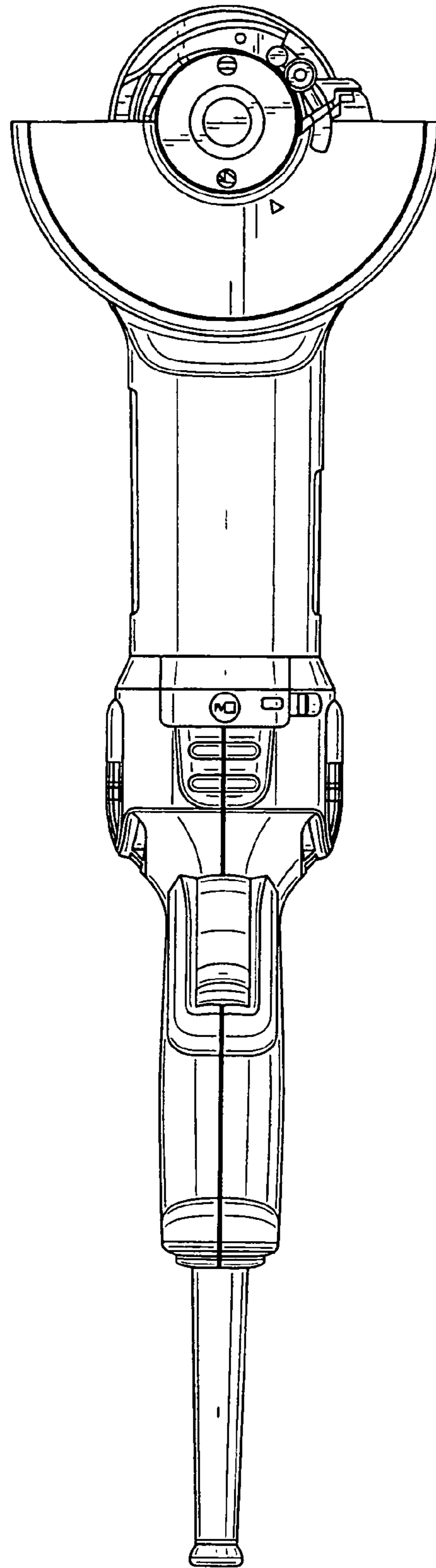


FIG. 7