



US00D567609S

(12) **United States Design Patent** (10) **Patent No.:** **US D567,609 S**
Sudmalis et al. (45) **Date of Patent:** **** Apr. 29, 2008**

(54) **STAPLER**

D514,904 S 2/2006 Sauter et al.
D515,893 S 2/2006 Adams et al.
D517,883 S * 3/2006 Tsai D8/50

(75) Inventors: **Roland Sudmalis**, Chicago, IL (US);
Balaji Kandasamy, Naperville, IL
(US); **Mark Harris**, McHenry, IL (US);
Tong Jin Kim, Evanston, IL (US);
Michael Reedy, Chicago, IL (US)

(Continued)

OTHER PUBLICATIONS

(73) Assignee: **ACCO Brands USA LLC**,
Lincolnshire, IL (US)

Acco Brands, Inc., Fact Book 2005, Feb. 1, 2005, pp. 106-112.
NOVUS website, http://www.novus-buero.de/Novus_B_7.101.0html?&L=1&print=1&no_cache=1, accessed Jul. 10, 2006, 2 pages.

(**) Term: **14 Years**

Primary Examiner—Cathron Brooks
Assistant Examiner—Austin Murphy
(74) *Attorney, Agent, or Firm*—Michael Best & Friedrich LLP

(21) Appl. No.: **29/248,152**

(22) Filed: **Jul. 31, 2006**

(51) **LOC (8) Cl.** **19-02**

(52) **U.S. Cl.** **D8/50**

(58) **Field of Classification Search** D8/49,
D8/50, 61, 68, 69; D19/72, 73, 65, 69; D21/532;
D24/145; 7/158, 160; 227/4, 5, 6, 7, 8,
227/120, 127, 128, 131, 132, 134, 144, 156,
227/175.1; 606/139, 143, 153, 219

See application file for complete search history.

(57) **CLAIM**

We claim the ornamental design for a stapler, as shown and described.

DESCRIPTION

(56) **References Cited**

U.S. PATENT DOCUMENTS

- D305,398 S 1/1990 Olesen
- D331,178 S 11/1992 Bain et al.
- D340,847 S 11/1993 Bain et al.
- D420,266 S 2/2000 Berry et al.
- D436,009 S * 1/2001 Chi Kuo D8/50
- D446,430 S * 8/2001 Arns D8/50
- D447,676 S 9/2001 Wilson et al.
- D470,025 S 2/2003 Joss et al.
- D479,678 S * 9/2003 Huang D8/50
- D502,369 S * 3/2005 Nakamura D8/50
- D502,850 S 3/2005 Sauter et al.
- D502,851 S 3/2005 Sauter et al.
- D503,877 S 4/2005 Adams et al.
- 6,918,525 B2 7/2005 Marks
- D511,283 S 11/2005 Sauter et al.
- D511,665 S 11/2005 Sauter et al.
- D512,617 S 12/2005 Adams et al.

FIG. 1 is a right-side perspective view, taken from the front, of a stapler embodying the present invention.

FIG. 2 is a left-side perspective view taken from the front of the stapler.

FIG. 3 is a right-side perspective view taken from the rear of the stapler.

FIG. 4 is a right side view of the stapler.

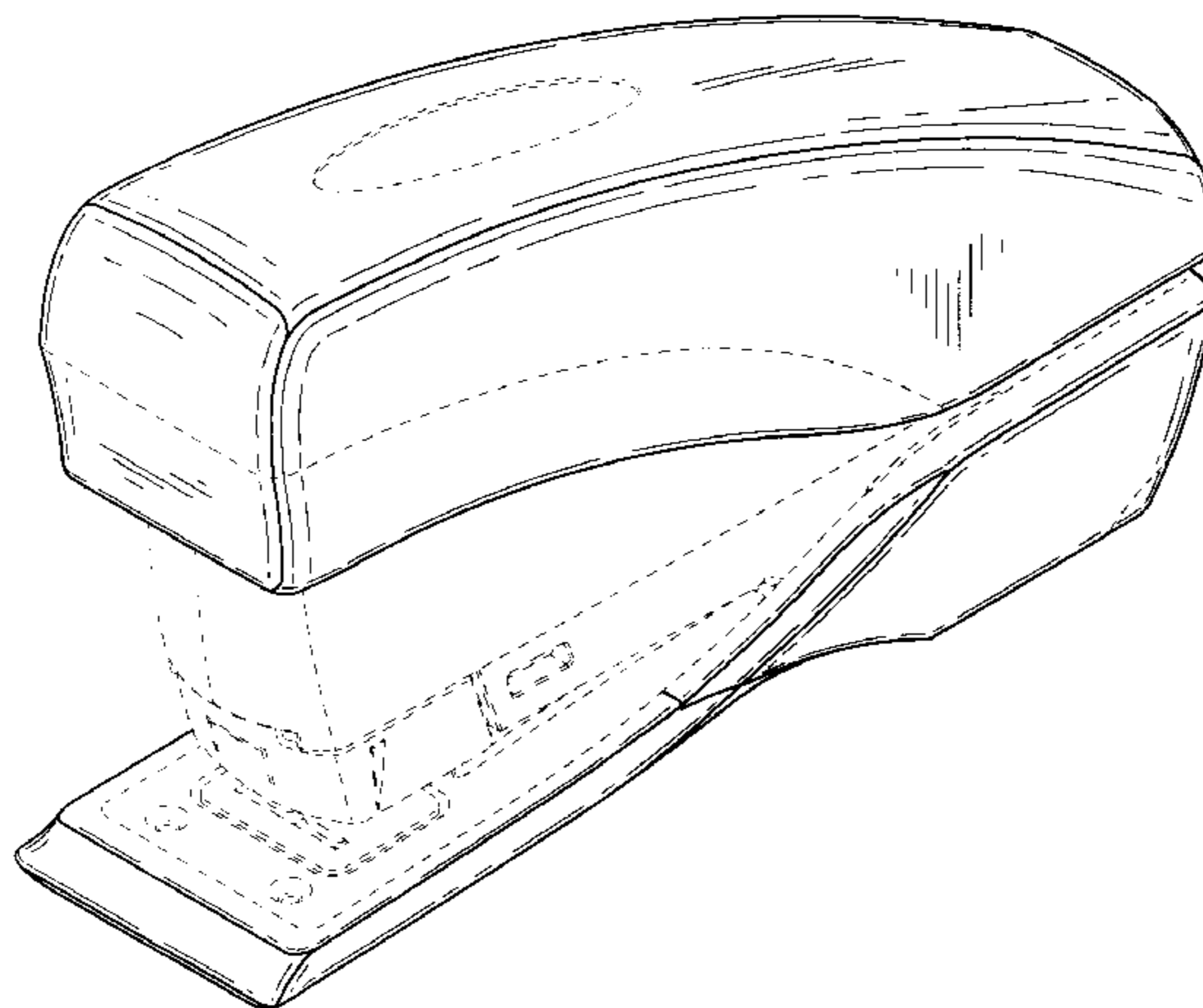
FIG. 5 is a rear view of the stapler.

FIG. 6 is a top view of the stapler; and,

FIG. 7 is a front view of the stapler.

The portions of the stapler shown in broken lines are for illustrative purposes only and form no part of the claimed design. The side view opposite FIG. 4 is a mirror image of FIG. 4 and is not shown.

1 Claim, 4 Drawing Sheets



US D567,609 S

Page 2

U.S. PATENT DOCUMENTS

D530,578 S	*	10/2006	Sauter et al.	D8/50	D557,092 S	*	12/2007	Harris et al.	D8/50
D530,999 S	*	10/2006	Kent et al.	D8/50	2005/0223498 A1*		10/2005	Kirby et al.	7/160
D531,470 S	*	11/2006	Kirby et al.	D8/50	2006/0016847 A1*		1/2006	Kirby et al.	227/134
D554,456 S	*	11/2007	Chang	D8/50	2006/0144895 A1*		7/2006	Kirby et al.	227/134

* cited by examiner

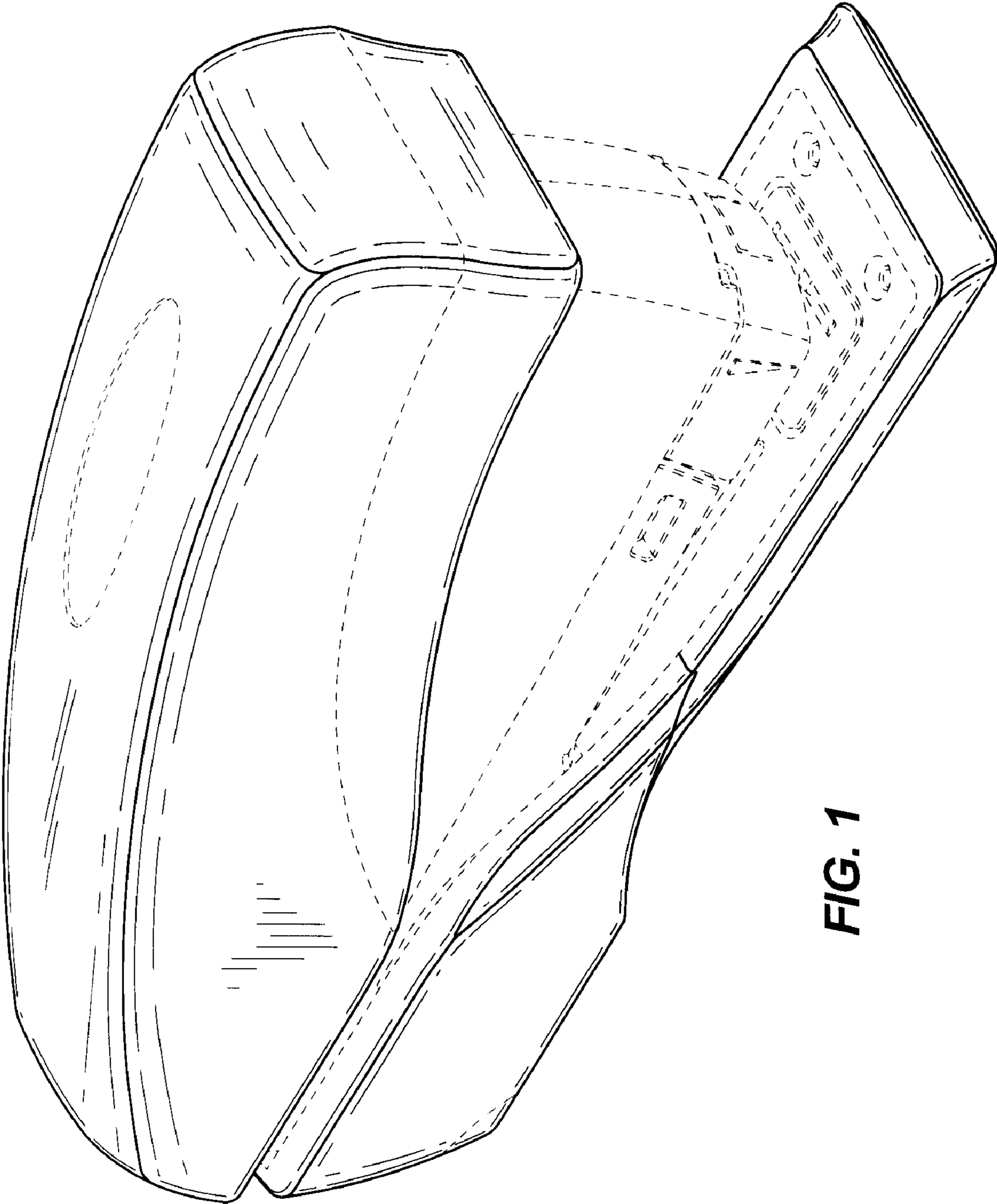


FIG. 1

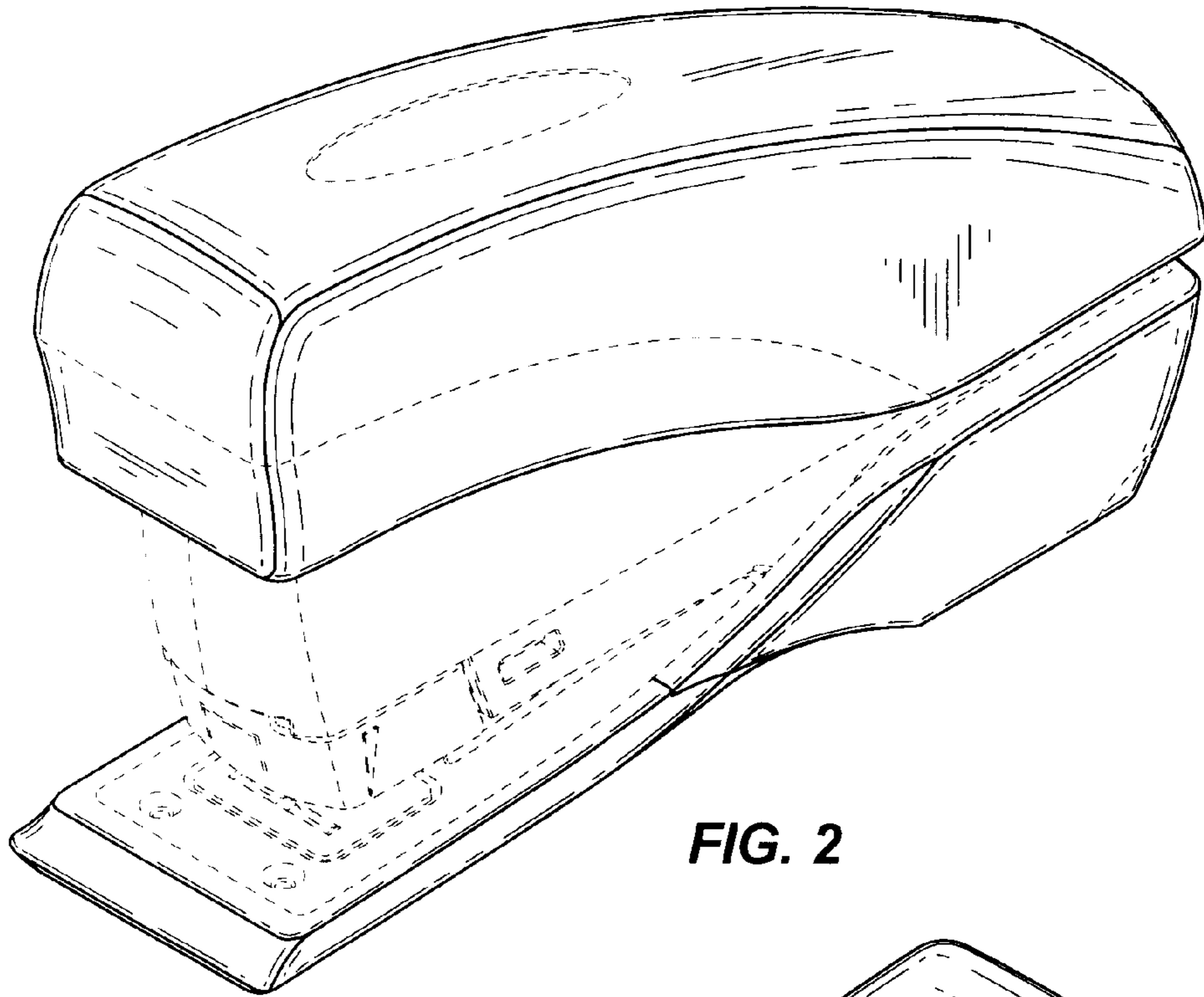


FIG. 2

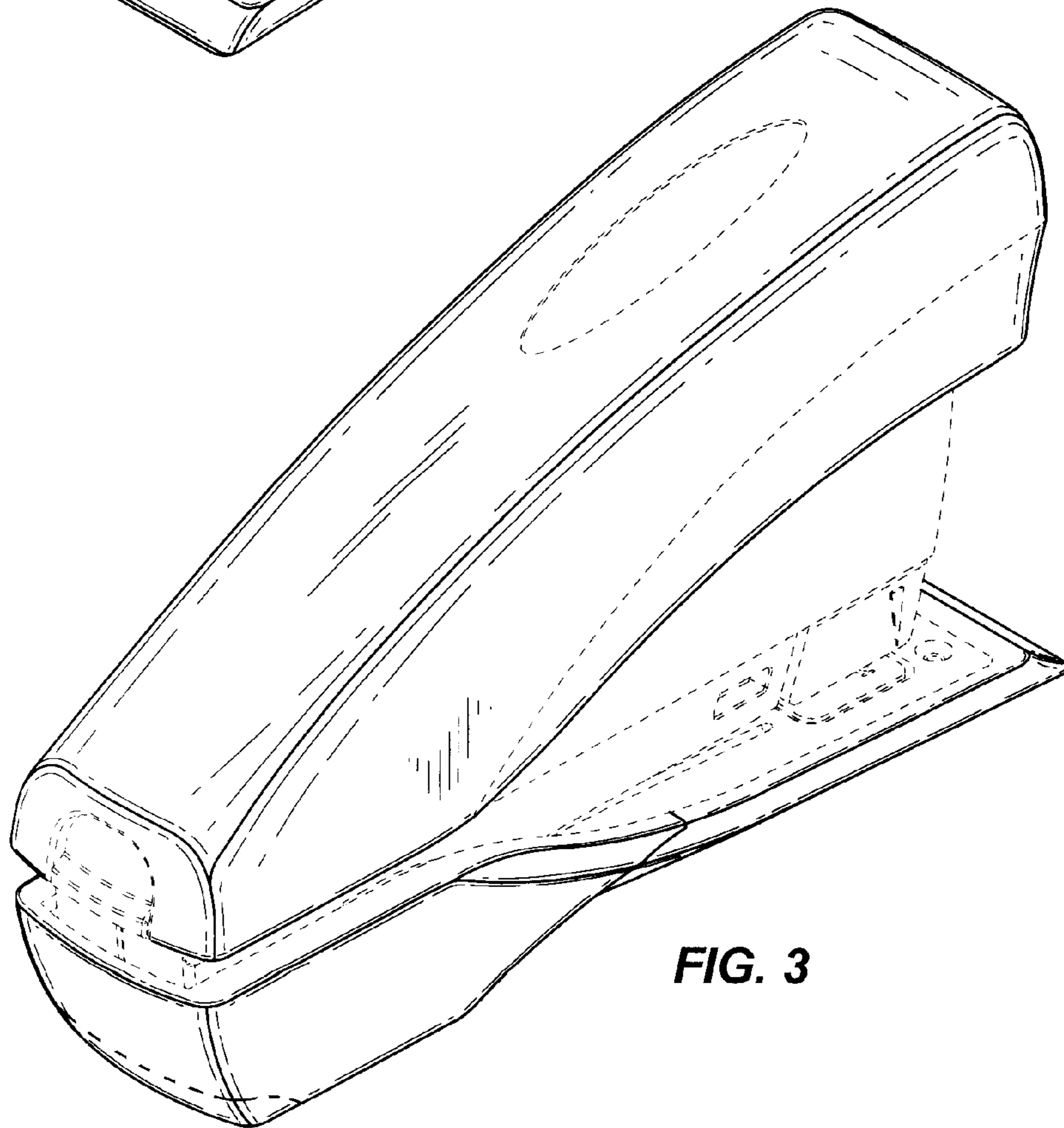


FIG. 3

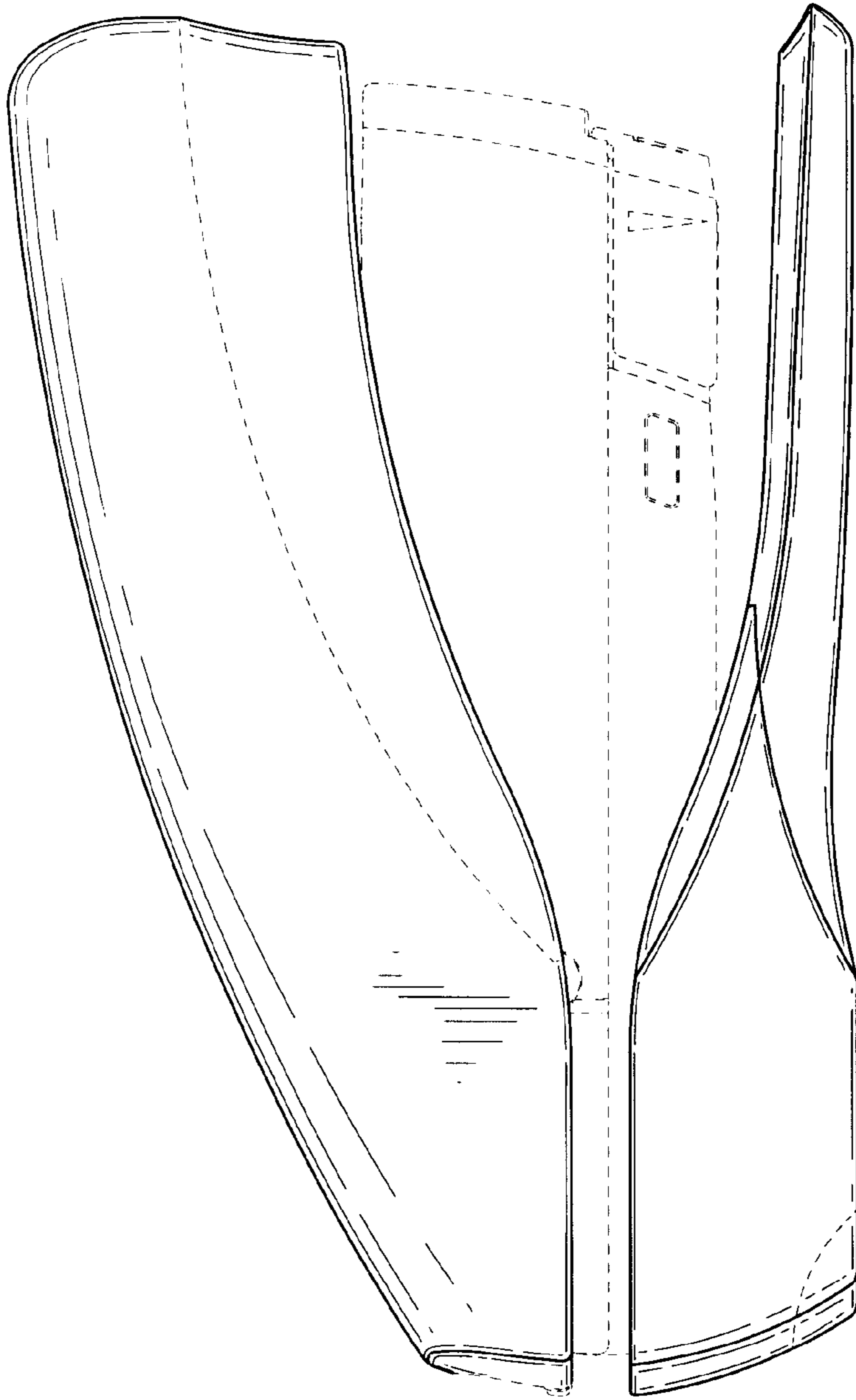


FIG. 4

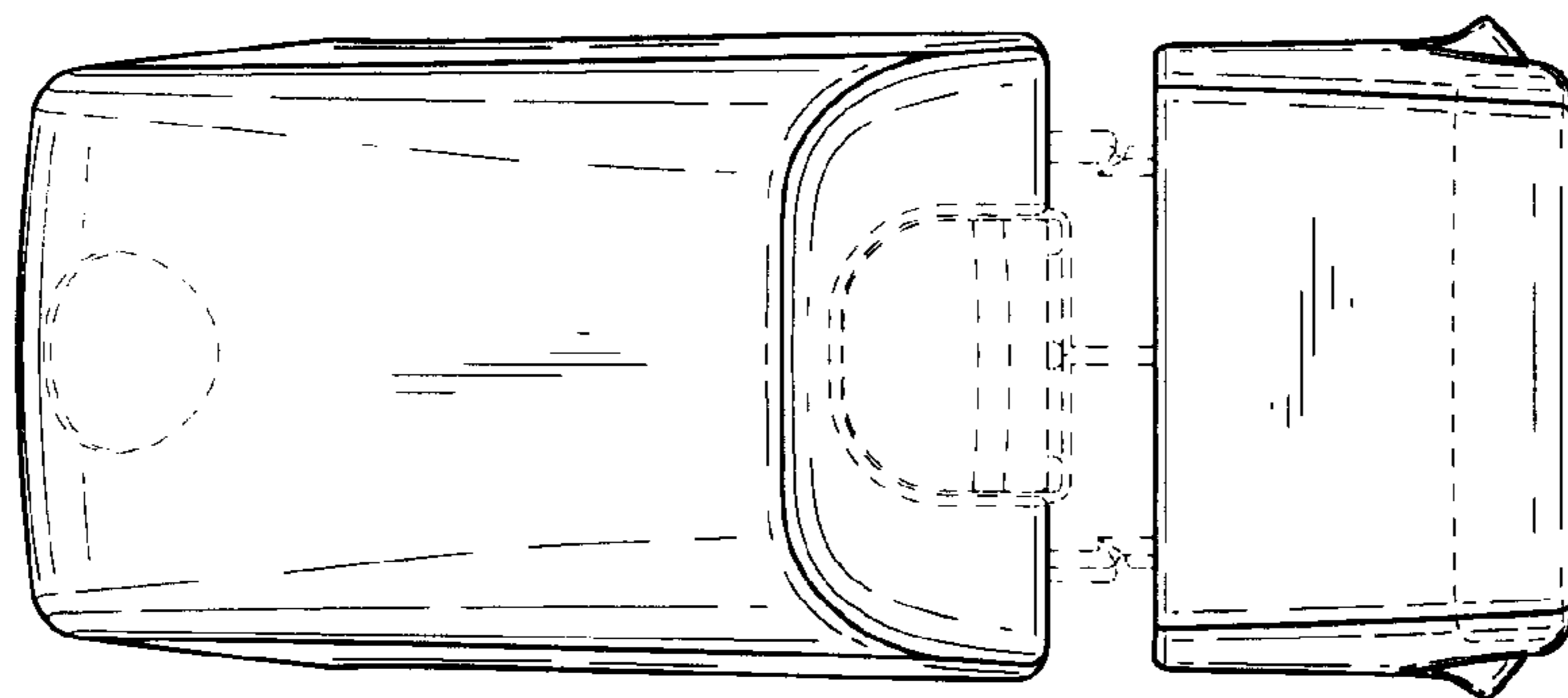


FIG. 5

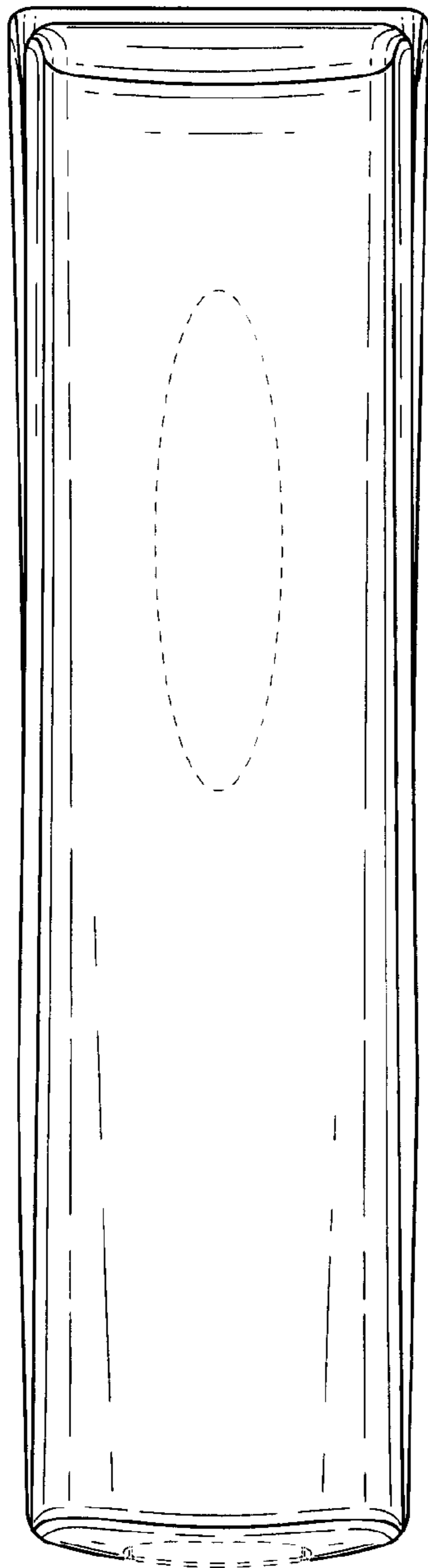


FIG. 6

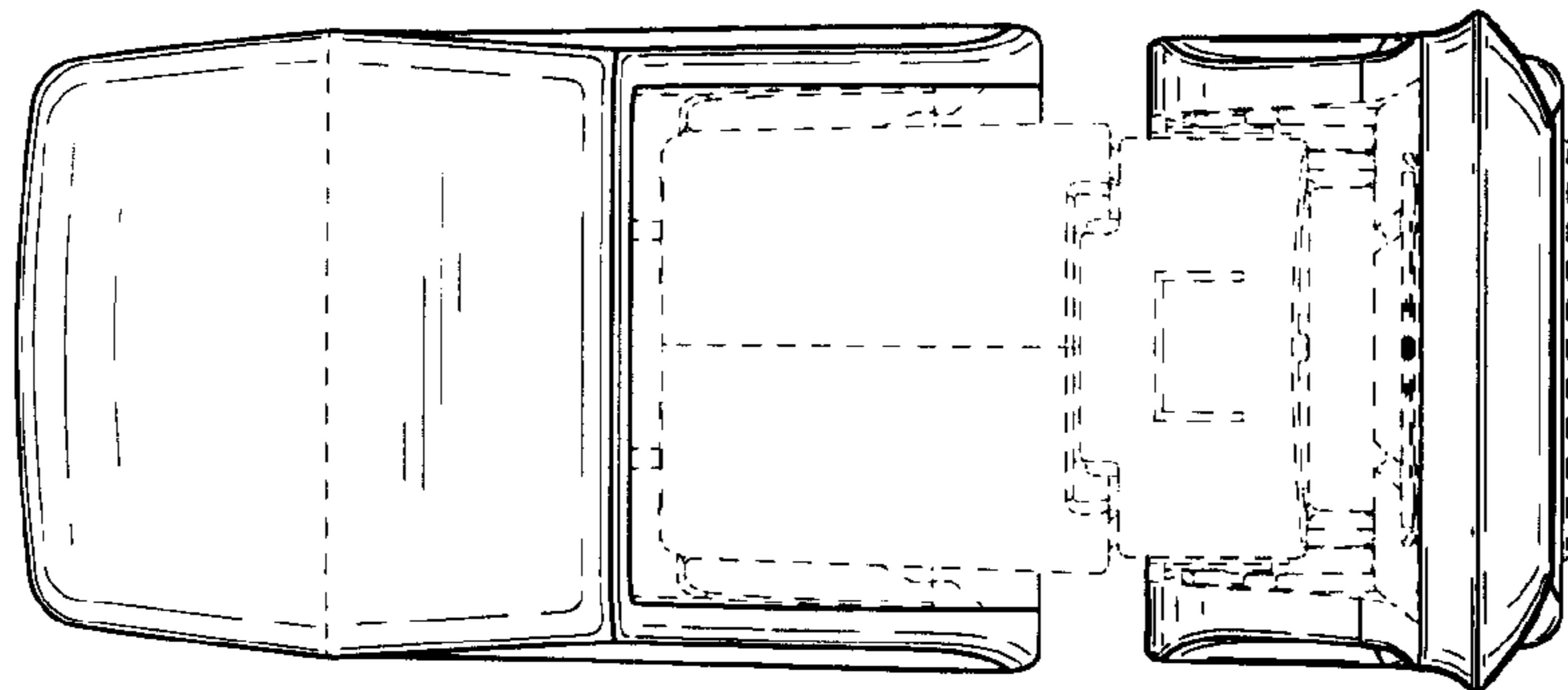


FIG. 7