



US00D567608S

(12) **United States Design Patent**  
**Greiner**

(10) **Patent No.:** **US D567,608 S**

(45) **Date of Patent:** **\*\* Apr. 29, 2008**

(54) **CAN OPENER**

(75) Inventor: **Ulrich Greiner**, Langenau (DE)

(73) Assignee: **Moha Moderne Haushaltswaren AG**,  
Zollikofen (CH)

(\*\*) Term: **14 Years**

(21) Appl. No.: **29/248,021**

(22) Filed: **Jul. 26, 2006**

(30) **Foreign Application Priority Data**

Feb. 1, 2006 (WO) ..... DM/067 565

(51) **LOC (8) Cl.** ..... **07-99**

(52) **U.S. Cl.** ..... **D8/41**

(58) **Field of Classification Search** ..... D7/669,  
D7/693; D8/14, 18, 33-41, 98; 7/151-156;  
30/400-404, 409, 412, 413, 416-418, 420-427,  
30/429, 433, 434; 81/3.07, 3.35-3.37, 3.4  
See application file for complete search history.

(56) **References Cited**

**U.S. PATENT DOCUMENTS**

D309,085 S \* 7/1990 Usbeck ..... D8/33  
D326,039 S \* 5/1992 Viemeister ..... D8/33  
D392,857 S \* 3/1998 Lallemand ..... D8/36  
D442,044 S \* 5/2001 Juhlin et al. .... D8/39  
D482,250 S \* 11/2003 Vitrac ..... D8/39

D501,772 S \* 2/2005 Overthun et al. .... D8/40  
D520,826 S \* 5/2006 Parlowski ..... D8/41  
D522,824 S \* 6/2006 McGuyer ..... D8/41

\* cited by examiner

*Primary Examiner*—Caron D. Veynar

*Assistant Examiner*—Garth Rademaker

(74) *Attorney, Agent, or Firm*—Ziolkowski Patent Solutions  
Group, SC

(57) **CLAIM**

The ornamental design for a can opener, as shown and  
described.

**DESCRIPTION**

FIG. 1 is a front view of a can opener in accordance with the  
present invention;

FIG. 2 is a rear view thereof;

FIG. 3 is a perspective view thereof;

FIG. 4 is a right side elevation view thereof;

FIG. 5 is a top view thereof;

FIG. 6 is a left side elevation view thereof, opposite the side  
view shown in FIG. 4; and,

FIG. 7 is a bottom view thereof.

The broken line showing is for illustrative purposes only,  
and forms no part of the claimed design.

**1 Claim, 3 Drawing Sheets**

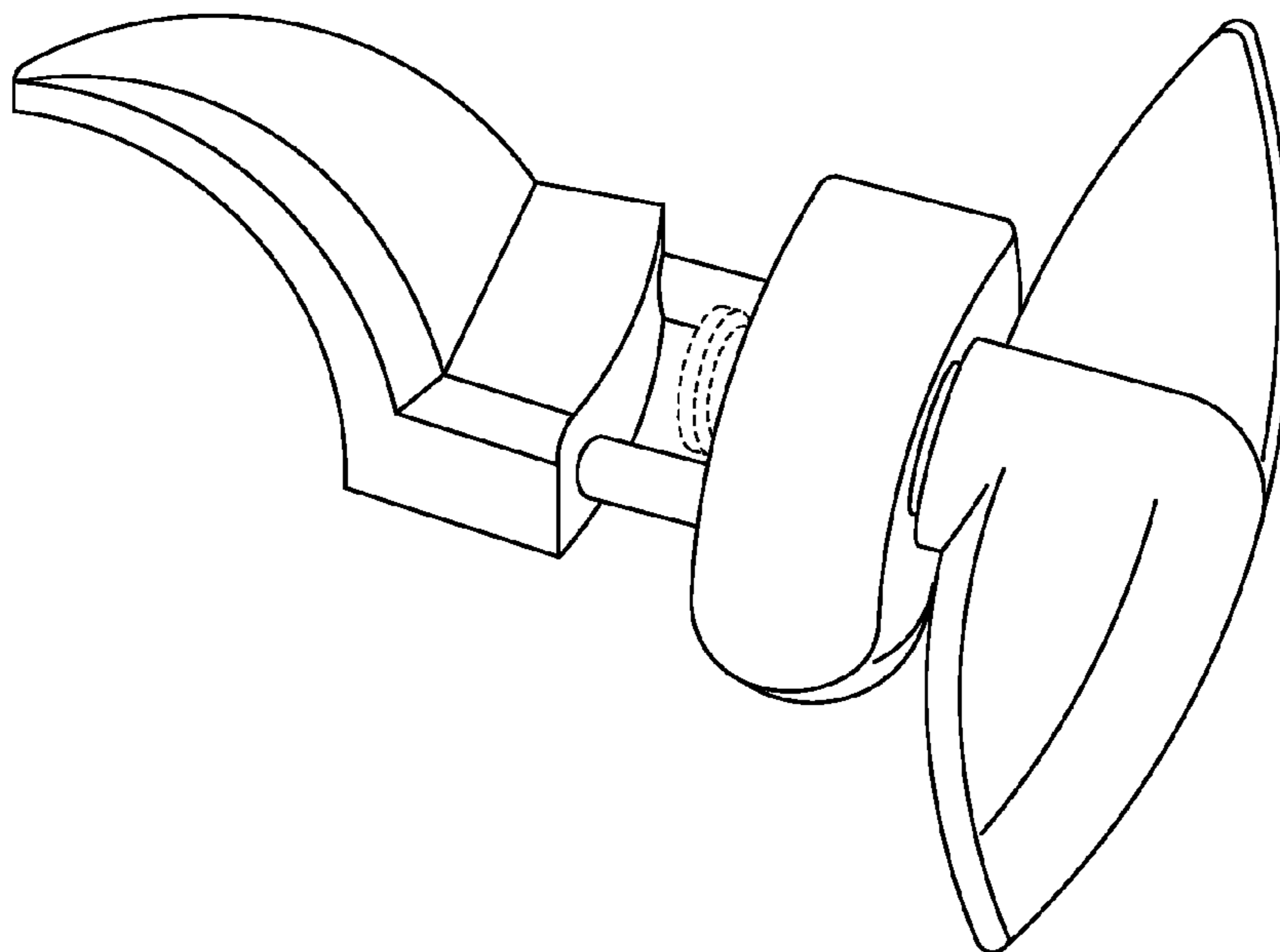


FIG. 3

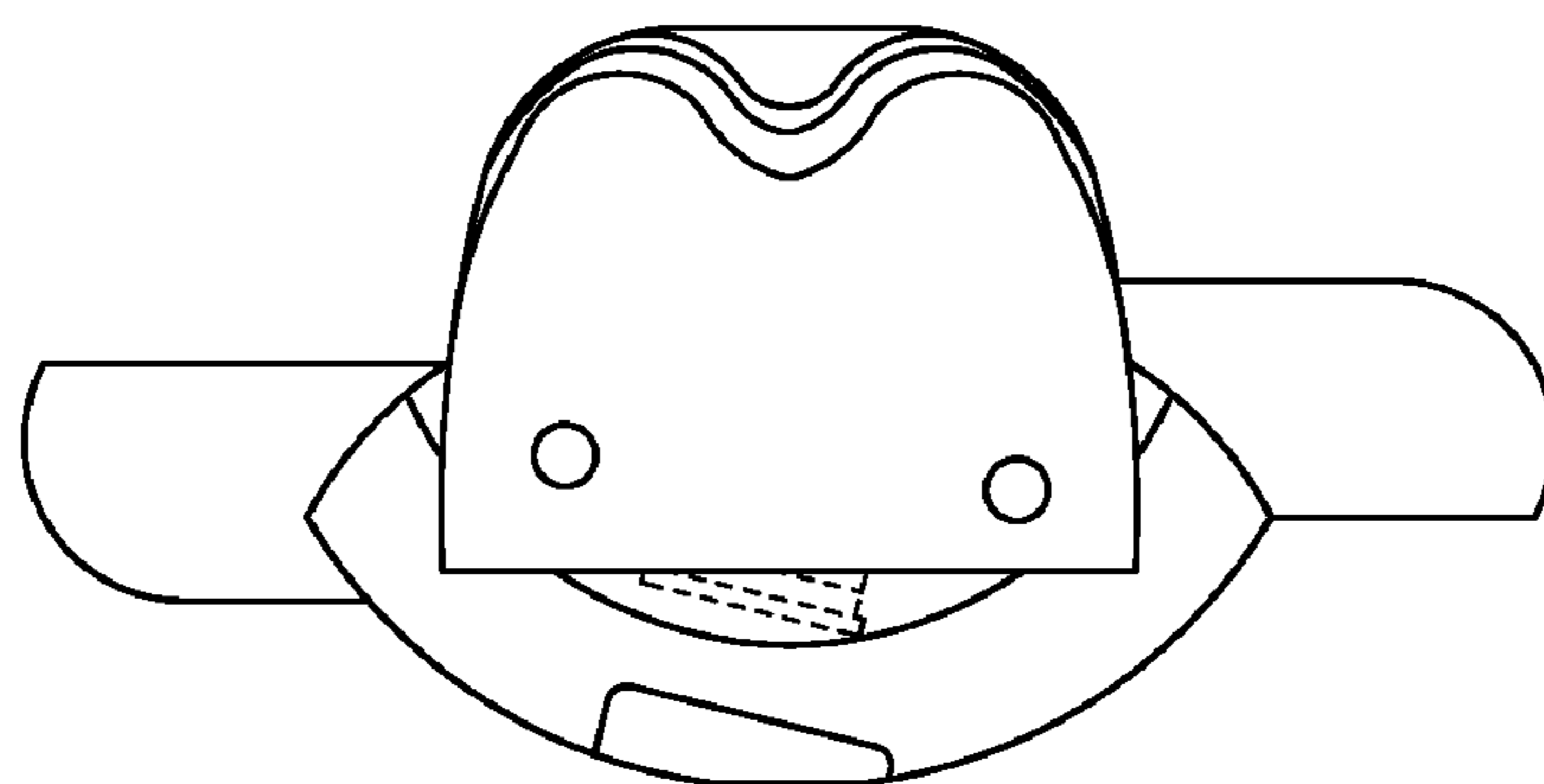
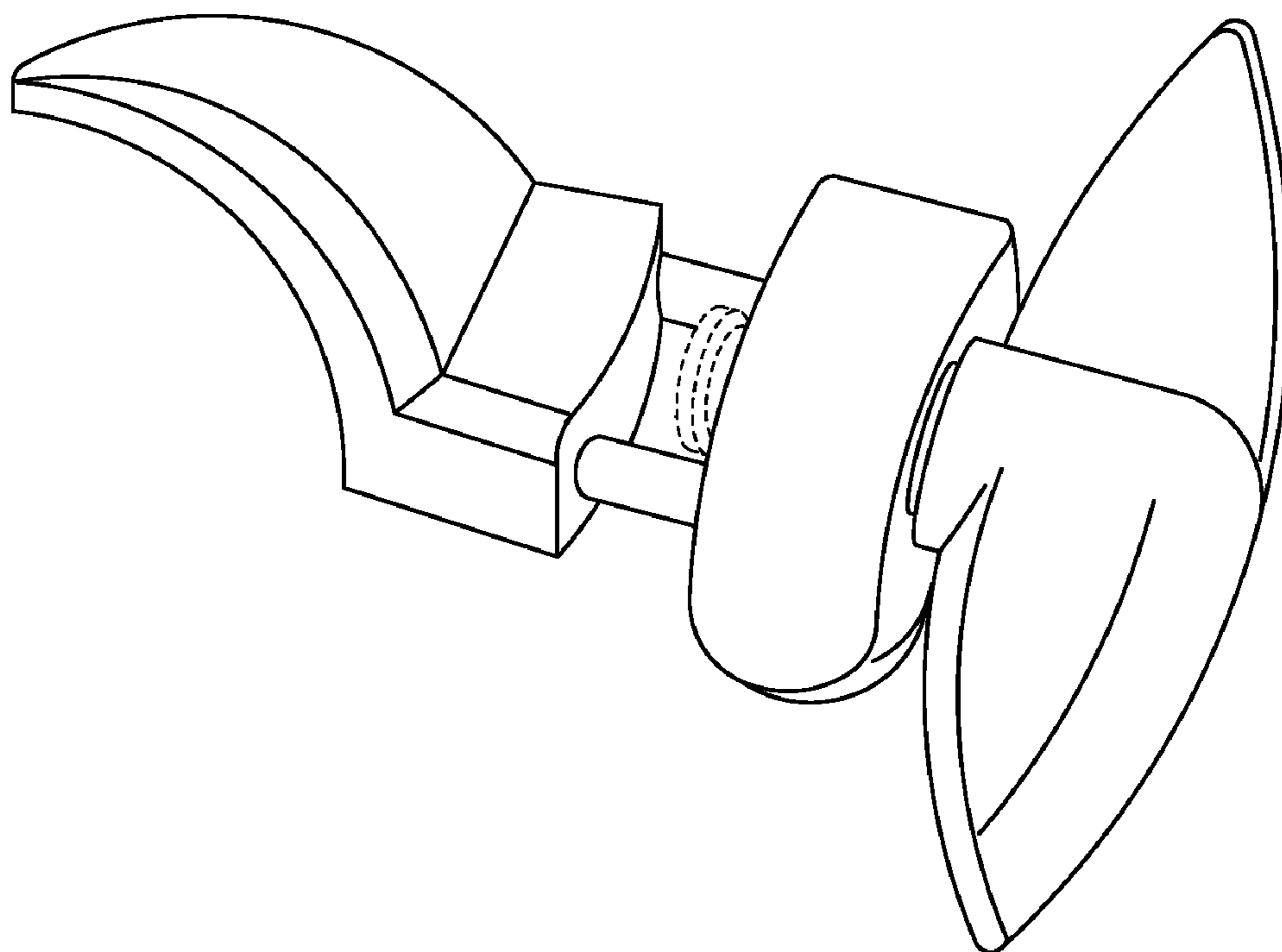


FIG. 1

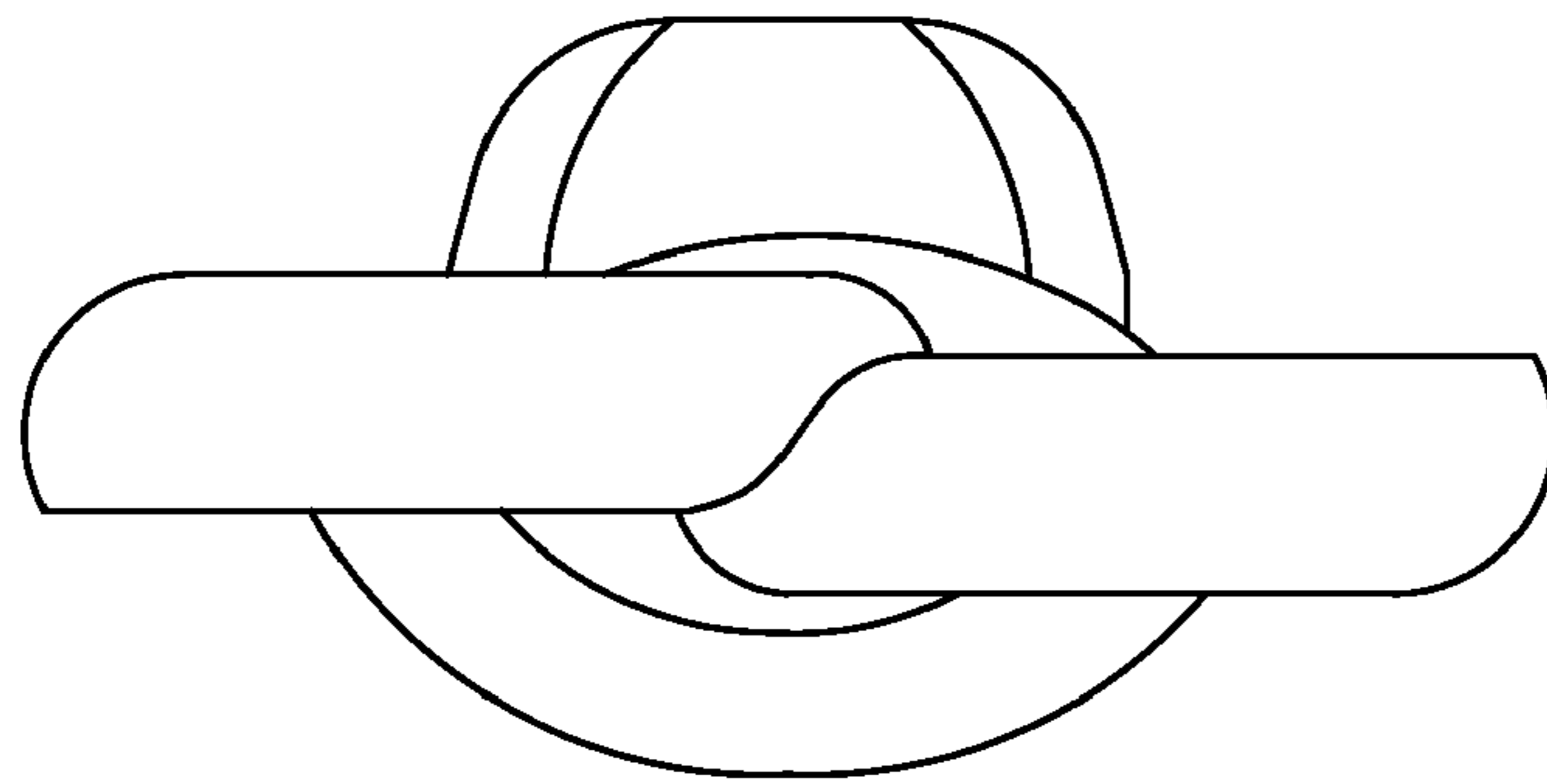


FIG. 2

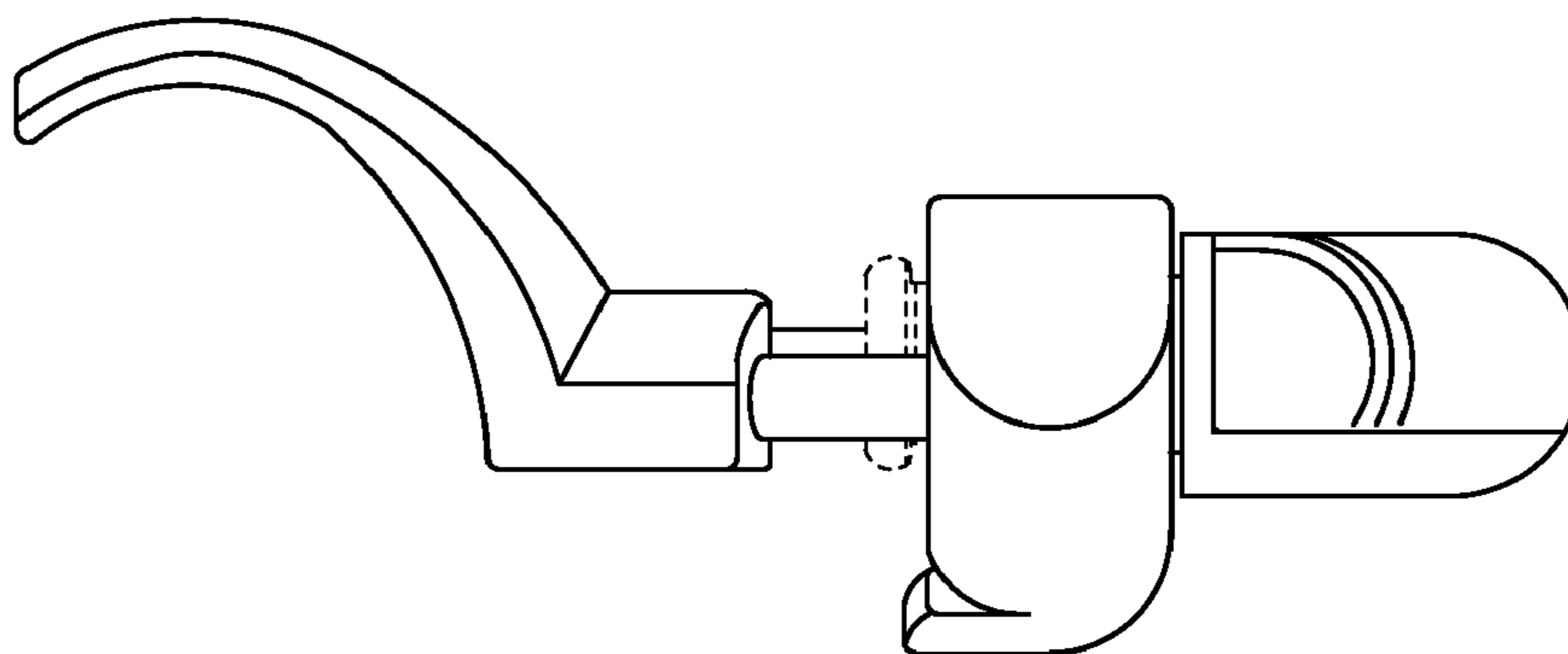


FIG. 6

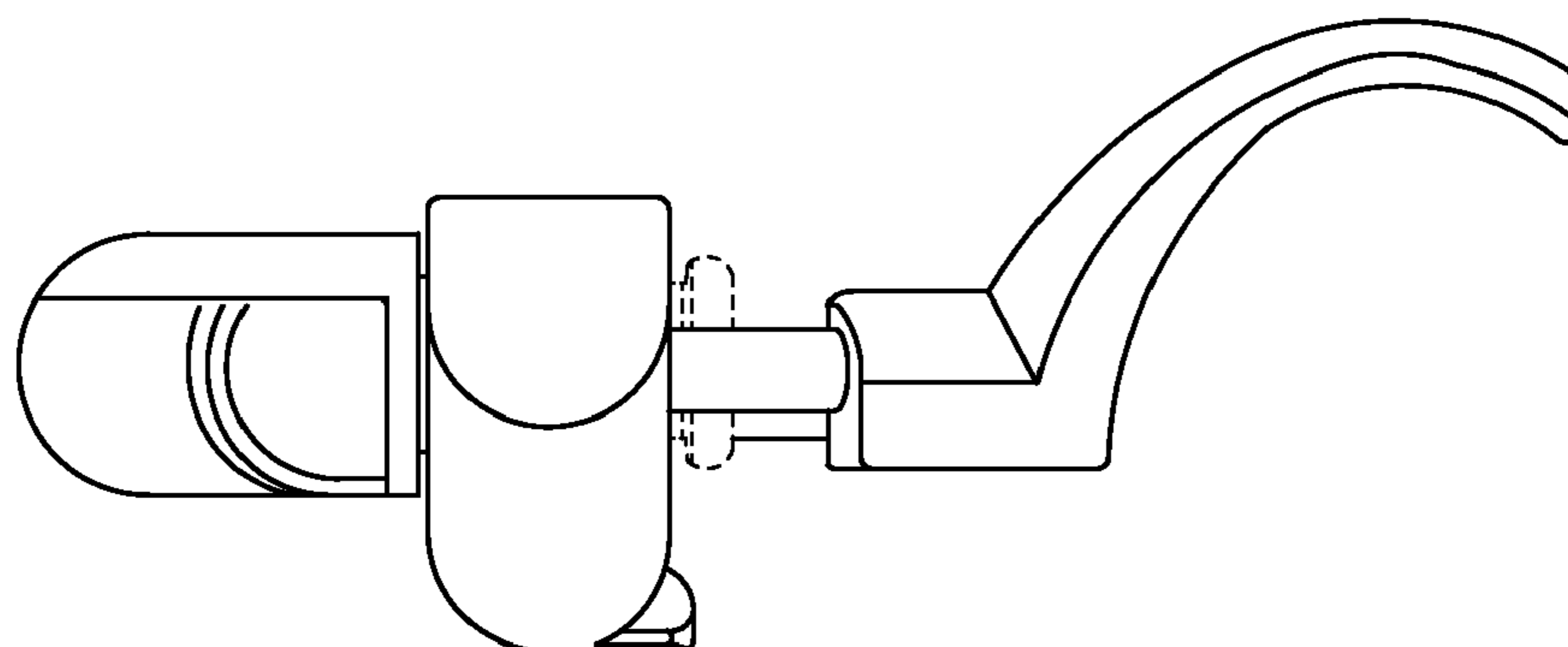


FIG. 4

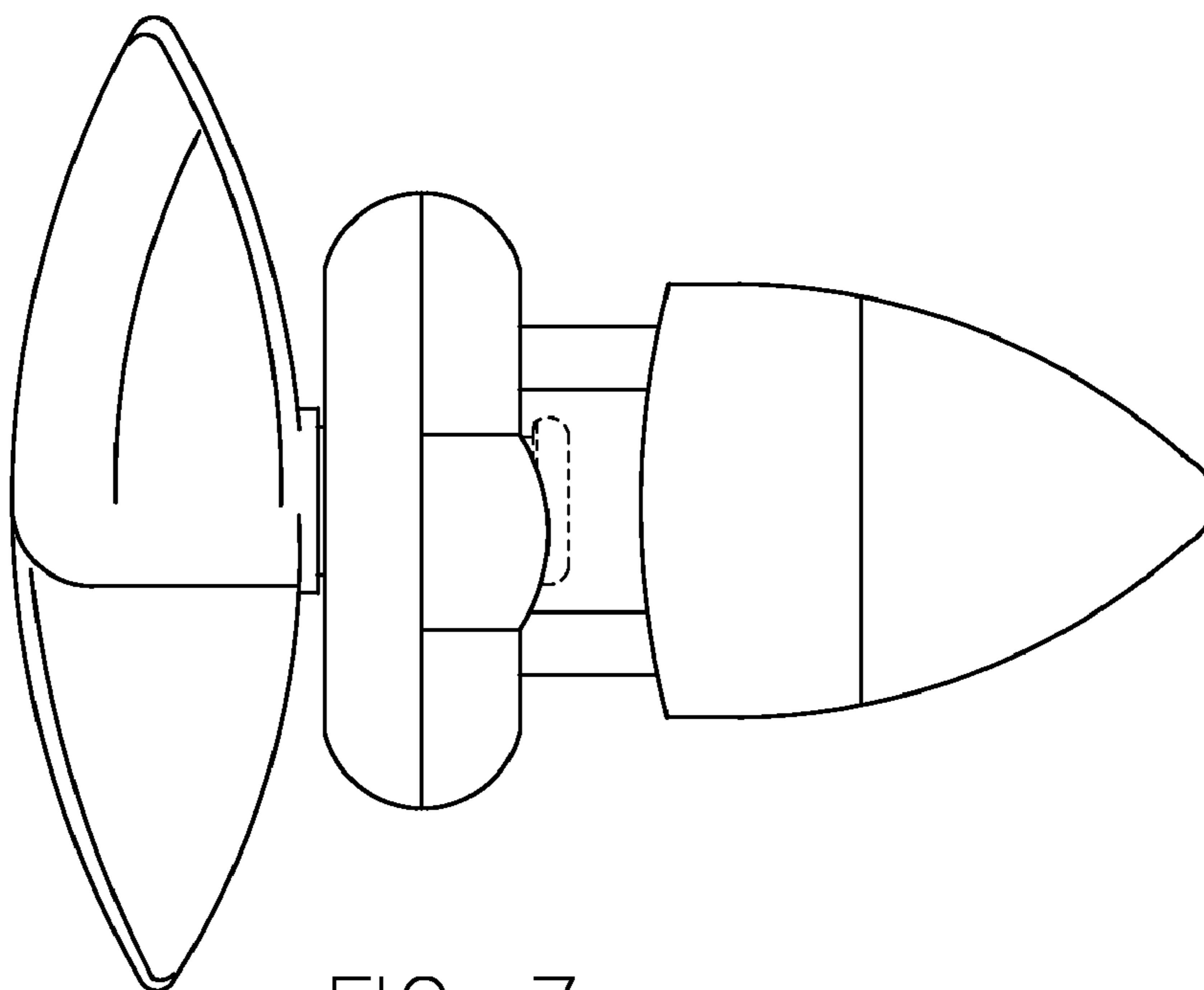


FIG. 7

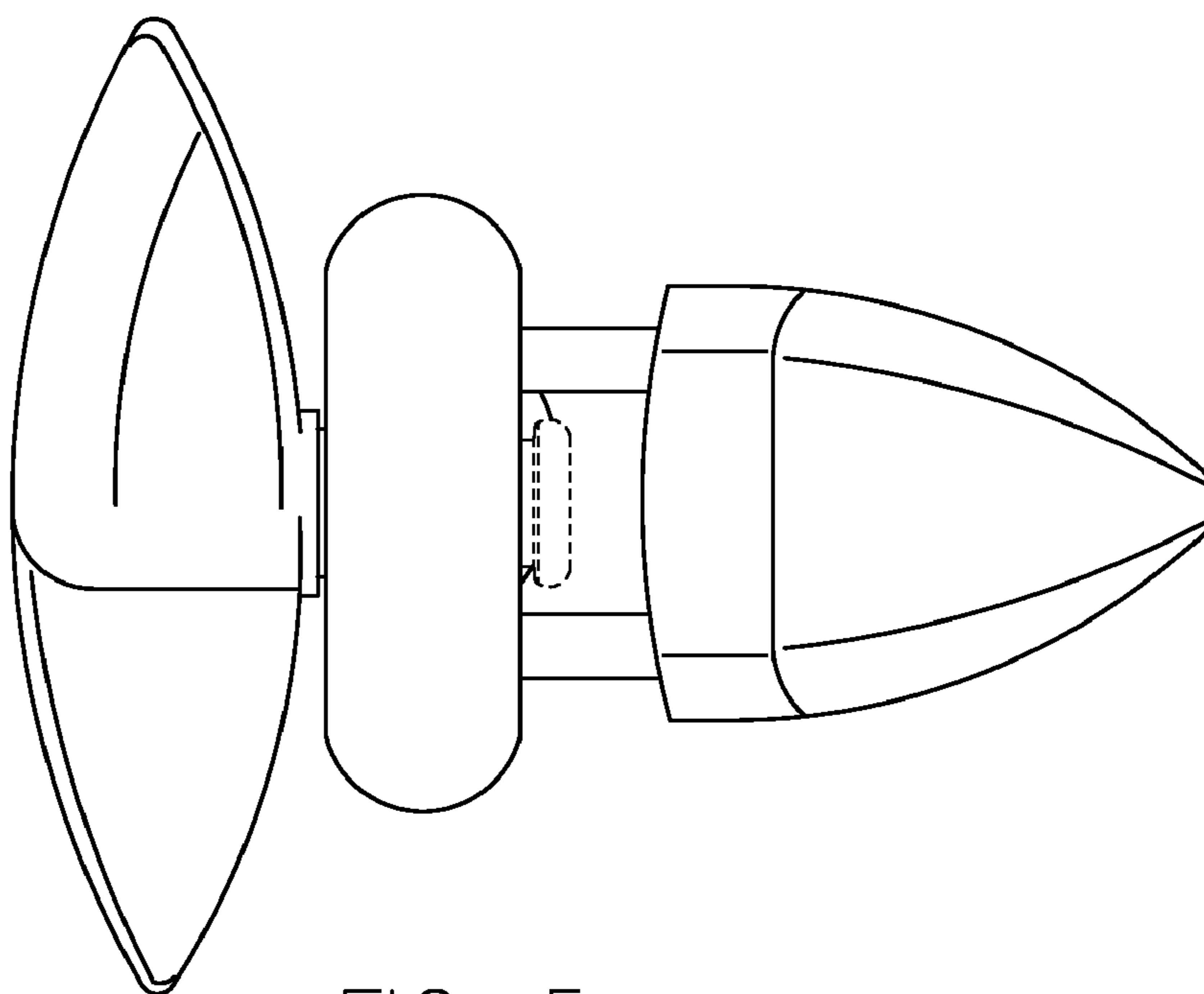


FIG. 5