

US00D567607S

(12) **United States Design Patent**
Simons

(10) **Patent No.:** **US D567,607 S**

(45) **Date of Patent:** **** Apr. 29, 2008**

(54) **LEVEL-PULL CORKSCREW**

(75) Inventor: **Danny Simons**, Paradise Waters (AU)

(73) Assignee: **Argyle Wine Tools Pty Ltd**, Paradise Waters, Queensland (AU)

(**) Term: **14 Years**

(21) Appl. No.: **29/255,388**

(22) Filed: **Mar. 3, 2006**

(30) **Foreign Application Priority Data**

Sep. 8, 2005 (AU) 13873/05

(51) **LOC (8) Cl.** **07-99**

(52) **U.S. Cl.** **D8/39**

(58) **Field of Classification Search** D7/386,
D7/669, 680; D8/14, 16, 18, 19, 33-43,
D8/88, 98; 7/151-156; 30/1.5, 113.1-113.3,
30/408, 409; 81/3.07, 3.25, 3.27, 3.31, 3.35,
81/3.36, 3.4, 3.44, 3.45, 3.47-3.49, 3.55-3.57
See application file for complete search history.

(56) **References Cited**

U.S. PATENT DOCUMENTS

D444,045 S * 6/2001 Kay D8/39

D465,710 S * 11/2002 Kao D8/39
D466,383 S * 12/2002 Kehoe D8/39
D467,141 S * 12/2002 Li D8/39
D476,541 S * 7/2003 Kushner et al. D8/39
D482,250 S * 11/2003 Vitrac D8/39
D522,823 S * 6/2006 Henry D8/39
D523,712 S * 6/2006 Yeung D8/39

* cited by examiner

Primary Examiner—Robert M. Spear
Assistant Examiner—Garth Rademaker
(74) *Attorney, Agent, or Firm*—DLA Piper US LLP

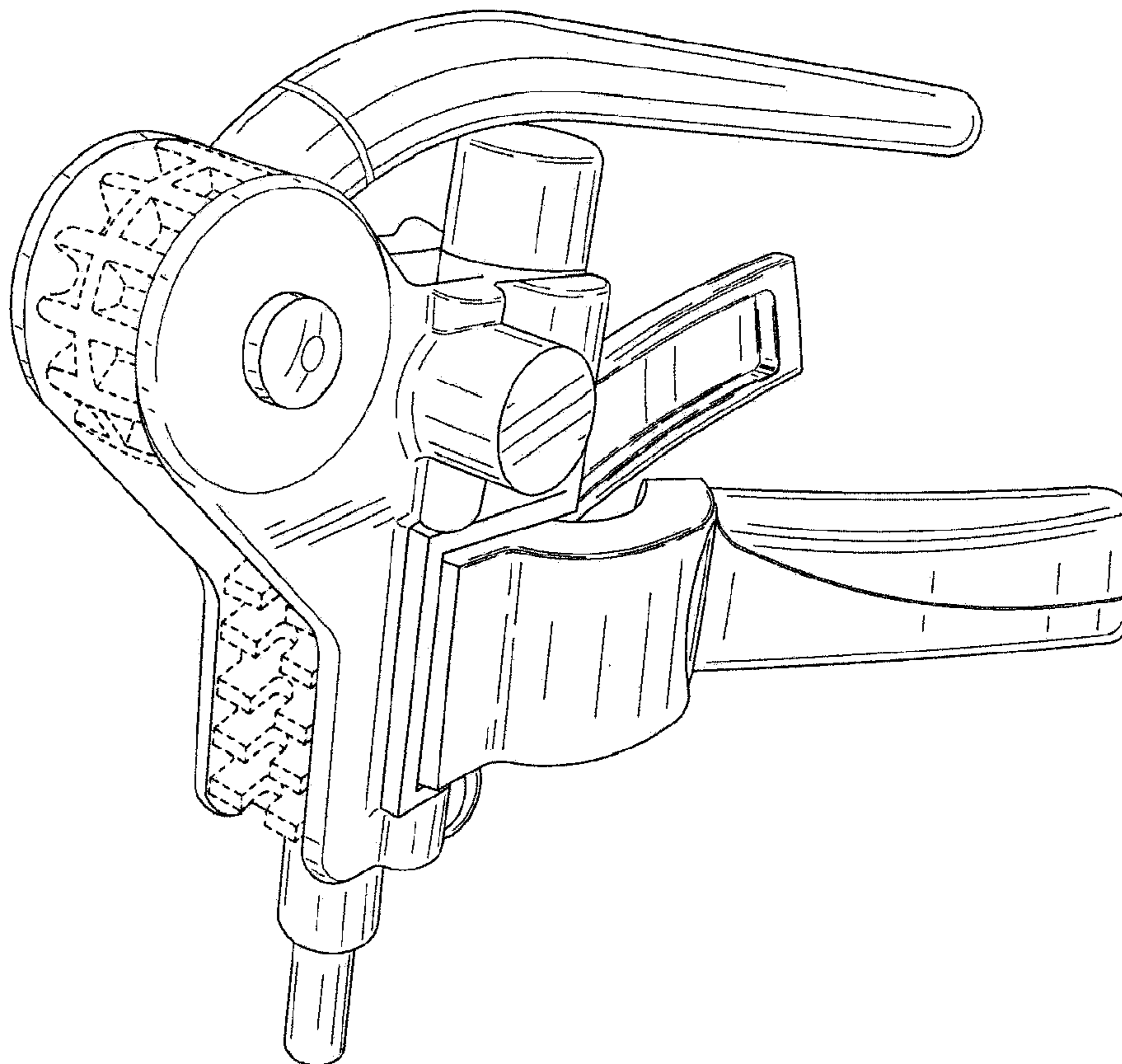
(57) **CLAIM**

The ornamental design for a lever-pull corkscrew, as shown and described.

DESCRIPTION

FIG. 1 is a perspective view of a lever-pull corkscrew showing my new design;
FIG. 2 is a front elevation view thereof;
FIG. 3 is a top plan view thereof; and,
FIG. 4 is a right side elevation view thereof.

1 Claim, 4 Drawing Sheets



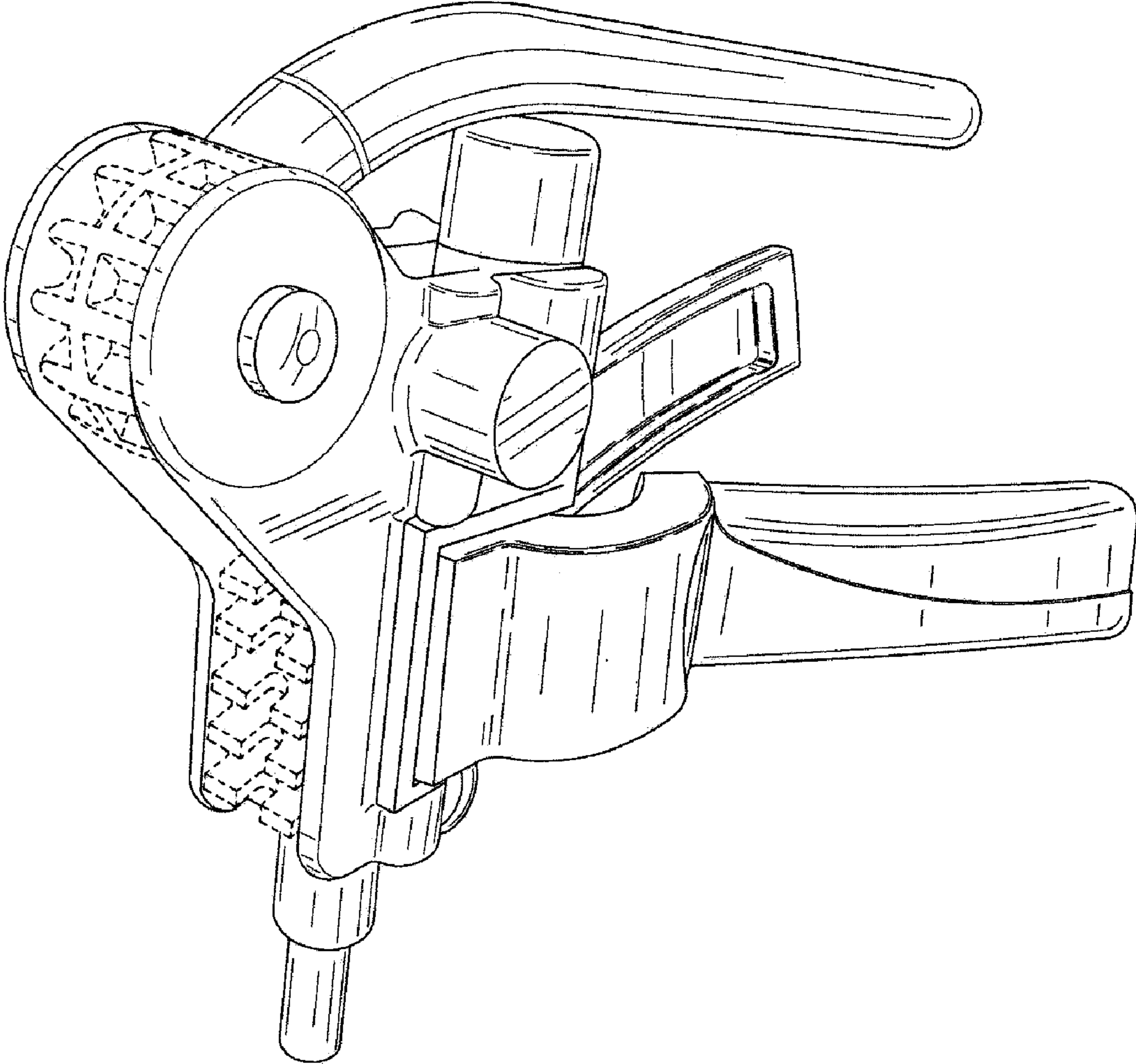


FIG. 1

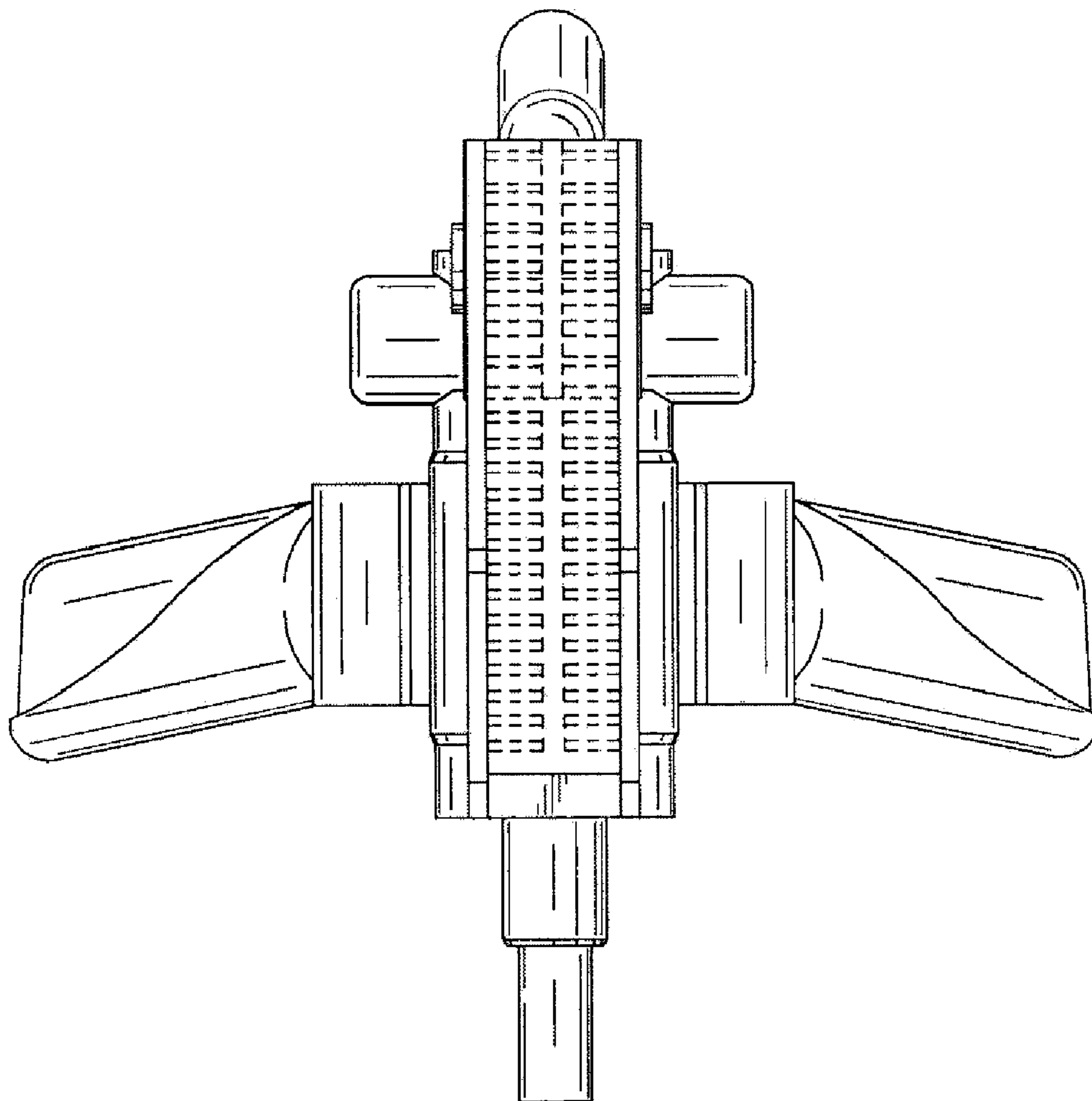


FIG. 2

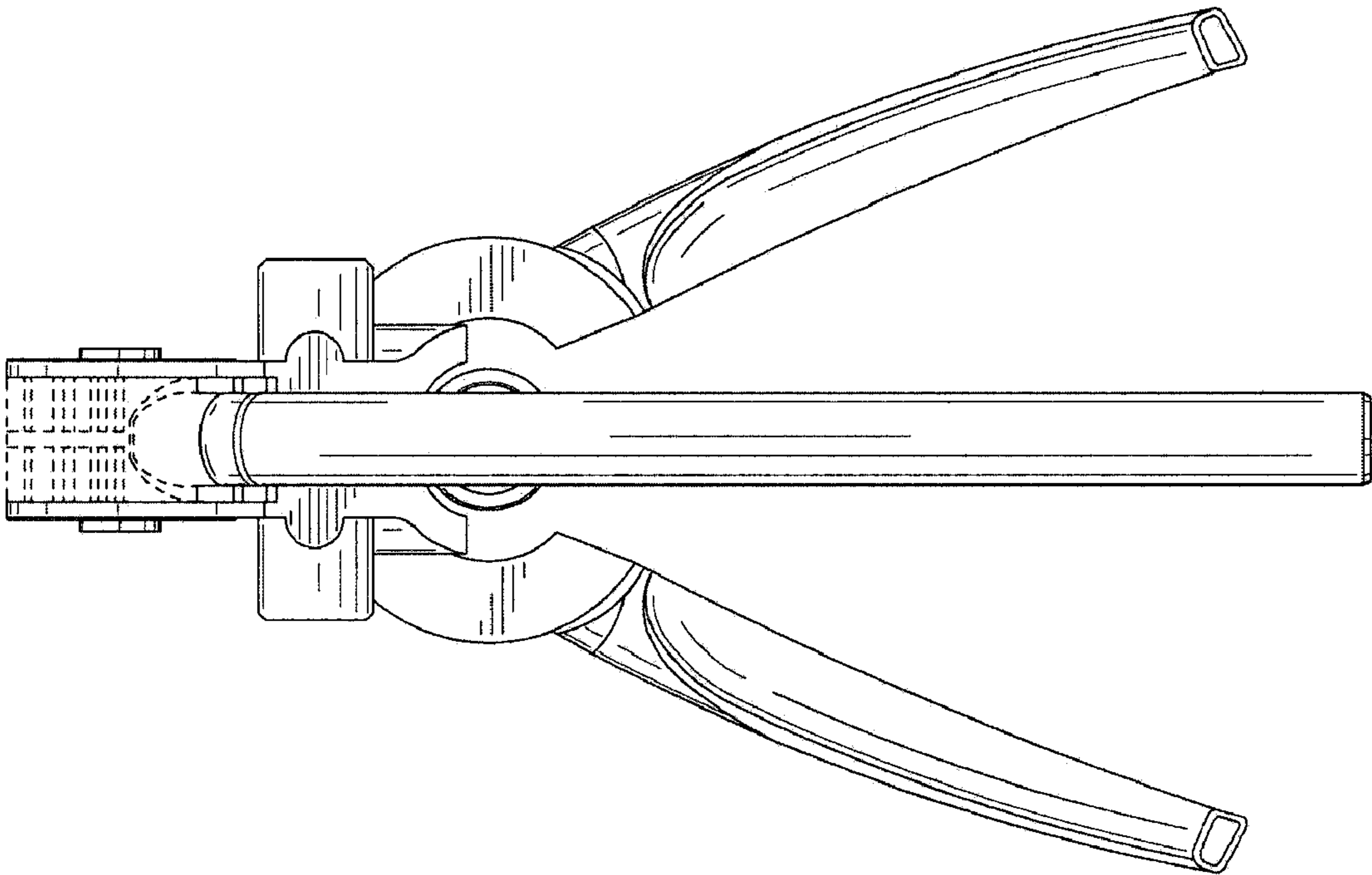


FIG. 3

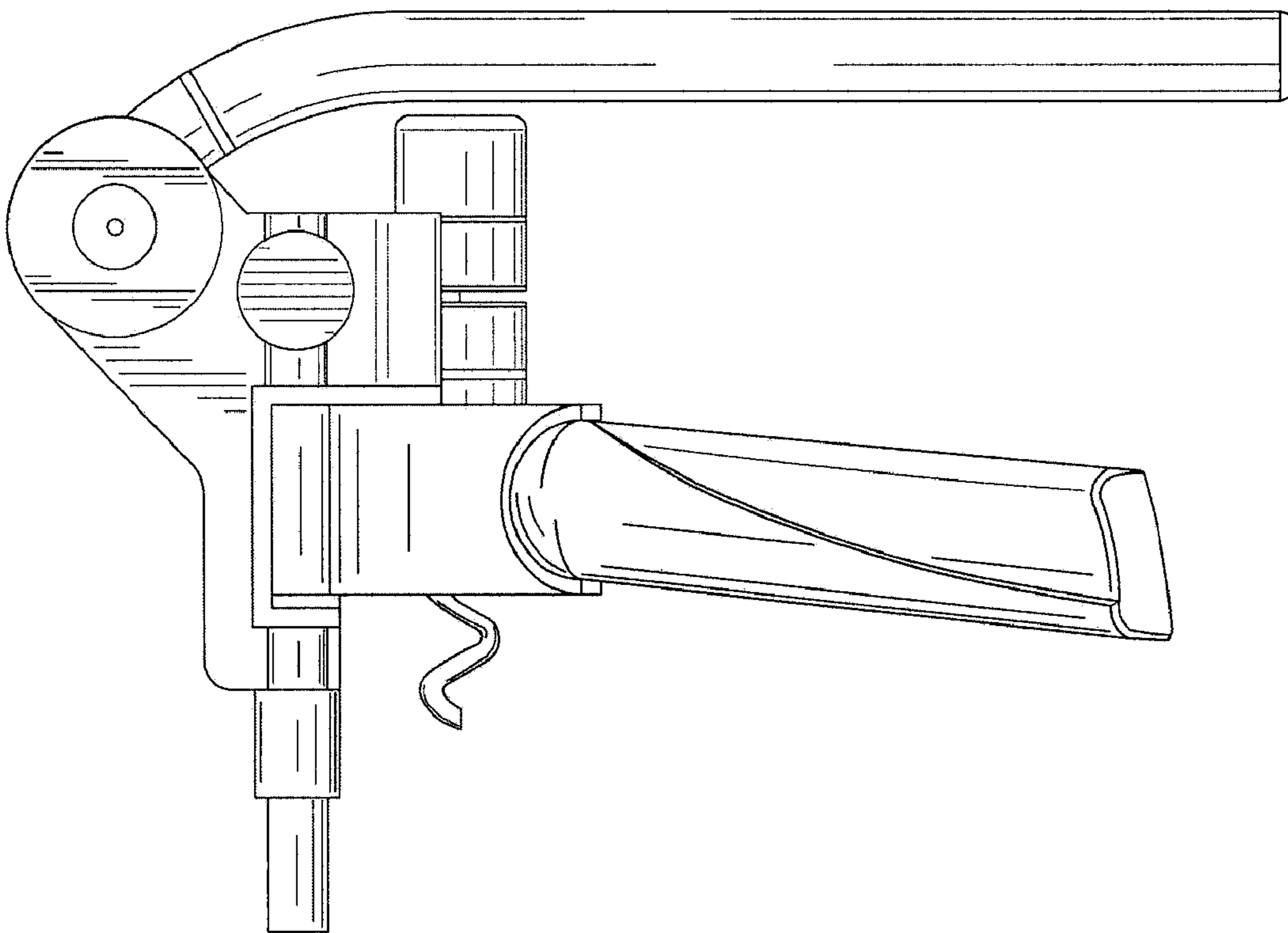


FIG. 4