

US00D567605S

(12) **United States Design Patent**  
**Yu**

(10) **Patent No.:** **US D567,605 S**  
(45) **Date of Patent:** **\*\* Apr. 29, 2008**

(54) **HEXAGONAL SOCKET**

(76) Inventor: **Hsiang-Chen Yu**, No. 22, Lane 300,  
Cihde Rd., Dali City, Taichung County  
(TW) 412

(\*\*) Term: **14 Years**

(21) Appl. No.: **29/281,898**

(22) Filed: **Jul. 5, 2007**

(51) **LOC (8) Cl.** ..... **08-05**

(52) **U.S. Cl.** ..... **D8/29**

(58) **Field of Classification Search** ..... D8/17,  
D8/21-29, 105, 52, 55, 81-87, 102-107,  
D8/98, 99, 93, 94; 81/98, 99, 100, 119, 126,  
81/129, 172, 133, 124.3, 124.7, 129.5, 37,  
81/341, 142, 144, 171, 55, 176.2, 177.2,  
81/176.3, 177.85, 121.1, 86, 124.2, 125,  
81/125.1, 176.1, 177.1, 179, 160, 3.57, 3.55,  
81/58.3, 300, 58.1, 165-170, 110.1, 124.6,  
81/176.15, 177.3, 58.4, 121.7, 436; 81/437,  
81/418, 186, 177.8, 177.7, 490, 415-423,  
81/427.5, 120, 124.4, 58-63.2, 3.09; 16/429,  
16/176.1, 125.1, 186, 176.2, 422; 140/119  
See application file for complete search history.

(56) **References Cited**

**U.S. PATENT DOCUMENTS**

3,869,945 A \* 3/1975 Zerver ..... 81/125  
4,602,534 A \* 7/1986 Moetteli ..... 81/177.85  
D359,669 S \* 6/1995 Splingaire ..... D8/29  
5,448,930 A \* 9/1995 Miner et al. .... 81/57.39

D398,823 S \* 9/1998 Hsieh ..... D8/29  
5,916,340 A \* 6/1999 Forsyth ..... 81/125  
D520,311 S \* 5/2006 Saunders ..... D8/29  
7,077,037 B2 \* 7/2006 Shevela et al. .... 81/436  
D526,172 S \* 8/2006 Lin ..... D8/29  
2006/0254394 A1 \* 11/2006 Cantlon et al. .... 81/125  
2006/0266166 A1 \* 11/2006 Weber ..... 81/184

\* cited by examiner

*Primary Examiner*—Philip S. Hyder

*Assistant Examiner*—Randall H Gholson

(74) *Attorney, Agent, or Firm*—Apex Juris, pllc; Tracy M Heims

(57) **CLAIM**

The ornamental design of a hexagonal socket, as shown and described.

**DESCRIPTION**

FIG. 1 is a front perspective view of a hexagonal socket of my new design;

FIG. 2 is a front elevational view thereof;

FIG. 3 is a rear elevational view thereof;

FIG. 4 is a left side elevational view thereof;

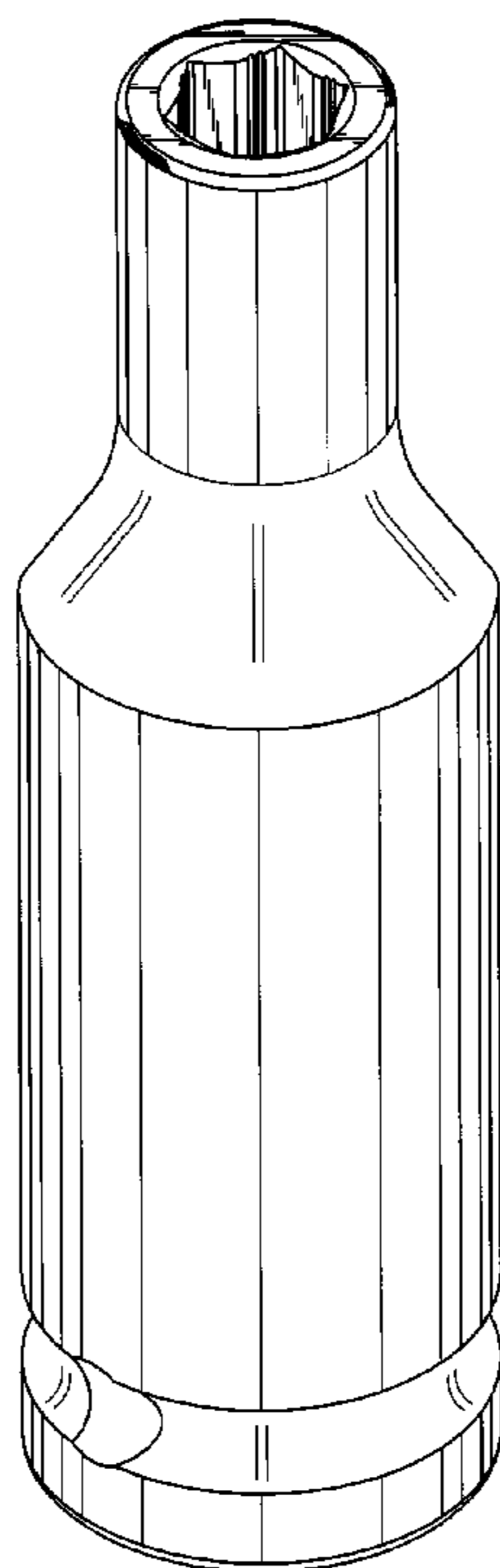
FIG. 5 is a right side elevational view thereof;

FIG. 6 is a top plan view thereof;

FIG. 7 is a bottom plan view thereof; and,

FIG. 8 is an enlarged top plan view of the section 8 of FIG. 6.

**1 Claim, 8 Drawing Sheets**



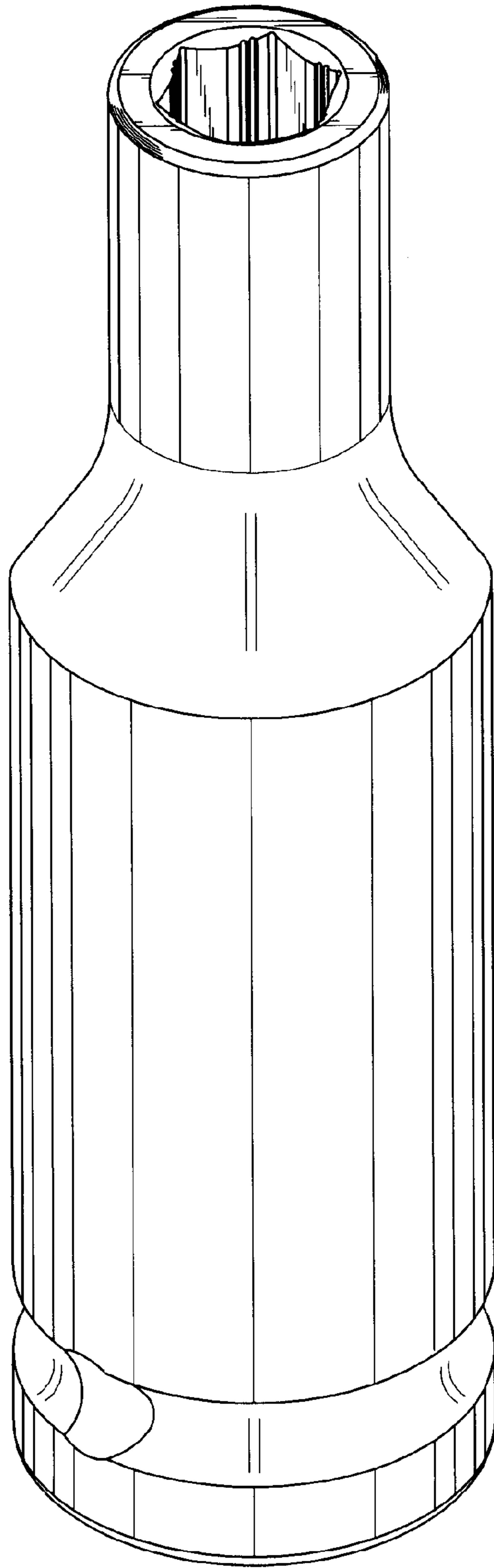


FIG. 1

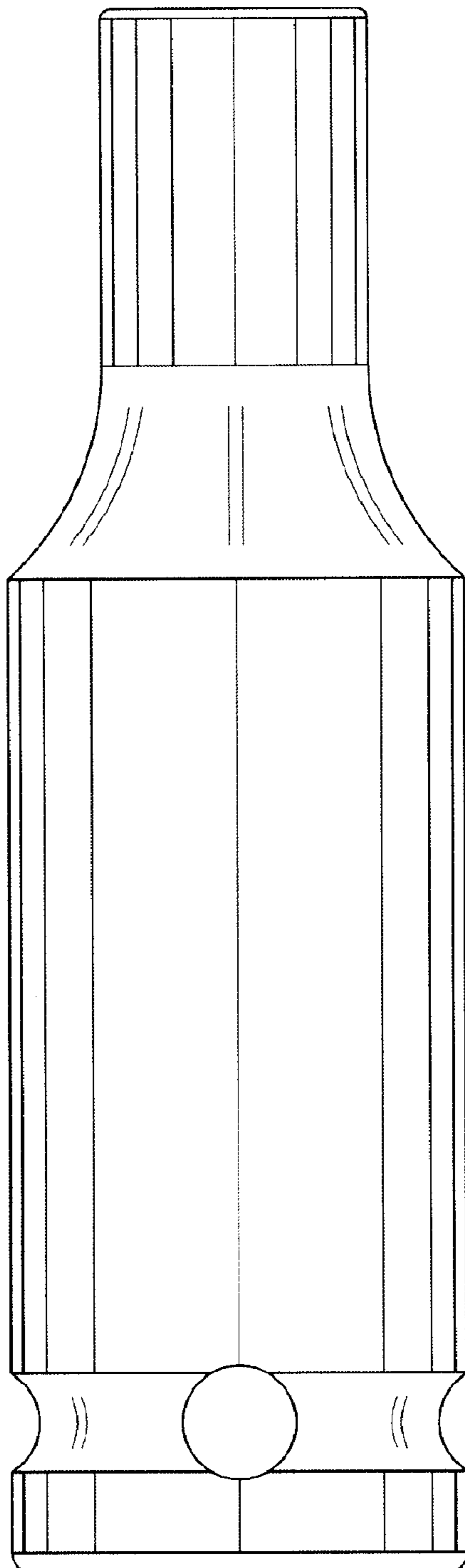


FIG. 2

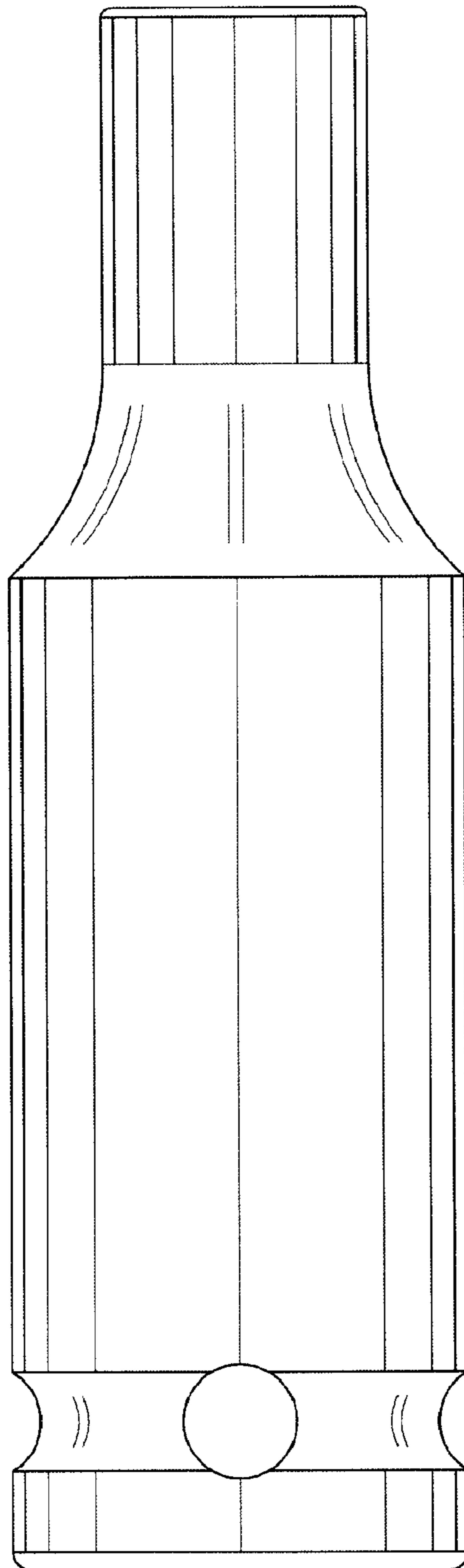


FIG. 3

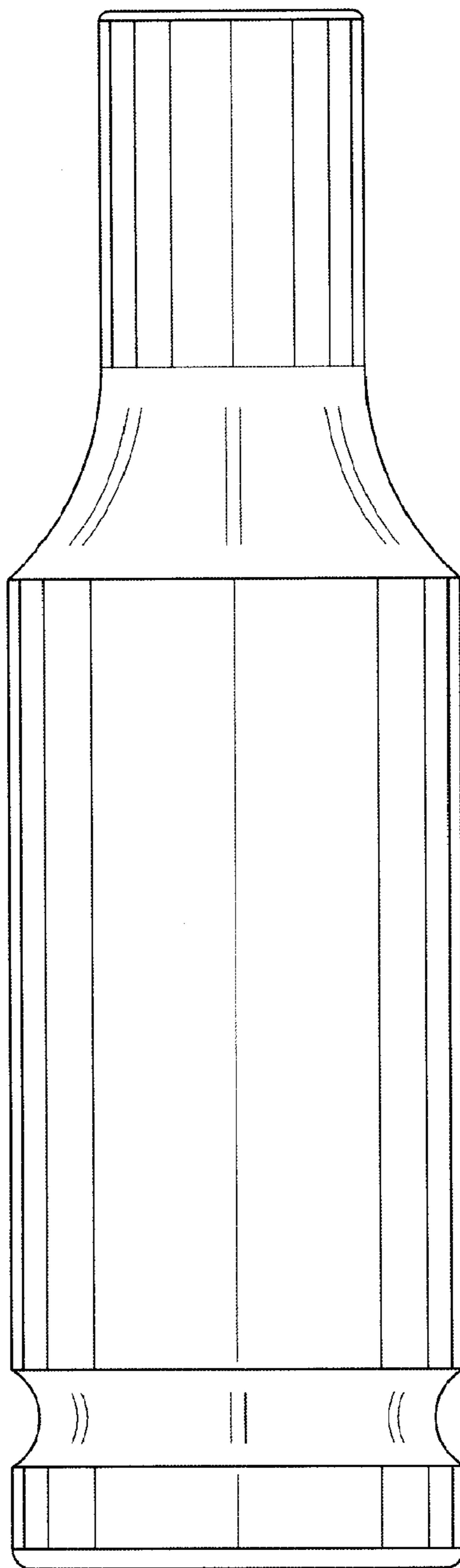


FIG. 4

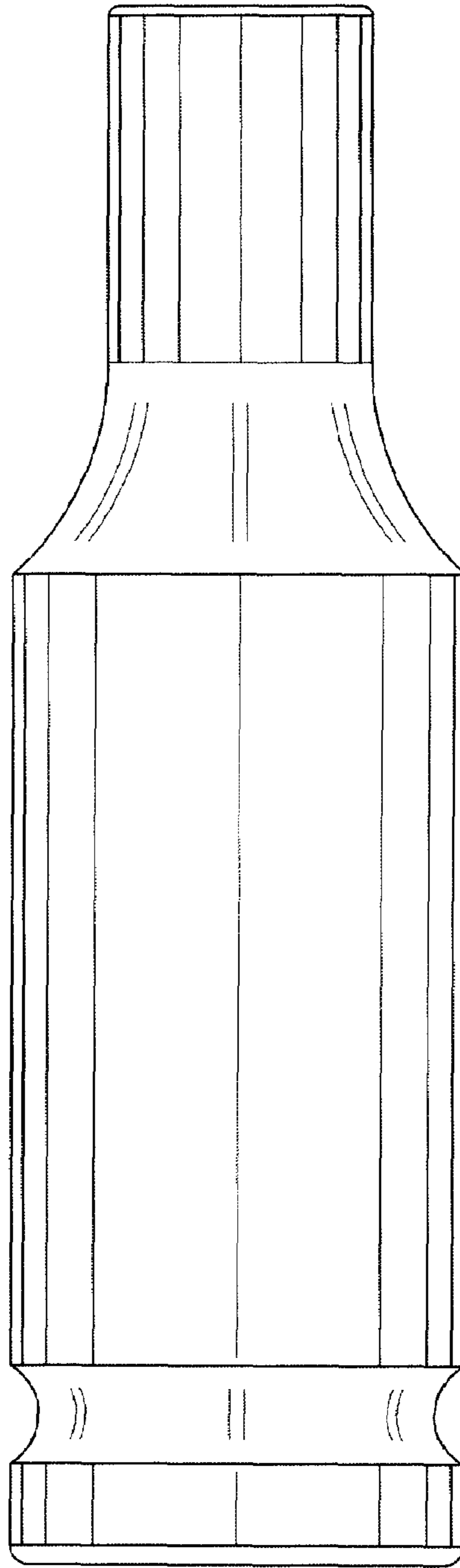


FIG. 5

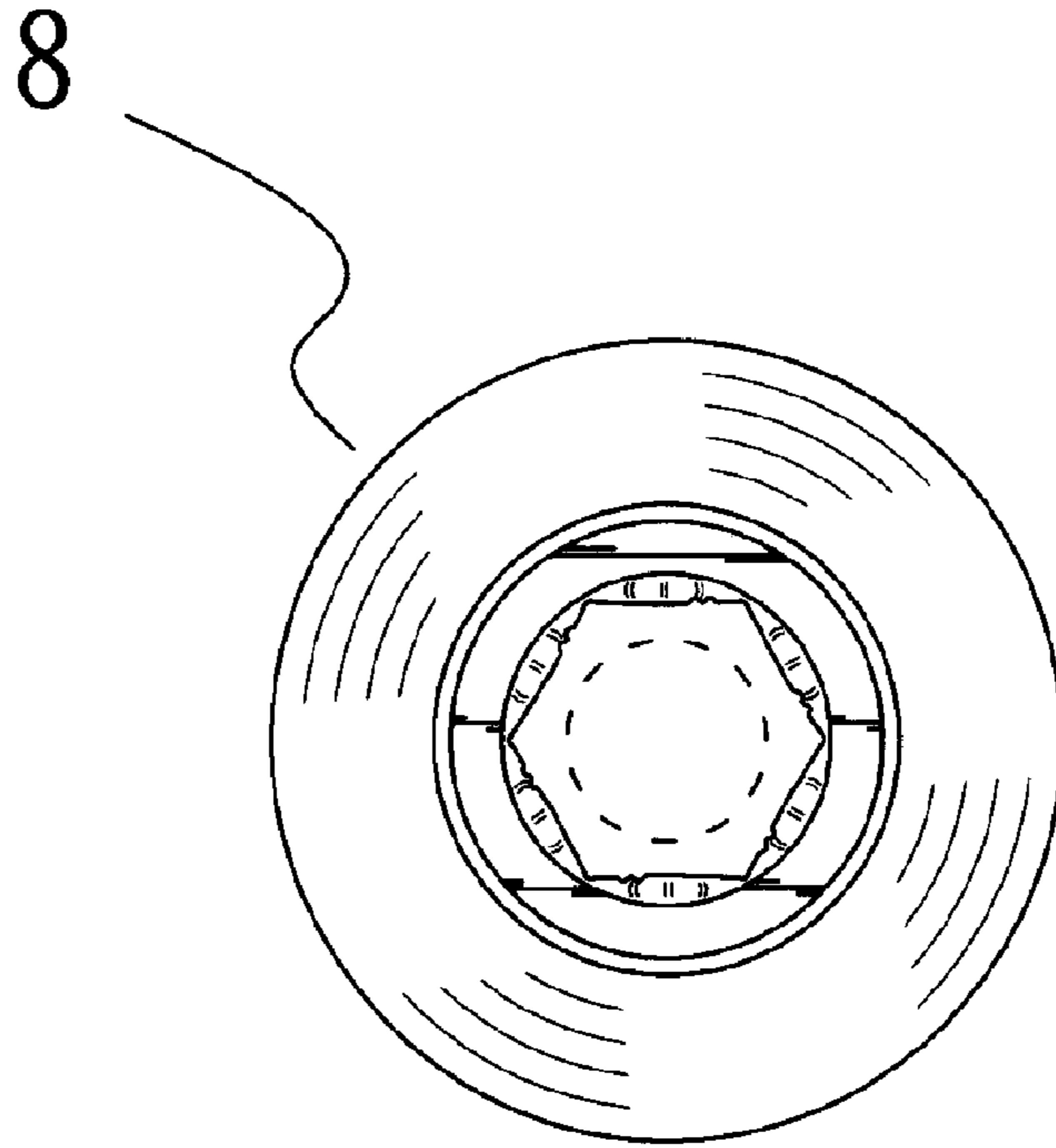


FIG. 6

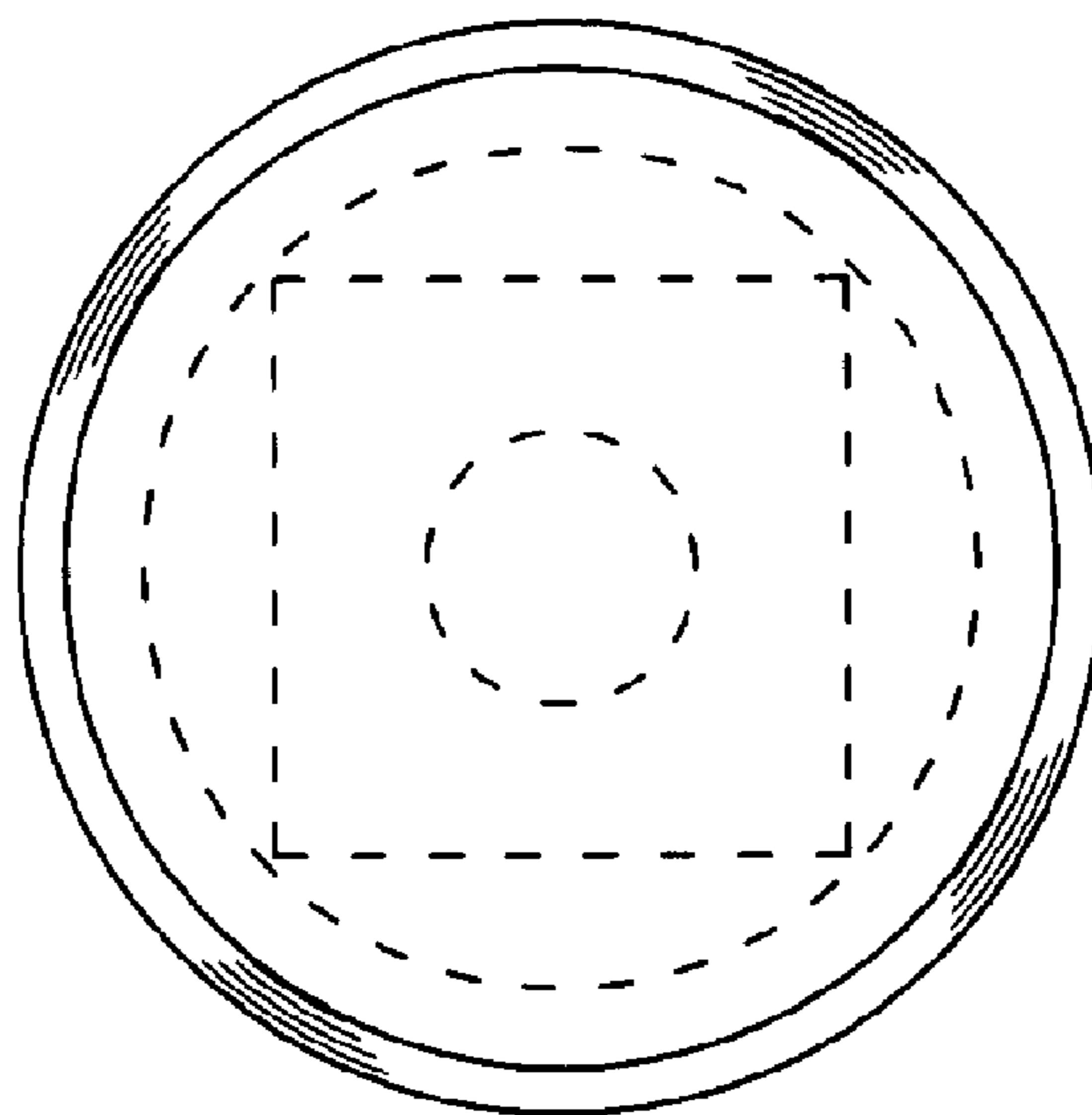


FIG. 7



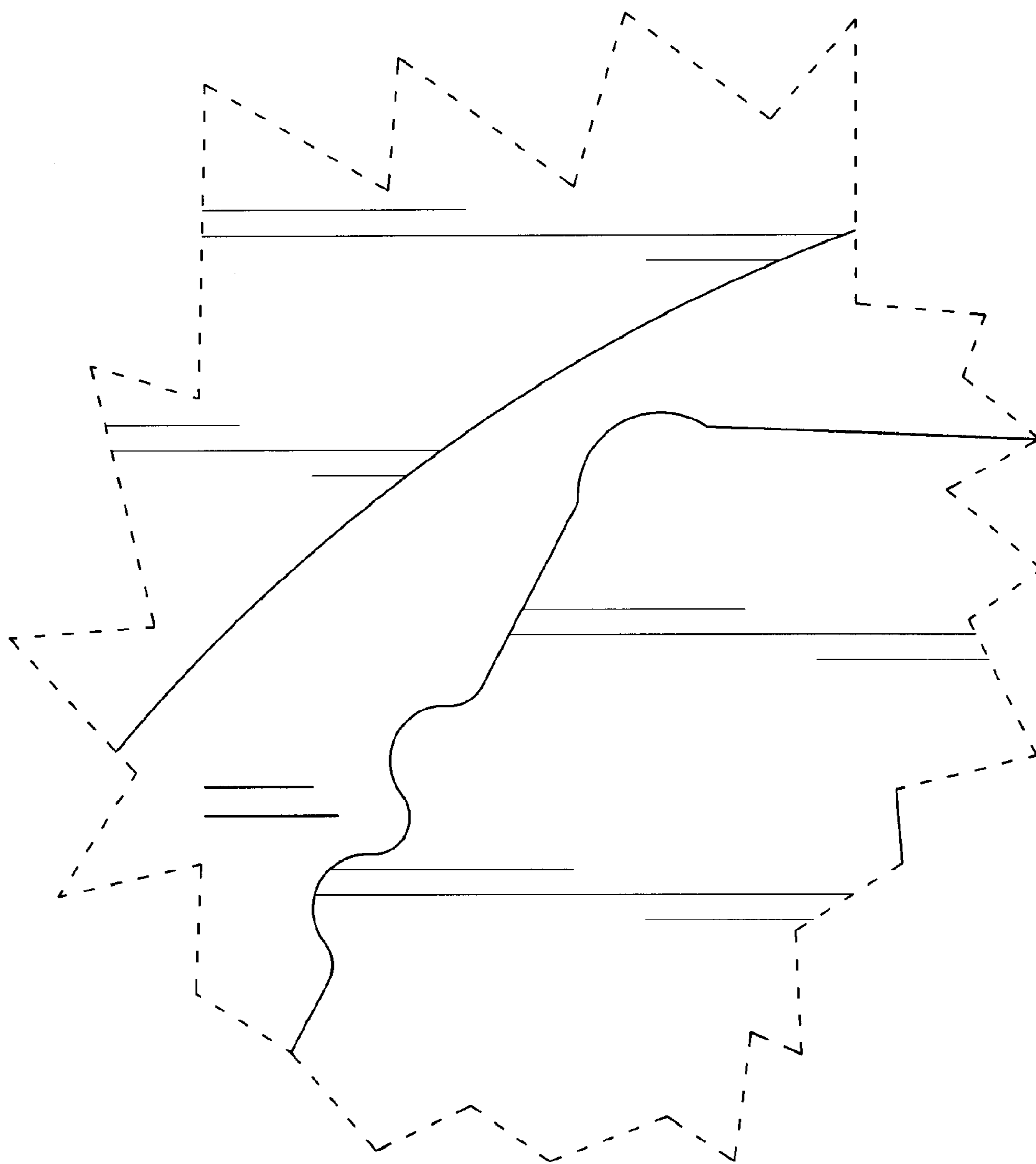


FIG. 8