



US00D567604S

(12) **United States Design Patent** (10) **Patent No.:** **US D567,604 S**
Yu (45) **Date of Patent:** **** Apr. 29, 2008**

(54) **HEXAGONAL SOCKET**

(76) **Inventor:** **Hsiang-Chen Yu**, No. 22, Lane 300,
Cihde Rd., Dali City, Taichung County
(TW) 412

(**) **Term:** **14 Years**

(21) **Appl. No.:** **29/281,888**

(22) **Filed:** **Jul. 5, 2007**

(51) **LOC (8) Cl.** **08-05**

(52) **U.S. Cl.** **D8/29**

(58) **Field of Classification Search** D8/17,
D8/21-29, 105, 86, 52, 55, 81-87, 102-107,
D8/98, 99, 93, 94; 81/98, 99, 100, 119, 126,
81/129, 172, 133, 124.3, 124.7, 129.5, 37,
81/341, 61, 62, 142, 144, 171, 55, 176.1,
81/176.2, 177.2, 177.3, 176.3, 177.85, 121.1,
81/86, 124.2, 125, 125.1, 177.1, 179, 160,
81/3.57, 3.55, 58.4, 58.3, 300, 58.1, 165-170,
81/110.1, 124.6, 176.15, 121.7, 436, 437,
81/186, 177.8, 177.7, 490; 81/415-423,
81/427.5, 120, 166, 168, 169, 124.4, 58-63.2,
81/3.09; 16/429, 176.1, 125.1, 186, 176.2,
16/422; 140/119

See application file for complete search history.

(56) **References Cited**

U.S. PATENT DOCUMENTS

59,417	A *	11/1866	Graham	144/99
3,869,945	A *	3/1975	Zerver	81/125
4,602,534	A *	7/1986	Moeteli	81/177.85
D359,669	S *	6/1995	Splingaire	D8/29
5,448,930	A *	9/1995	Miner et al.	81/57.39
D398,823	S *	9/1998	Hsieh	D8/29

5,916,340	A *	6/1999	Forsyth	81/125
5,924,343	A *	7/1999	Bogni et al.	81/125
7,077,037	B2 *	7/2006	Shevela et al.	81/436
7,270,032	B1 *	9/2007	Hsieh	81/121.1
2006/0254394	A1 *	11/2006	Cantlon et al.	81/125
2006/0266166	A1 *	11/2006	Weber	81/184

* cited by examiner

Primary Examiner—Raphael Barkai

Assistant Examiner—Randall H Gholson

(74) *Attorney, Agent, or Firm*—Apex Juris, pllc; Tracy M. Heims

(57) **CLAIM**

The ornamental design of a hexagonal socket, as shown and described.

DESCRIPTION

FIG. 1 is a front perspective view of a hexagonal socket of my new design;

FIG. 2 is a front elevational view thereof;

FIG. 3 is a rear elevational view thereof;

FIG. 4 is a side elevational view thereof, the opposite side elevational view being a mirror image thereof;

FIG. 5 is a top plan view thereof;

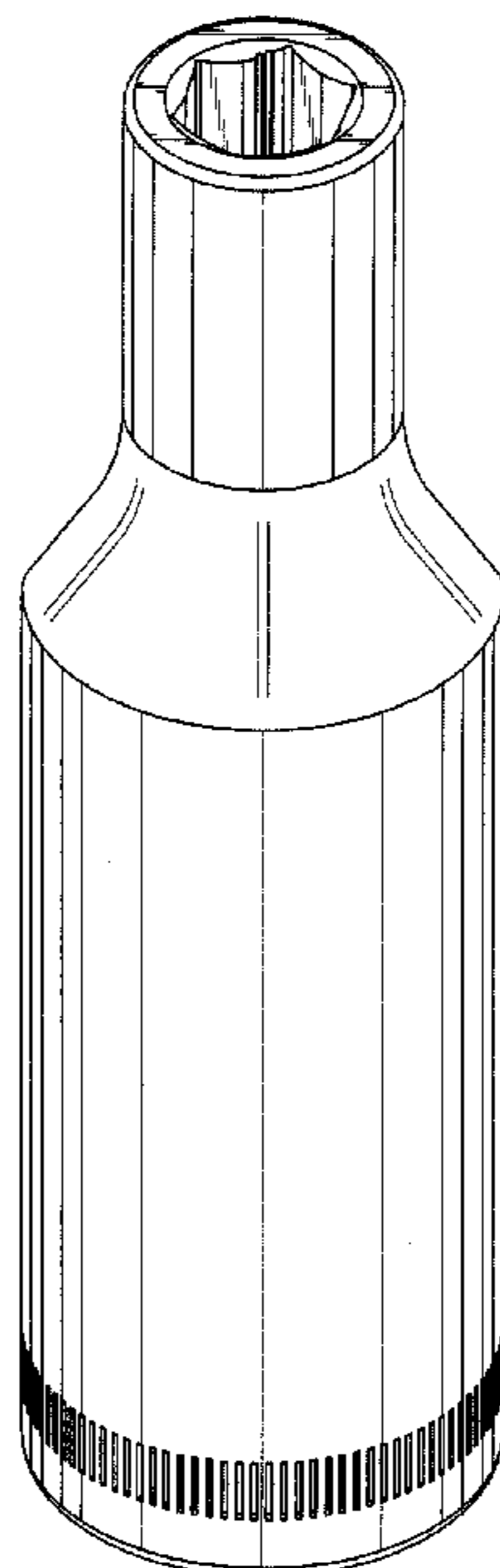
FIG. 6 is a bottom plan view thereof;

FIG. 7 is an enlarged top plan view of the section 7 of FIG. 5;

FIG. 8 is an enlarged bottom plan view of the section 8 of FIG. 6; and,

FIG. 9 is an enlarged side elevational view of the section 9 of FIG. 4.

1 Claim, 9 Drawing Sheets



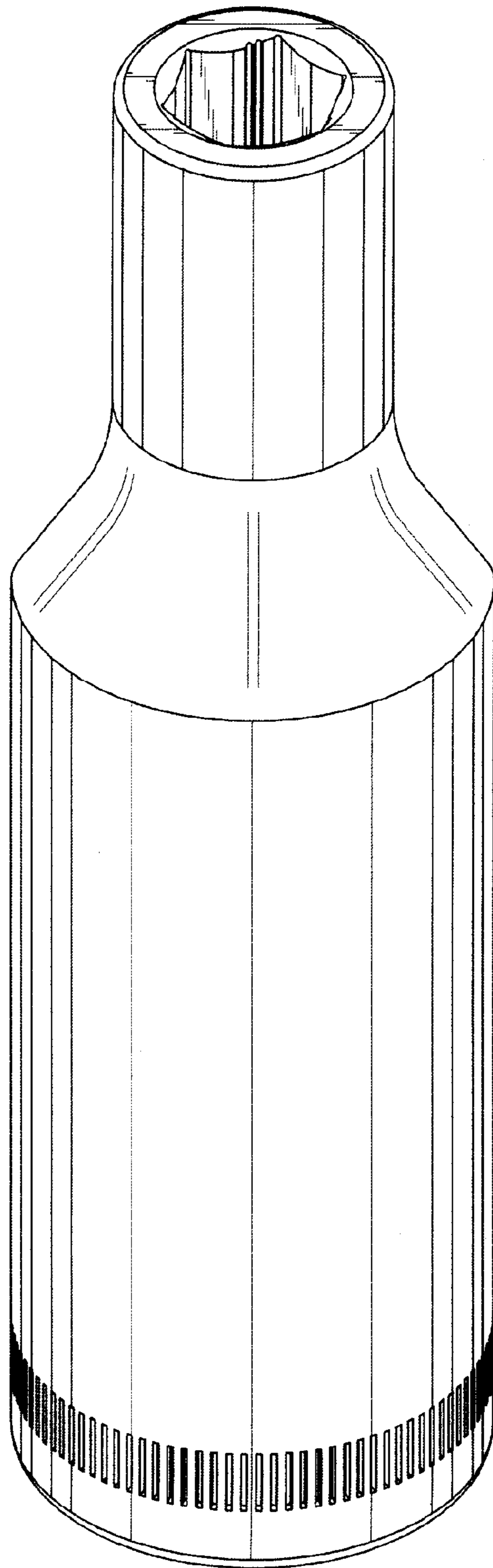


FIG. 1

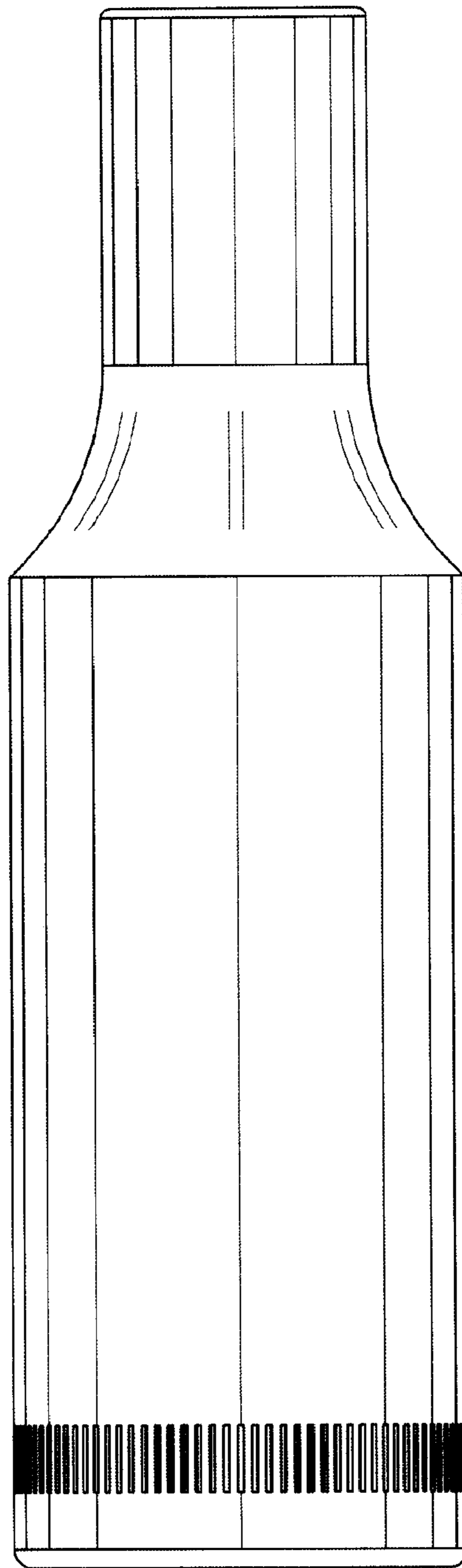


FIG. 2

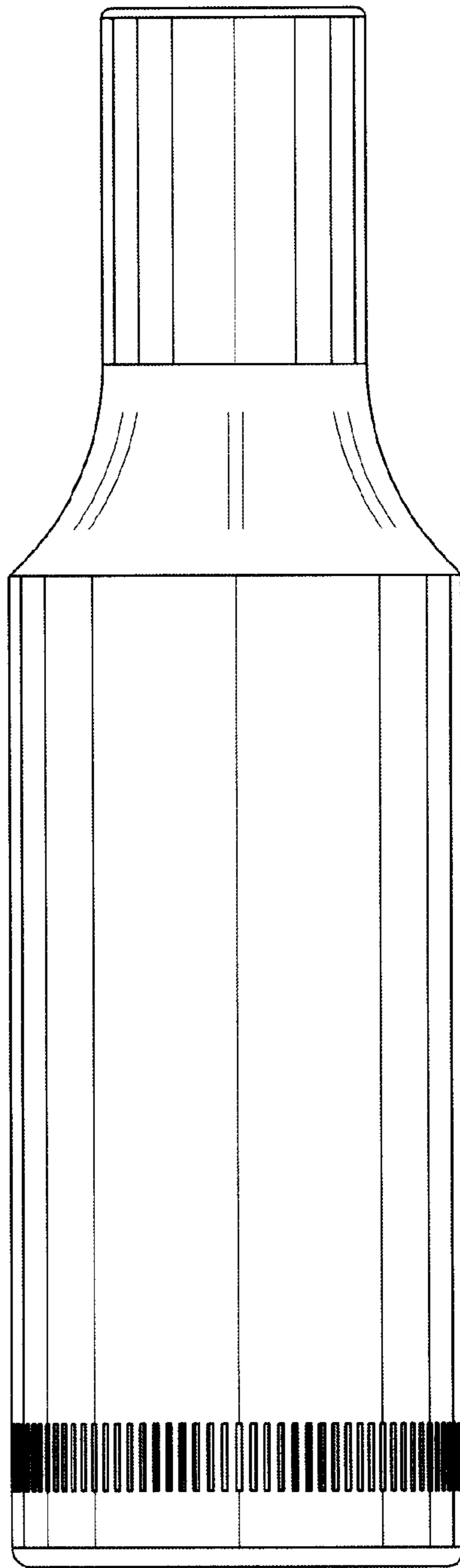


FIG. 3

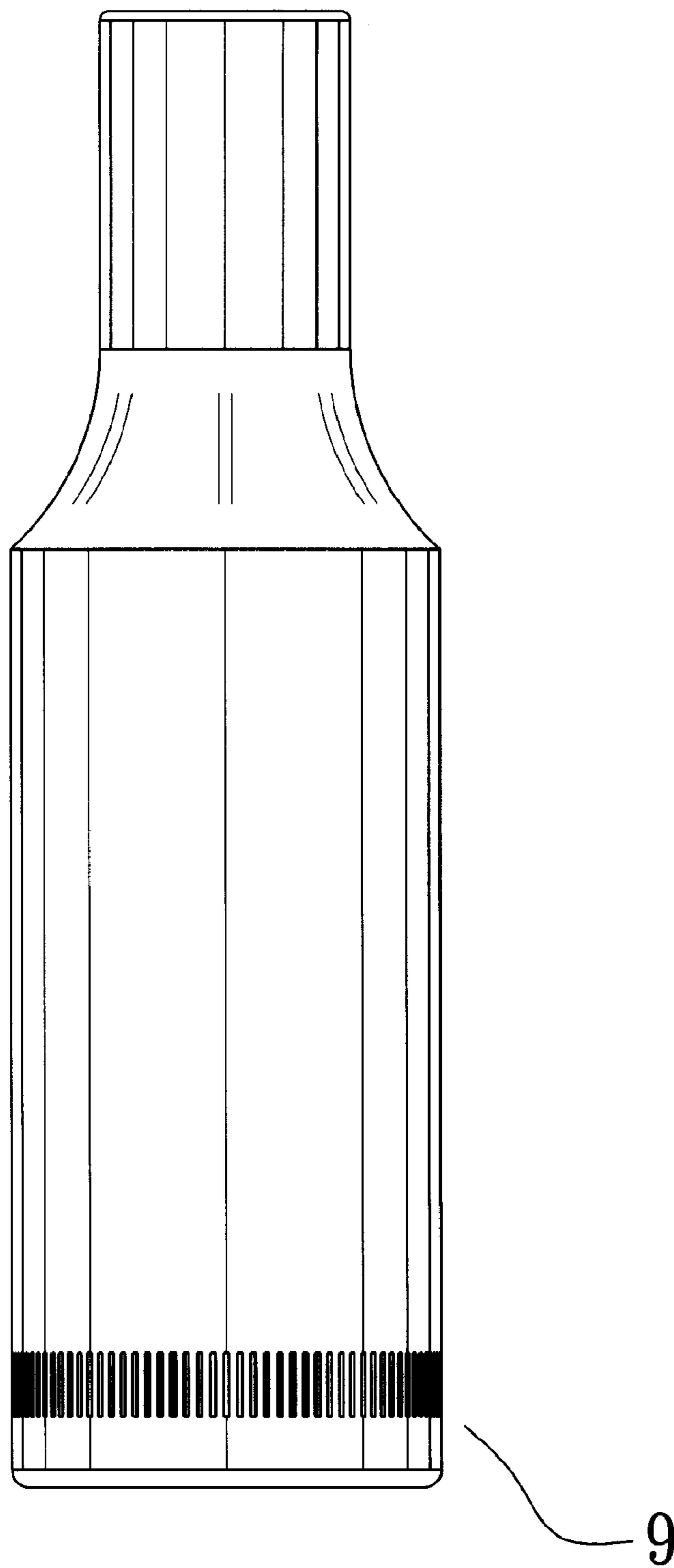


FIG. 4

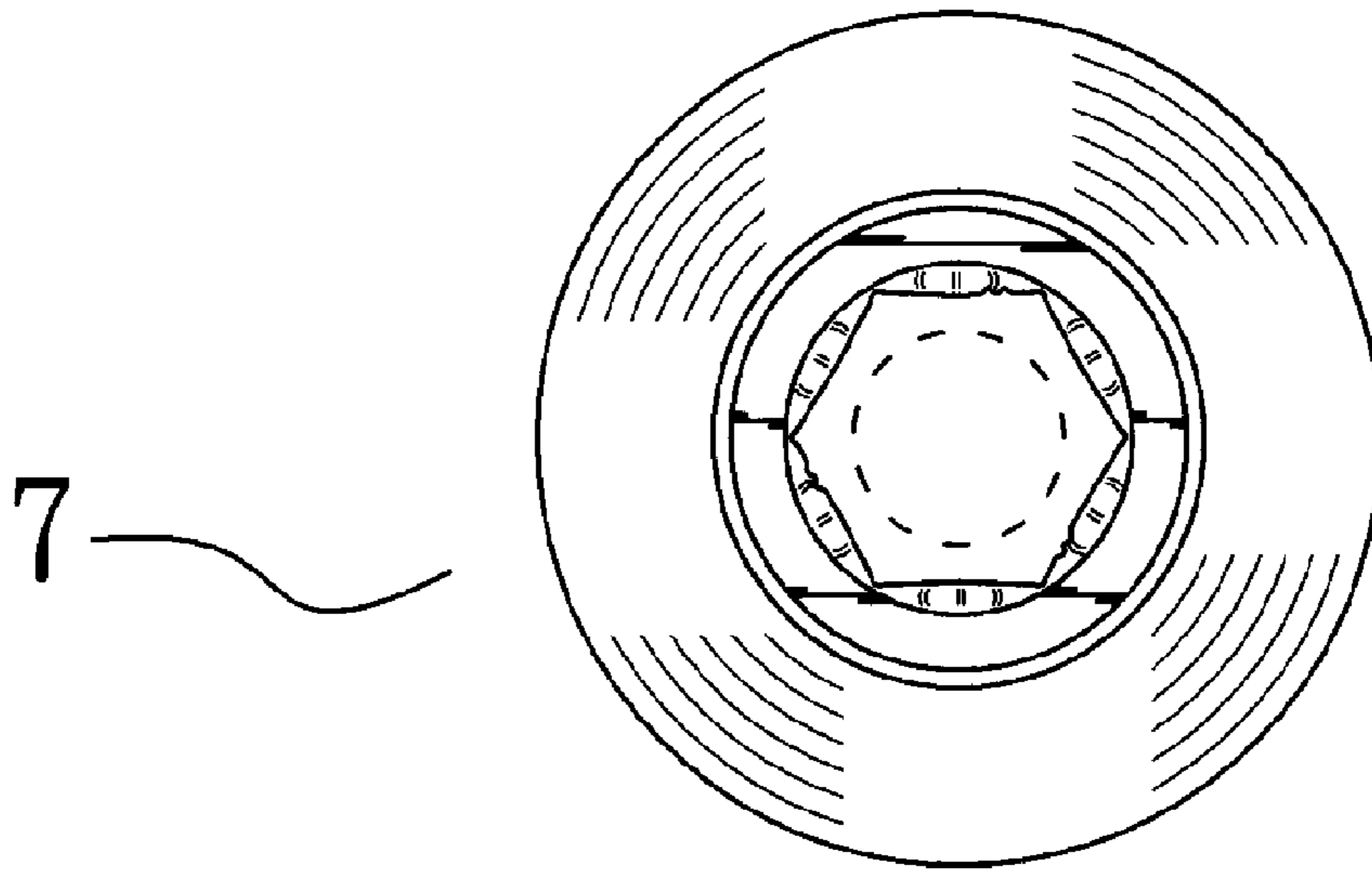


FIG. 5

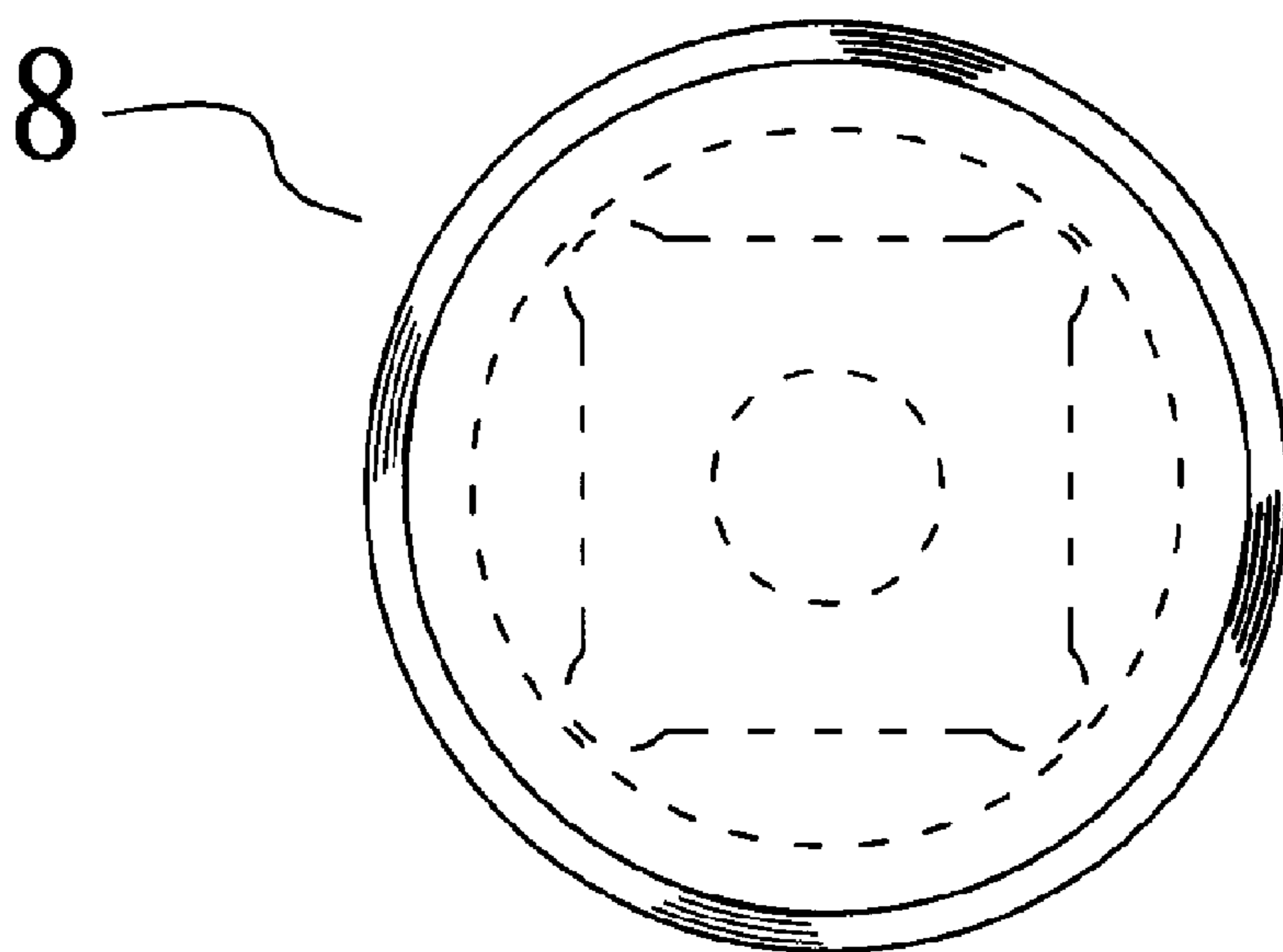


FIG. 6

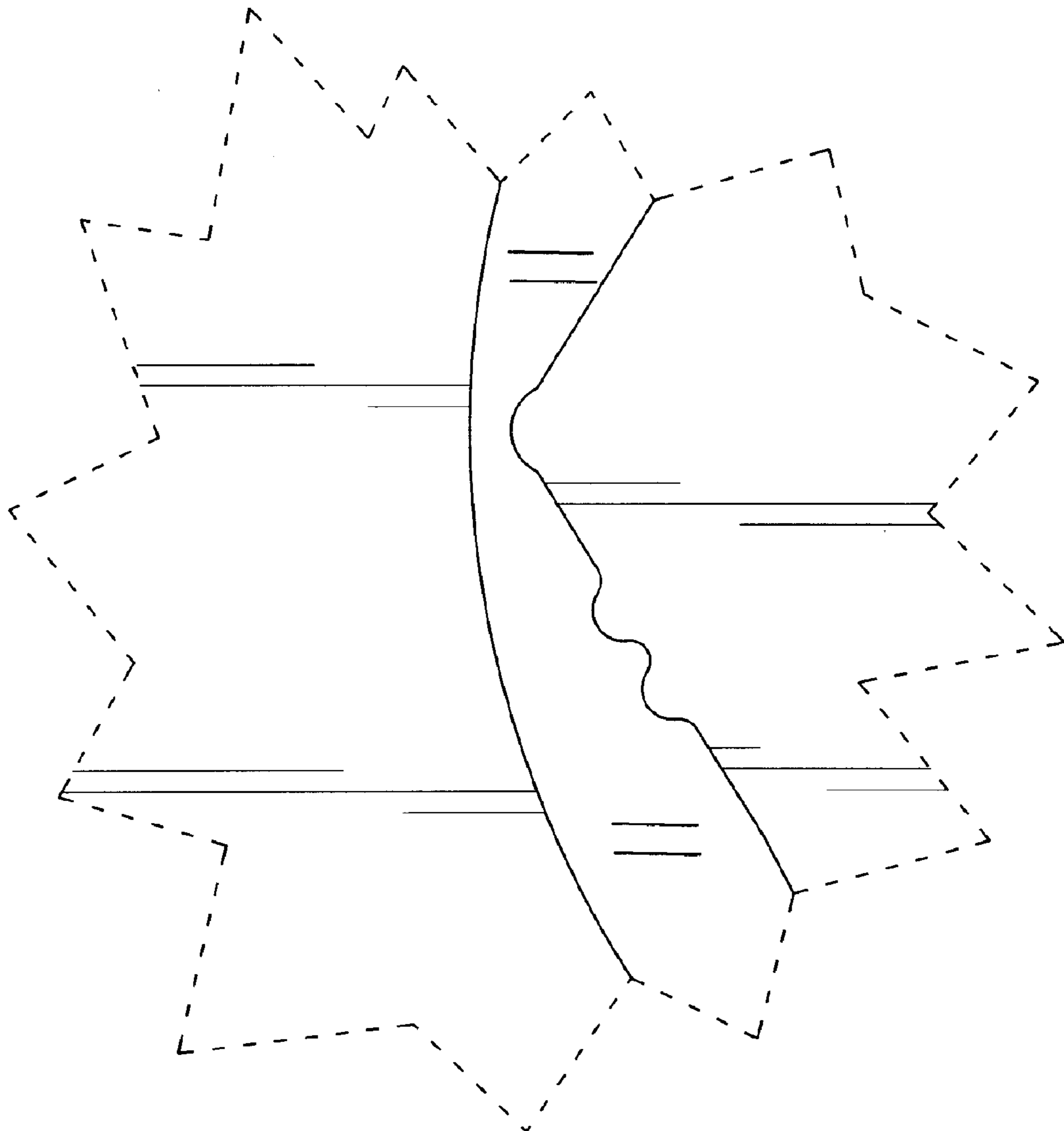


FIG. 7

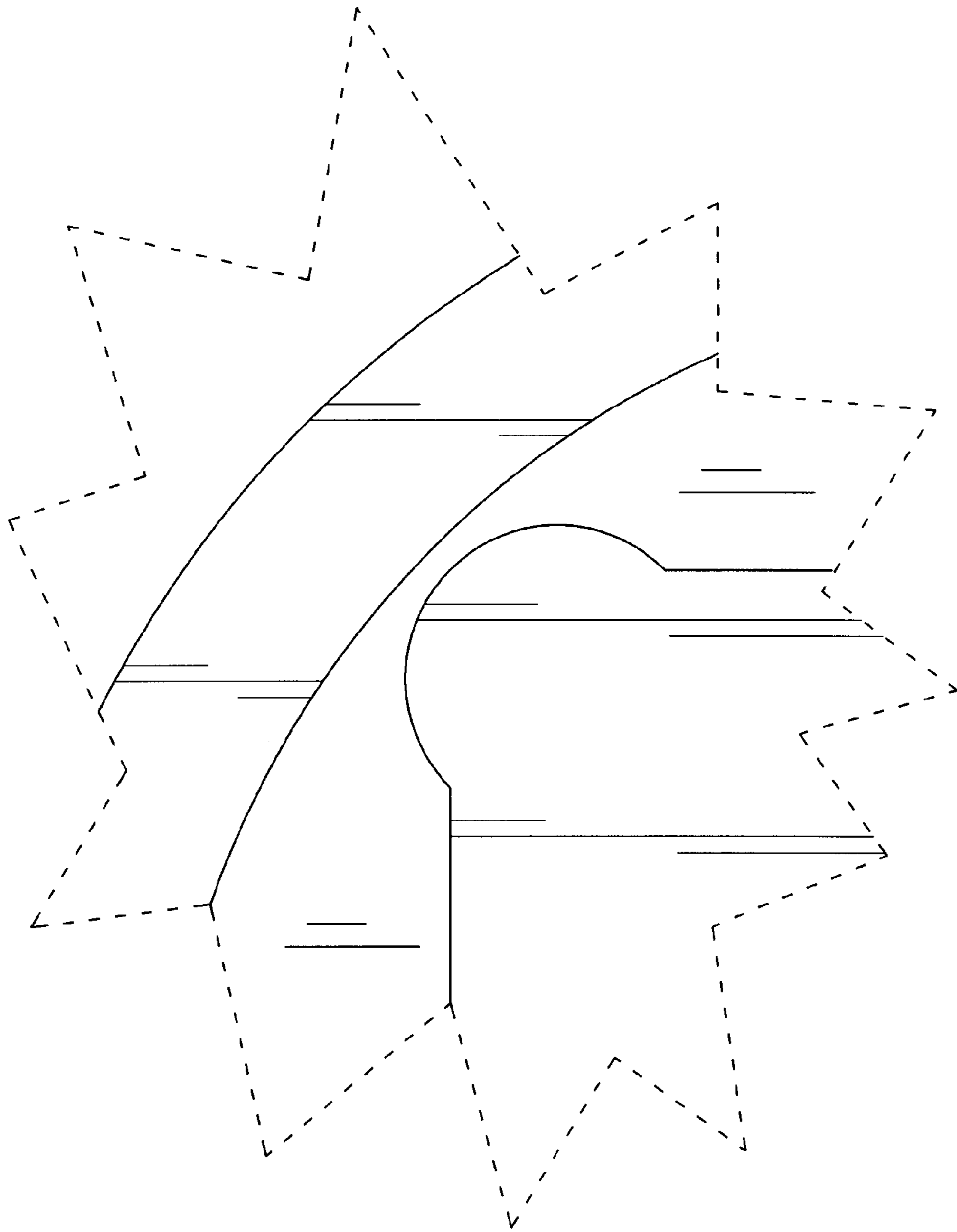


FIG. 8

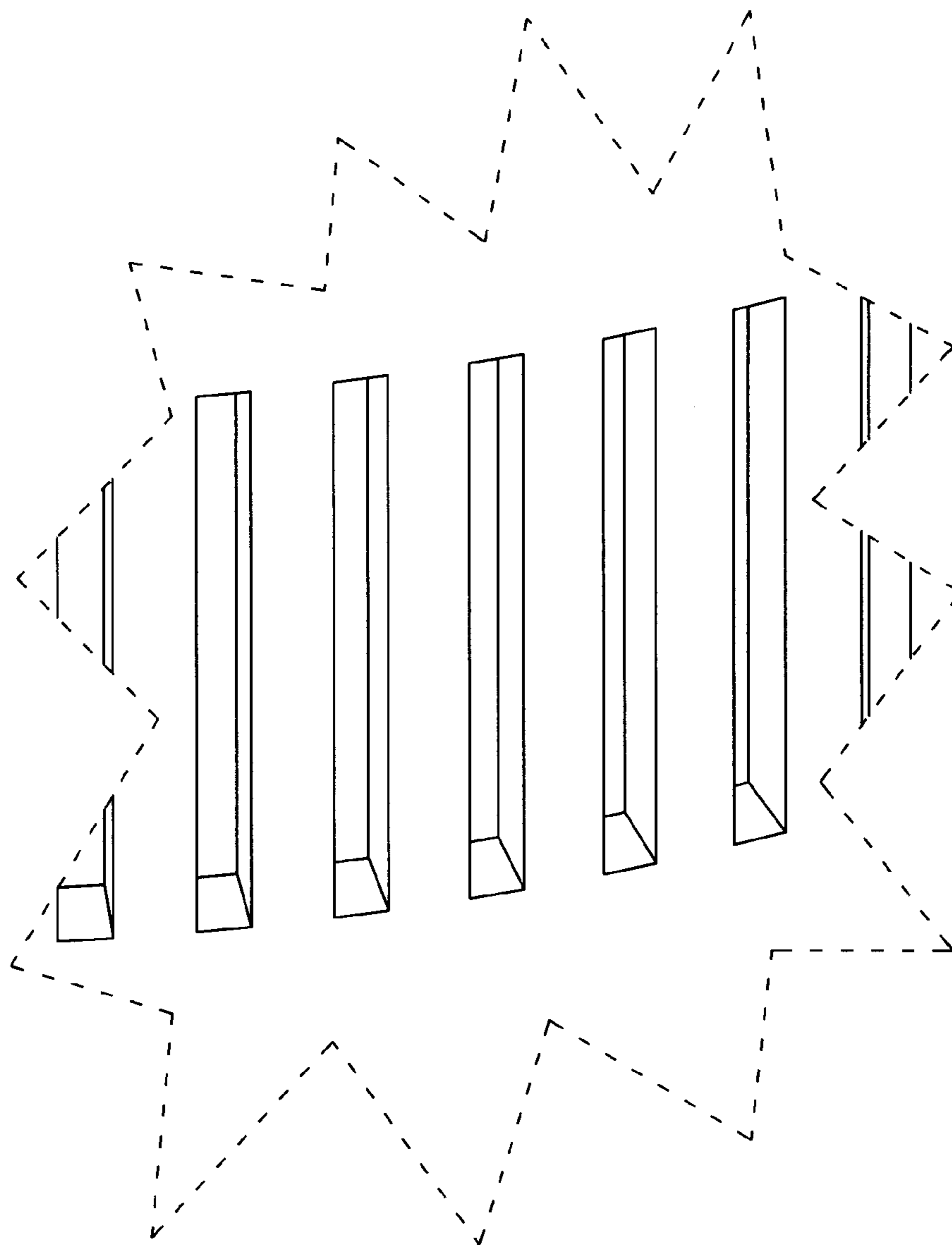


FIG. 9