

US00D567601S

(12) **United States Design Patent** (10) **Patent No.:** **US D567,601 S**
Klecker et al. (45) **Date of Patent:** **** Apr. 29, 2008**

(54) **MULTIPURPOSE TOOL INCLUDING BYPASS PRUNER**

2,295,385 A 9/1942 Connors

(Continued)

(75) Inventors: **Glenn A. Klecker**, Silverton, OR (US);
Hollan A. Tsuda, Portland, OR (US)

FOREIGN PATENT DOCUMENTS

DE 30788 3/1885

(73) Assignee: **Leatherman Tool Group, Inc.**,
Portland, OR (US)

(Continued)

(**) Term: **14 Years**

OTHER PUBLICATIONS

(21) Appl. No.: **29/273,641**

R.C.E., Magnum Fish Tail Holder, Photocopy of packaging and digital photographs of product, at least as early as 1990, 5 pages.

(22) Filed: **Mar. 9, 2007**

(Continued)

(51) **LOC (8) Cl.** **08-01**

Primary Examiner—Holly H. Baynham

(52) **U.S. Cl.** **D8/5**

Assistant Examiner—Sheryl Friedman

(58) **Field of Classification Search** D8/5,
D8/4, 57, 9; 30/261, 262, 194

(74) *Attorney, Agent, or Firm*—Chernoff, Vilhauer,
McClung & Stenzel, LLP

See application file for complete search history.

(57) **CLAIM**

(56) **References Cited**

The ornamental design for a multipurpose tool including bypass pruner, as shown and described.

U.S. PATENT DOCUMENTS

DESCRIPTION

148,488 A	3/1874	Mosher
205,108 A	6/1878	Locke
310,439 A	1/1885	Kamak
403,500 A	5/1889	Wingenroth
405,642 A	6/1889	Woodle
406,524 A	7/1889	Jennings
459,409 A	9/1891	Maltby
486,560 A	11/1892	Dinkel
516,389 A	3/1894	Crutsinger
569,284 A	10/1896	Jacks
614,167 A	11/1898	Gardella
660,288 A	10/1900	Broadbooks
799,617 A	9/1905	Steffa
835,791 A	11/1906	Kelly
867,514 A	10/1907	King
887,494 A	5/1908	Mulertz
1,196,278 A	8/1916	Poole
1,242,645 A	10/1917	Bockstahler
1,287,637 A	12/1918	Cobb
1,426,214 A	8/1922	Rausse
1,634,848 A	7/1927	Perrakis
1,666,253 A	4/1928	Blincoe
1,944,116 A	1/1934	Stratman

FIG. 1 is an isometric view taken from the upper right front of a multipurpose tool including bypass pruner embodying our new design;

FIG. 2 is an isometric view taken from the lower left rear thereof;

FIG. 3 is a right side elevational view thereof;

FIG. 4 is a left side elevational view thereof;

FIG. 5 is a top plan view thereof;

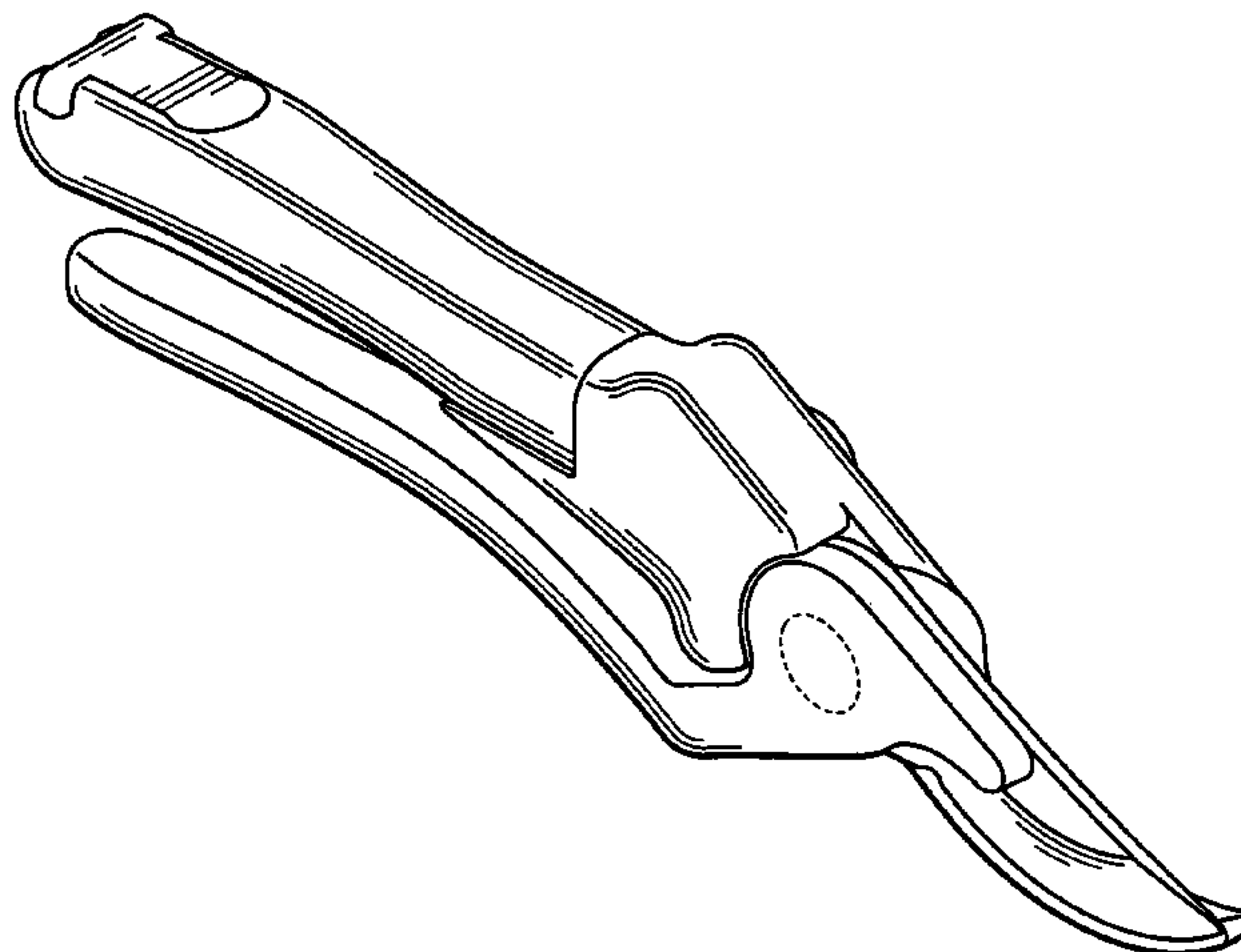
FIG. 6 is a bottom plan view thereof;

FIG. 7 is a front elevational view thereof; and,

FIG. 8 is a rear elevational view thereof.

Folded tool blades are shown in broken line for illustrative purposes and form no part of the claimed design. The broken lines immediately adjacent to the shaded areas represent unclaimed boundaries of the design.

1 Claim, 4 Drawing Sheets



US D567,601 S

U.S. PATENT DOCUMENTS

2,310,959	A	2/1943	James	
2,407,237	A	9/1946	Keiser, Jr.	
2,439,071	A	4/1948	Basham	
2,504,447	A	4/1950	Polincovsky	
2,574,354	A	11/1951	Smith	
2,650,423	A	9/1953	Phillips	
2,662,286	A	12/1953	Yeomans	
2,674,796	A	4/1954	Herold	
2,721,386	A	10/1955	Habart	
2,821,018	A	1/1958	Schwieso	
2,938,266	A	5/1960	Klein, Jr.	
3,100,343	A	8/1963	Wessel	
3,357,287	A	12/1967	Wertepny, Sr.	
3,572,192	A	3/1971	Juras	
3,775,846	A	12/1973	Johnson	
3,851,389	A	12/1974	Swanson	
3,869,793	A	3/1975	Ferguson	
4,079,513	A	3/1978	Harrison	
4,094,064	A	6/1978	Nishikawa et al.	
4,099,326	A	7/1978	Mori et al.	
4,114,268	A	9/1978	Hildebrandt et al.	
4,117,592	A	10/1978	Mori et al.	
4,169,312	A	10/1979	Mar	
4,233,737	A	11/1980	Poehlmann	
4,238,862	A	12/1980	Leatherman	
4,283,854	A	8/1981	Austin	
4,391,043	A	7/1983	Sizemore et al.	
4,888,869	A	12/1989	Leatherman	
4,891,882	A	1/1990	Bloom et al.	
D305,858	S *	2/1990	Ishida et al.	D8/5
4,947,553	A	8/1990	Bendickson et al.	
4,995,128	A	2/1991	Montgomery et al.	
5,014,379	A	5/1991	Hull et al.	
5,033,140	A	7/1991	Chen et al.	
5,095,624	A	3/1992	Ennis	
5,159,757	A	11/1992	Weid et al.	
5,189,794	A	3/1993	Kuo	
5,203,084	A	4/1993	Kuo	
5,243,762	A	9/1993	Orthey	
5,245,721	A	9/1993	Lowe et al.	
D341,526	S *	11/1993	Clivio	D8/5
5,263,254	A	11/1993	Orthey	
5,272,810	A	12/1993	Orthey	
5,280,659	A	1/1994	Park	
5,303,475	A	4/1994	Baker	
5,359,778	A	11/1994	Seber et al.	
D353,524	S *	12/1994	Her	D8/5
5,436,857	A	7/1995	Linden	
5,461,784	A	10/1995	Baron	
5,483,747	A	1/1996	Thompson et al.	
5,485,677	A	1/1996	Seber	
5,511,310	A	4/1996	Sessions et al.	
5,581,895	A	12/1996	Jeffcoat	
5,621,974	A	4/1997	Rose et al.	
5,628,115	A	5/1997	Hebert	
5,653,525	A	8/1997	Park	
5,692,304	A	12/1997	Campbell	
5,697,114	A	12/1997	McIntosh et al.	
5,711,194	A	1/1998	Anderson et al.	
5,745,997	A	5/1998	Berg et al.	
5,761,815	A	6/1998	Lin	
5,765,247	A	6/1998	Seber et al.	
5,781,950	A	7/1998	Swinden et al.	
5,799,400	A	9/1998	Glesser	
5,809,600	A	9/1998	Cachot	
5,822,867	A	10/1998	Sakai	
5,857,268	A	1/1999	Park	
D407,286	S	3/1999	Seber et al.	
5,930,900	A	8/1999	Chang	
5,933,893	A	8/1999	Padden	
5,946,752	A	9/1999	Parrish	

5,950,314	A	9/1999	Chang	
5,960,498	A	10/1999	Nabors et al.	
5,978,993	A	11/1999	Rivera	
5,979,059	A	11/1999	Leatherman et al.	
6,009,582	A	1/2000	Harrison et al.	
6,014,787	A	1/2000	Rivera	
6,038,723	A	3/2000	Nabors et al.	
6,065,213	A	5/2000	Rivera	
6,088,861	A	7/2000	Sessions et al.	
6,098,225	A	8/2000	McIntosh et al.	
6,108,845	A	8/2000	Hung et al.	
D433,888	S *	11/2000	Choi	D8/5
6,151,999	A	11/2000	Eklind	
6,233,769	B1	5/2001	Seber et al.	
6,243,901	B1	6/2001	Elsener et al.	
6,249,977	B1	6/2001	Knoop	
6,282,996	B1	9/2001	Berg et al.	
6,286,397	B1	9/2001	Taggart et al.	
6,289,768	B1	9/2001	Anderson et al.	
6,301,787	B2	10/2001	Mock	
6,305,041	B1	10/2001	Montague et al.	
6,336,272	B1	1/2002	Lee	
6,357,068	B1	3/2002	Seber et al.	
6,389,625	B1	5/2002	Rivera	
6,397,709	B1	6/2002	Wall	
6,418,626	B1	7/2002	Jang	
6,430,768	B2	8/2002	McIntosh et al.	
6,438,848	B1	8/2002	McHenry et al.	
6,446,344	B1	9/2002	Gontar	
6,481,034	B2	11/2002	Elsener et al.	
6,487,740	B2	12/2002	Seber et al.	
6,510,767	B1	1/2003	Rivera	
D472,433	S *	4/2003	Richwine et al.	D8/5
6,574,868	B1	6/2003	Overholt	
6,622,327	B1	9/2003	Rivera	
6,622,328	B2	9/2003	Rivera	
6,625,832	B2	9/2003	Montague et al.	
6,625,888	B2	9/2003	Heck et al.	
6,634,105	B2	10/2003	Lindermeir	
6,691,357	B2	2/2004	Rivera	
6,763,543	B2	7/2004	Rivera	
D501,378	S *	2/2005	Tatic	D8/5
D503,595	S *	4/2005	Lipscomb et al.	D8/5
6,990,702	B2	1/2006	Rivera	
7,051,627	B2	5/2006	Rivera	
2001/0018778	A1	9/2001	Montague et al.	
2002/0124415	A1	9/2002	Mizutani et al.	
2003/0014868	A1	1/2003	Cech et al.	
2003/0062055	A1	4/2003	Park	

FOREIGN PATENT DOCUMENTS

DE	145784	11/1903
DE	179077	11/1906
DE	2322229	5/1974
EP	0714736	6/1996
EP	0854014	7/1998
EP	0980742	2/2000
FR	2306050	10/1976
GB	5375	11/1882
GB	21369	3/1895
GB	15859	9/1904
JP	3041991	2/1991
WO	WO-98/18599	5/1998

OTHER PUBLICATIONS

“Fox Special” Folding Pliers, Digital photographs of product, at least as early as 1990, 12 pages.
 Bear MCG, MGC Cutlery Product Catalog, Item No. 444SR depicting a fixed blade knife combined with serrated edge and gut hook, at least as early as 1996, 20 pages.

US D567,601 S

Page 3

The Surecut Clipper Co., A Division of McGuire Industries, The Pocket Gardener, at least as early as Jan. 2003, photocopies of digital photographs taken of product and packaging, 13 pages.

Remington Arms, Co., Bird Hunters Tool, at least as early as Jan. 2003, photocopies of digital photos taken of product and packaging, 6 pages.

The Rumford Gardener, 8 in 1 Gardener Tool, at least as early as Aug. 2003, photocopies of digital photos taken of product and packaging, 8 pages.

* cited by examiner

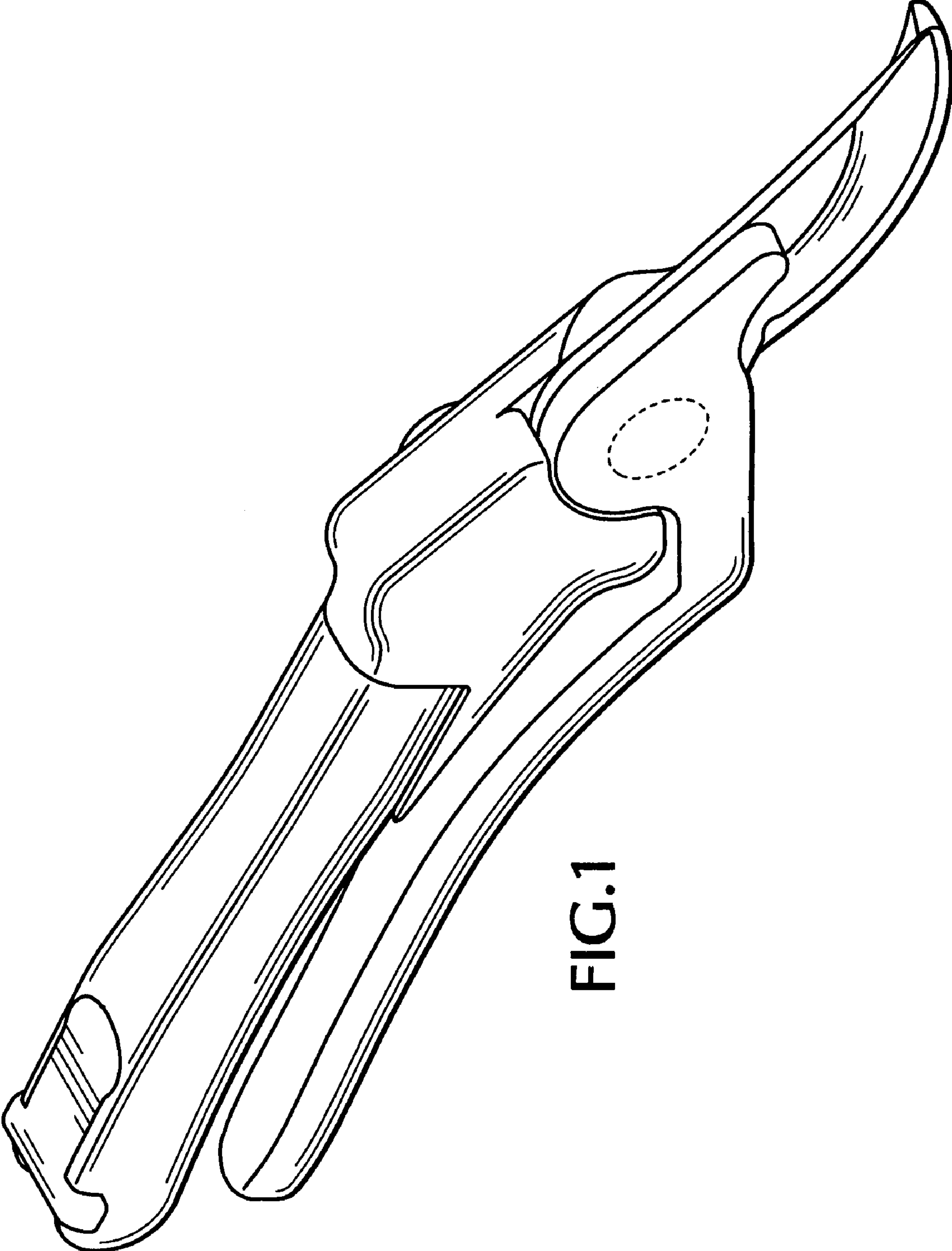


FIG. 1

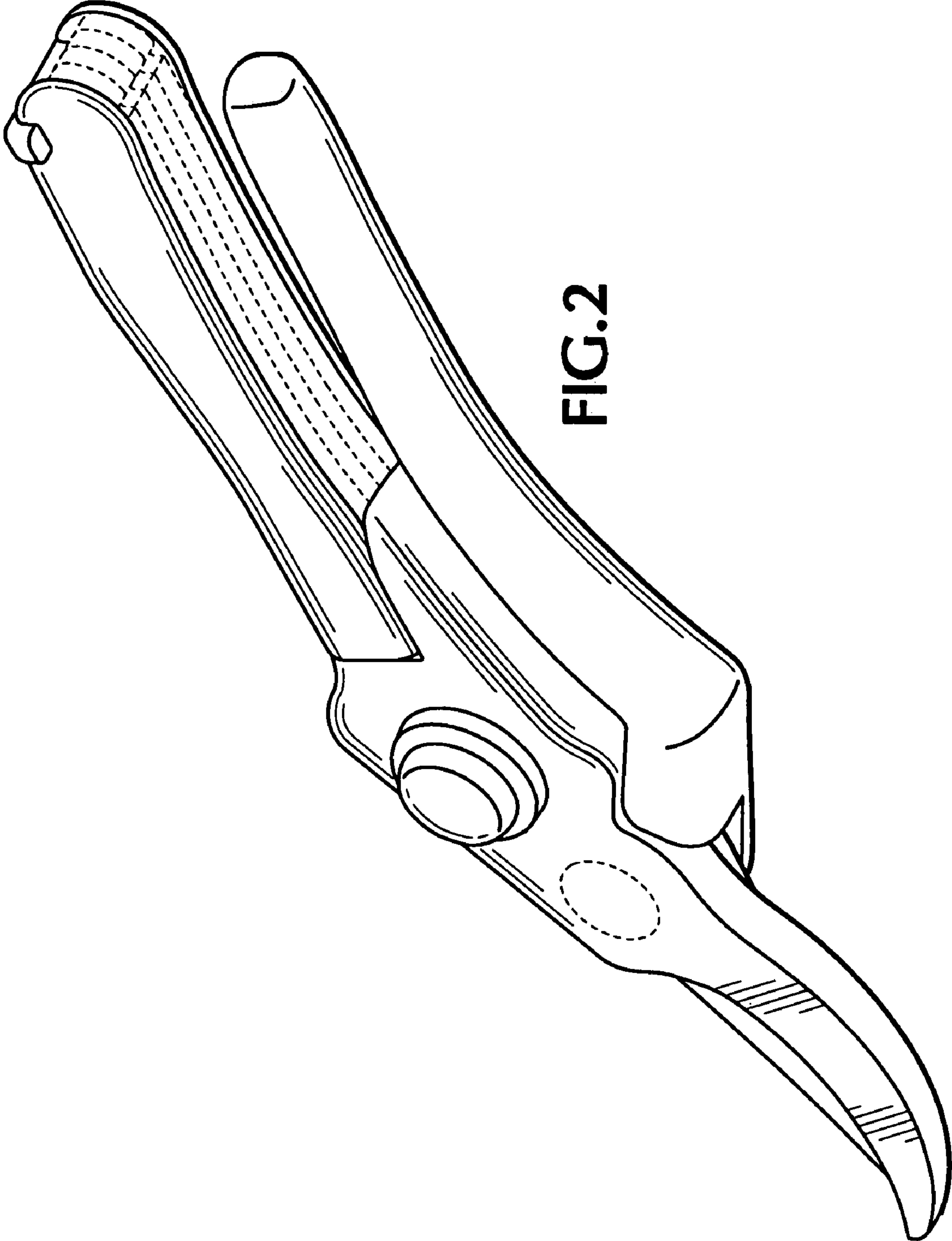


FIG.2

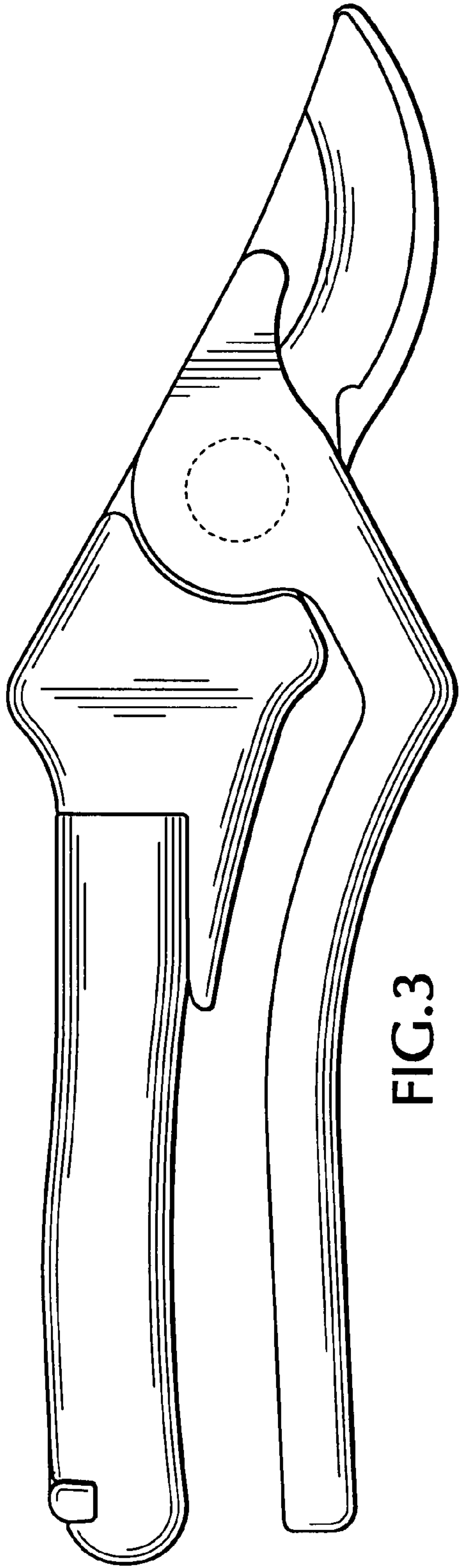


FIG. 3

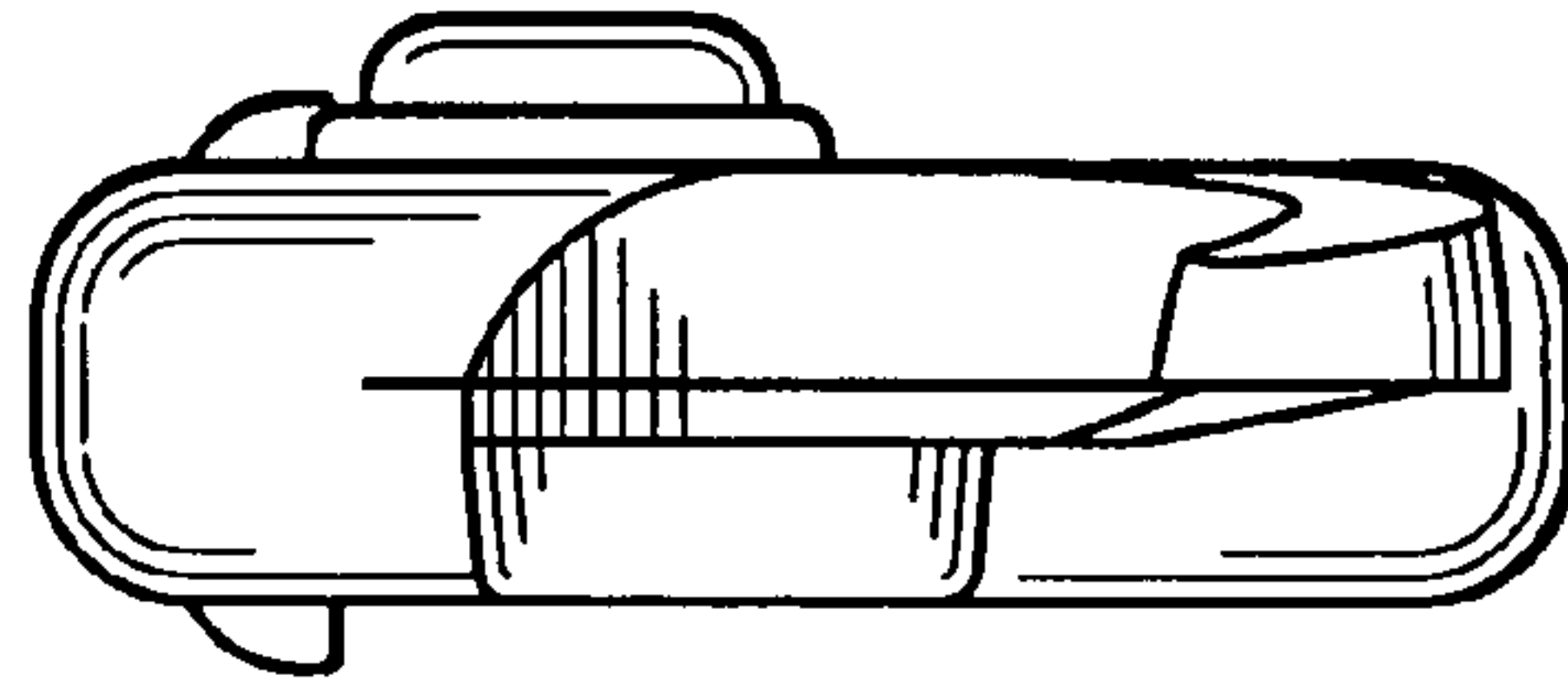


FIG. 7

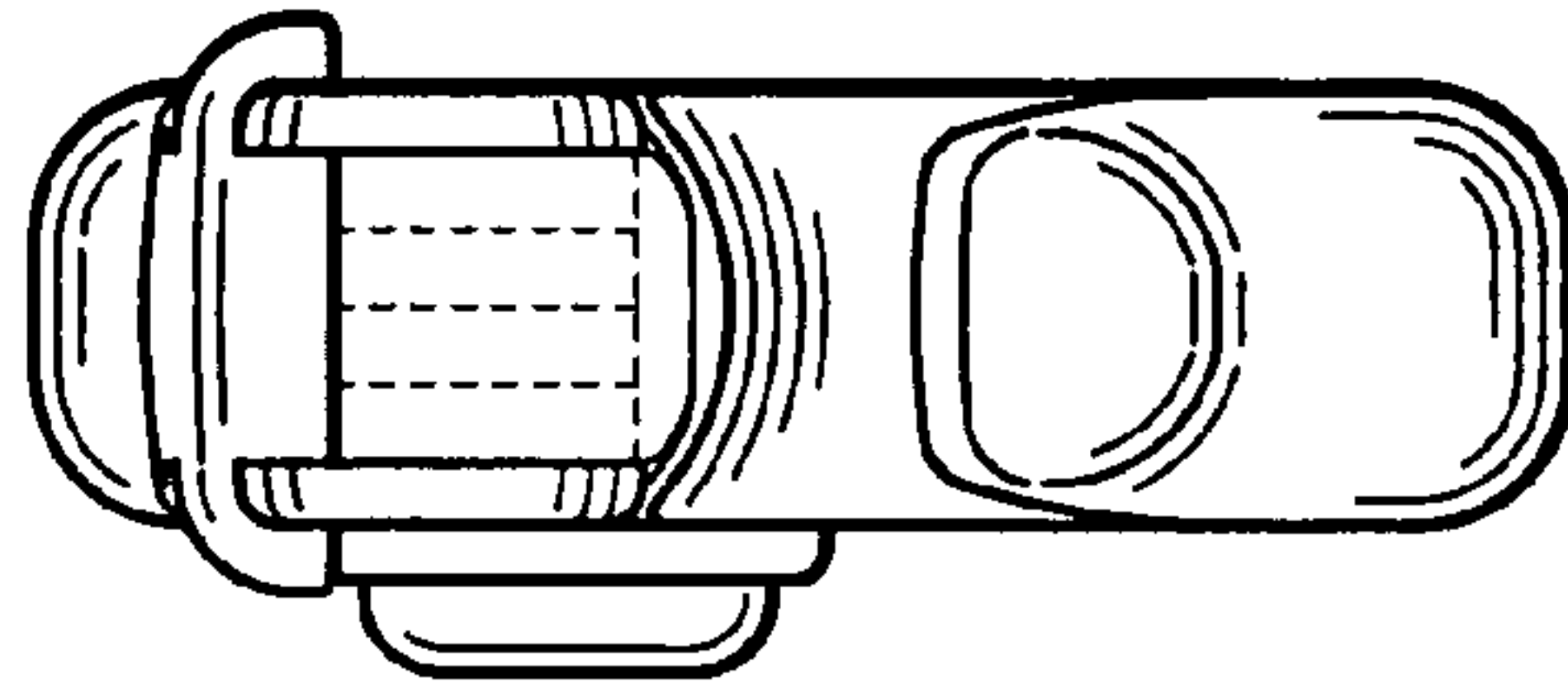


FIG. 8

