



US00D567594S

(12) **United States Design Patent**
Giovino

(10) **Patent No.:** **US D567,594 S**

(45) **Date of Patent:** **** Apr. 29, 2008**

(54) **PATIO COOLER**

(75) Inventor: **Christopher J. Giovino**, Randolph, NJ
(US)

(73) Assignee: **Sunjoy Industries Group, Inc.**,
Steubenville, OH (US)

(**) Term: **14 Years**

(21) Appl. No.: **29/280,489**

(22) Filed: **May 30, 2007**

(51) **LOC (8) Cl.** **07-01**

(52) **U.S. Cl.** **D7/605**

(58) **Field of Classification Search** D7/605-608;
D6/470-472; D15/79-84; 62/457.1-457.9,
62/246-254, 371, 372; 220/915.1, 915.2,
220/592.03, 592.09; D34/1; 312/114, 116,
312/117, 119

See application file for complete search history.

(56) **References Cited**

U.S. PATENT DOCUMENTS

- 3,591,194 A * 7/1971 Vega 62/457.1
- 4,581,902 A * 4/1986 Starck et al. 62/457.7
- D299,391 S * 1/1989 Meehan D6/440
- D401,479 S * 11/1998 Norman et al. D7/605
- D414,987 S * 10/1999 Moffett et al. D7/605
- D437,736 S * 2/2001 Moffett et al. D7/605
- D448,625 S * 10/2001 Moffett et al. D7/605

- 6,478,268 B1 * 11/2002 Bidwell et al. 62/457.1
- 6,612,127 B2 * 9/2003 Simmons 62/457.2
- 6,755,243 B2 * 6/2004 Cho et al. 165/289
- D520,305 S * 5/2006 Brodock et al. D7/605
- D525,084 S * 7/2006 Willis D7/605

* cited by examiner

Primary Examiner—Terry A Wallace

(74) *Attorney, Agent, or Firm*—Delevie Law, PLC

(57) **CLAIM**

The ornamental design for a patio cooler, as shown and described.

DESCRIPTION

FIG. 1 is a perspective view of a patio cooler in accordance with the invention;

FIG. 2 is a left side elevation of the patio cooler of FIG. 1;

FIG. 3 is a right side elevation of the patio cooler of FIG. 1;

FIG. 4 is a front elevation of the patio cooler of FIG. 1;

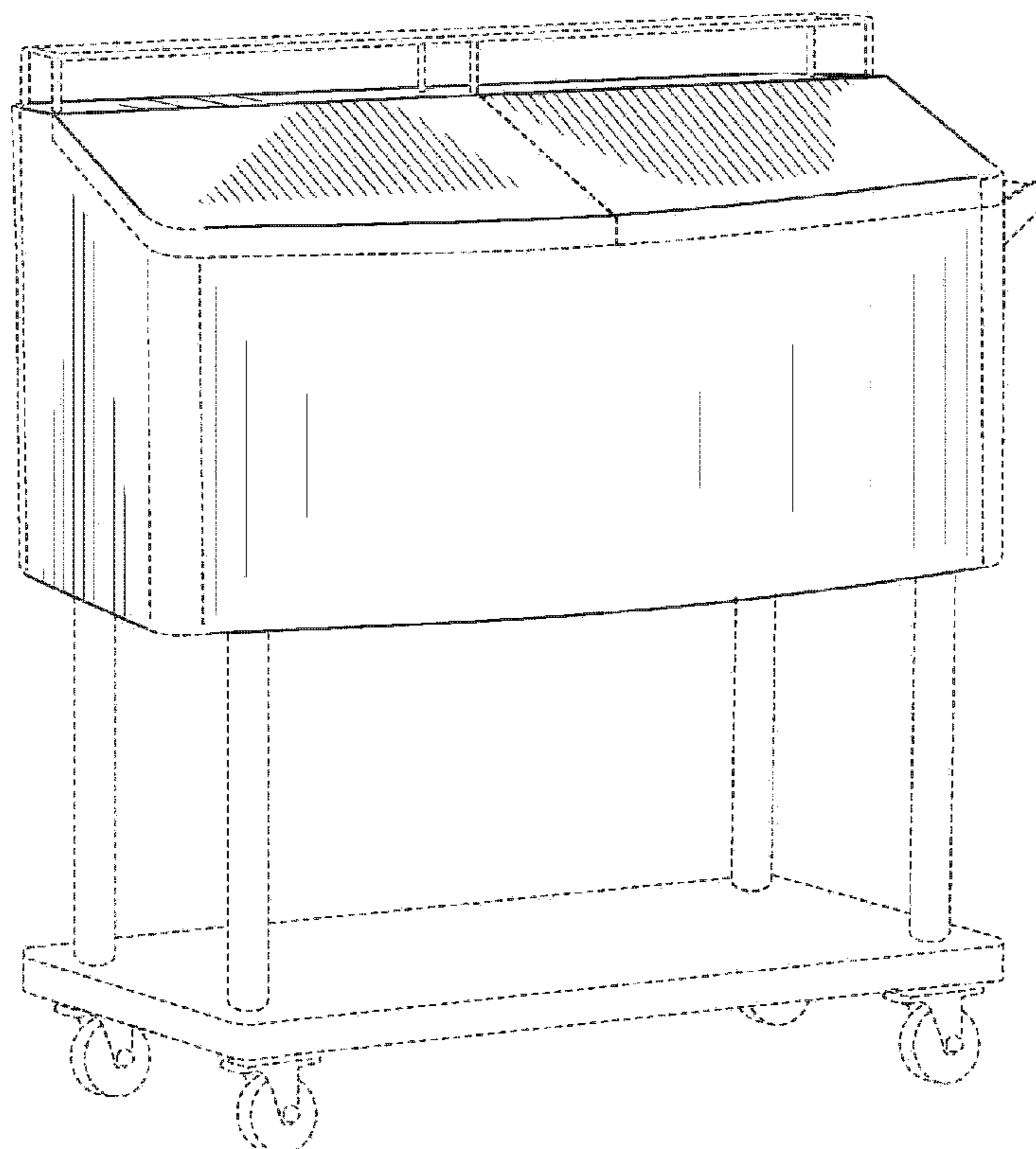
FIG. 5 is a rear elevation of the patio cooler of FIG. 1;

FIG. 6 is a top plan view of the patio cooler of FIG. 1; and,

FIG. 7 is a bottom view of the patio cooler of FIG. 1.

Broken lines are used in the Drawings to denote certain subject matter, for example, environmental structure or boundaries, that are for illustrative purposes only and form no part of the claimed design.

1 Claim, 7 Drawing Sheets



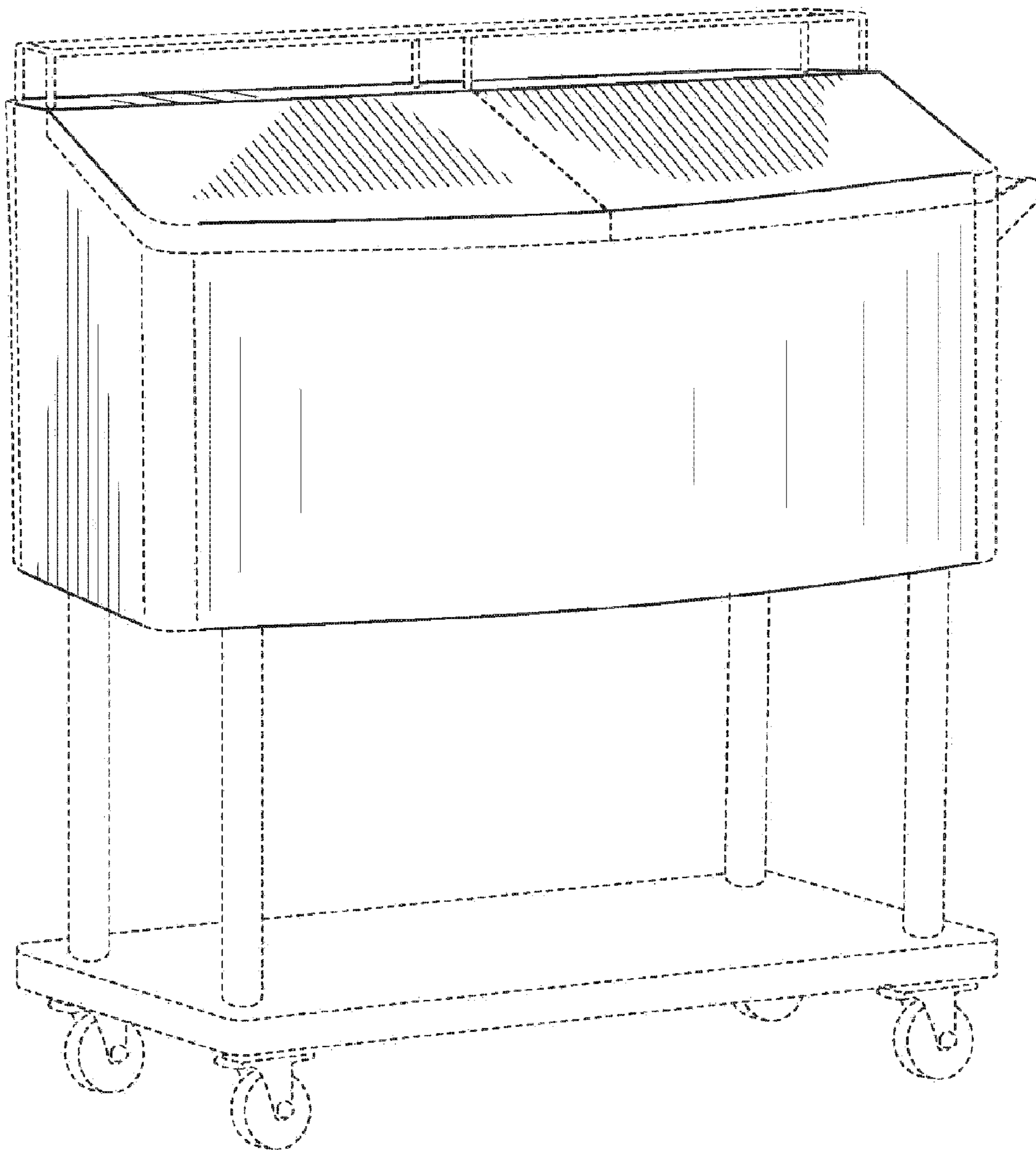


FIG. 1

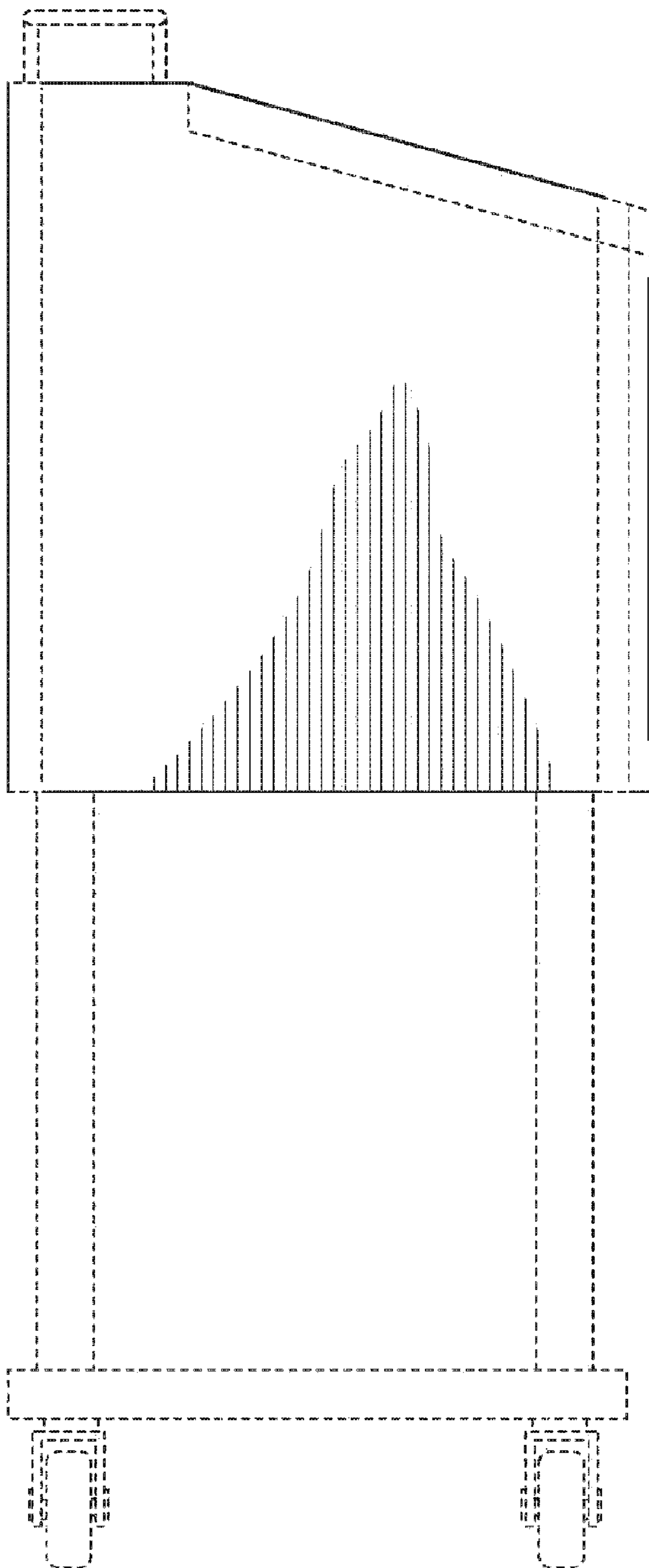


FIG. 2

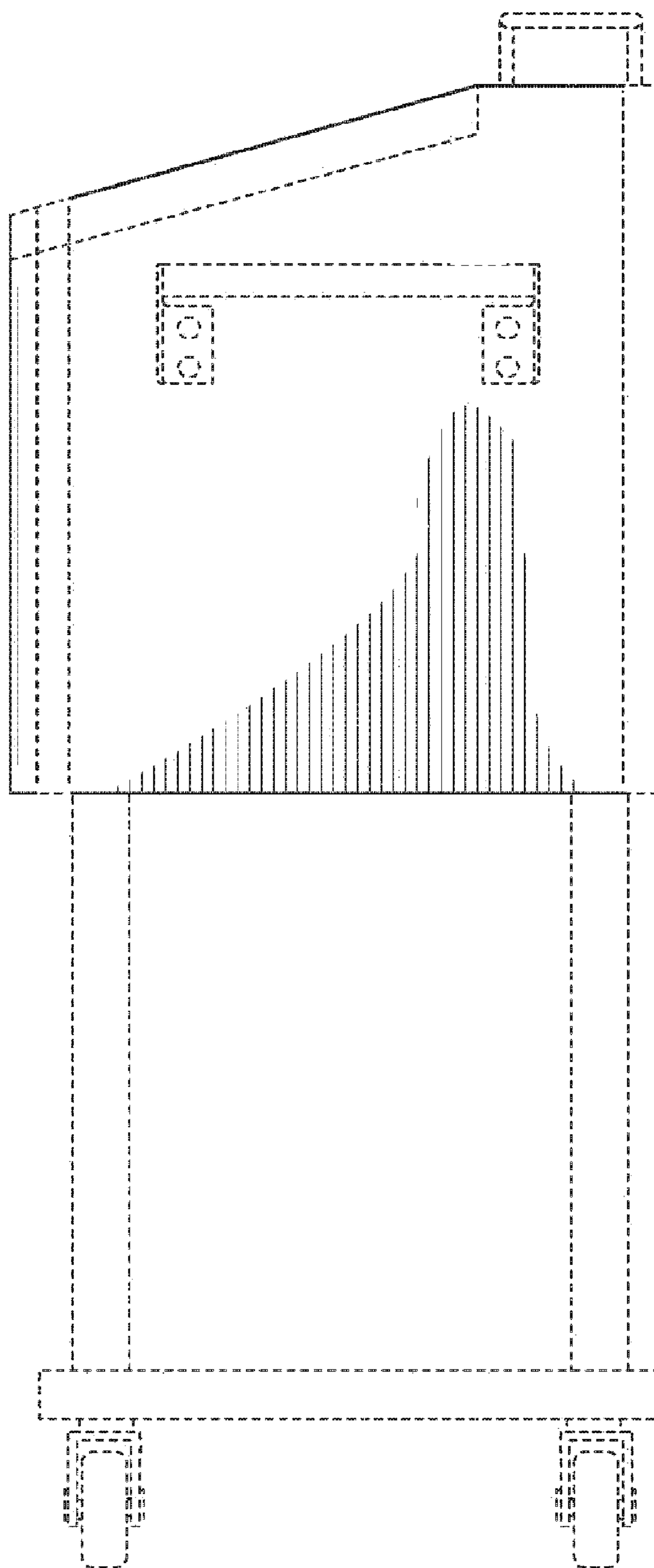


FIG. 3

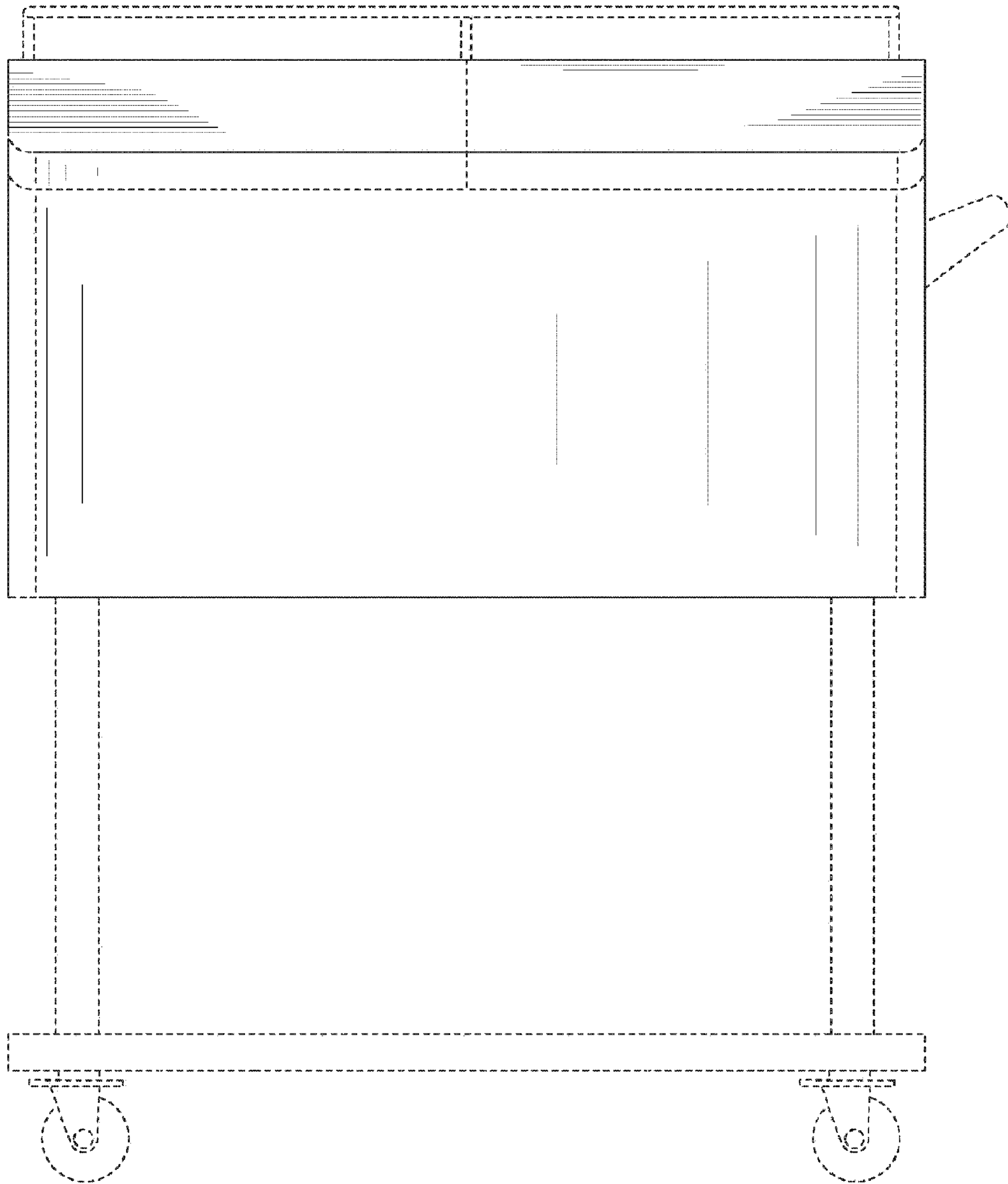


FIG. 4

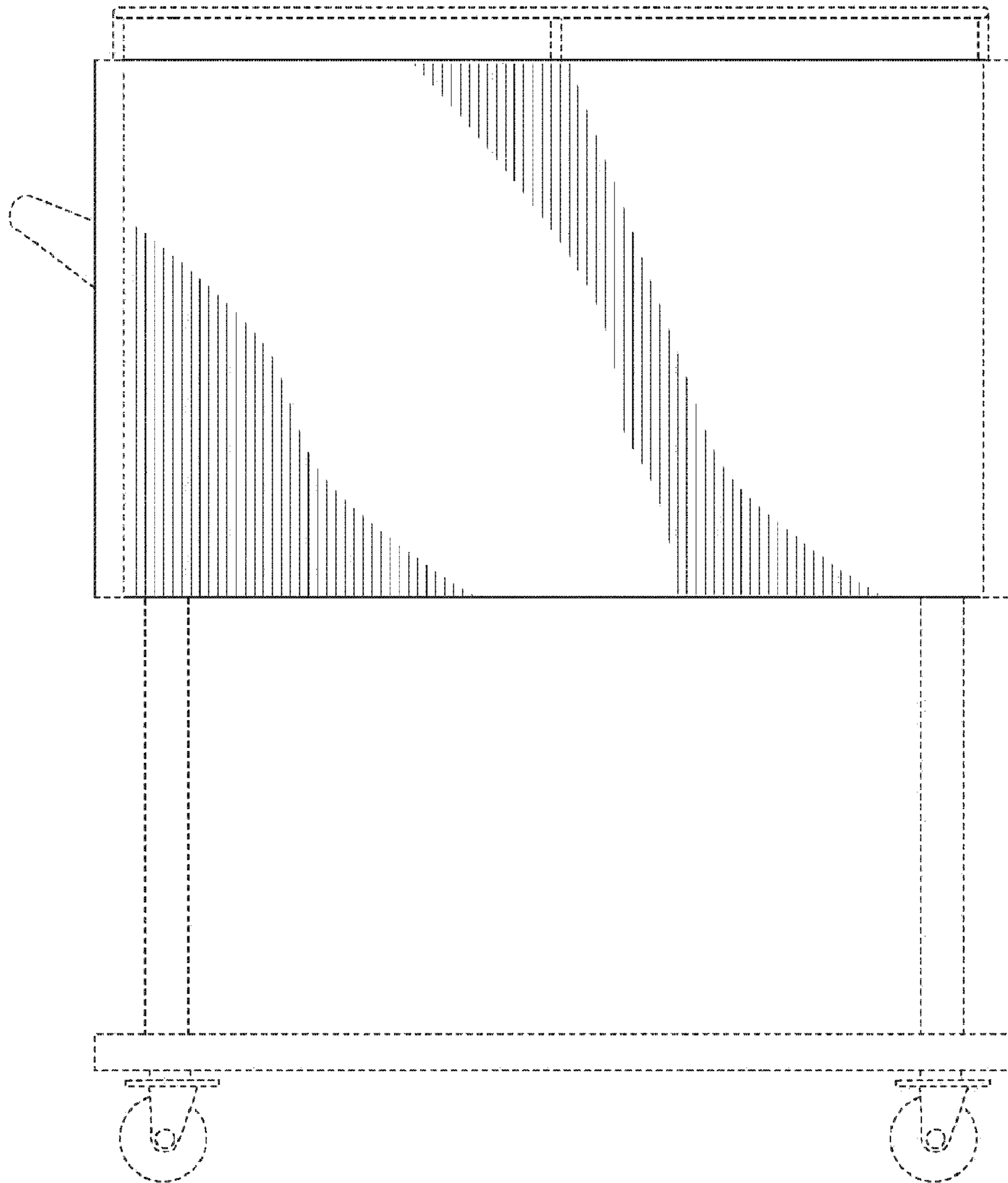


FIG. 5

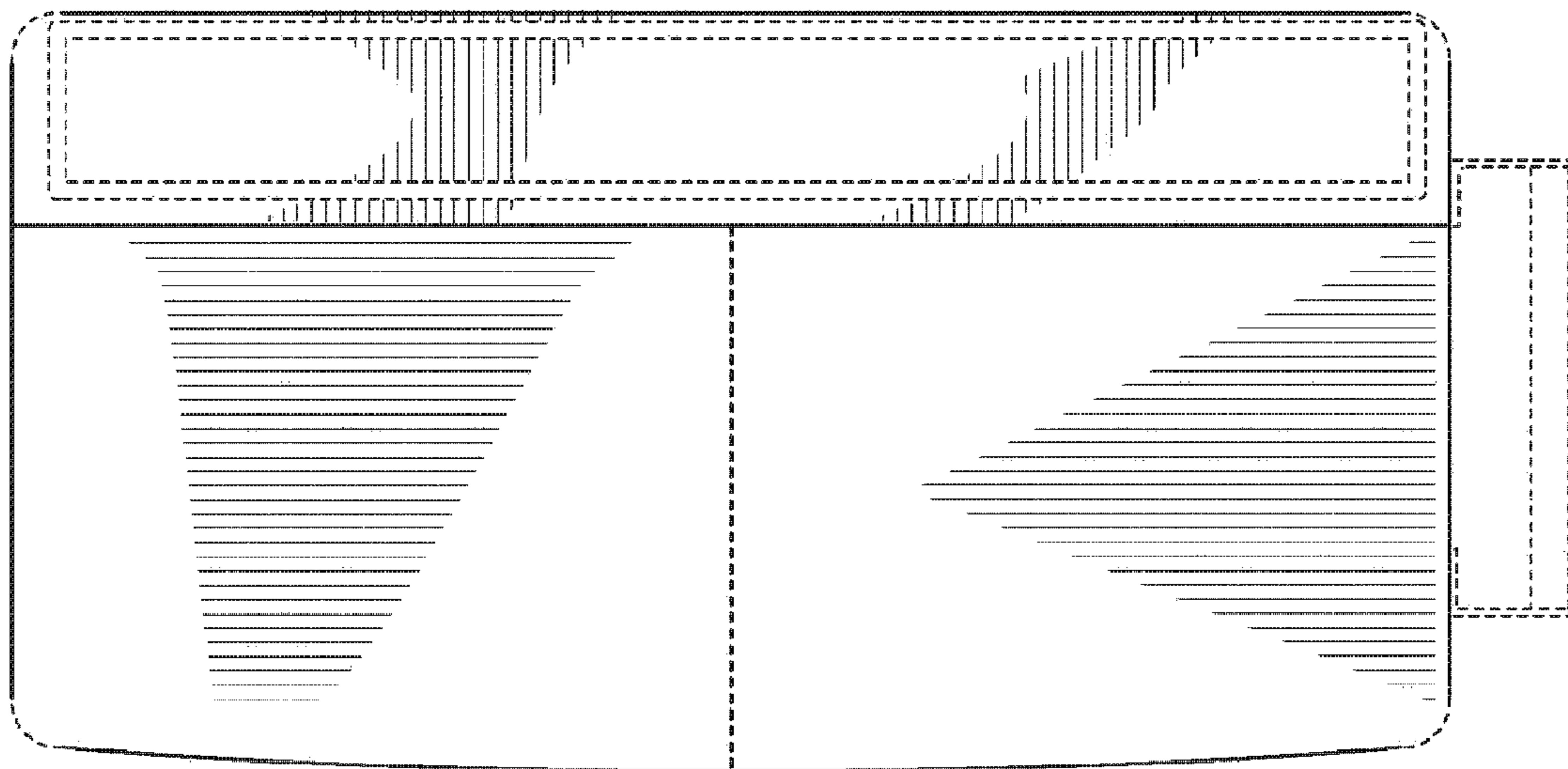


FIG. 6

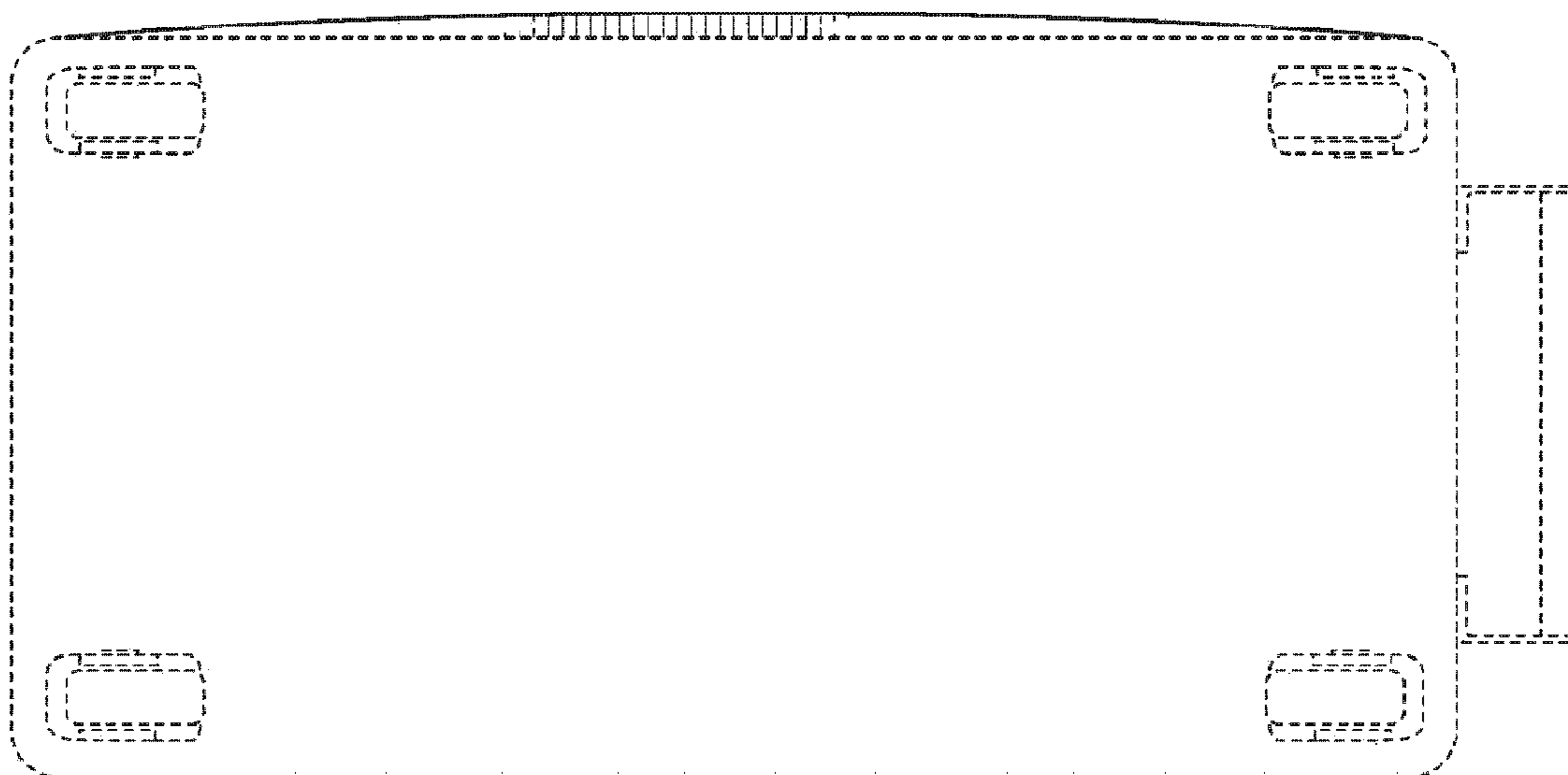


FIG. 7