



US00D567590S

(12) **United States Design Patent**
Bodum

(10) **Patent No.:** **US D567,590 S**

(45) **Date of Patent:** **** Apr. 29, 2008**

(54) **GLASS MUG**

(75) Inventor: **Jørgen Bodum**, Meggen (CH)

(73) Assignee: **Pi-Design AG**, Triengen (CH)

(**) Term: **14 Years**

(21) Appl. No.: **29/296,994**

(22) Filed: **Nov. 1, 2007**

(30) **Foreign Application Priority Data**

May 3, 2007 (DK) DA 2007 00113

(51) **LOC (8) Cl.** **07-01**

(52) **U.S. Cl.** **D7/536; D7/533**

(58) **Field of Classification Search** D7/500,
D7/509, 523, 533, 536, 622; D8/DIG. 9;
D24/122; D26/11; 220/710.5, 592.16, 592.17;
215/387, DIG. 7; 229/400, 402
See application file for complete search history.

(56) **References Cited**

U.S. PATENT DOCUMENTS

- D482,239 S * 11/2003 Bodum D7/536
- D499,609 S * 12/2004 Bodum D7/536
- D517,370 S * 3/2006 Kingsley D7/532
- D522,312 S * 6/2006 Bodum D7/536
- D523,693 S * 6/2006 Bodum D7/523
- D549,523 S * 8/2007 Montes D7/536
- D533,909 S * 10/2007 Bodum D7/523

- D552,931 S * 10/2007 Bodum D7/536
- D557,563 S * 12/2007 Bodum D7/536
- D557,564 S * 12/2007 Bodum D7/536
- D557,985 S * 12/2007 Arcangeli D7/536

* cited by examiner

Primary Examiner—Philip S. Hyder

Assistant Examiner—Cynthia Underwood

(74) *Attorney, Agent, or Firm*—Cowan, Liebowitz & Latman, PC

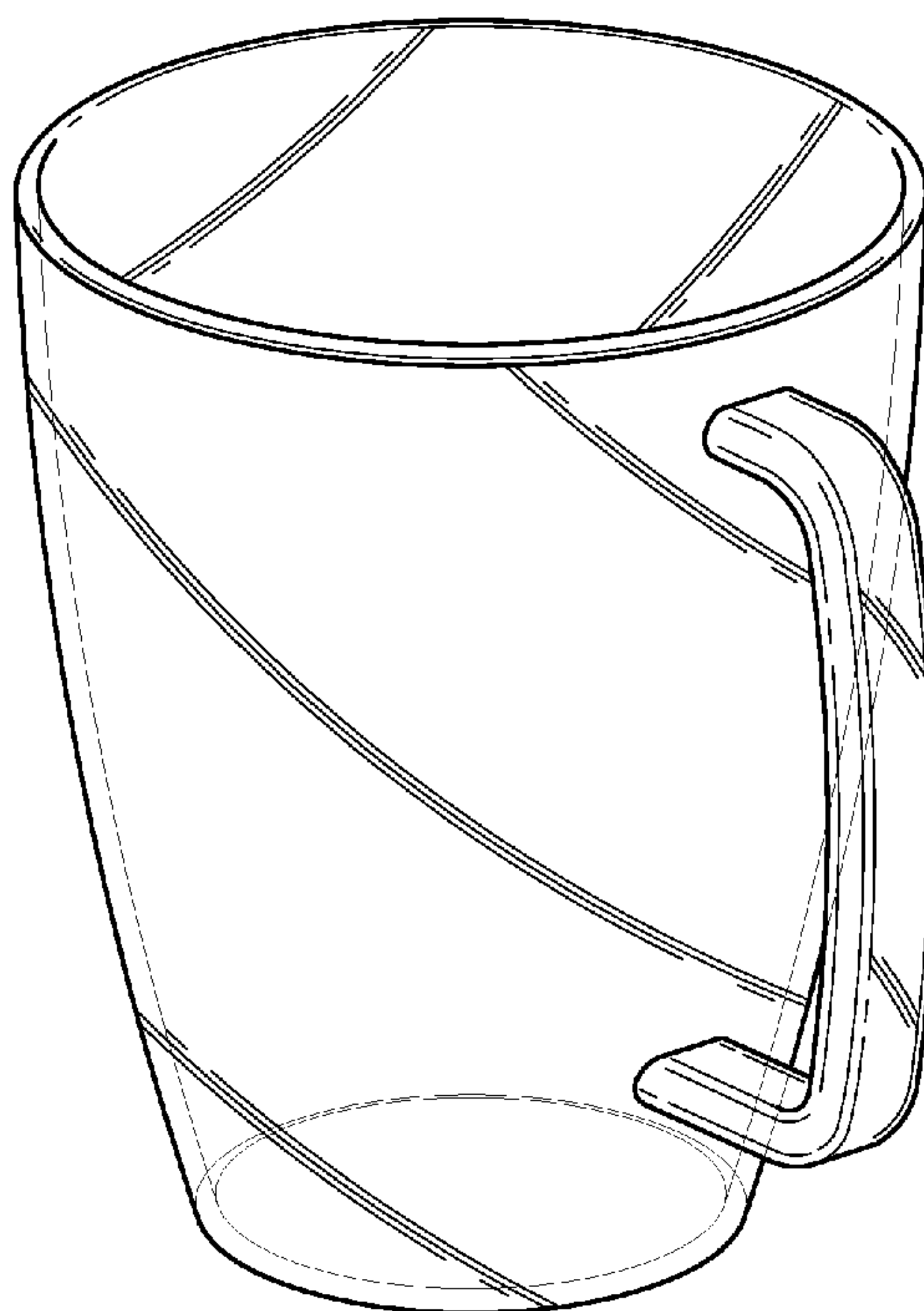
(57) **CLAIM**

The ornamental design for a glass mug, as shown and described.

DESCRIPTION

FIG. 1 is a perspective view of the glass mug showing my design thereof;
 FIG. 2 is a front view thereof;
 FIG. 3 is a back view thereof;
 FIG. 4 is a right side view thereof;
 FIG. 5 is a left side view thereof;
 FIG. 6 is a top view thereof;
 FIG. 7 is a bottom view thereof; and,
 FIG. 8 is a cross-sectional view thereof taken along line 8—8 in FIG. 6.

1 Claim, 8 Drawing Sheets



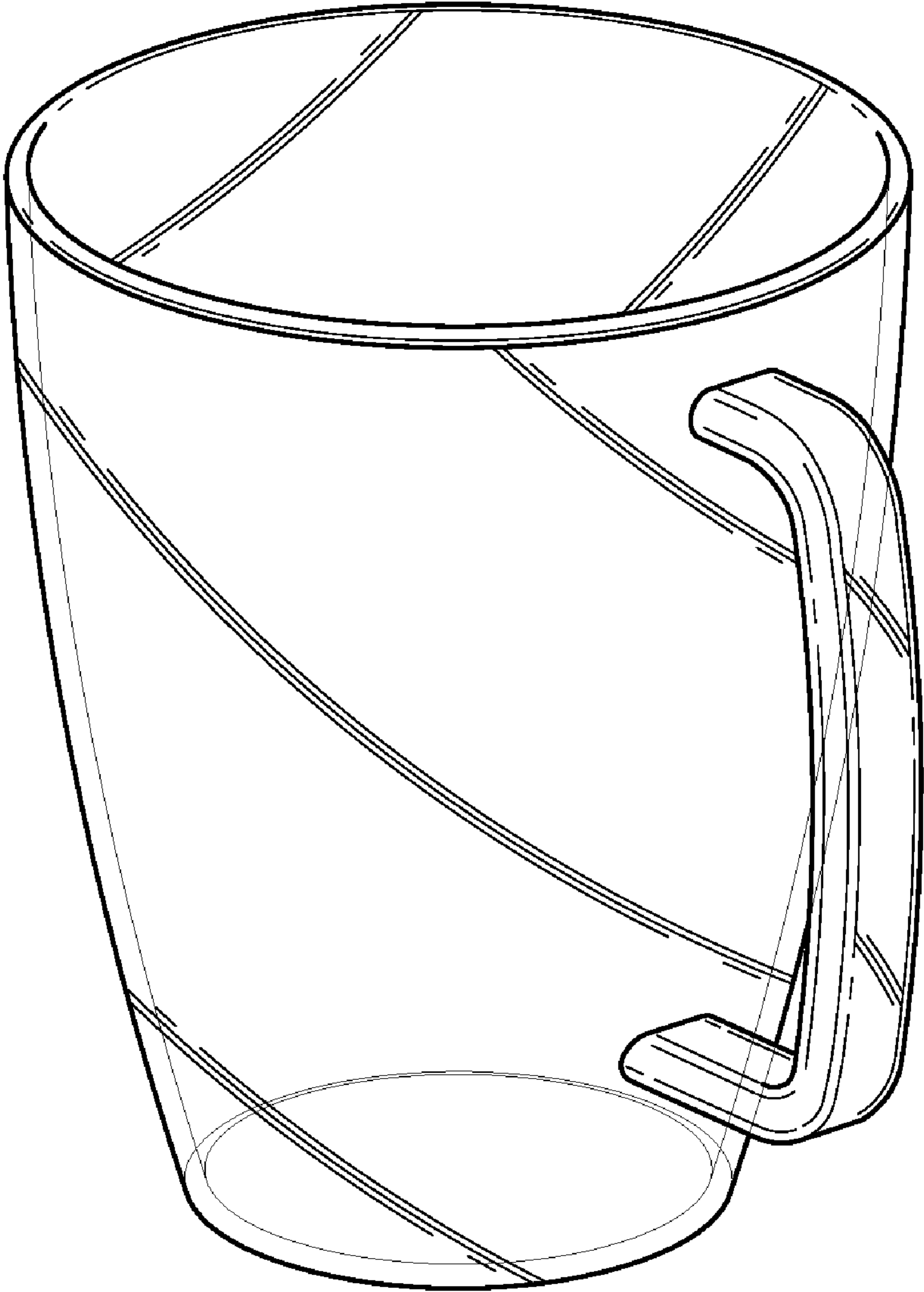


FIG. 1

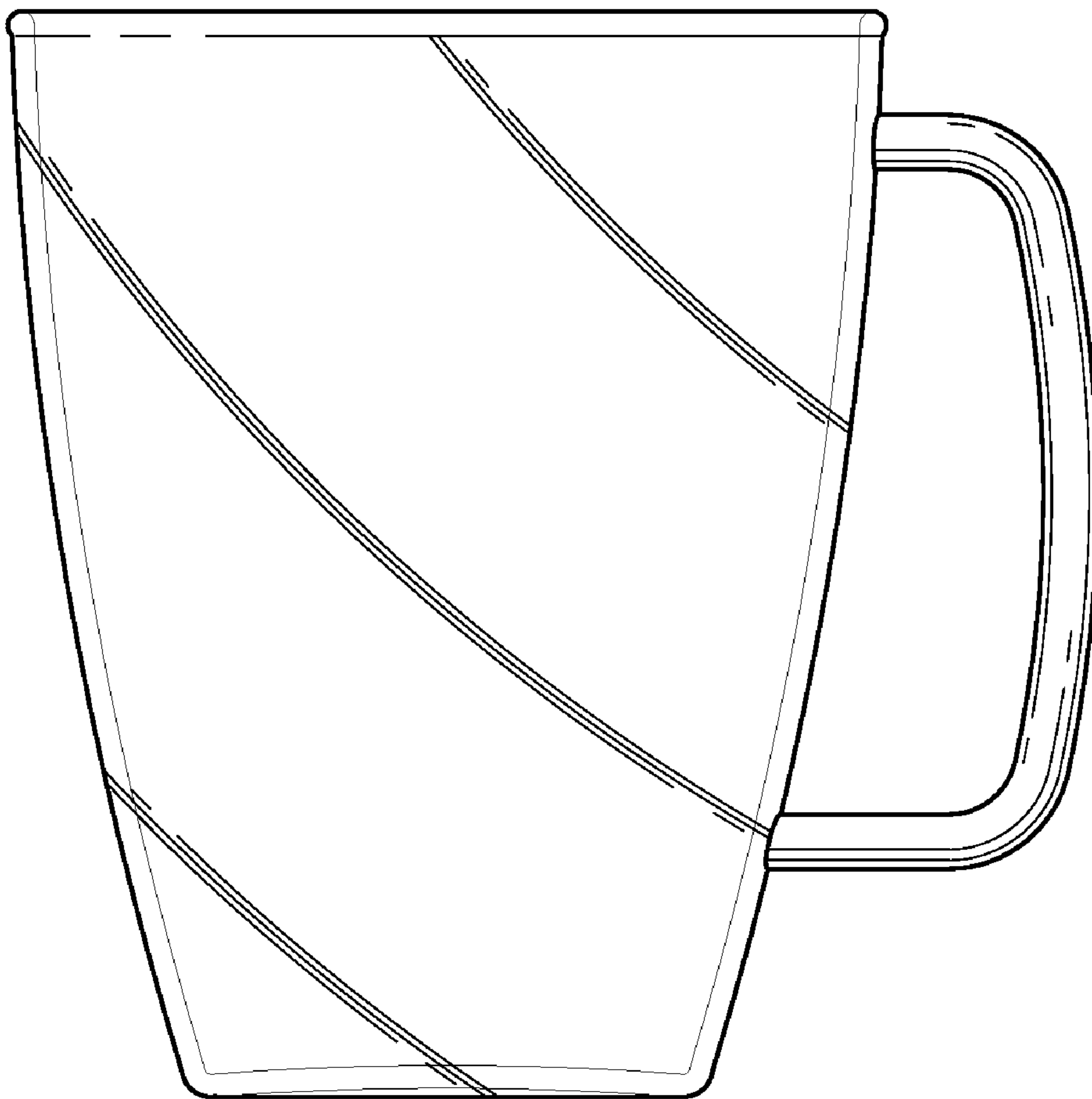


FIG. 2

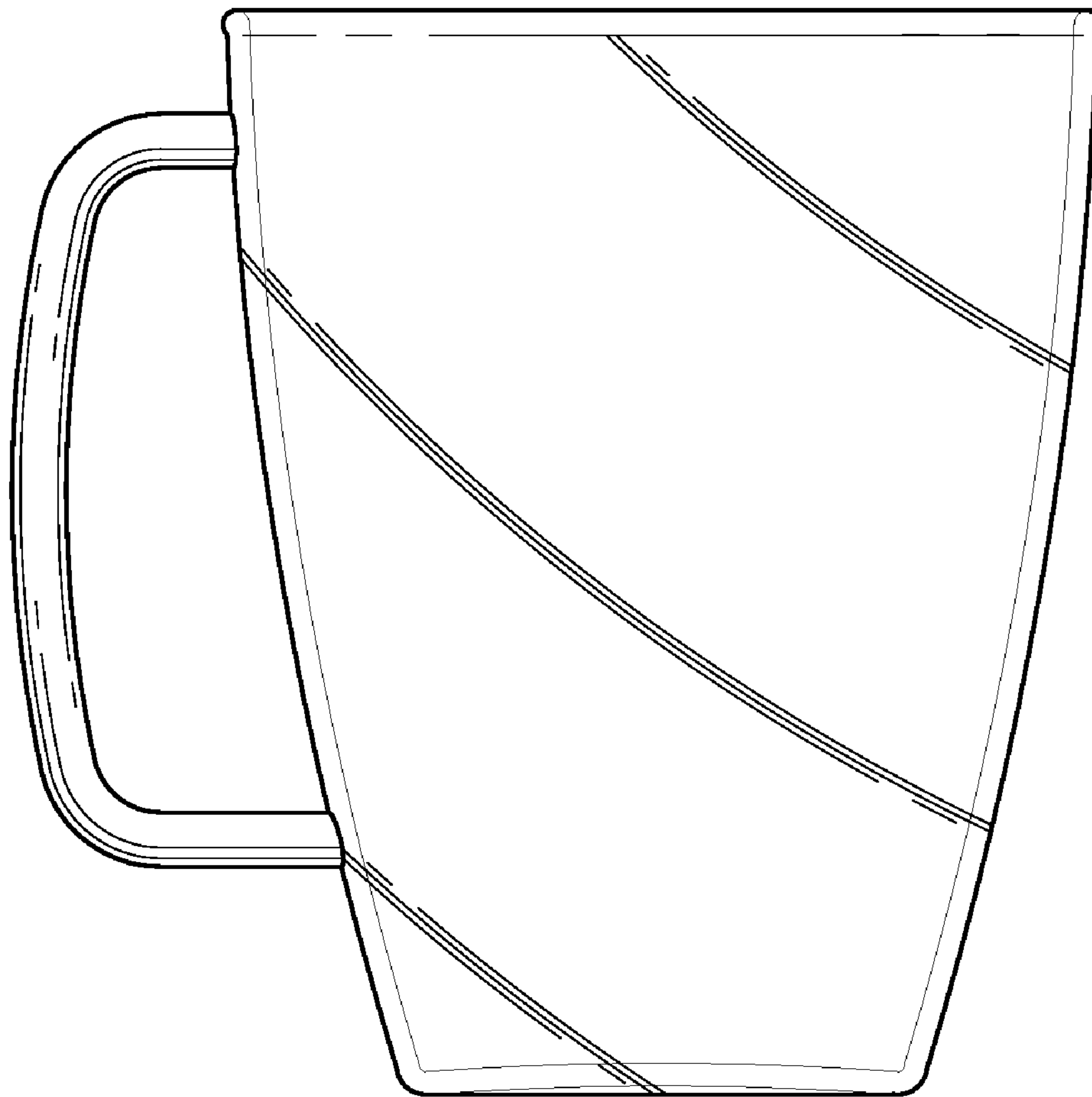


FIG. 3

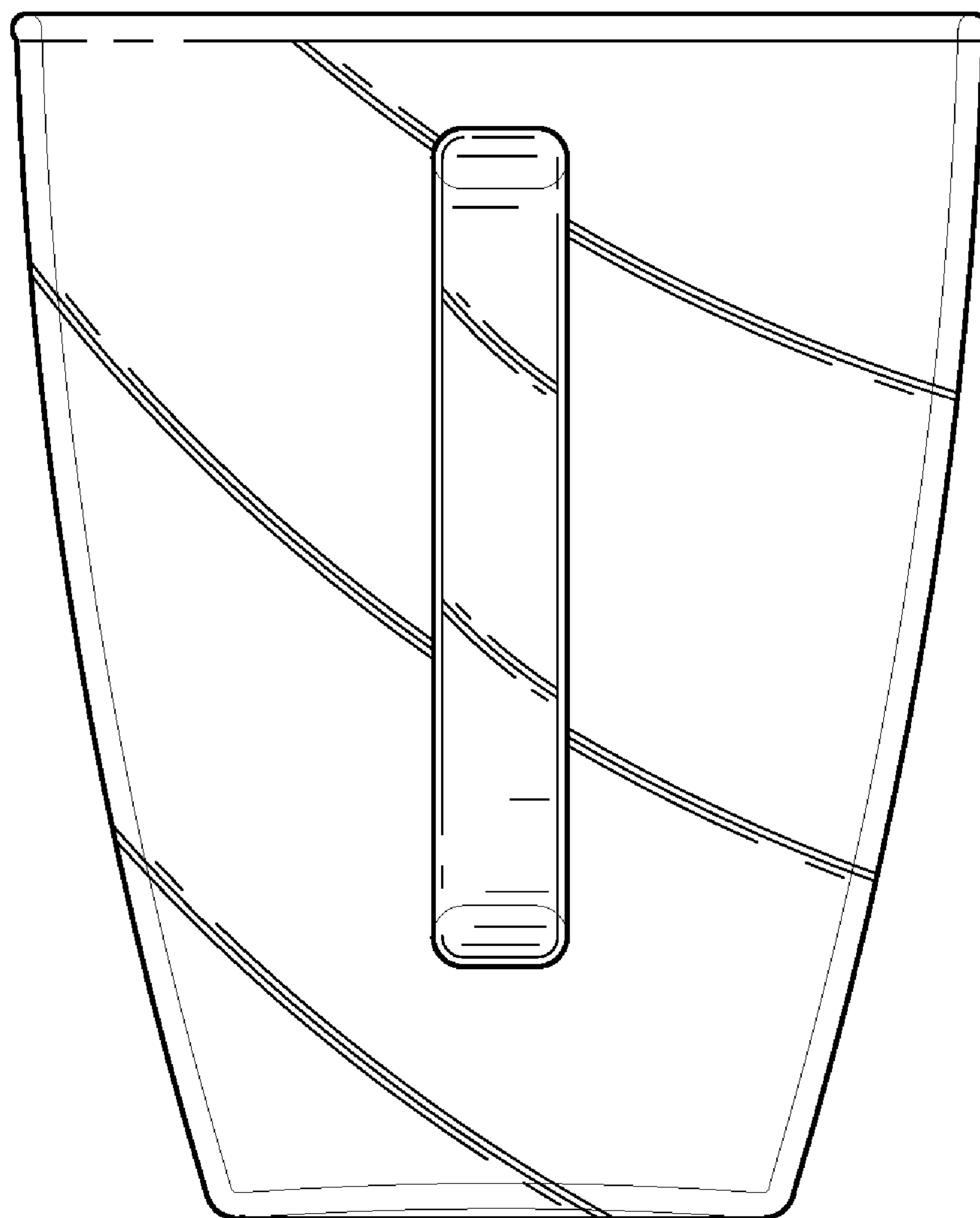


FIG. 4

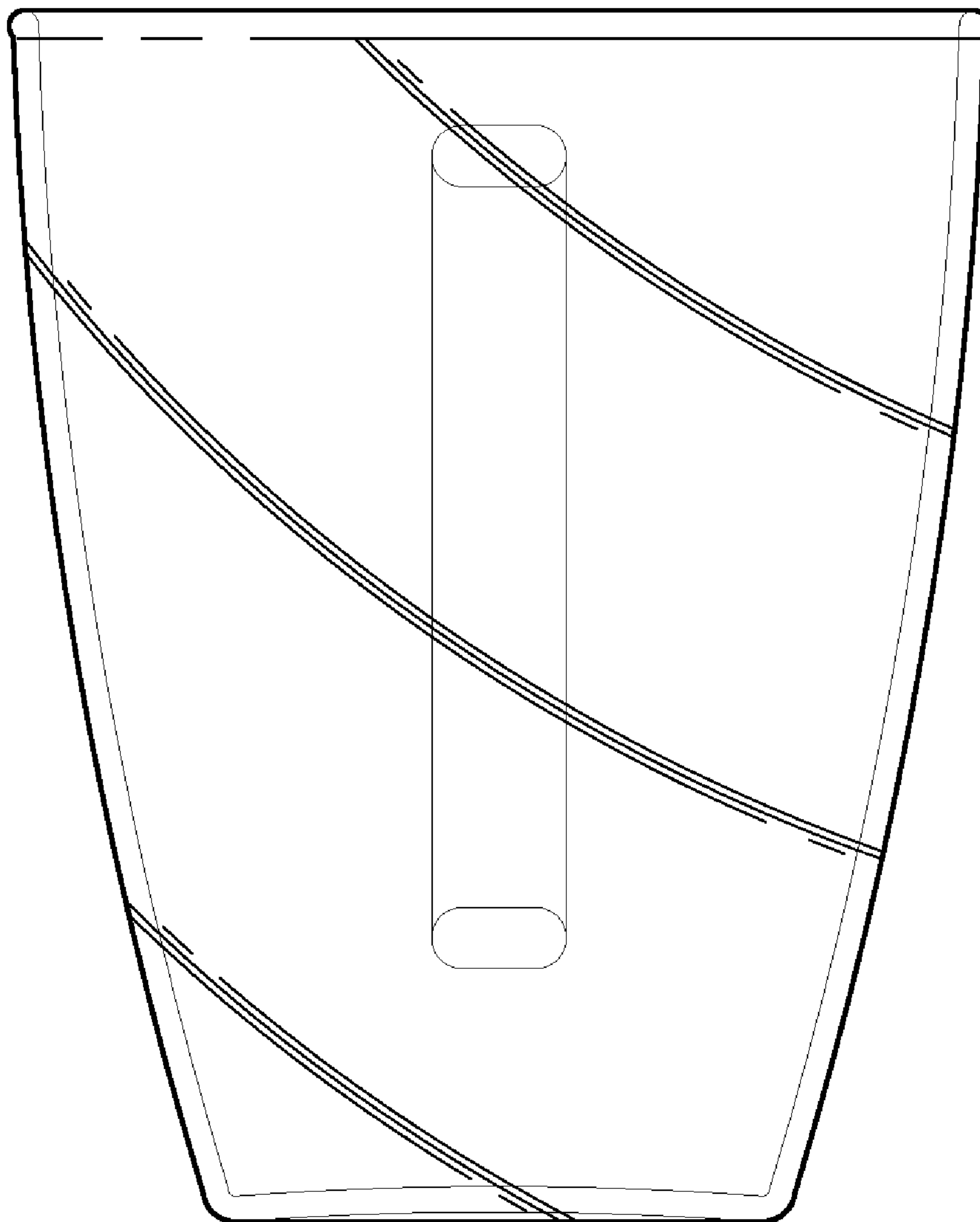


FIG. 5

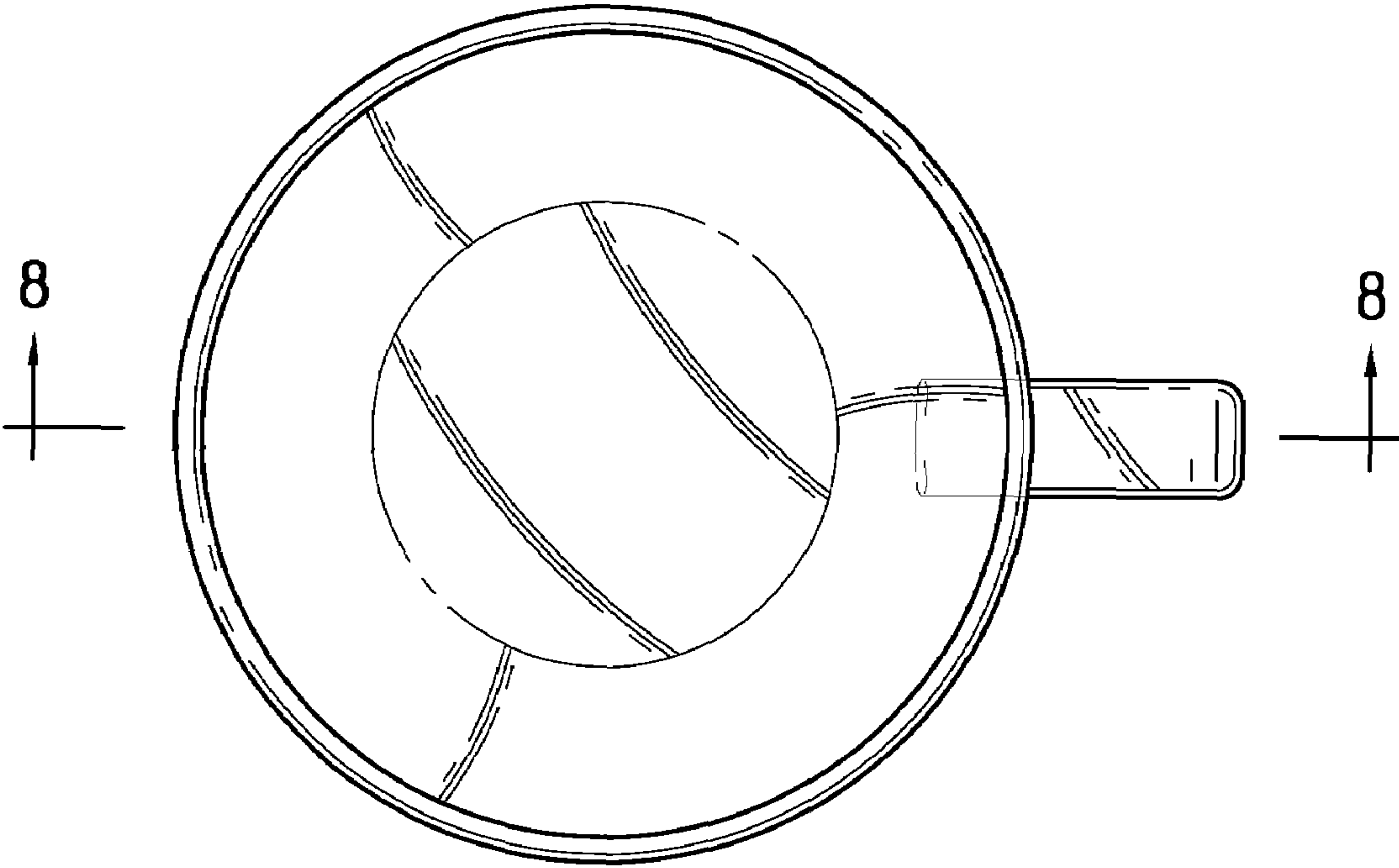


FIG. 6

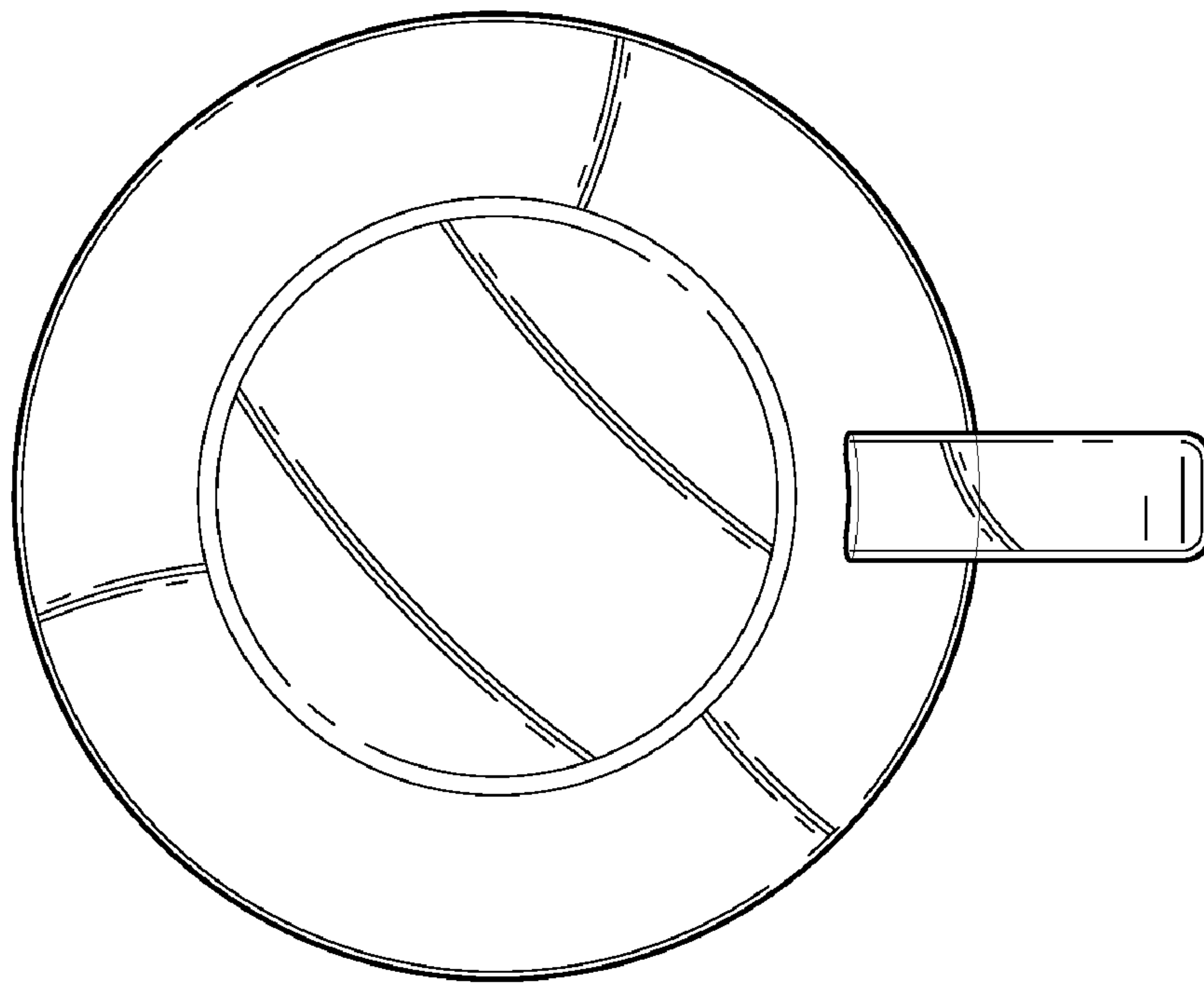


FIG. 7

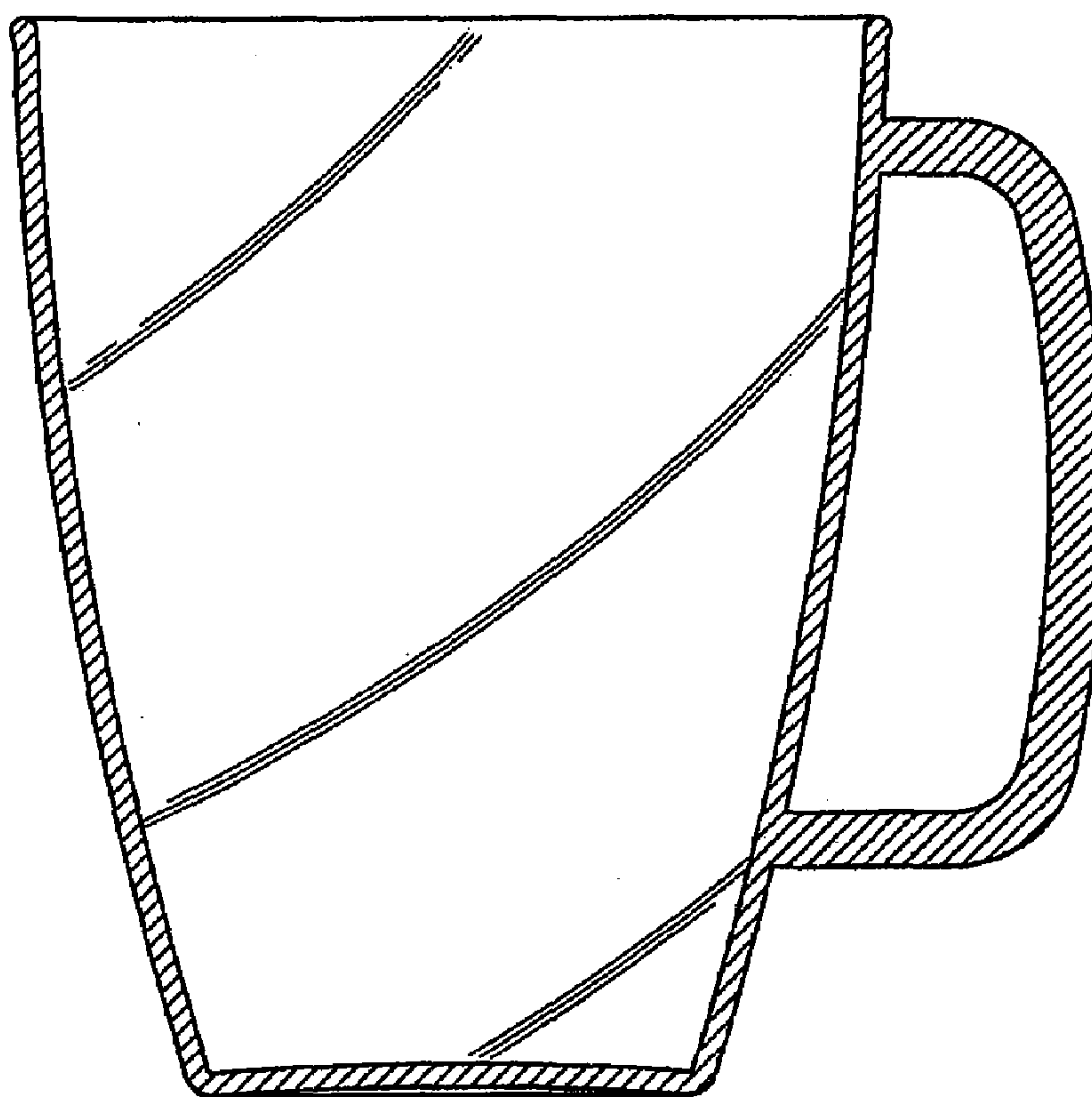


FIG. 8