

US00D567589S

(12) **United States Design Patent**
Freeman

(10) **Patent No.:** **US D567,589 S**

(45) **Date of Patent:** **** Apr. 29, 2008**

(54) **BEVERAGE CUP**

(75) **Inventor:** **Ernest F. Freeman**, Rancho Santa Margarita, CA (US)

(73) **Assignee:** **Cambro Manufacturing Co.**, Huntington Beach, CA (US)

(**) **Term:** **14 Years**

(21) **Appl. No.:** **29/286,818**

(22) **Filed:** **May 19, 2007**

(51) **LOC (8) Cl.** **07-01**

(52) **U.S. Cl.** **D7/536; D7/533**

(58) **Field of Classification Search** D7/300,
D7/500, 509, 510, 523, 532, 533, 536, 584,
D7/622; D9/530, 537, 538, 549, 556; D11/153,
D11/152; 215/387, DIG. 7; 220/592.16,
220/592.17, 703, 710.5

See application file for complete search history.

(56) **References Cited**

U.S. PATENT DOCUMENTS

- D202,644 S * 10/1965 Lowrie D7/536
- D203,615 S * 2/1966 Metzler D7/622
- D227,135 S * 6/1973 Davis D7/536
- D253,570 S * 12/1979 Pomroy D7/536
- D286,723 S * 11/1986 Everhan D7/536

- D293,535 S * 1/1988 Wiinblad D7/536
- D363,897 S * 11/1995 Carlson D11/152
- D550,037 S * 9/2007 Ranzoni D7/519

* cited by examiner

Primary Examiner—Philip Hyder

Assistant Examiner—Cynthia Underwood

(74) *Attorney, Agent, or Firm*—George F. Bethel

(57) **CLAIM**

I claim the ornamental design for a beverage cup, as shown and described.

DESCRIPTION

FIG. 1 shows a perspective view of the design for the beverage cup.

FIG. 2 shows a front elevation view.

FIG. 3 shows a top plan view.

FIG. 4 shows a right side elevation view.

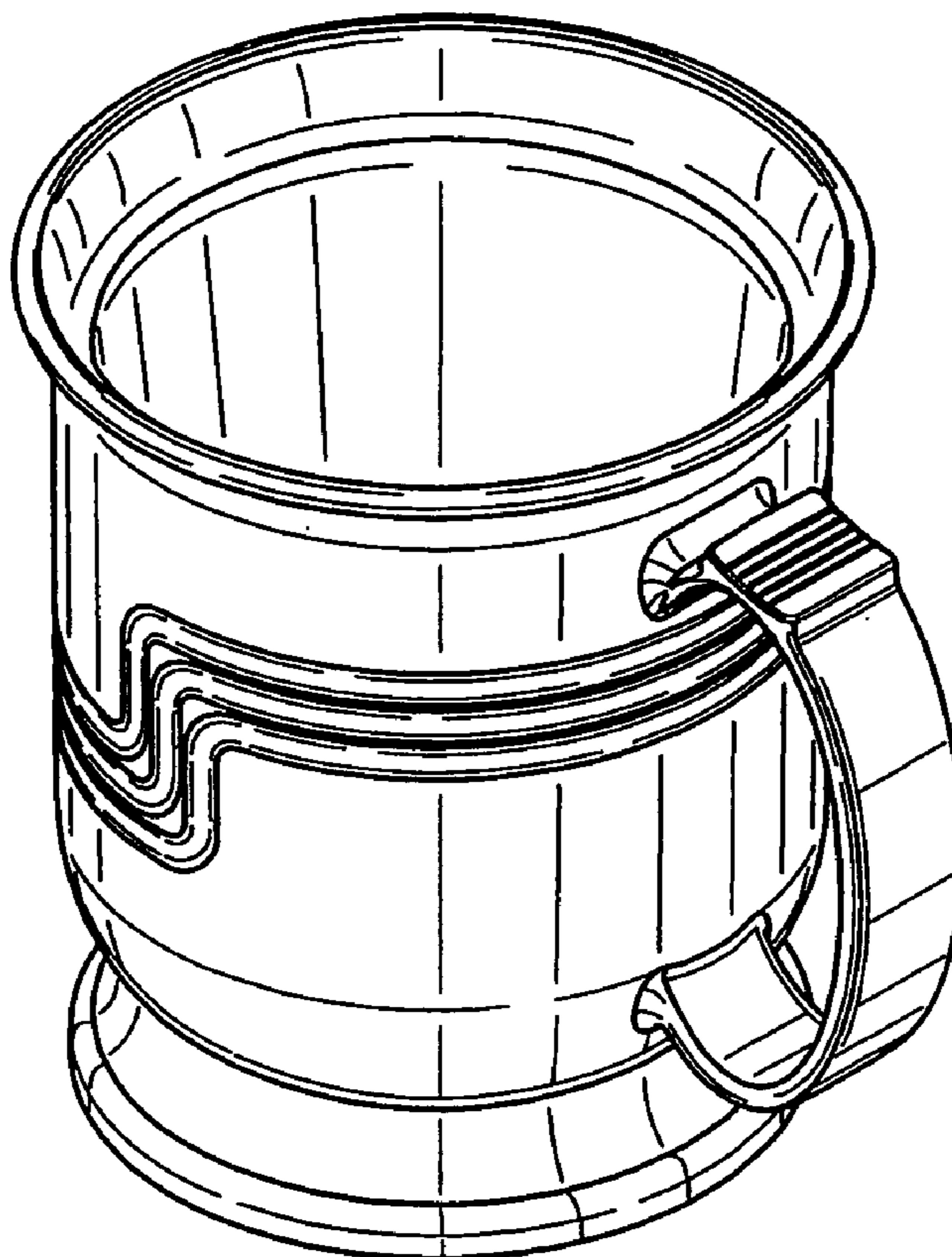
FIG. 5 shows a left side elevation view.

FIG. 6 shows a back elevation side view; and,

FIG. 7 shows a bottom plan view.

The broken lines in FIGS. 3 and 7 are included to illustrate structure that forms no part of the claimed design.

1 Claim, 2 Drawing Sheets



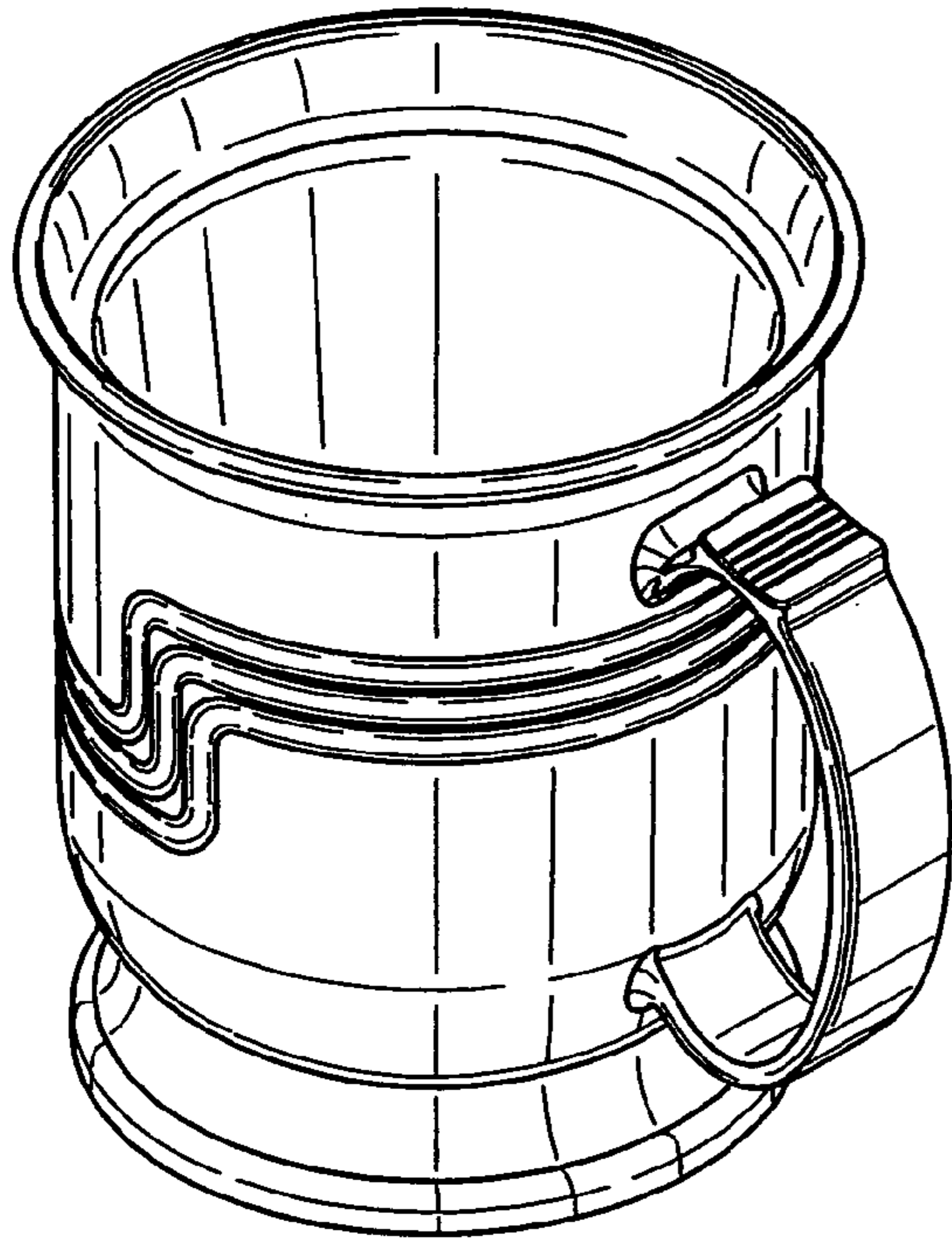


FIG. 1

FIG. 3

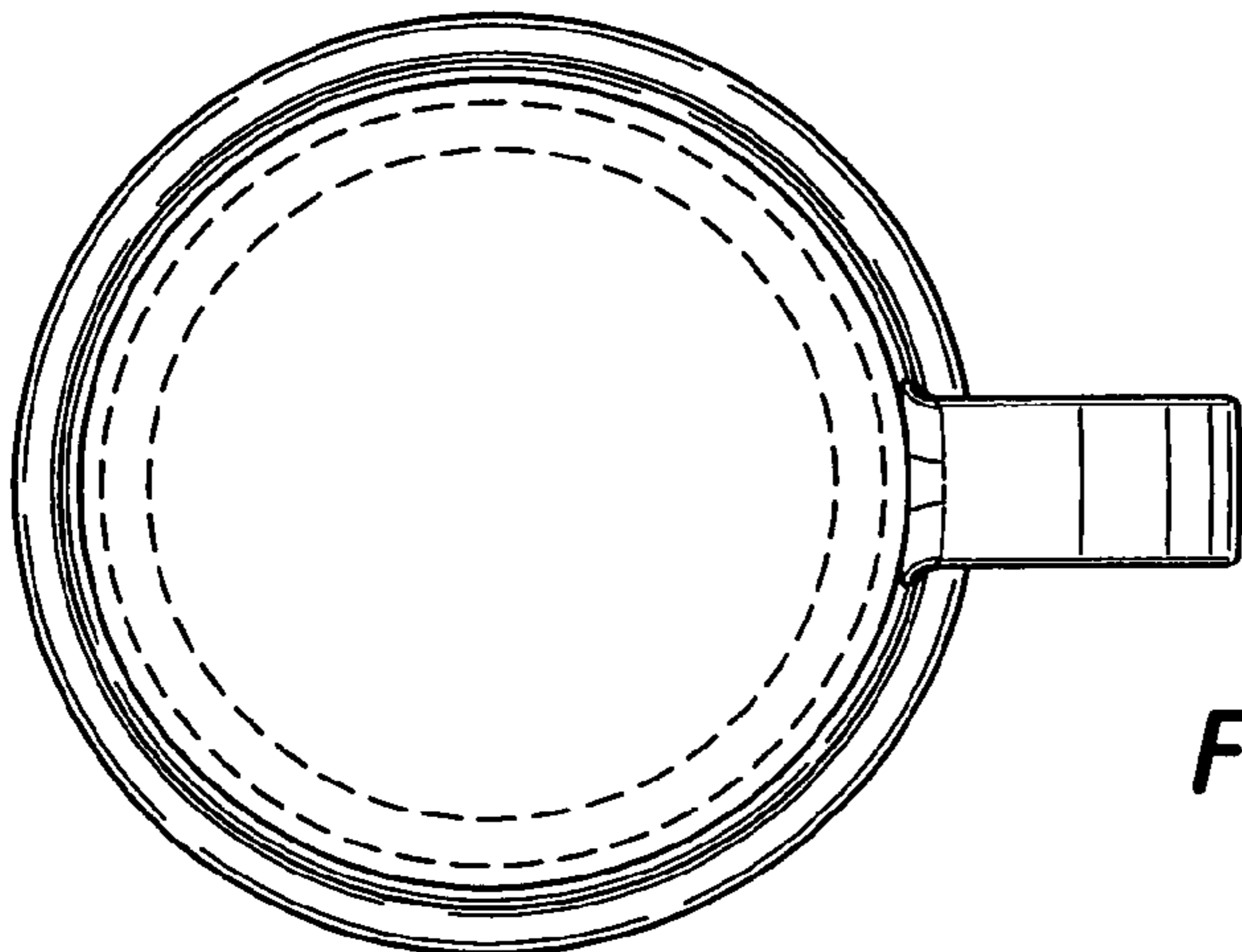
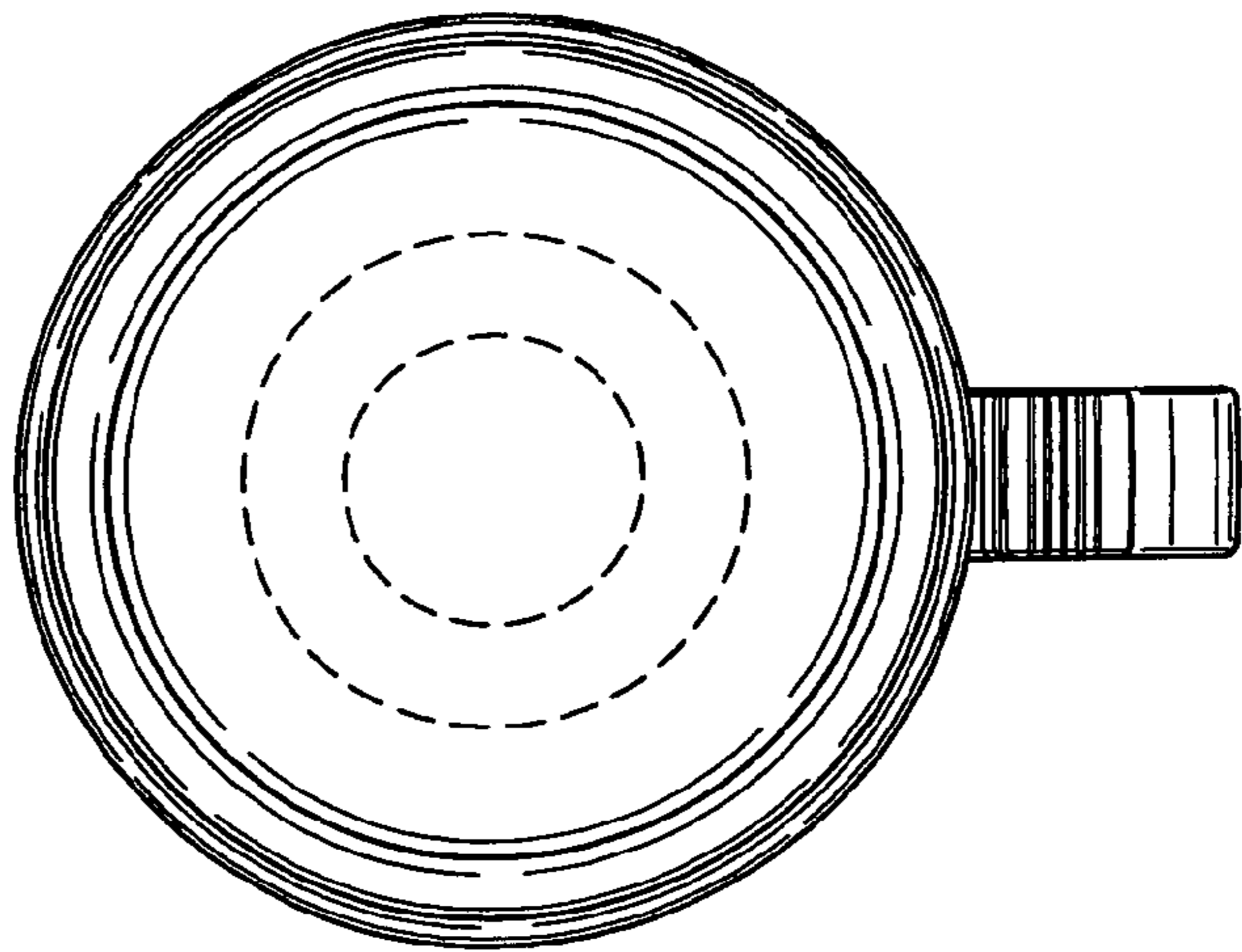


FIG. 7

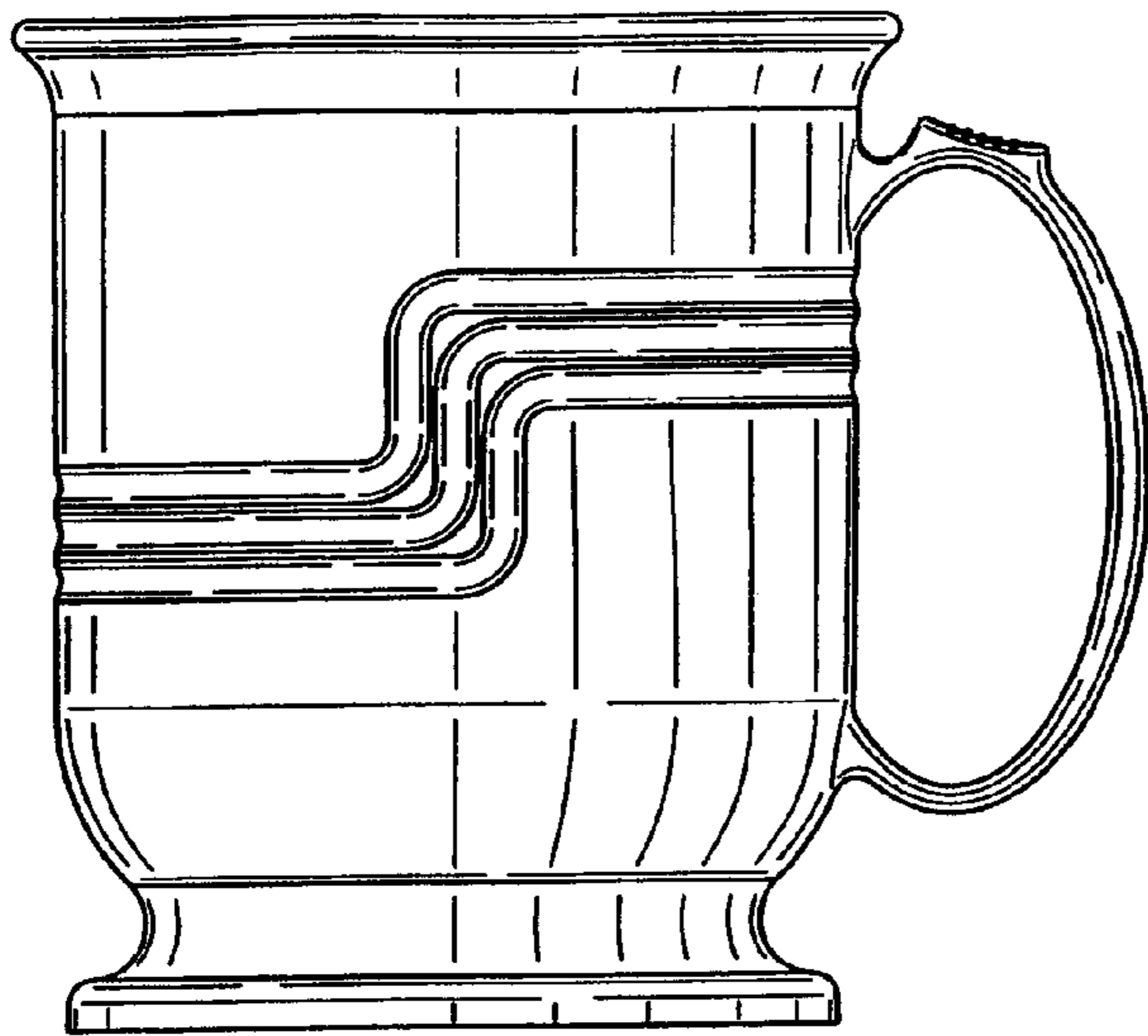


FIG. 2

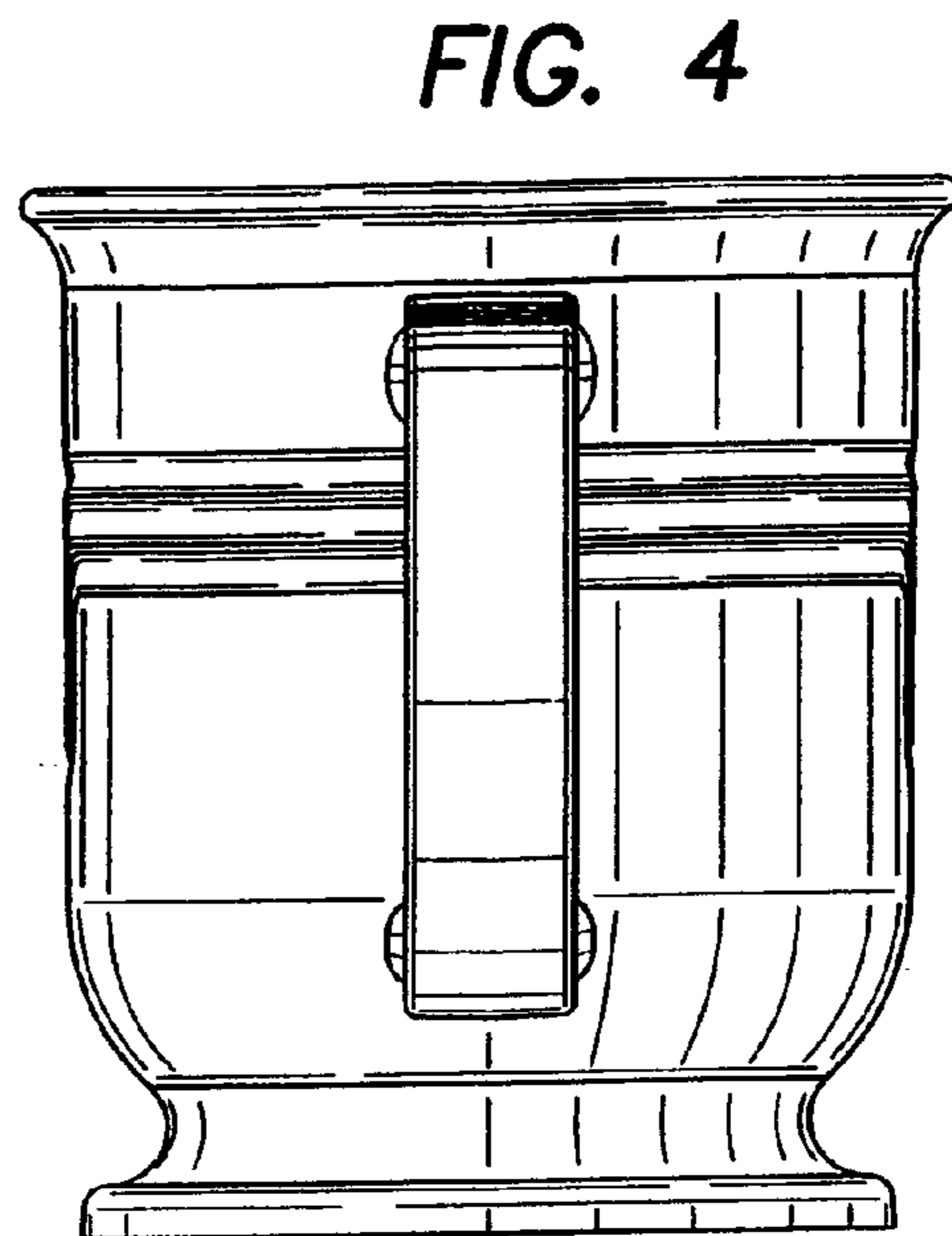


FIG. 4

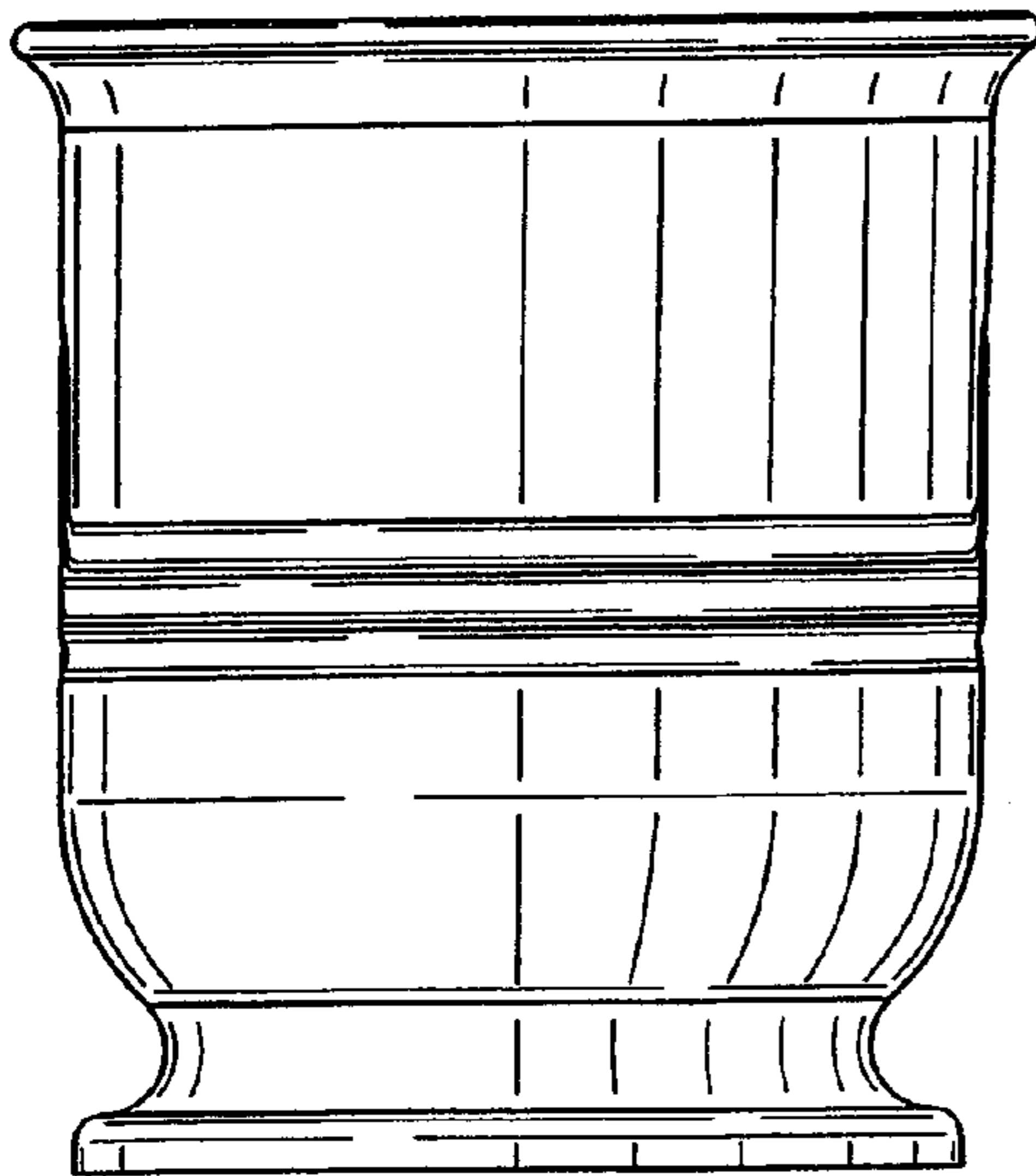


FIG. 5

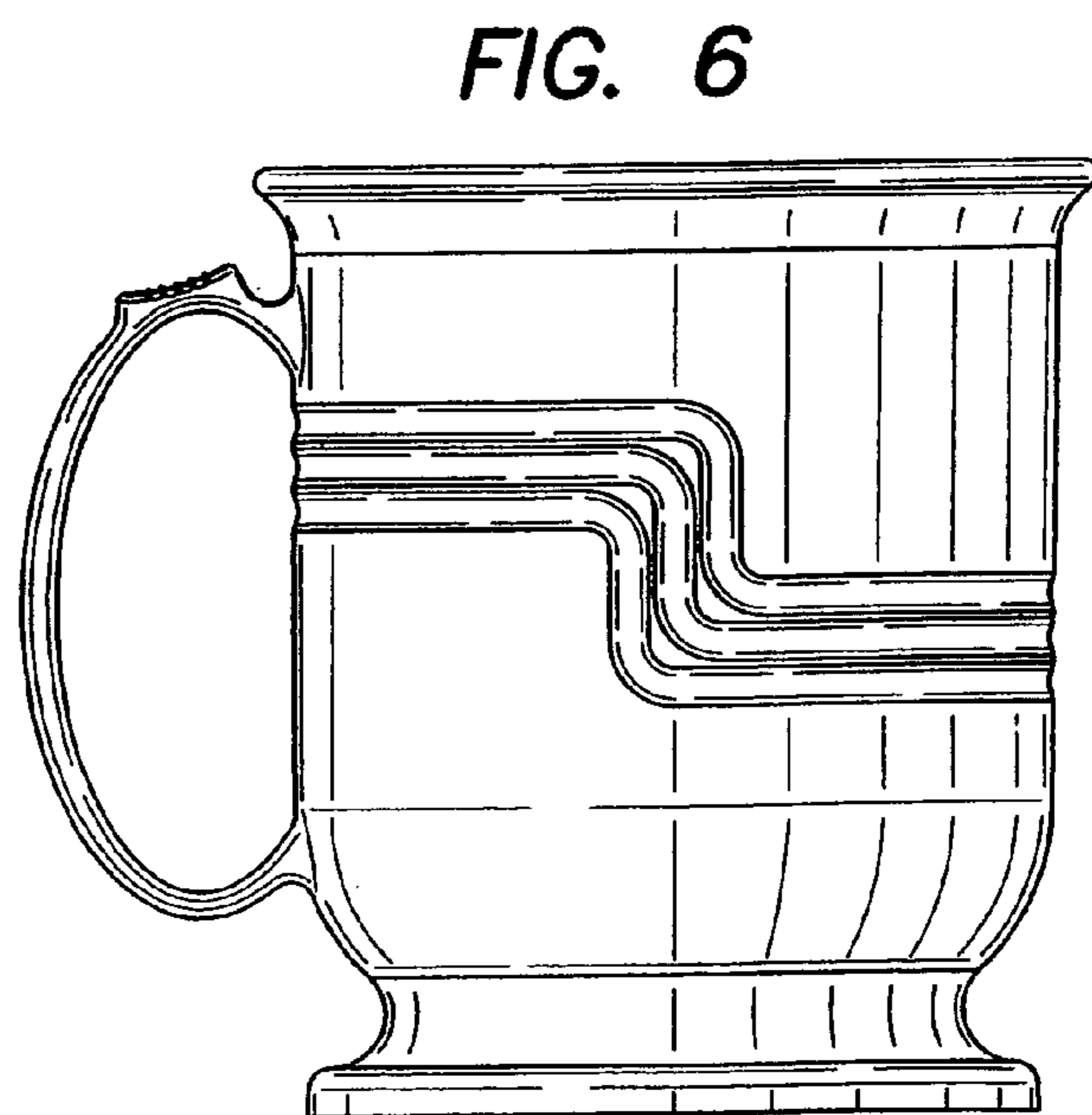


FIG. 6