

US00D567587S

(12) **United States Design Patent**  
**Meiry**

(10) **Patent No.:** **US D567,587 S**

(45) **Date of Patent:** **\*\* Apr. 29, 2008**

(54) **SLOT MACHINE SHAPED BEER MUG**

(76) Inventor: **Ron Meiry**, 2368 N. Vallejo Way,  
Upland, CA (US) 91784

(\*\*) Term: **14 Years**

(21) Appl. No.: **29/270,344**

(22) Filed: **Dec. 19, 2006**

(51) **LOC (8) Cl.** ..... **07-01**

(52) **U.S. Cl.** ..... **D7/515; D7/533**

(58) **Field of Classification Search** ..... D7/509,  
D7/510, 511, 506, 533, 536, 514, 515, 301-303,  
D7/606, 619.2; 220/703, 756, 710.5; 206/217,  
206/354, 459.1

See application file for complete search history.

(56) **References Cited**

**U.S. PATENT DOCUMENTS**

3,996,879	A *	12/1976	Walton	.....	116/308
D272,254	S *	1/1984	Heywood	.....	D21/370
D292,464	S *	10/1987	Petrasek	.....	D7/536
4,852,757	A *	8/1989	Gold	.....	220/4.03
5,029,700	A *	7/1991	Chen	.....	206/217
D350,457	S *	9/1994	Bailey	.....	D7/622
D350,875	S *	9/1994	VanValkenburg et al.	....	D7/612
D375,656	S *	11/1996	Wilson	.....	D7/515

5,644,298	A *	7/1997	Brooks et al.	.....	340/612
D404,969	S *	2/1999	Krenzler	.....	D7/507
D419,032	S *	1/2000	Stern et al.	.....	D7/515
D489,571	S *	5/2004	Lee	.....	D7/507
D546,024	S *	7/2007	Danelius	.....	D99/37

\* cited by examiner

*Primary Examiner*—Marianne Pandozzi  
(74) *Attorney, Agent, or Firm*—Eric Karich

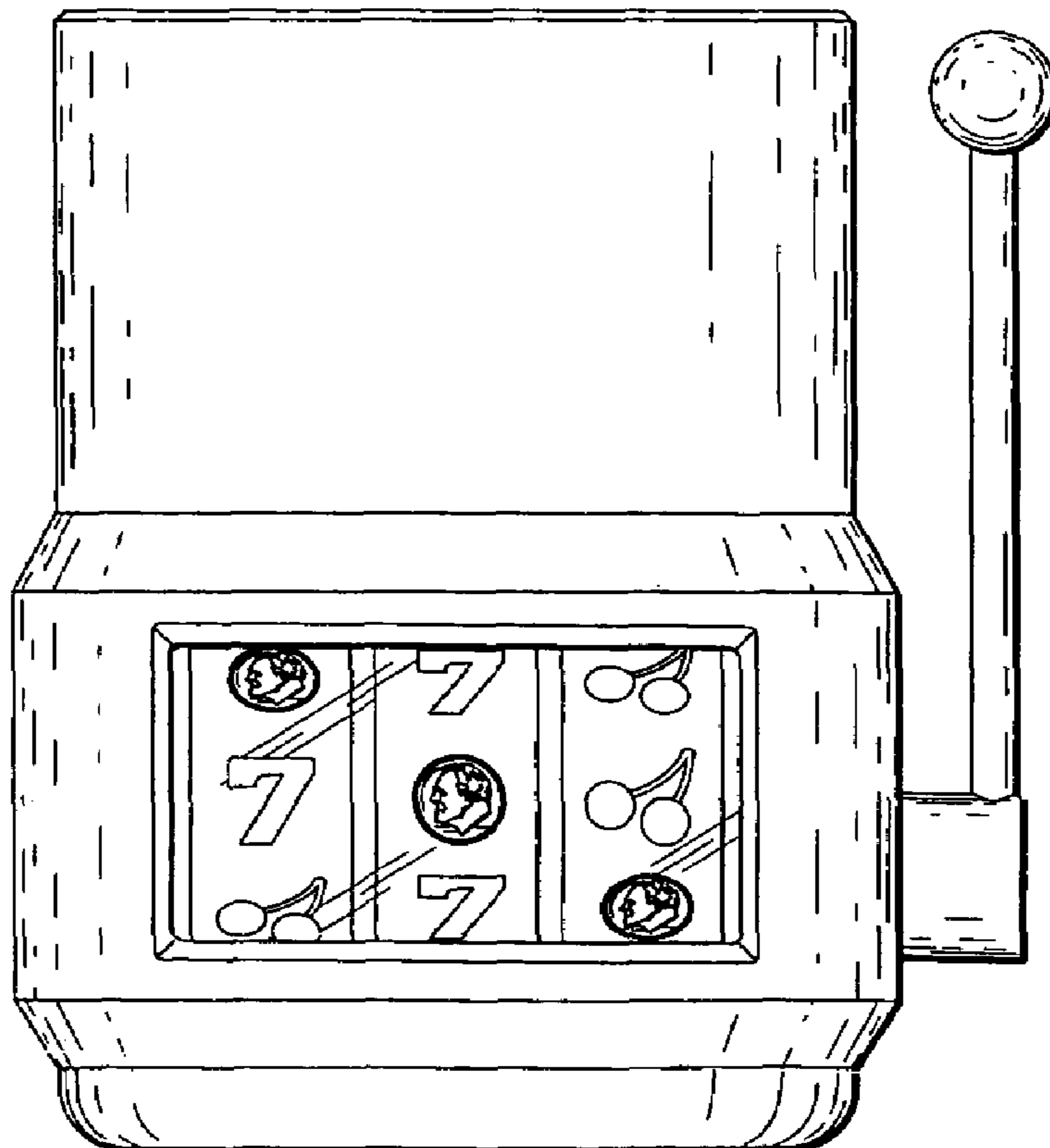
(57) **CLAIM**

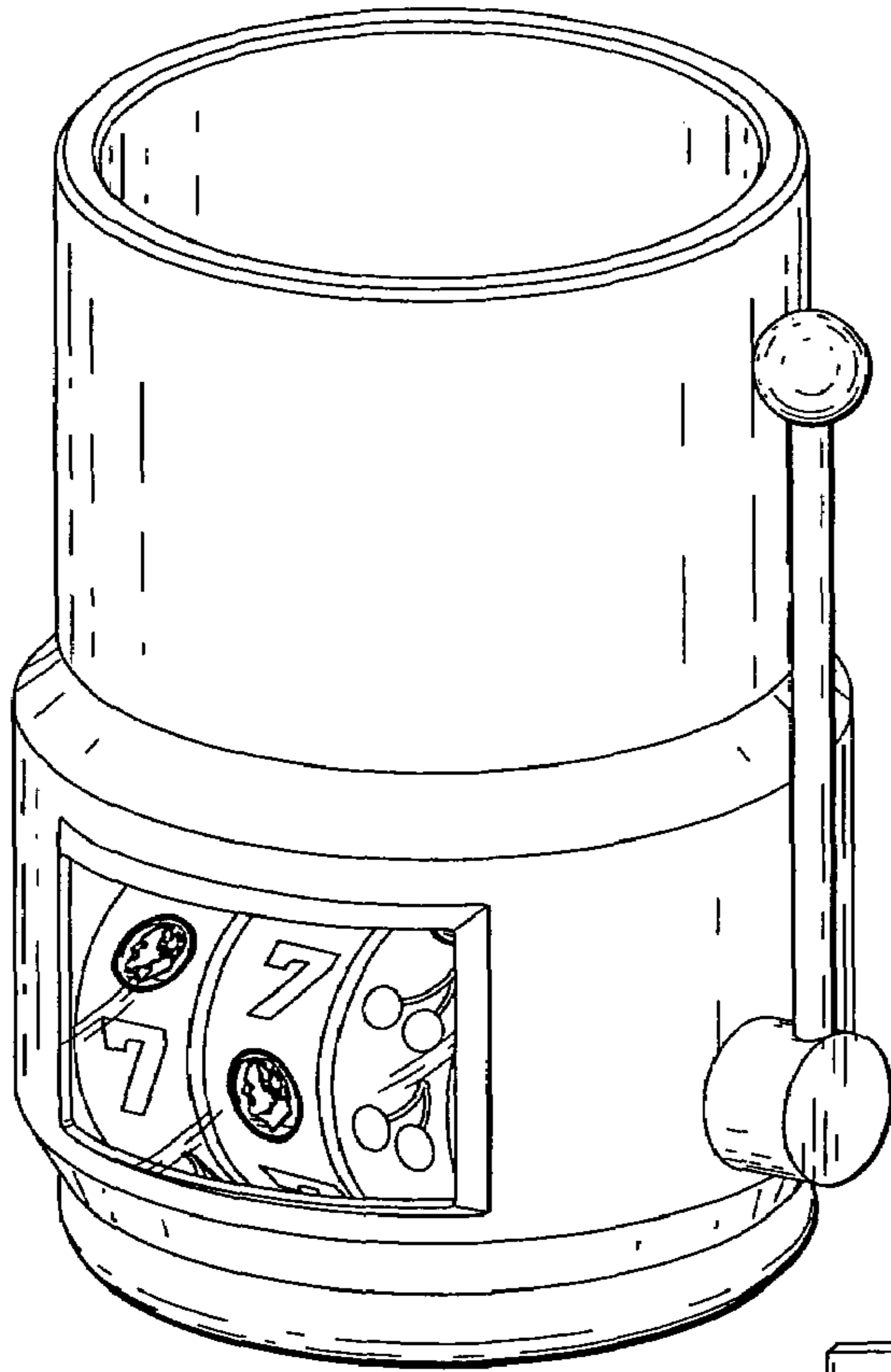
The ornamental design for a “slot machine shaped beer mug,” as shown and described.

**DESCRIPTION**

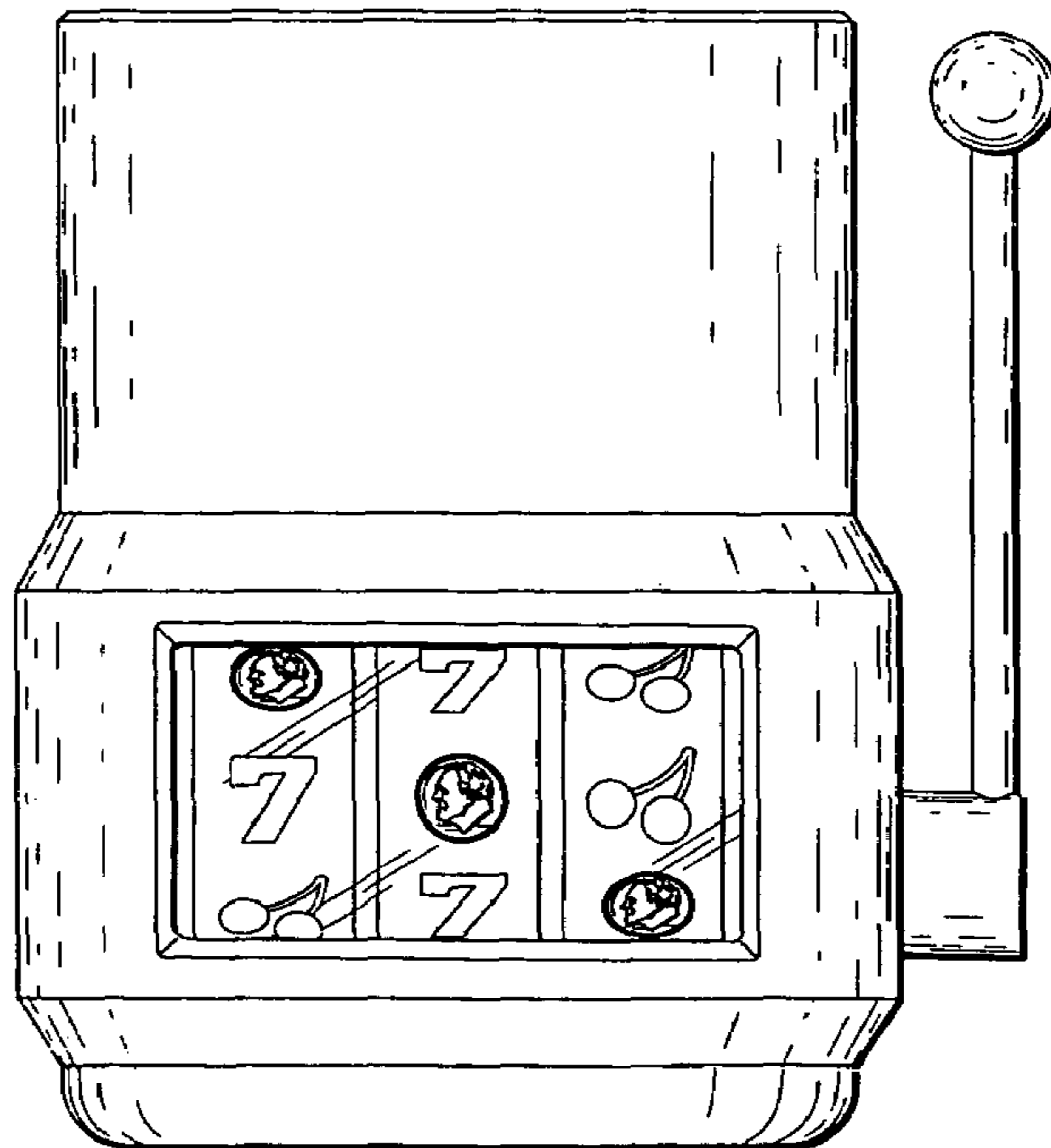
FIG. 1 is a perspective view of a slot machine shaped beer mug, showing my new design;  
FIG. 2 is a front elevational view thereof;  
FIG. 3 is a rear elevational view thereof;  
FIG. 4 is a left side elevational view thereof;  
FIG. 5 is a right side elevational view thereof;  
FIG. 6 is a top plan view thereof; and,  
FIG. 7 is a bottom plan view thereof.

**1 Claim, 3 Drawing Sheets**

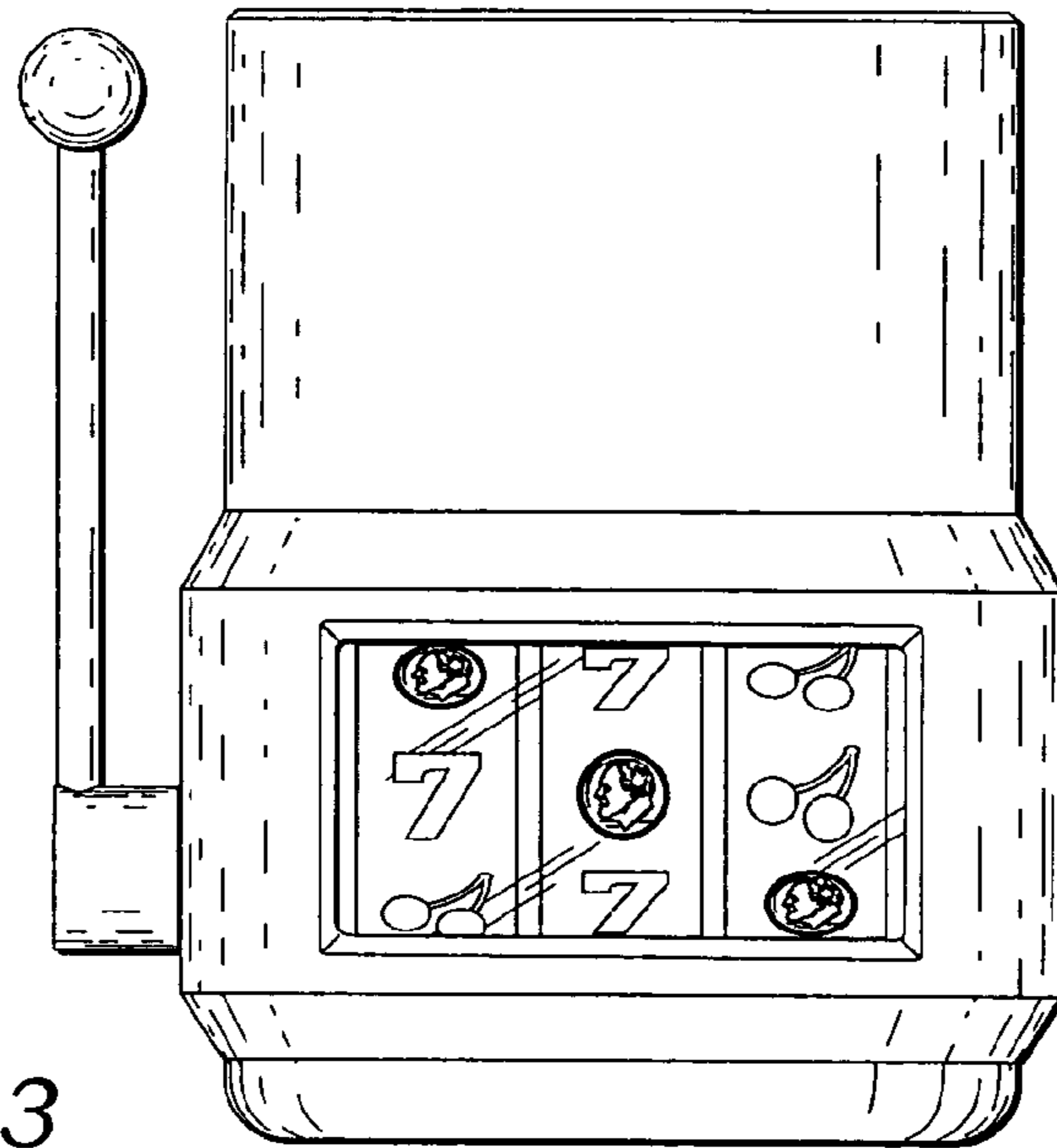




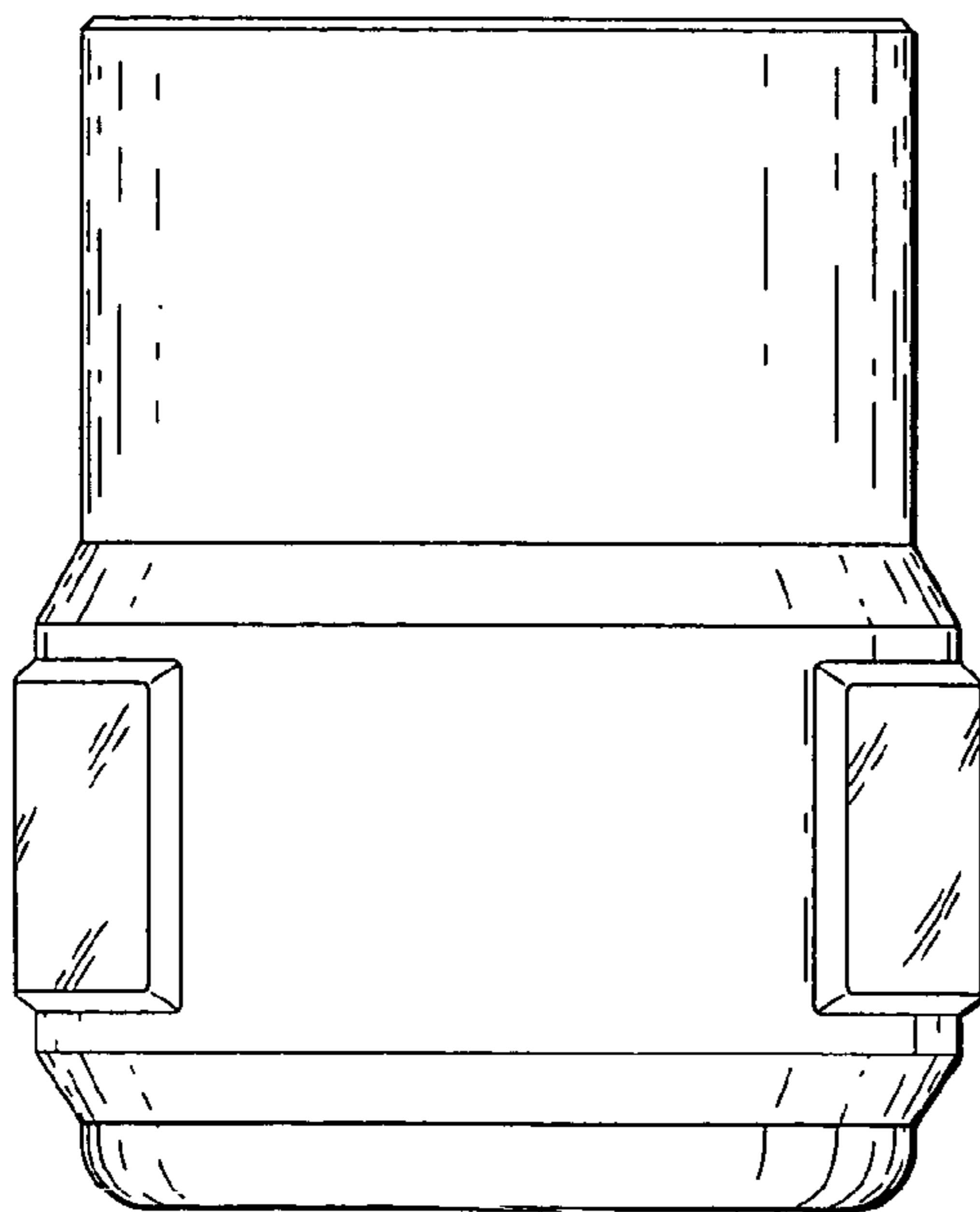
*Fig. 1*



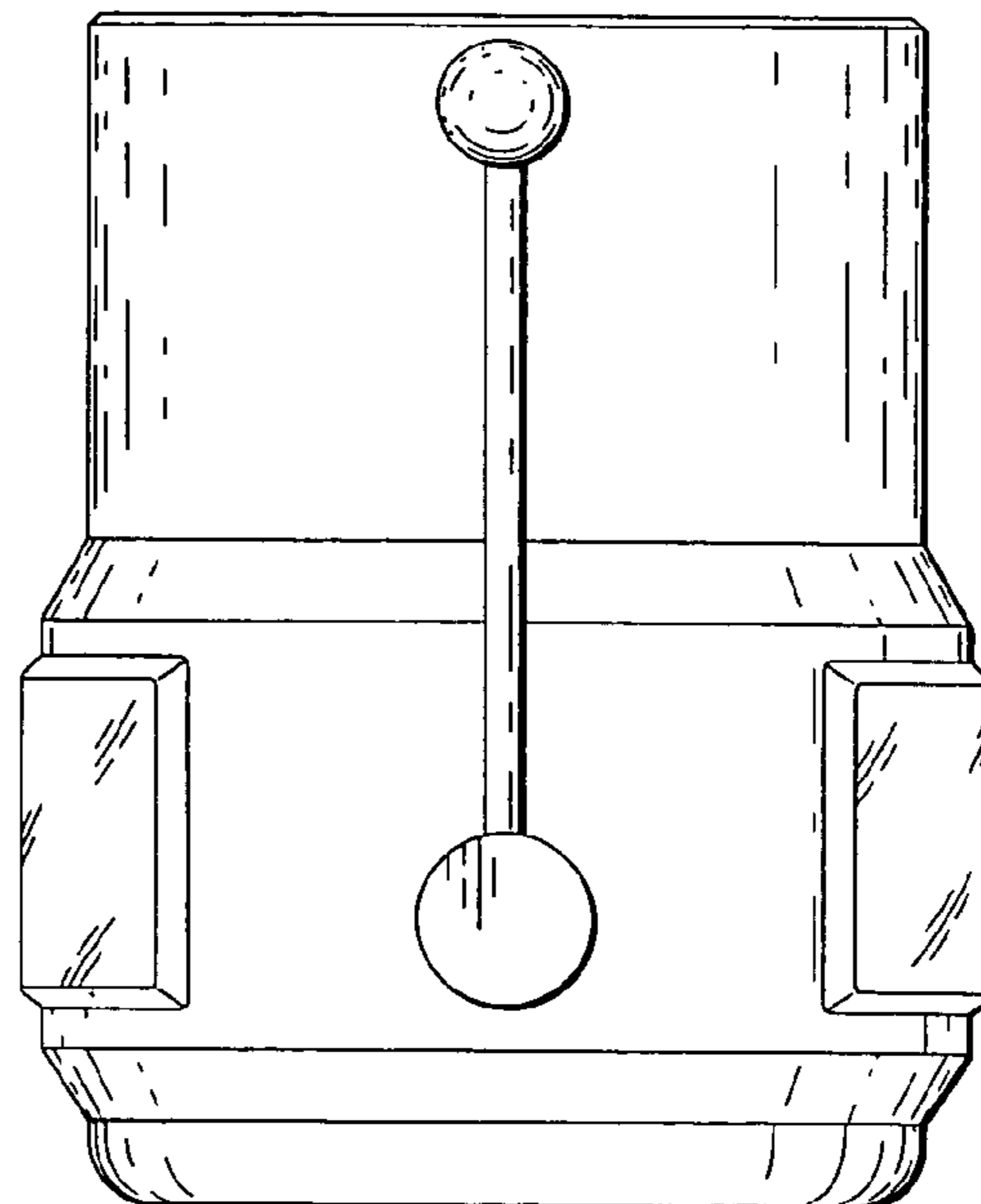
*Fig. 2*



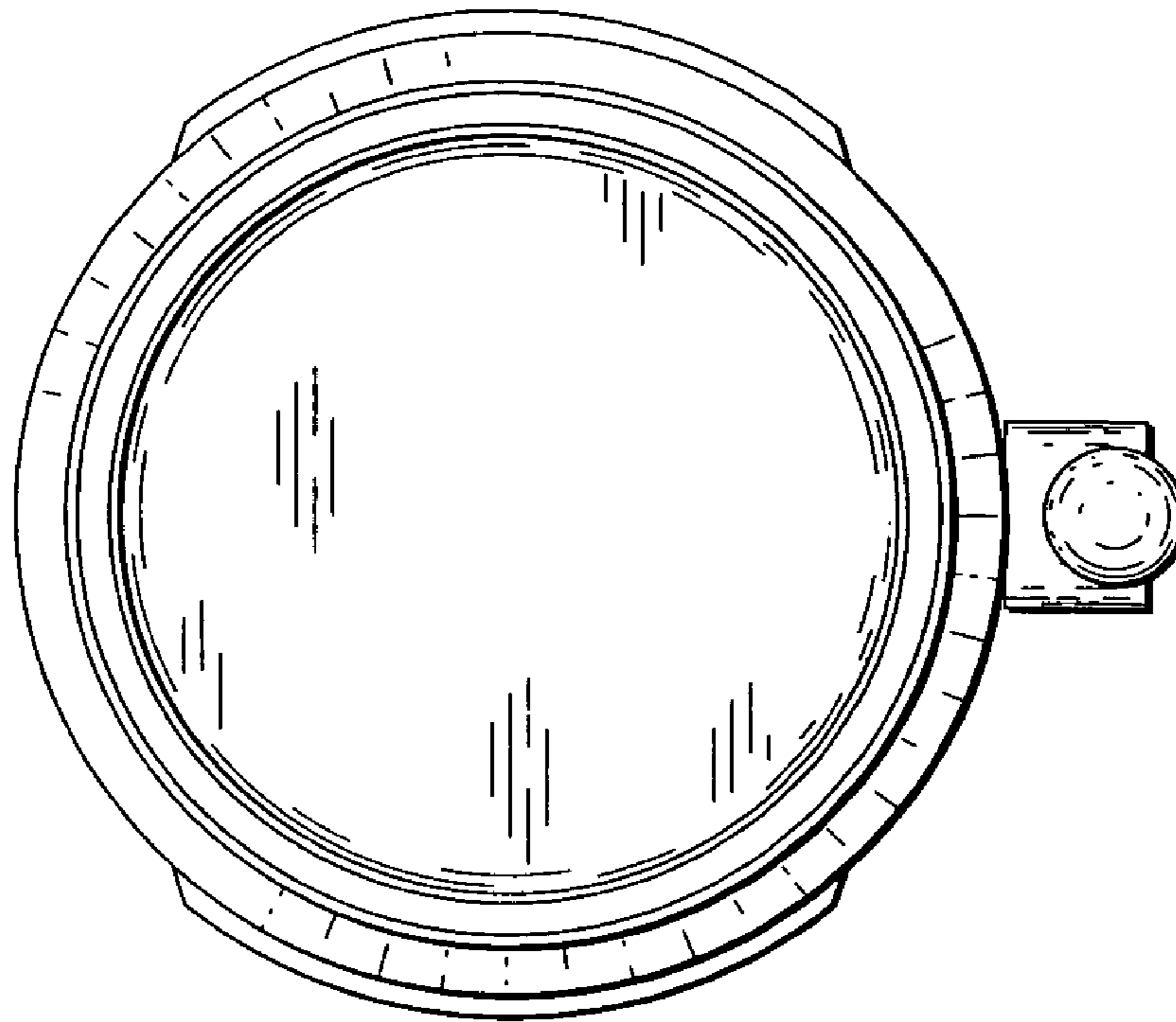
*Fig. 3*



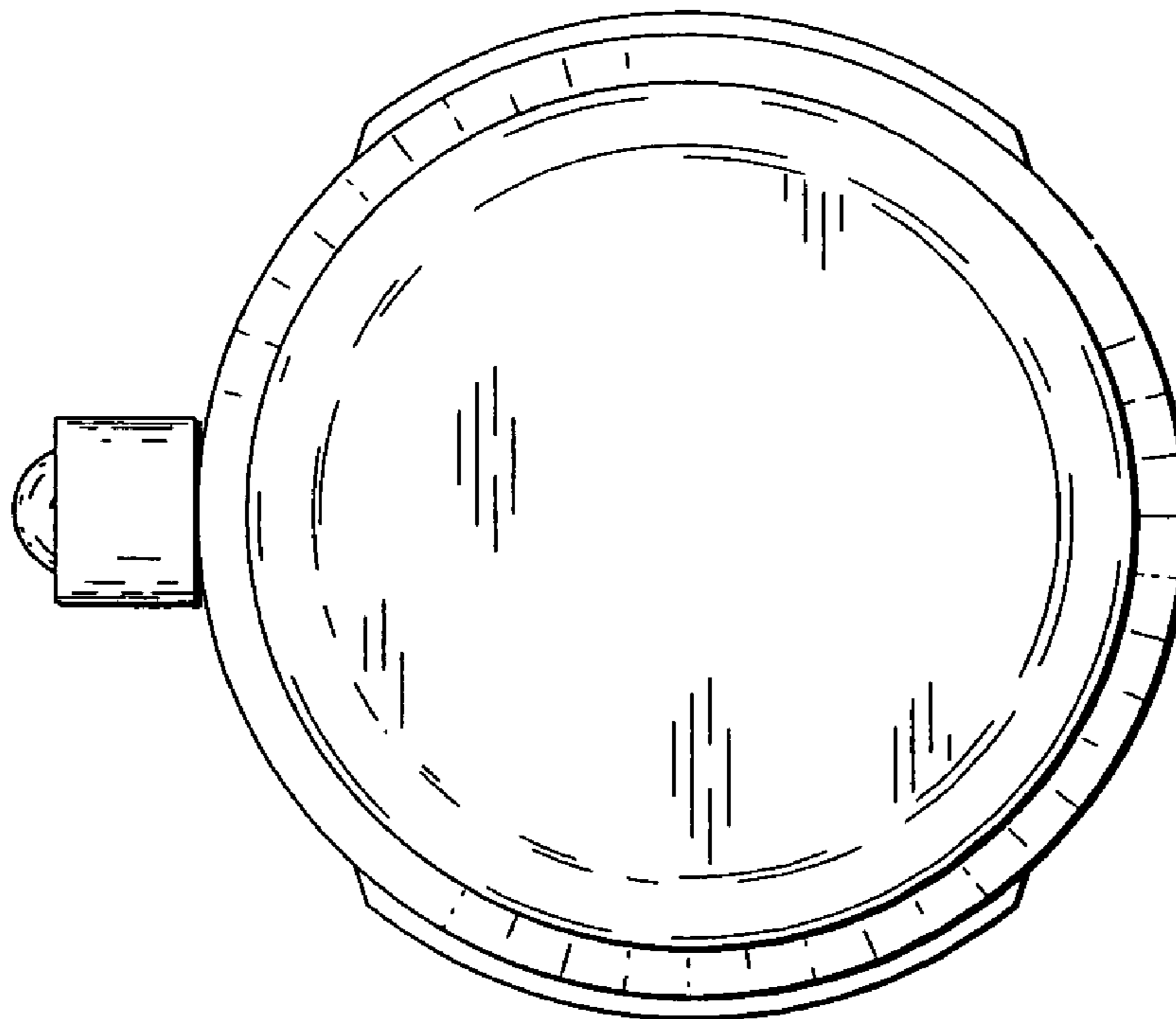
*Fig. 4*



*Fig. 5*



*Fig. 6*



*Fig. 7*