



US00D567586S

(12) **United States Design Patent**
Brown

(10) **Patent No.:** **US D567,586 S**

(45) **Date of Patent:** **** Apr. 29, 2008**

(54) **PACK CUP**

(75) Inventor: **Dennis Brown**, Logan, UT (US)

(73) Assignee: **Aquamira Technologies, Inc.**, Logan, UT (US)

(**) Term: **14 Years**

(21) Appl. No.: **29/249,458**

(22) Filed: **Oct. 6, 2006**

(51) **LOC (8) Cl.** **07-01**

(52) **U.S. Cl.** **D7/509; D7/500**

(58) **Field of Classification Search** D7/500,
D7/536, 509-511, 523, 584, 602, 507; D9/417,
D9/430, 519, 522, 549; D11/152, 153; 215/387,
215/DIG. 7; 206/217, 822; 220/254.5, 703,
220/715, 592.16, 592.17; D34/1

See application file for complete search history.

(56) **References Cited**

U.S. PATENT DOCUMENTS

D132,178	S	*	4/1942	Holslag	D34/1
2,444,447	A	*	7/1948	Josselyn	220/763
2,814,380	A	*	11/1957	Thaxton, Jr.	206/547
3,813,003	A	*	5/1974	Bernazzani	220/772
4,505,390	A	*	3/1985	Kirk, Jr.	206/547
D332,679	S	*	1/1993	Hines	D34/6
D389,700	S	*	1/1998	Bingham	D7/509
5,899,354	A	*	5/1999	Garcia	220/669
D441,511	S	*	5/2001	Windle	D34/1
D446,684	S	*	8/2001	Price	D7/509
D468,204	S	*	1/2003	Gittins et al.	D9/430
D507,932	S	*	8/2005	Cintron et al.	D7/396.6
D518,685	S	*	4/2006	Aalberts	D7/590

OTHER PUBLICATIONS

MSR Titan Cup. Available from Amazon.com at <http://www.amazon.com/o/ASIN/B000FBYN14/105-6167645-2034052?SubscriptionID=0> at least as early as Feb. 27, 2007.

Government Contractor GI Canteen Cup. Available from www.usmilitarysurplus.com at http://www.usmilitarysurplus.com/surpluscatalog/product_info.php?cPath=74&products_id=556&sesid=87767c0dcde53fc35e4b at least as early as Mar. 7, 2007.

Arctic Canteen Cup. Available from Coleman's Surplus at <http://www.galleria-e.com/cgi-bin/Colemans.storefront/en/Product/316701> at least as early as Mar. 7, 2007.

* cited by examiner

Primary Examiner—Philip S. Hyder

Assistant Examiner—Cynthia Underwood

(74) *Attorney, Agent, or Firm*—Holme Roberts & Owen LLP

(57) **CLAIM**

The ornamental design for a pack cup, as shown.

DESCRIPTION

FIG. 1 is a front perspective view of the pack cup.

FIG. 2 is a front view of the pack cup.

FIG. 3 is a back view of the pack cup.

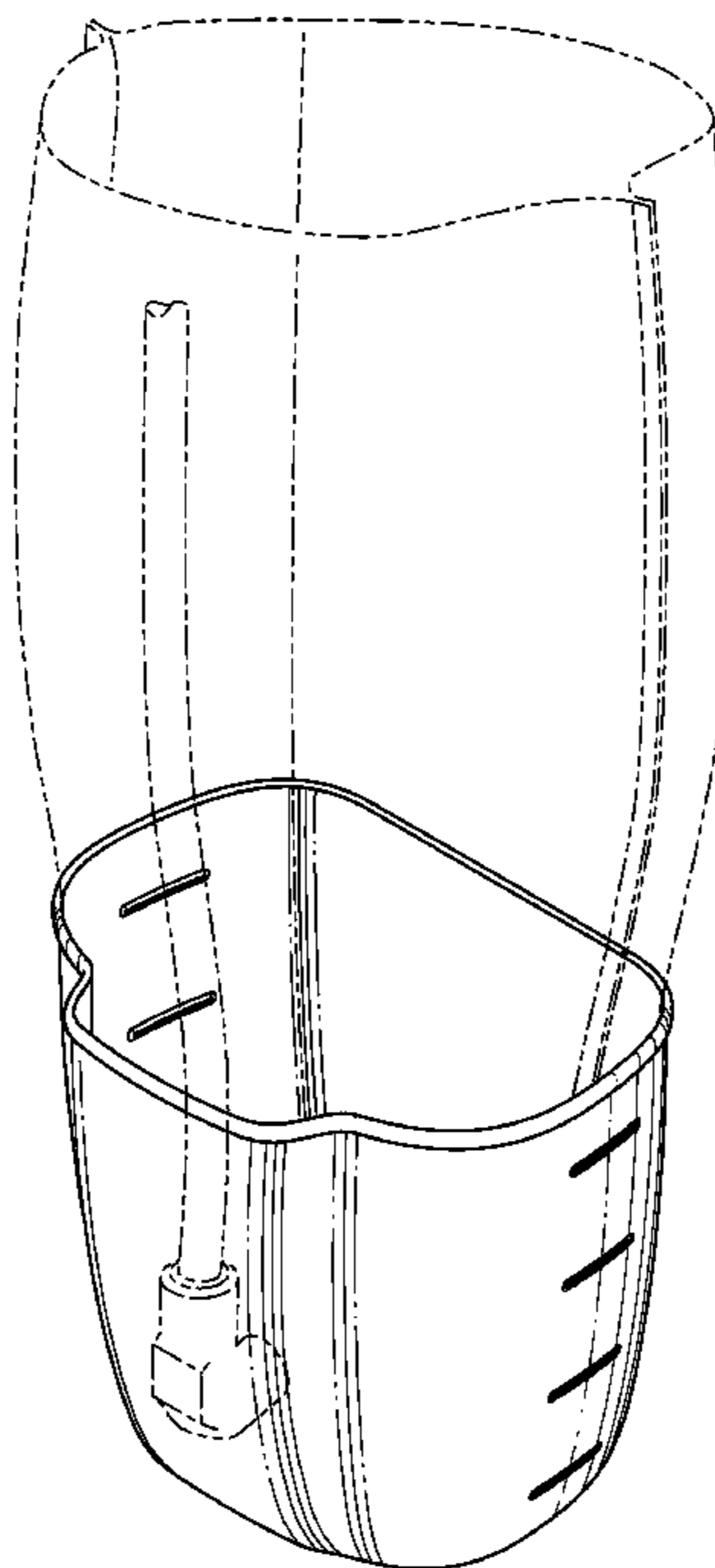
FIG. 4 is a left side view of the pack cup, the right side being a mirror image.

FIG. 5 is a top side view of the pack cup; and,

FIG. 6 is a bottom view of the pack cup.

The phantom lines in FIG. 1 are for illustrative purposes only and form no part of the claimed design.

1 Claim, 4 Drawing Sheets



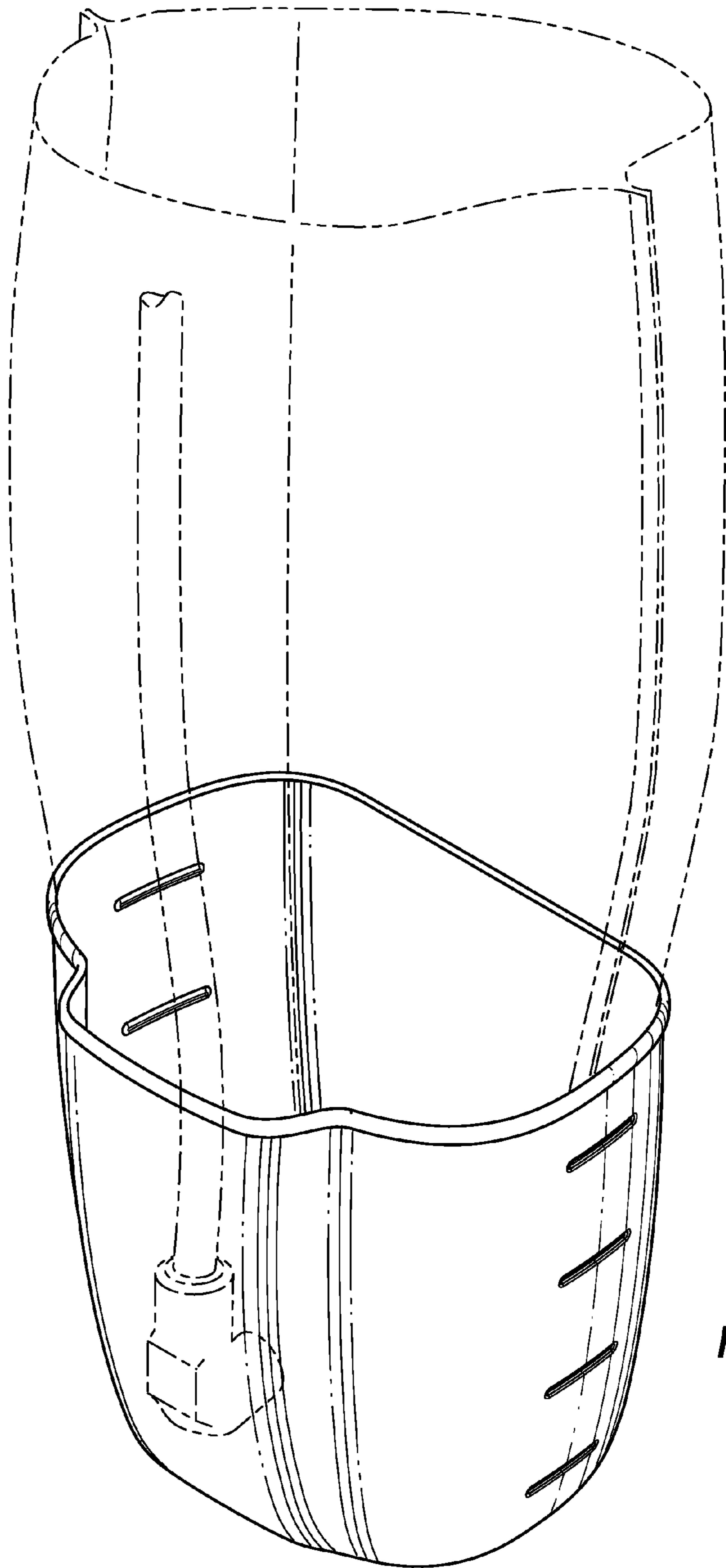


FIG. 1

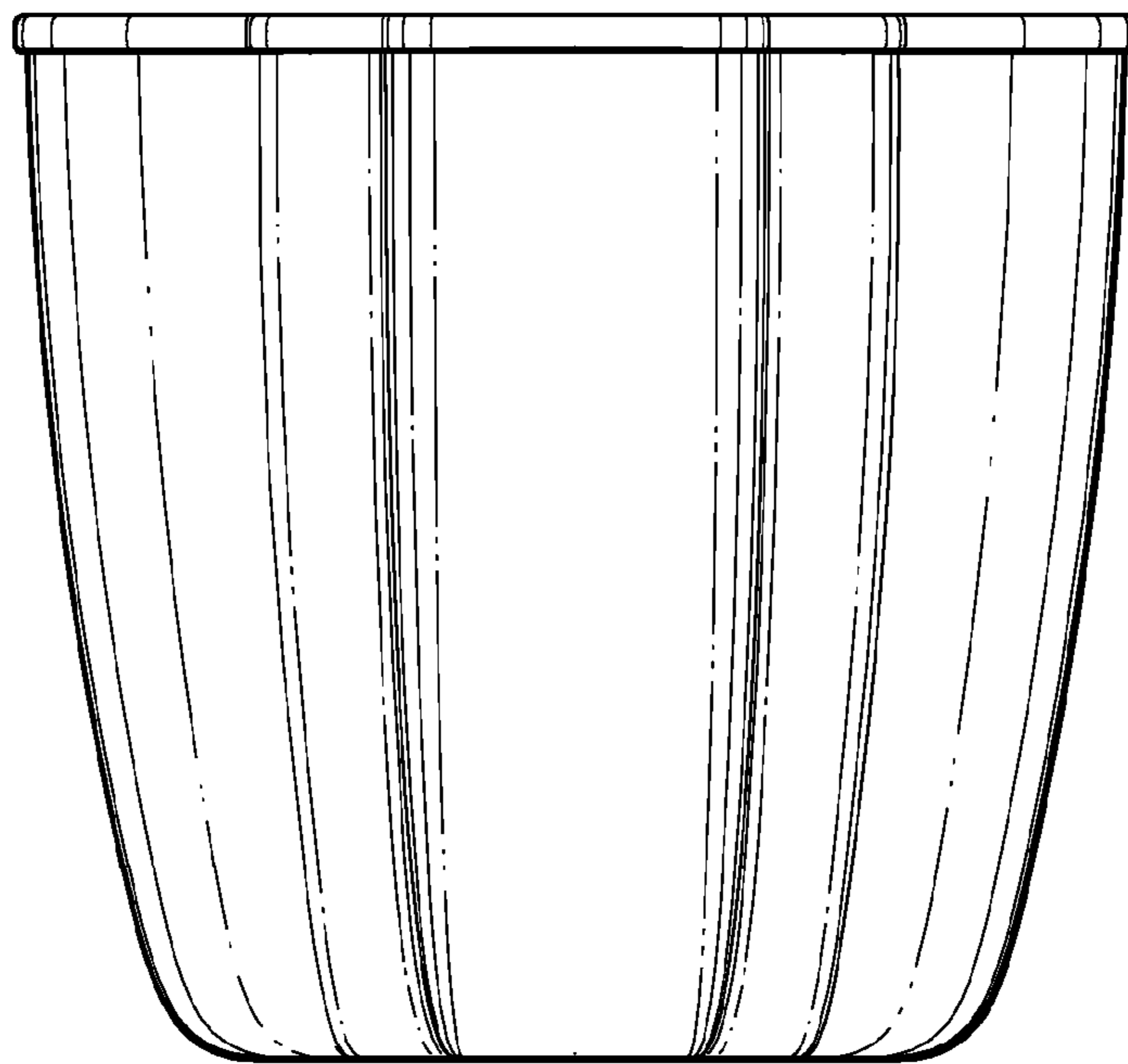


FIG. 2

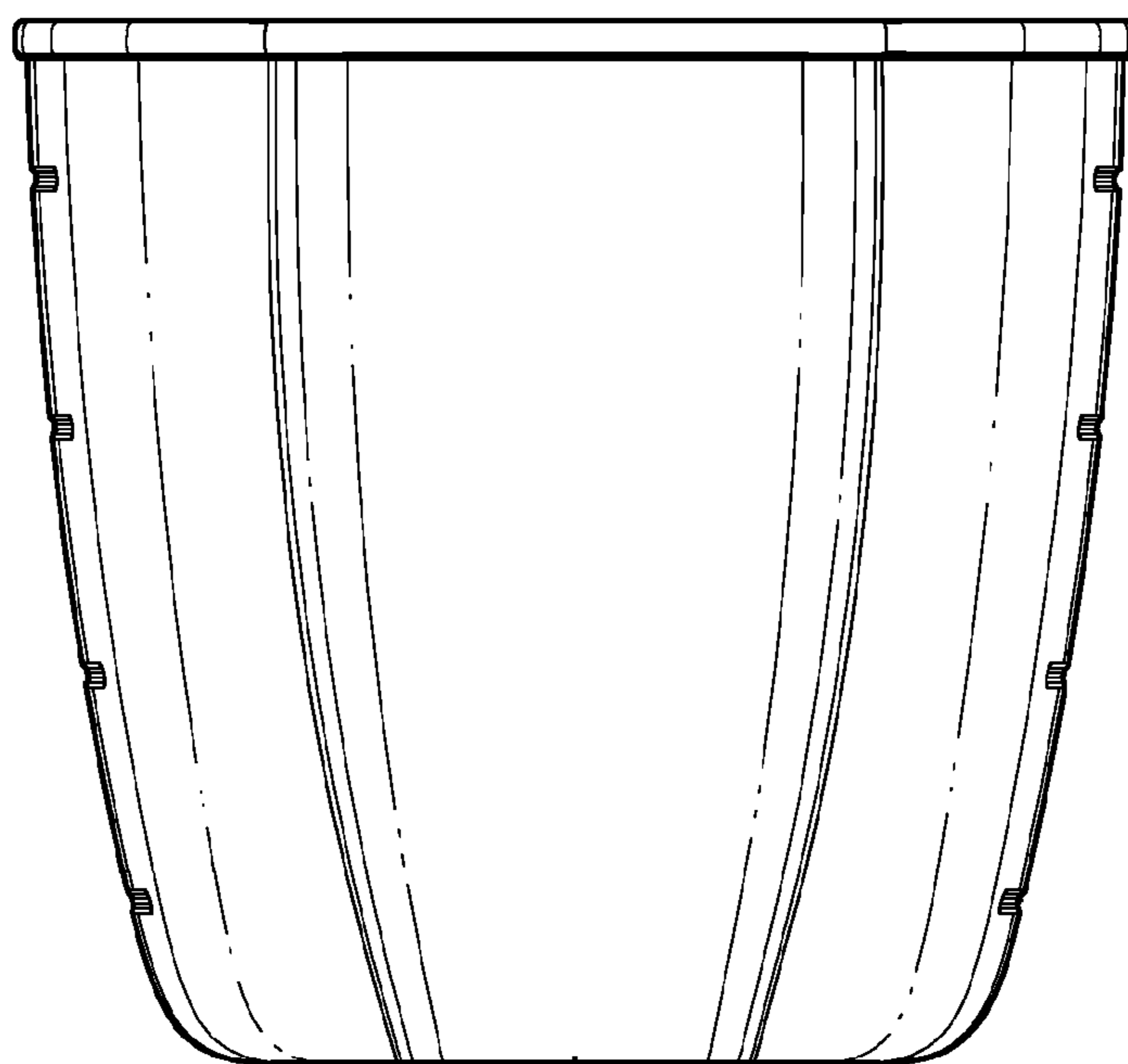


FIG. 3

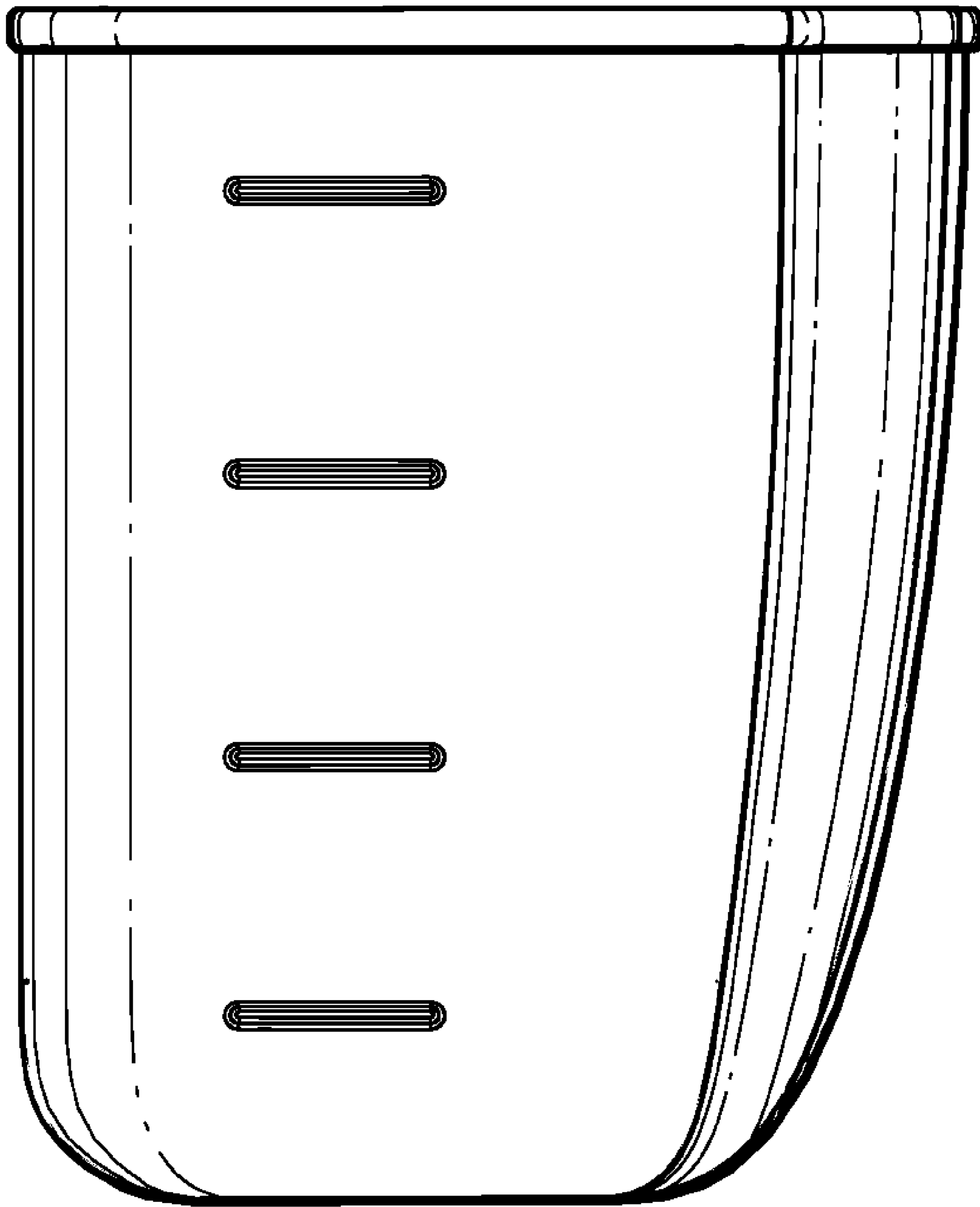


FIG. 4

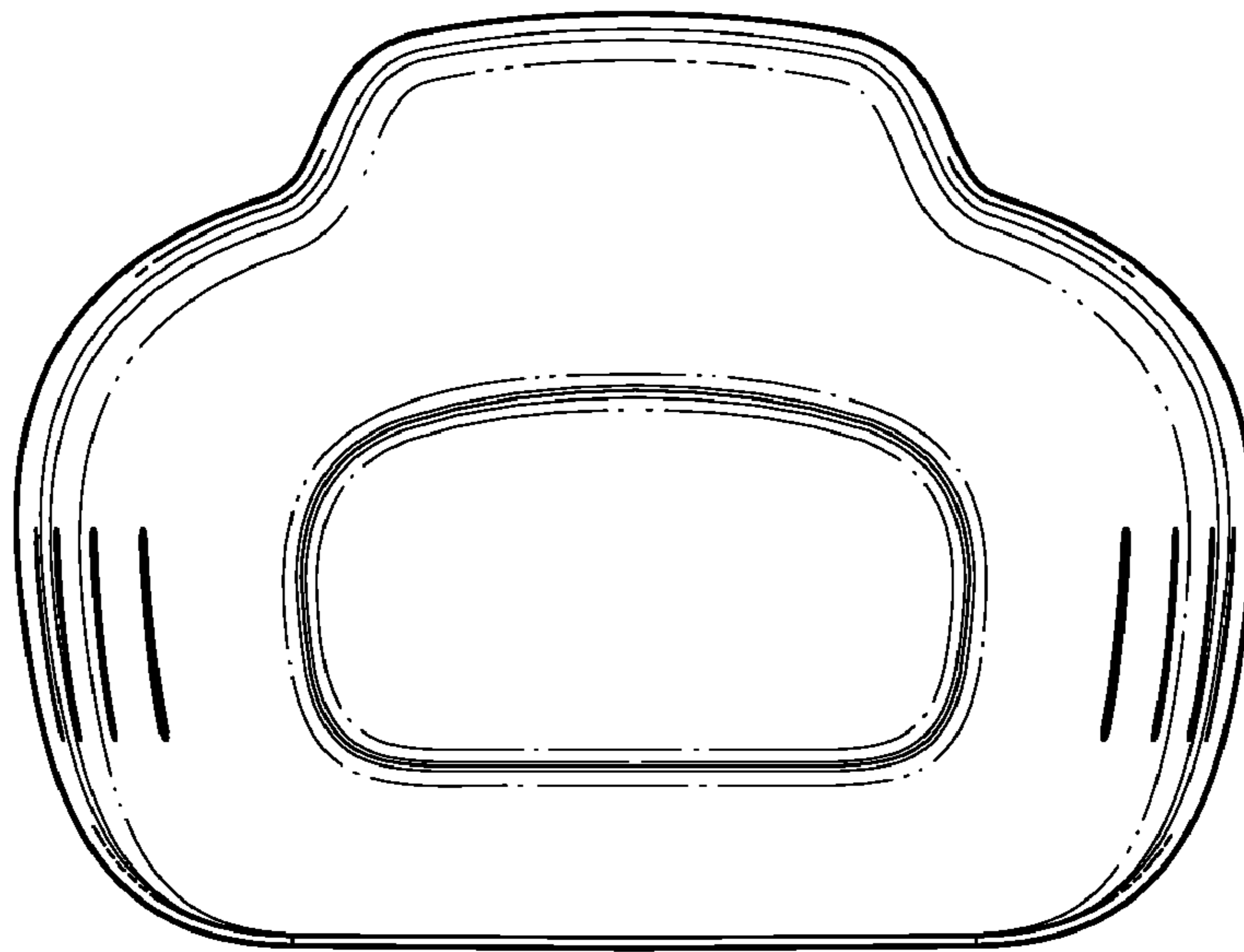


FIG. 5

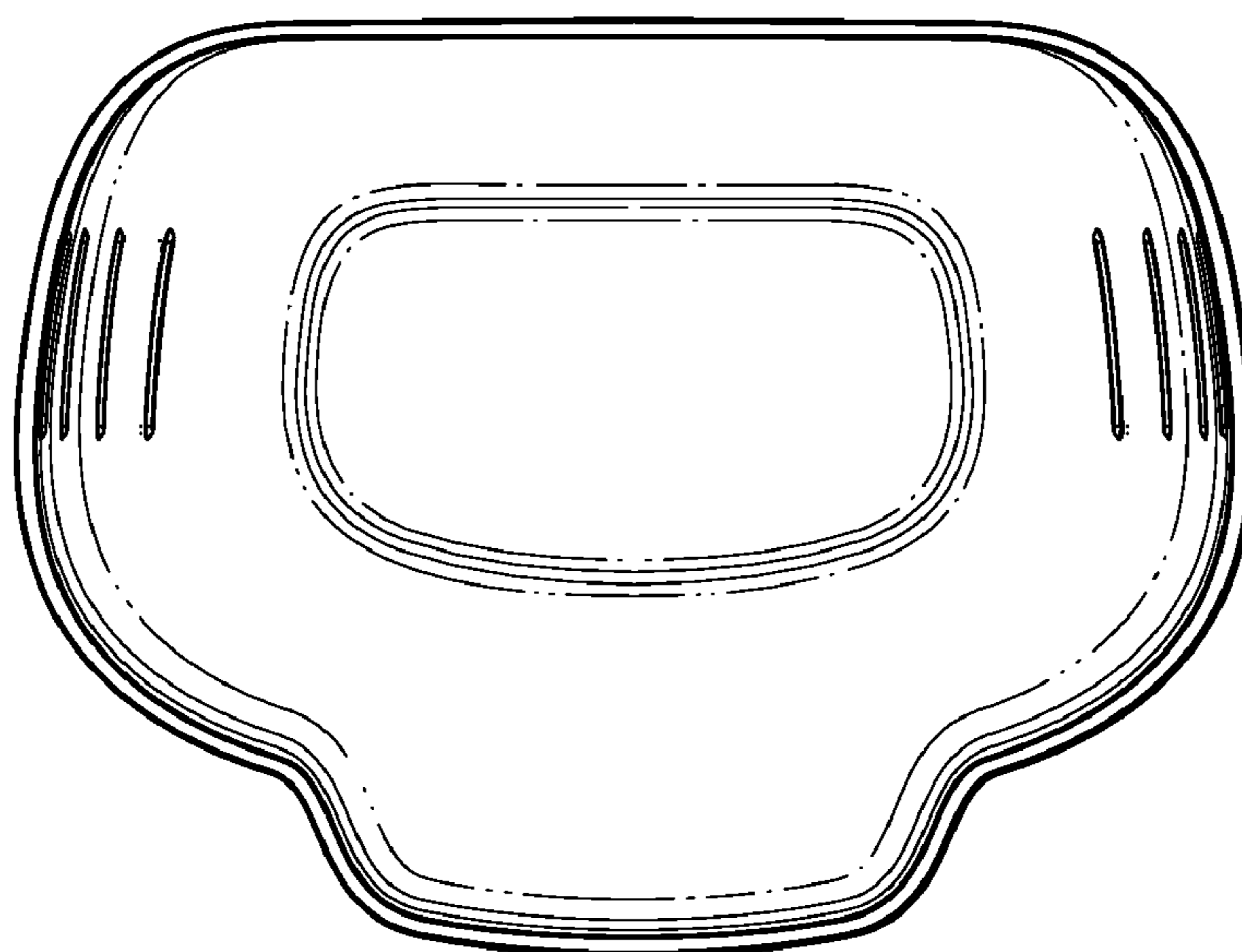


FIG. 6