



(12) **United States Design Patent**  
**Kovach**

(10) **Patent No.:** **US D567,585 S**  
(45) **Date of Patent:** **\*\* Apr. 29, 2008**

(54) **LAZY SUSAN WITH REMOVABLE PEDESTAL**

(76) Inventor: **Kenneth D Kovach**, 170 Kenny La., Suite 1, Winchester, VA (US) 22602

(\*\*) Term: **14 Years**

(21) Appl. No.: **29/280,783**

(22) Filed: **Jun. 7, 2007**

(51) **LOC (8) Cl.** ..... **07-01**

(52) **U.S. Cl.** ..... **D7/501**

(58) **Field of Classification Search** ..... D7/500,  
D7/505, 546, 553.6, 554.1, 552.2, 590, 600.2,  
D7/600.4, 701-708; D6/460; 206/562;  
211/131.1, 77, 78; 220/506, 574; 219/732;  
235/454; 108/94

See application file for complete search history.

(56) **References Cited**

**U.S. PATENT DOCUMENTS**

1,878,302 A \* 9/1932 Tourtois ..... 211/77  
D96,450 S \* 8/1935 Daum ..... D7/505

(Continued)

*Primary Examiner*—Philip S. Hyder  
*Assistant Examiner*—Cynthia Underwood

(57) **CLAIM**

The ornamental design for a lazy susan with removable pedestal and optional food containers, as shown and described.

**DESCRIPTION**

FIG. 1 is an isometric view of the lazy susan with removable pedestal, with the central pedestal disposed over the lazy susan handle.

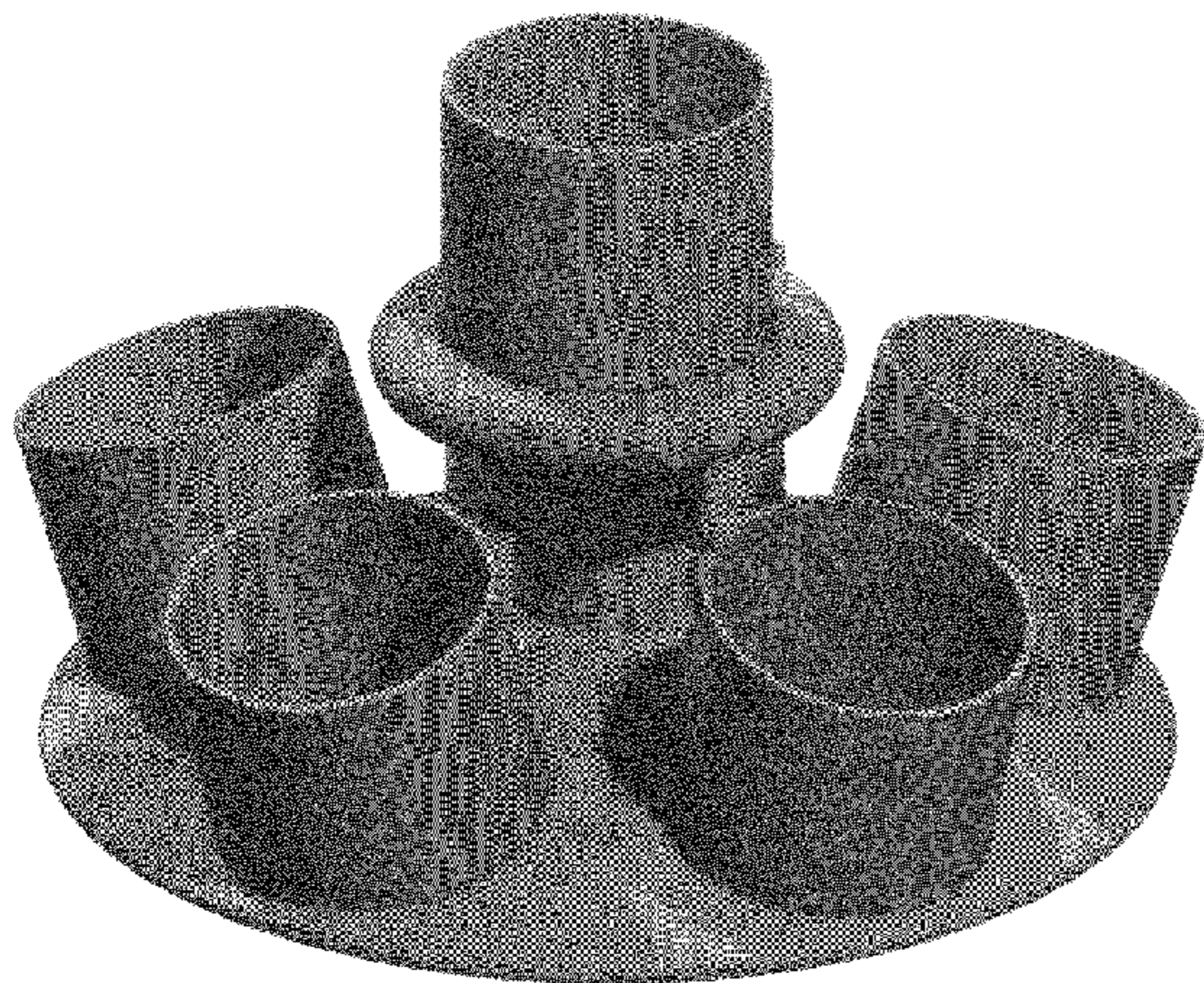


FIG. 2 is an isometric view of the lazy susan with removable pedestal, with the central pedestal removed and disposed above the lazy susan handle.

FIG. 3 is a front elevational view of the lazy susan with removable pedestal, with the central pedestal removed and disposed over the lazy susan handle.

FIG. 4 is a front elevational view of the lazy susan with removable pedestal, with the central pedestal removed and disposed above the lazy susan handle.

FIG. 5 is a rear elevational view of the lazy susan with removable pedestal, with the central pedestal disposed over the lazy susan handle.

FIG. 6 is a rear elevational view of the lazy susan with removable pedestal, with the central pedestal removed and disposed above the lazy susan handle.

FIG. 7 is a right side elevation view of the lazy susan with removable pedestal, with the central pedestal disposed over the lazy susan handle.

FIG. 8 is a right side elevation view of the lazy susan with removable pedestal, with the central pedestal removed and disposed above the lazy susan handle.

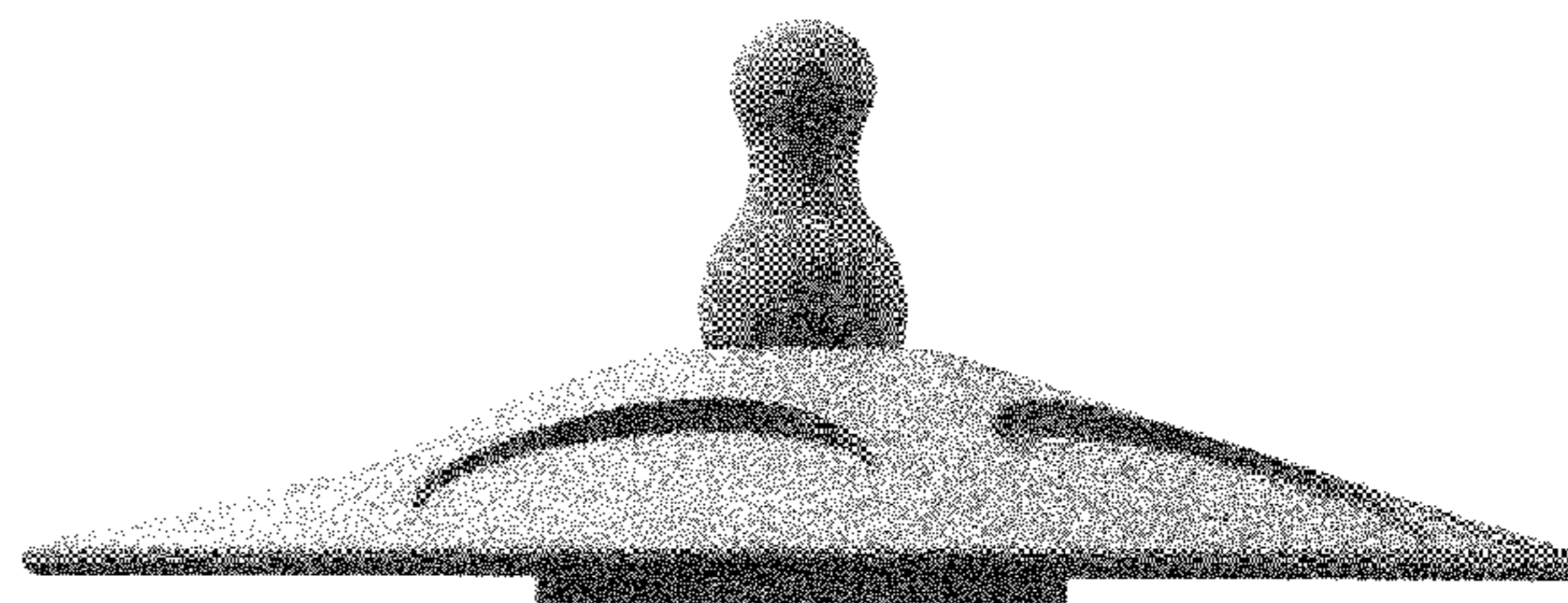
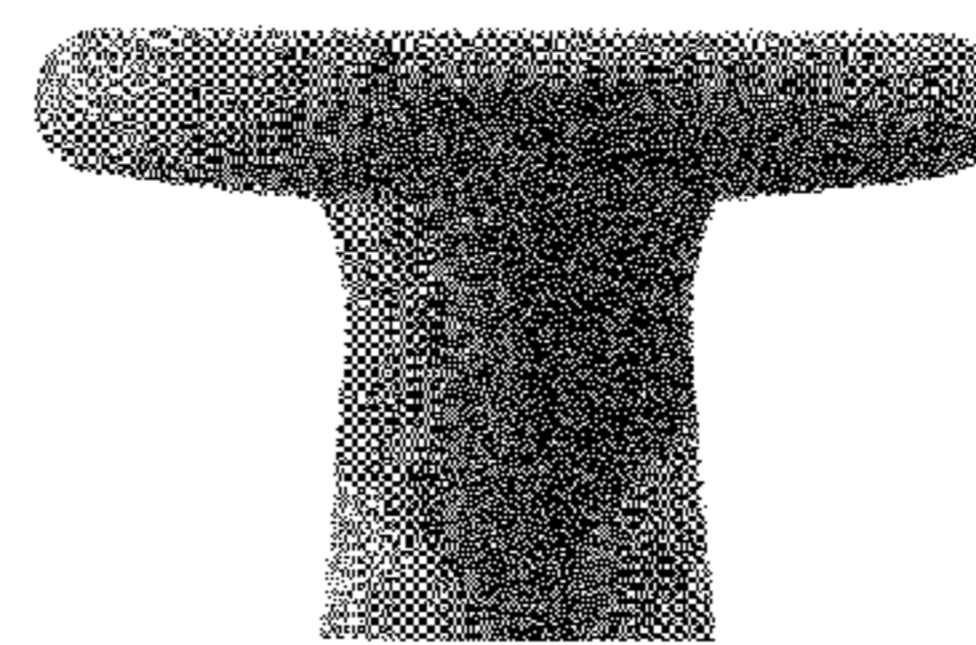
FIG. 9 is a left side elevation view of the lazy susan with removable pedestal, with the central pedestal disposed over the lazy susan handle.

FIG. 10 is a left side elevation view of the lazy susan with removable pedestal, with the central pedestal removed and disposed above the lazy susan handle.

FIG. 11 is a front elevational view of the lazy susan with removable pedestal, with the central pedestal disposed over the lazy susan handle; and,

FIG. 12 is a front elevational view of the lazy susan with removable pedestal, with the central pedestal removed and disposed above the lazy susan handle.

**1 Claim, 12 Drawing Sheets**



# US D567,585 S

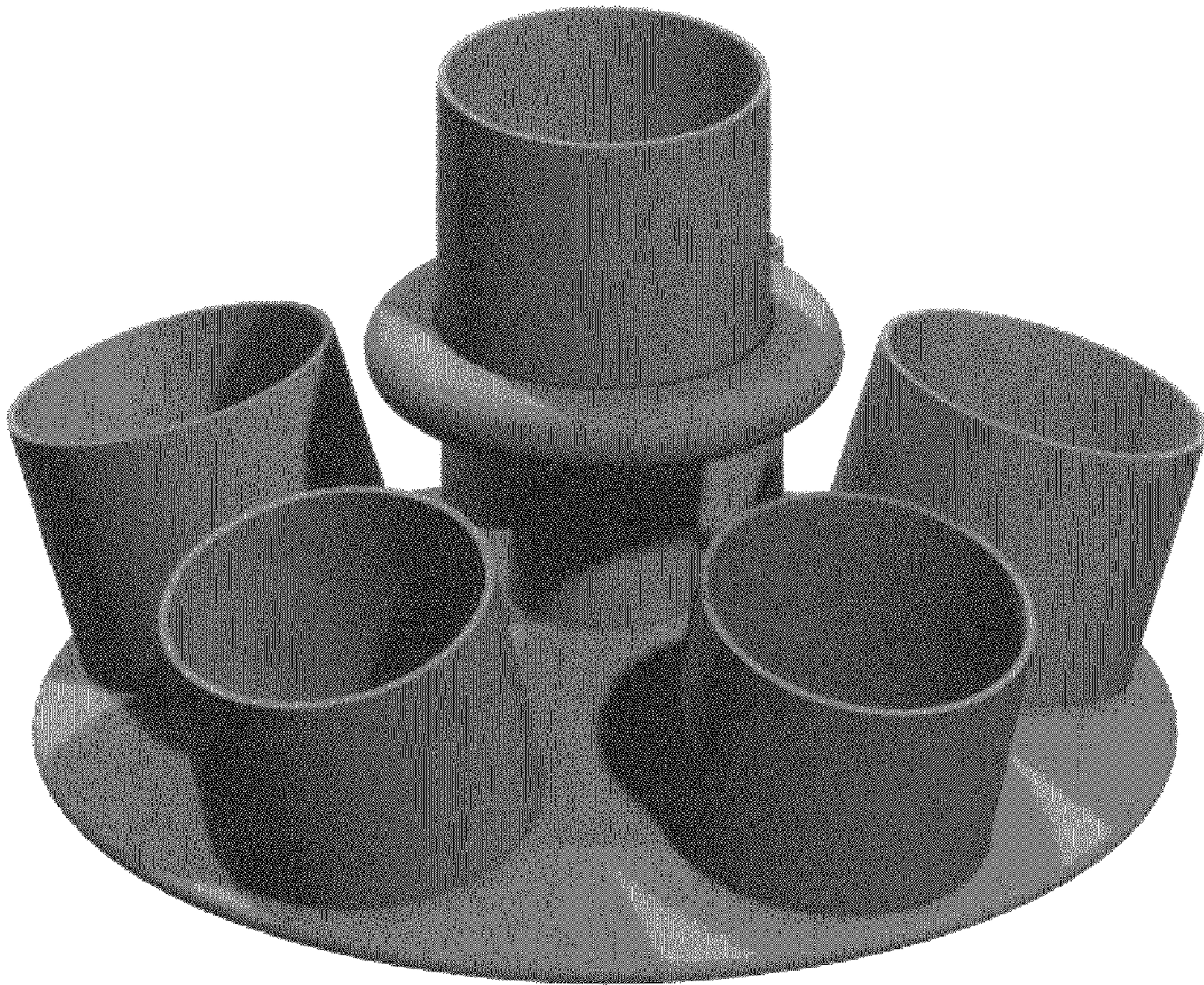
Page 2

---

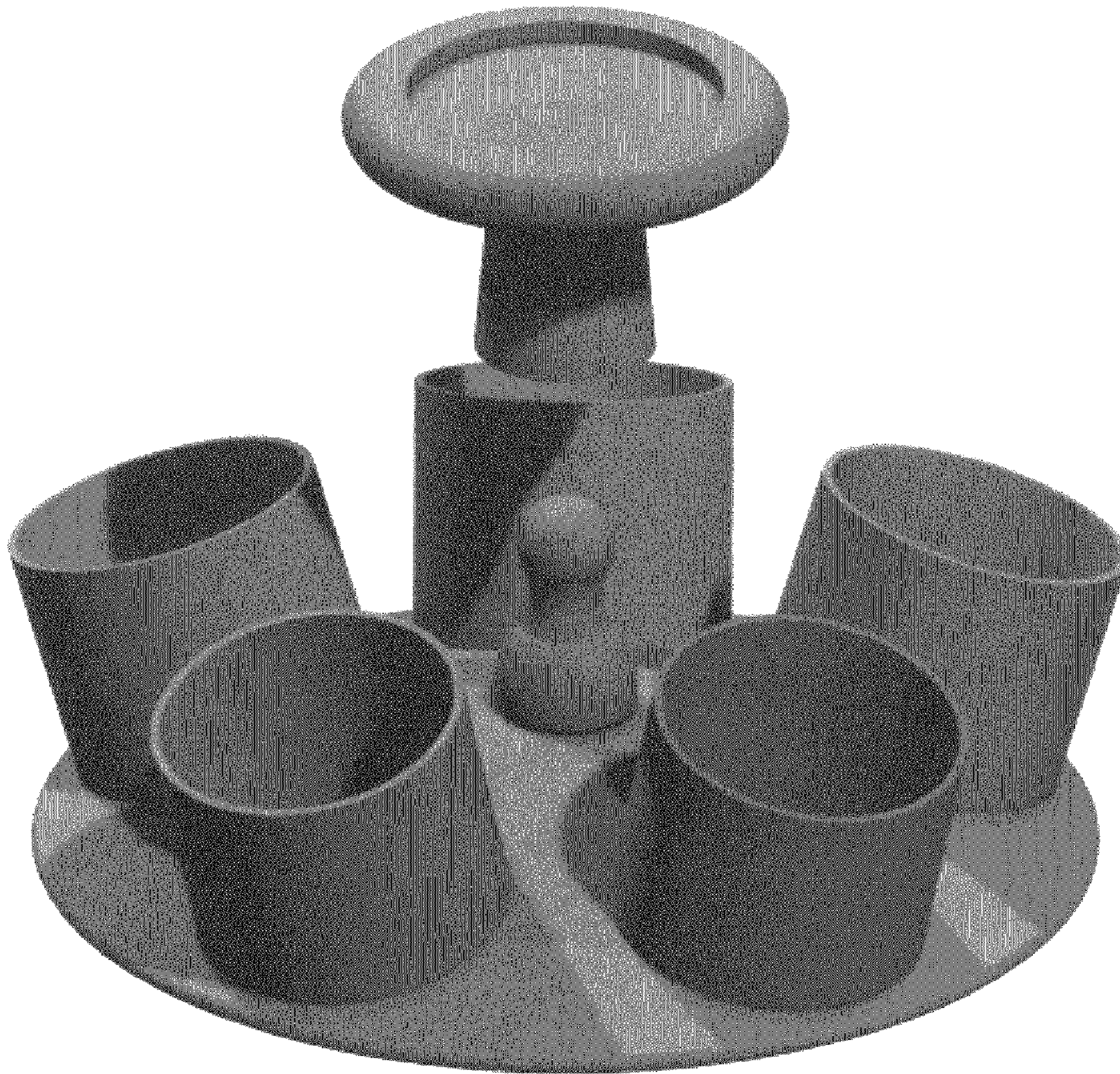
## U.S. PATENT DOCUMENTS

D149,046 S	3/1948	Blumenthal et al.	D312,949 S *	12/1990	Persch .....	D7/598
D155,327 S	9/1949	Zaikner	5,299,695 A *	4/1994	Taylor, Jr. ....	211/77
D160,688 S	10/1950	Brock	D401,810 S	12/1998	Swift	
D232,793 S *	9/1974	Bennett .....	D406,015 S *	2/1999	Tisdale .....	D7/614
3,951,079 A	4/1976	Tolleson	5,894,944 A	4/1999	Swift	
3,964,629 A	6/1976	McCabe	D491,768 S	6/2004	Henry	
D301,956 S	7/1989	Newton	D504,284 S *	4/2005	Corona et al. ....	D7/600.4
D304,658 S	11/1989	Mattei	D507,933 S	8/2005	Carmichael	
D310,940 S	10/1990	Kastanek				

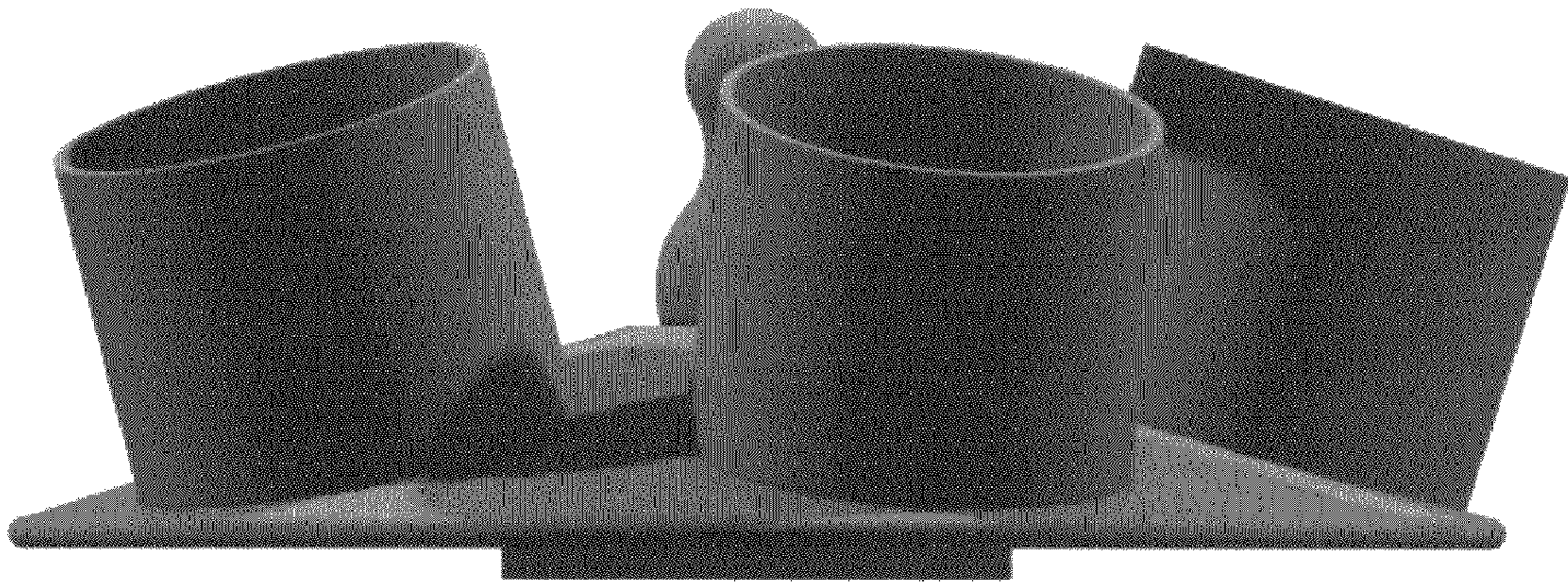
\* cited by examiner



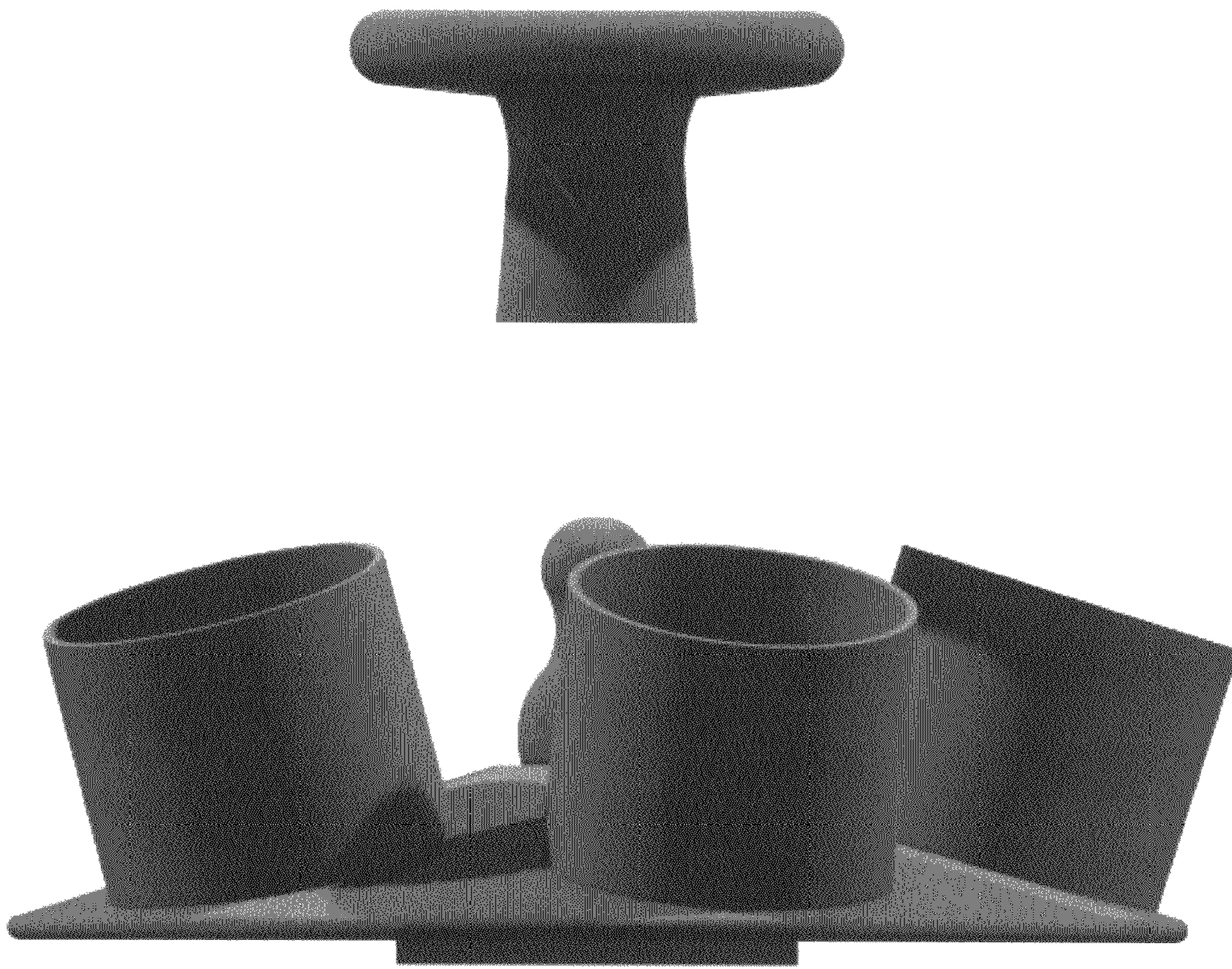
*Fig. 1*



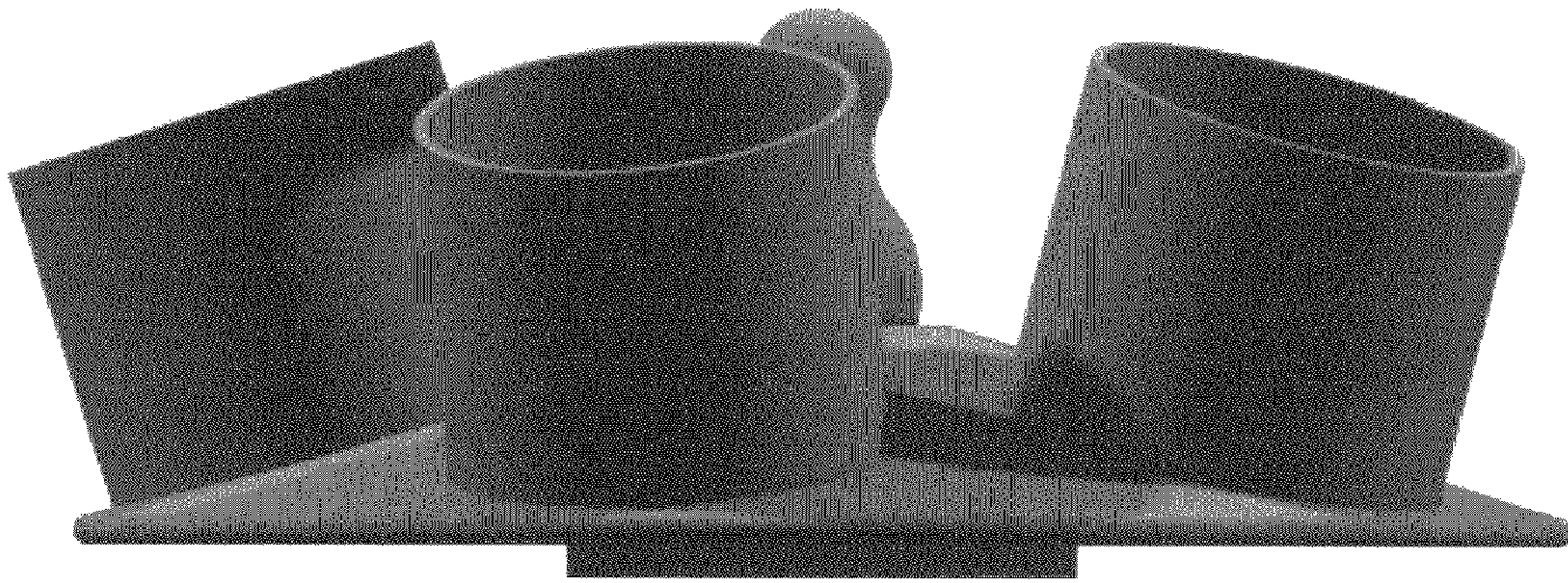
*Fig. 2*



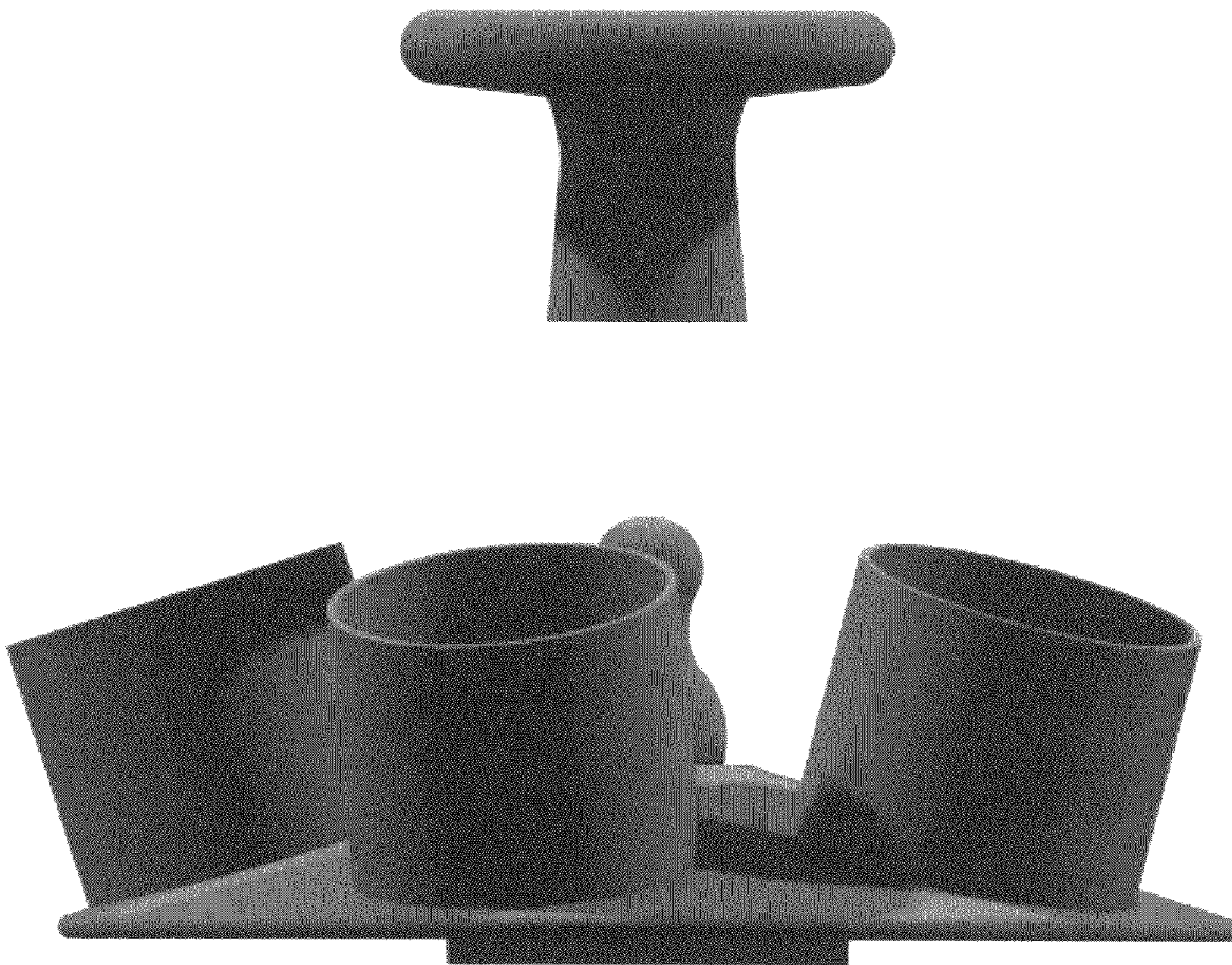
*Fig. 3*



*Fig. 4*

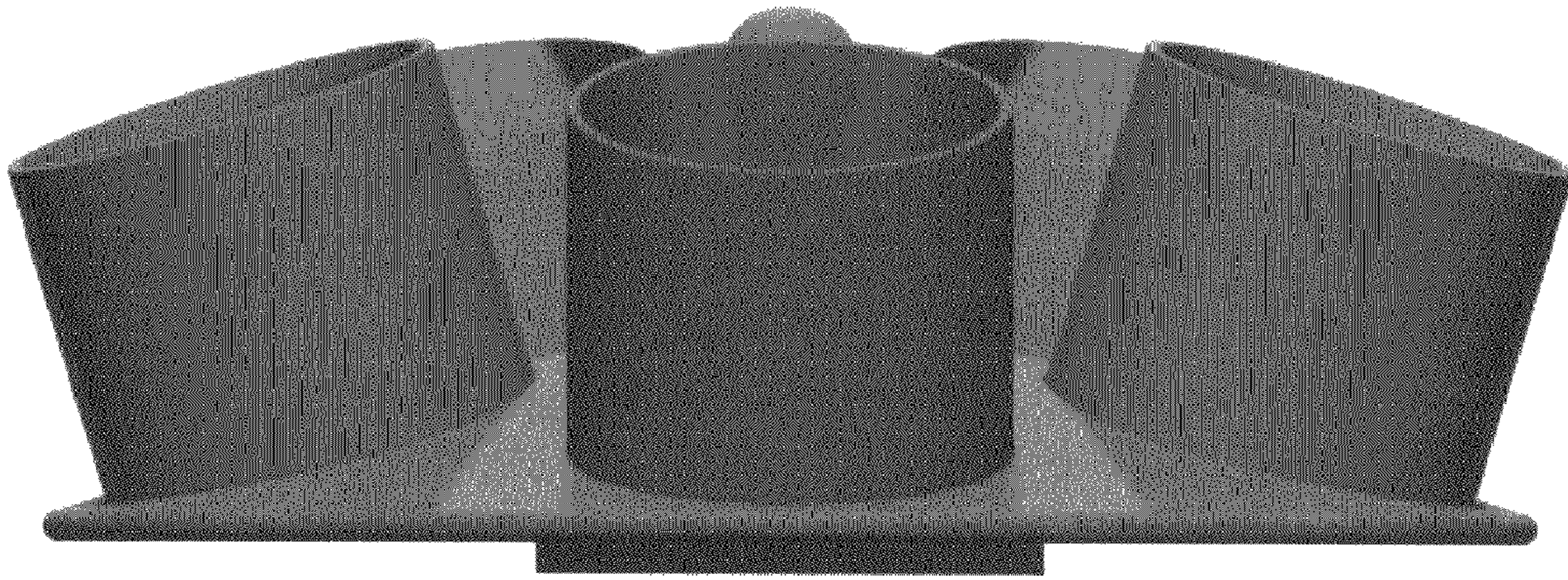


*Fig. 5*

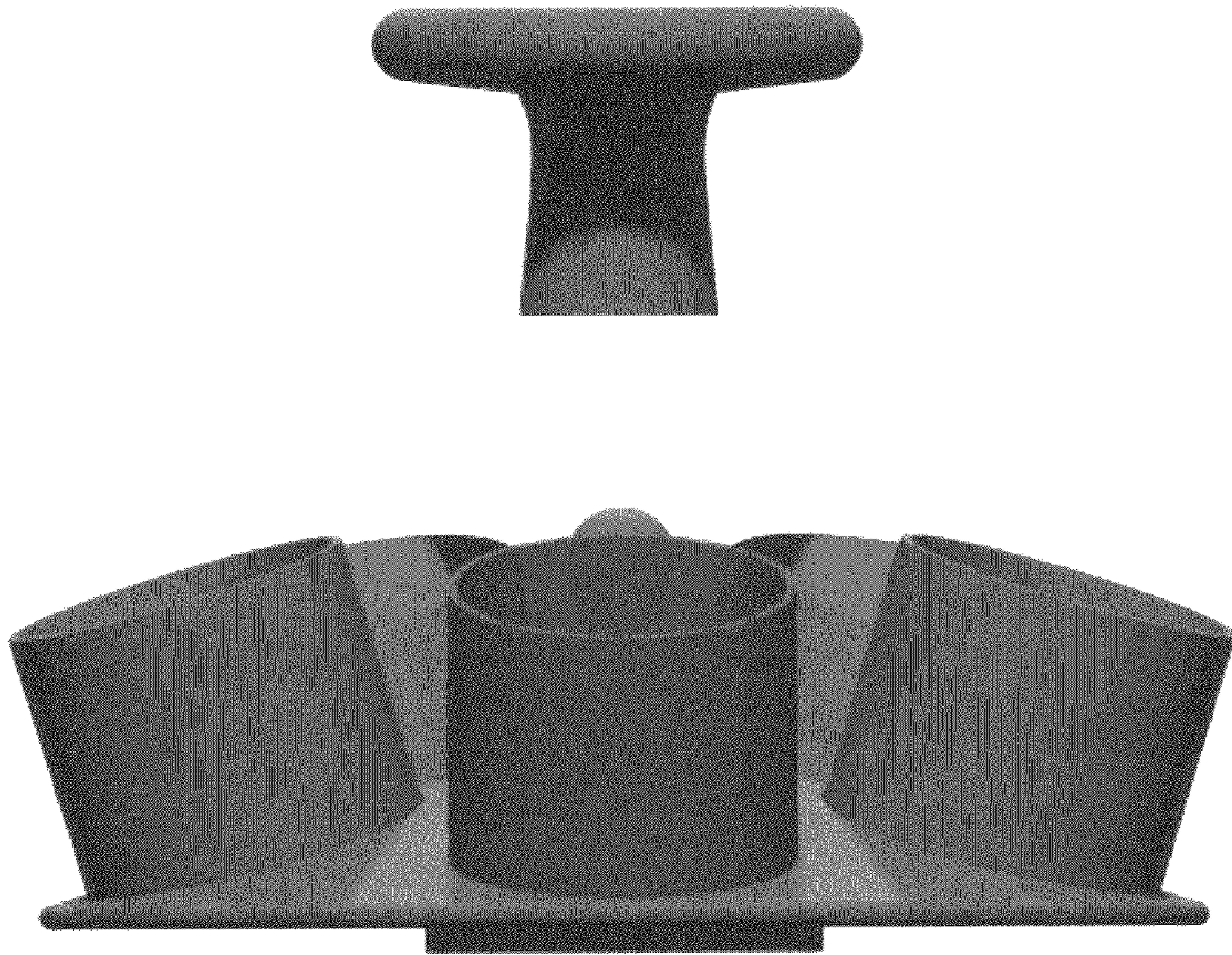


*Fig. 6*

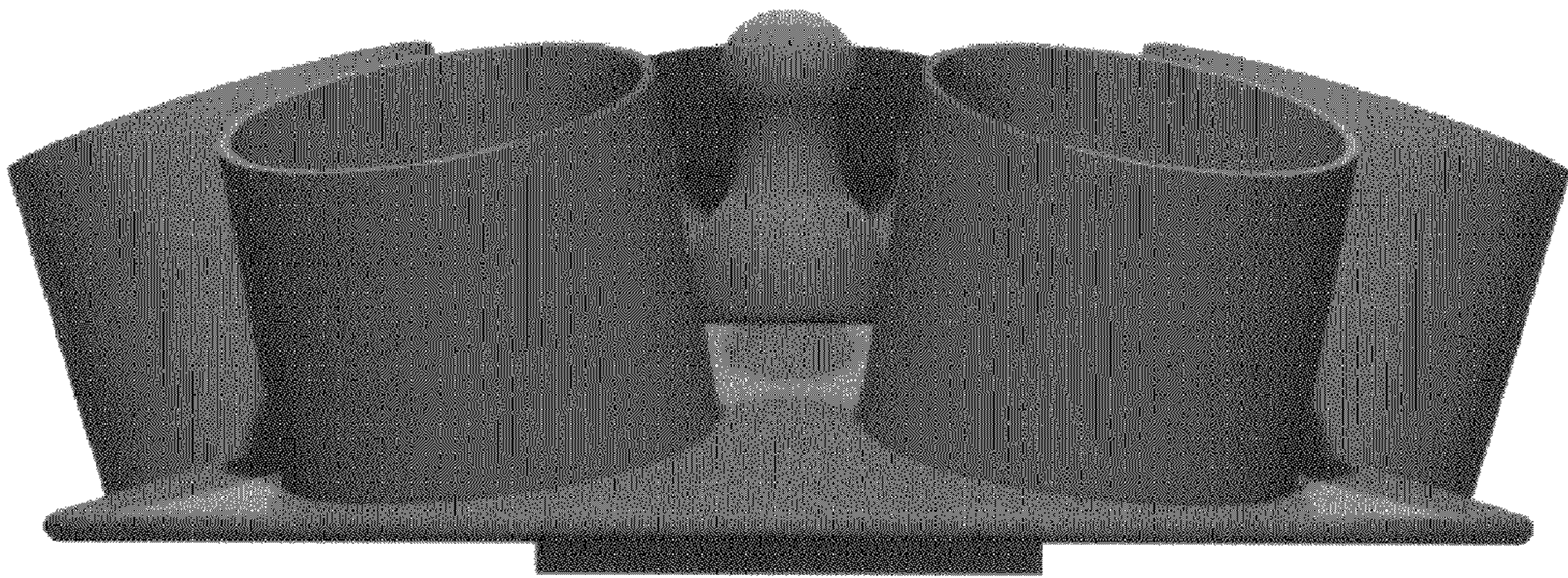




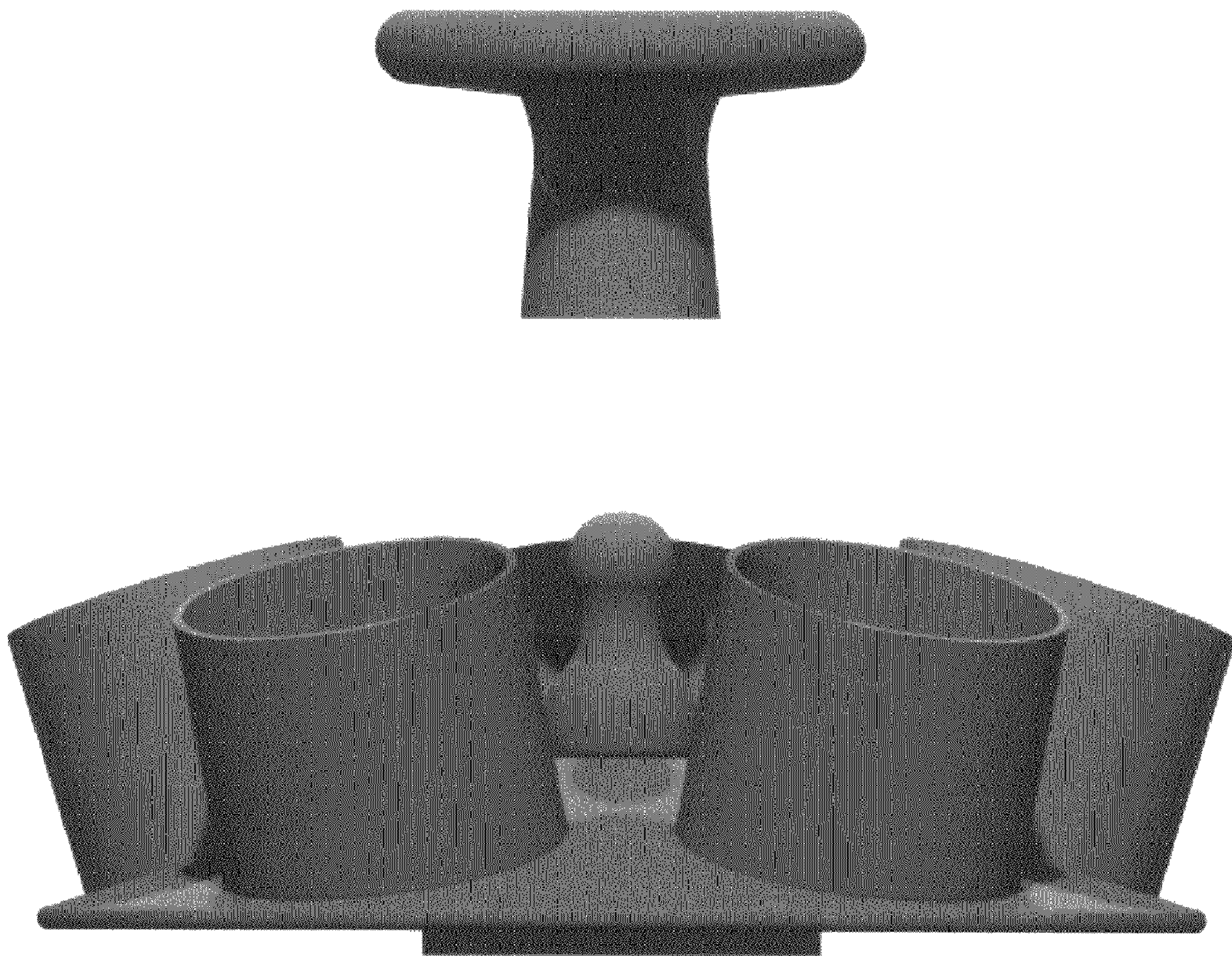
*Fig. 7*



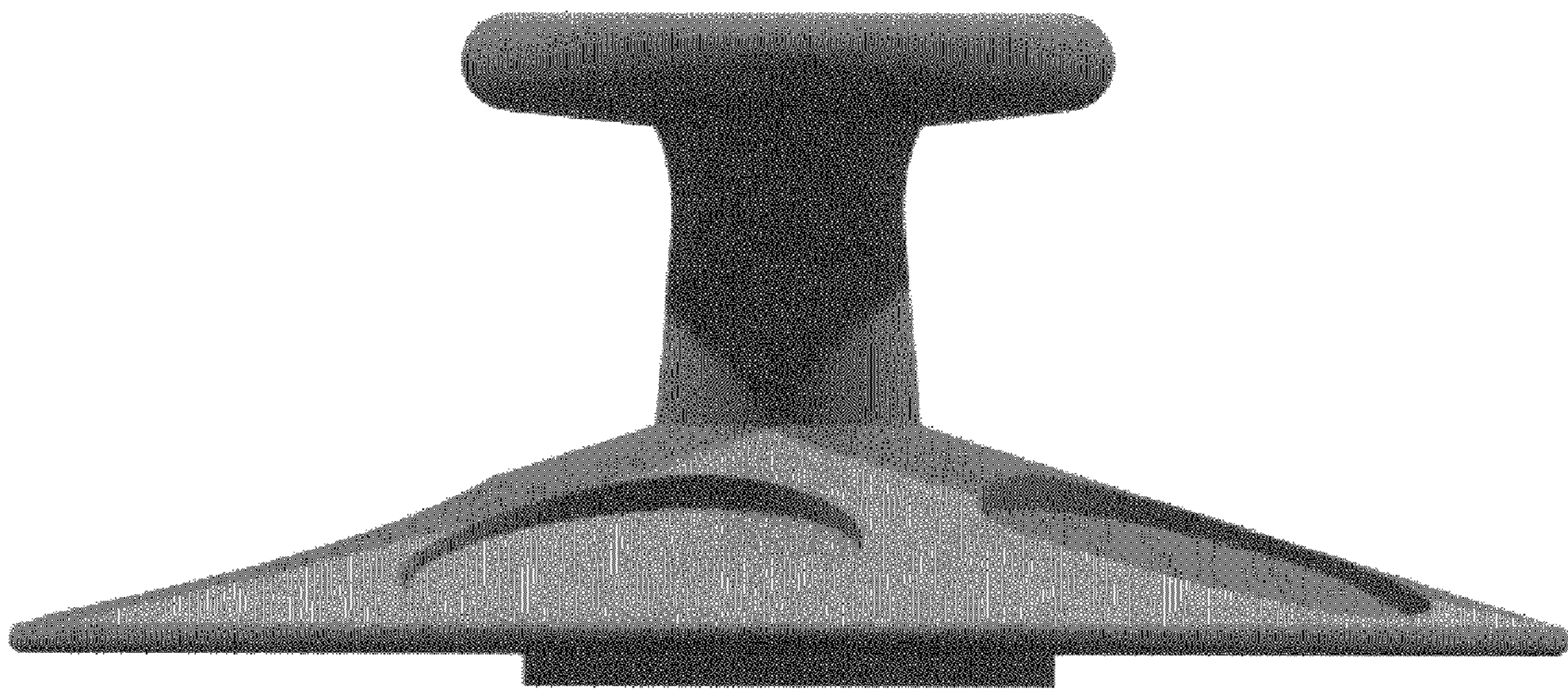
*Fig. 8*



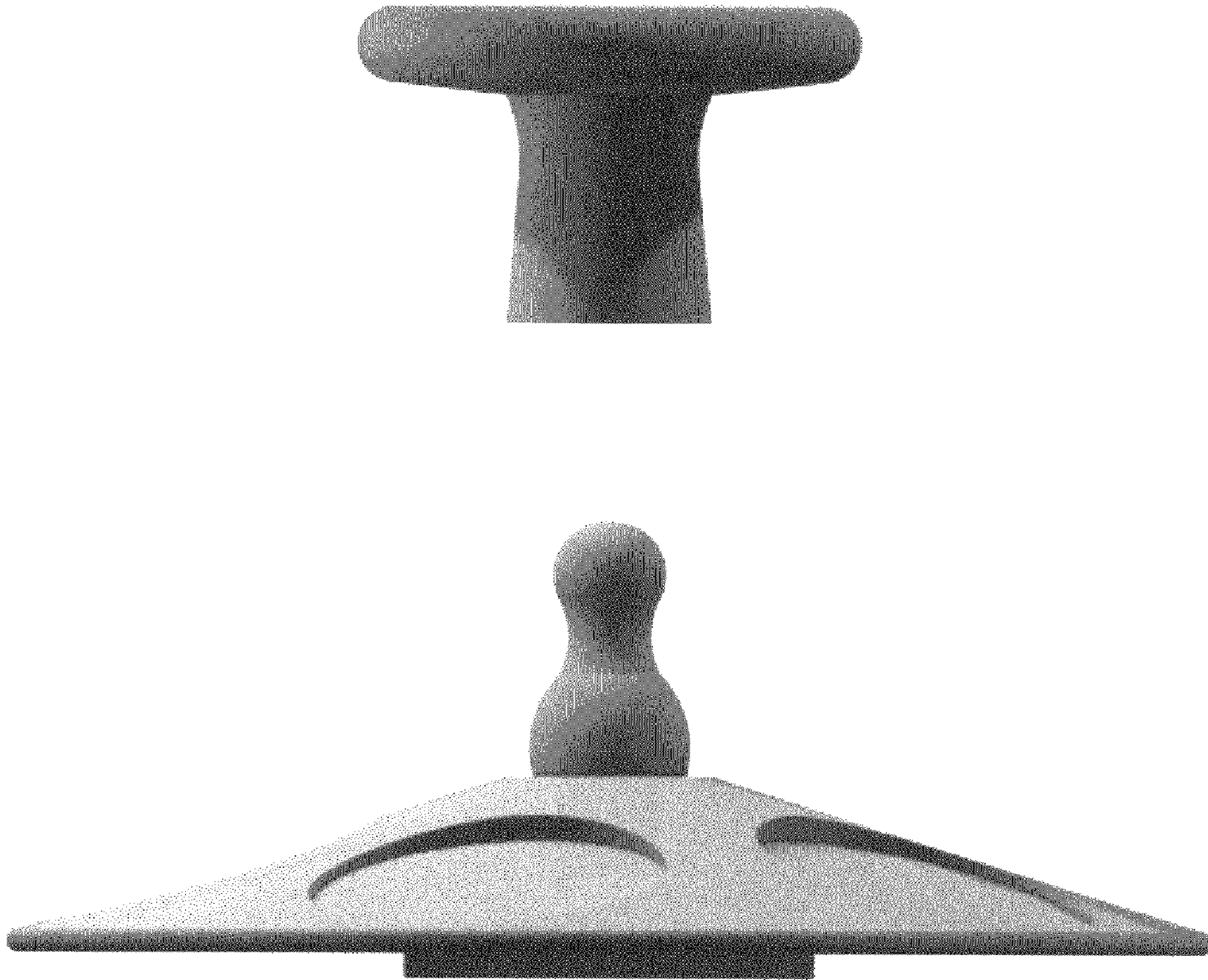
*Fig. 9*



*Fig. 10*



*Fig. 11*



*Fig. 12*